



US00D717762S

(12) **United States Design Patent**
Jeon et al.

(10) **Patent No.:** **US D717,762 S**
(45) **Date of Patent:** **** Nov. 18, 2014**

(54) **TELEPHONE SET**

(71) Applicant: **Samsung Electronics Co., Ltd.**,
Suwon-si (KR)

(72) Inventors: **So-Yoon Jeon**, Guri-si (KR); **Eun-Ae Shally Lee**, Seoul (KR); **Bum-Ho Chun**, Seoul (KR); **Tai-Hyung Ju**, Seoul (KR)

(73) Assignee: **Samsung Electronics Co., Ltd.**,
Suwon-si (KR)

(**) Term: **14 Years**

(21) Appl. No.: **29/479,142**

(22) Filed: **Jan. 13, 2014**

(30) **Foreign Application Priority Data**

Jul. 19, 2013 (KR) 30-2013-0037420

(51) **LOC (10) Cl.** **14-03**

(52) **U.S. Cl.**
USPC **D14/151**; D14/130

(58) **Field of Classification Search**
CPC H04M 1/02; H04M 1/0295; H04M 1/12;
H04M 1/0247; H04M 1/23; H04M 2250/16;
H04M 2250/22
USPC D14/151, 130, 140.7, 140.8, 142, 144,
D14/149, 150, 155, 158, 159, 188, 217, 226,
D14/229, 240, 251–253, 399, 329;
D21/517; 455/557, 575.1, 74.1;
710/303; D13/107, 108, 168; D10/65;
379/88.17, 90.01, 93.17, 387.01,
379/388.02, 419–420.04, 420.02,
379/428.01–428.04, 434–436, 440,
379/446–447, 454–455, 93.23

See application file for complete search history.

(56) **References Cited**

U.S. PATENT DOCUMENTS

D293,440 S * 12/1987 Britz D14/149
D303,114 S * 8/1989 Danielson et al. D14/142

D307,429 S * 4/1990 Pfeifer et al. D14/151
D319,052 S * 8/1991 Major D14/138 R
D319,826 S * 9/1991 Hung D14/142
D320,392 S * 10/1991 Wetzell D14/151
D345,558 S * 3/1994 Hillenmayer et al. D14/151
D346,384 S * 4/1994 Ford et al. D14/151
D412,503 S * 8/1999 Delhaes D14/151
D419,999 S * 2/2000 Delhaes D14/151
D428,000 S * 7/2000 Takayama et al. D14/140.9

(Continued)

OTHER PUBLICATIONS

Grandstream GXP2200 Enterprise Multimedia Phone for Android Demo and overview. YouTube [online] p. 1 of 2 Posted Dec. 7, 2012 [retrieved on Jun. 25, 2014]. Retrieved from Internet: <<http://www.youtube.com/watch?v=iimwkoZ80Mg>>.*

Primary Examiner — Susan Bennett Hattan

Assistant Examiner — Marie Fast Horse

(74) *Attorney, Agent, or Firm* — NSIP Law

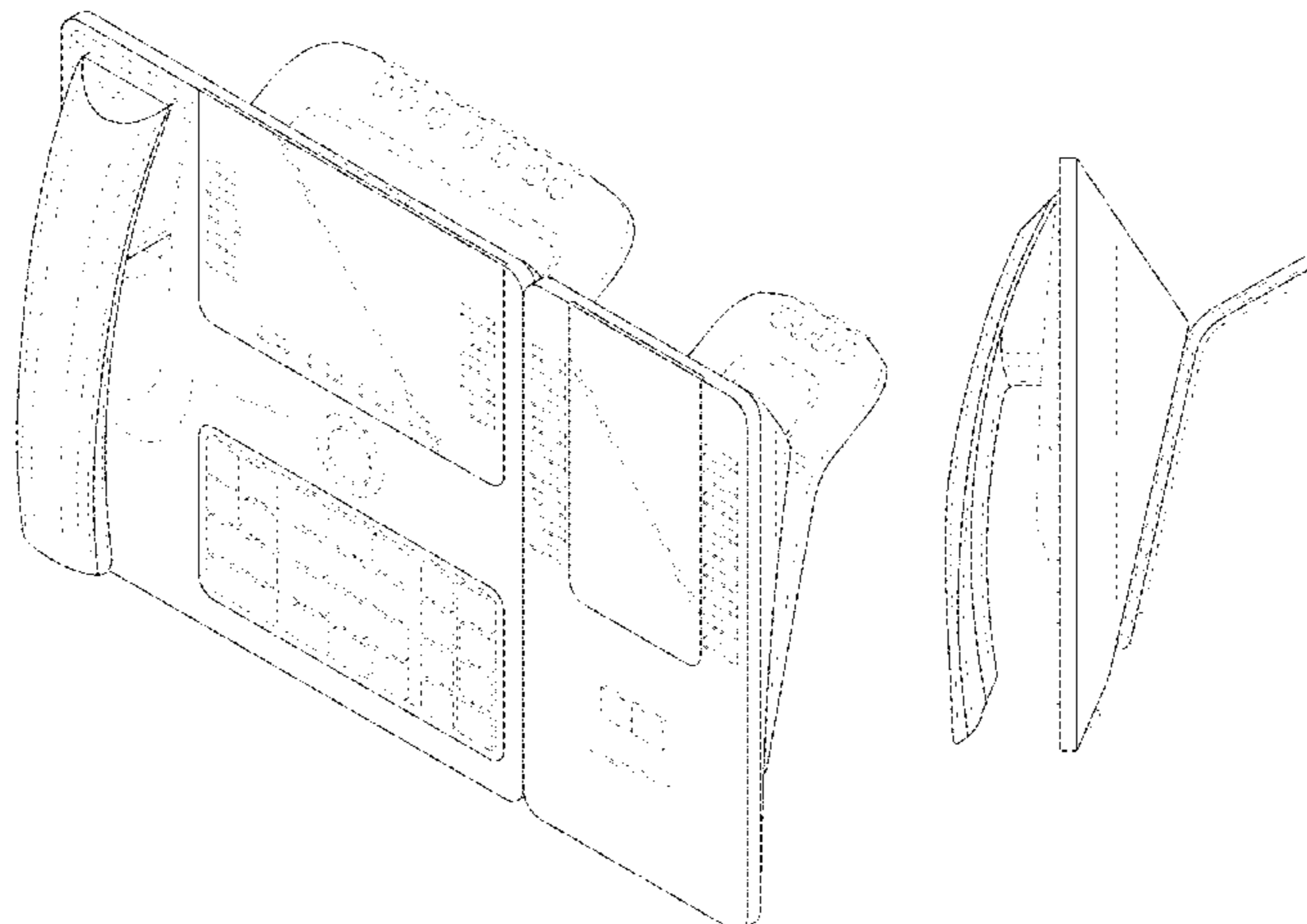
(57) **CLAIM**

The ornamental design for a telephone set, as shown and described.

DESCRIPTION

FIG. 1 is a front perspective view of a telephone set showing our new design;
FIG. 2 is a front view thereof;
FIG. 3 is a rear view thereof;
FIG. 4 is a left-side view thereof;
FIG. 5 is a right-side view thereof;
FIG. 6 is a top view thereof;
FIG. 7 is a bottom view thereof; and,
FIG. 8 is another side view thereof, in which the telephone set is shown on another position.
The broken lines illustrating portions of the telephone set are for environmental purposes only and form no part of the claimed design.

1 Claim, 5 Drawing Sheets



(56)

References Cited

U.S. PATENT DOCUMENTS

D457,152 S * 5/2002 Nam D14/151
 D472,236 S * 3/2003 Schramm et al. D14/144
 D482,679 S * 11/2003 Hillenmayer D14/140.9
 D499,393 S * 12/2004 Evans D14/151
 D558,181 S * 12/2007 Takada et al. D14/151
 D562,304 S * 2/2008 Takada et al. D14/151
 D575,262 S * 8/2008 Brown et al. D14/151
 D575,263 S * 8/2008 Brown et al. D14/151
 7,500,880 B1 * 3/2009 Vaziri et al. 439/638
 D592,625 S * 5/2009 Hwang D14/130
 D594,439 S * 6/2009 Jeon et al. D14/151

D608,351 S * 1/2010 Song D14/217
 D613,724 S * 4/2010 Kao et al. D14/151
 D616,843 S * 6/2010 Jones et al. D14/130
 7,778,411 B2 * 8/2010 Dedieu et al. 379/454
 7,792,283 B2 * 9/2010 Yoshida et al. 379/428.04
 D653,646 S * 2/2012 Hovdal D14/142
 D661,307 S * 6/2012 Hwang et al. D14/434
 D668,901 S * 10/2012 Jones et al. D6/575
 D671,935 S * 12/2012 Mao D14/253
 D675,592 S * 2/2013 Fuxen D14/151
 2003/0179565 A1 * 9/2003 Craig 362/31
 2008/0069336 A1 * 3/2008 Cannata 379/433.01
 2010/0246806 A1 * 9/2010 Szpilfogel et al. 379/428.03
 2010/0254529 A1 * 10/2010 Olivier et al. 379/428.03

* cited by examiner

FIG. 1

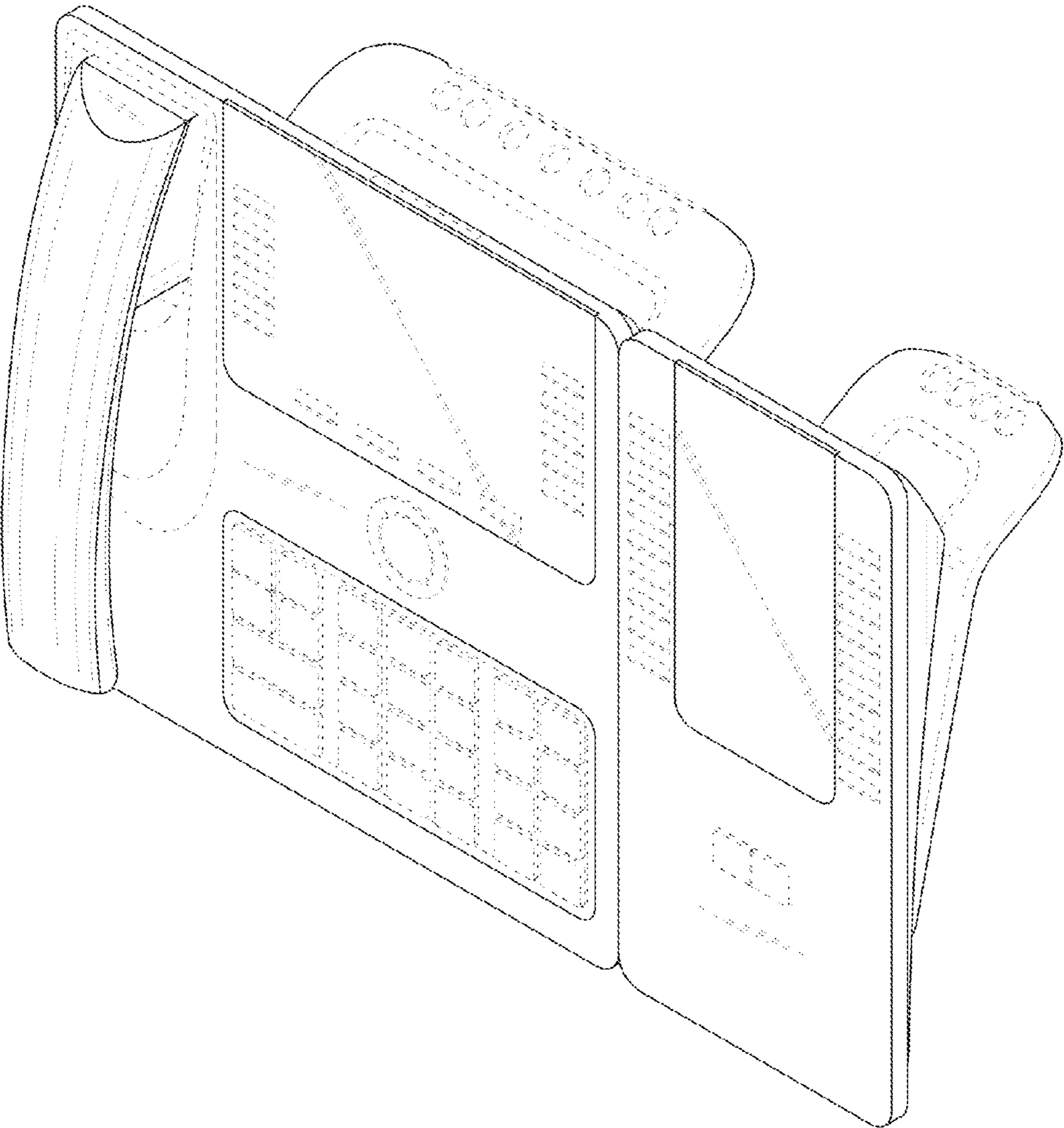


FIG.2

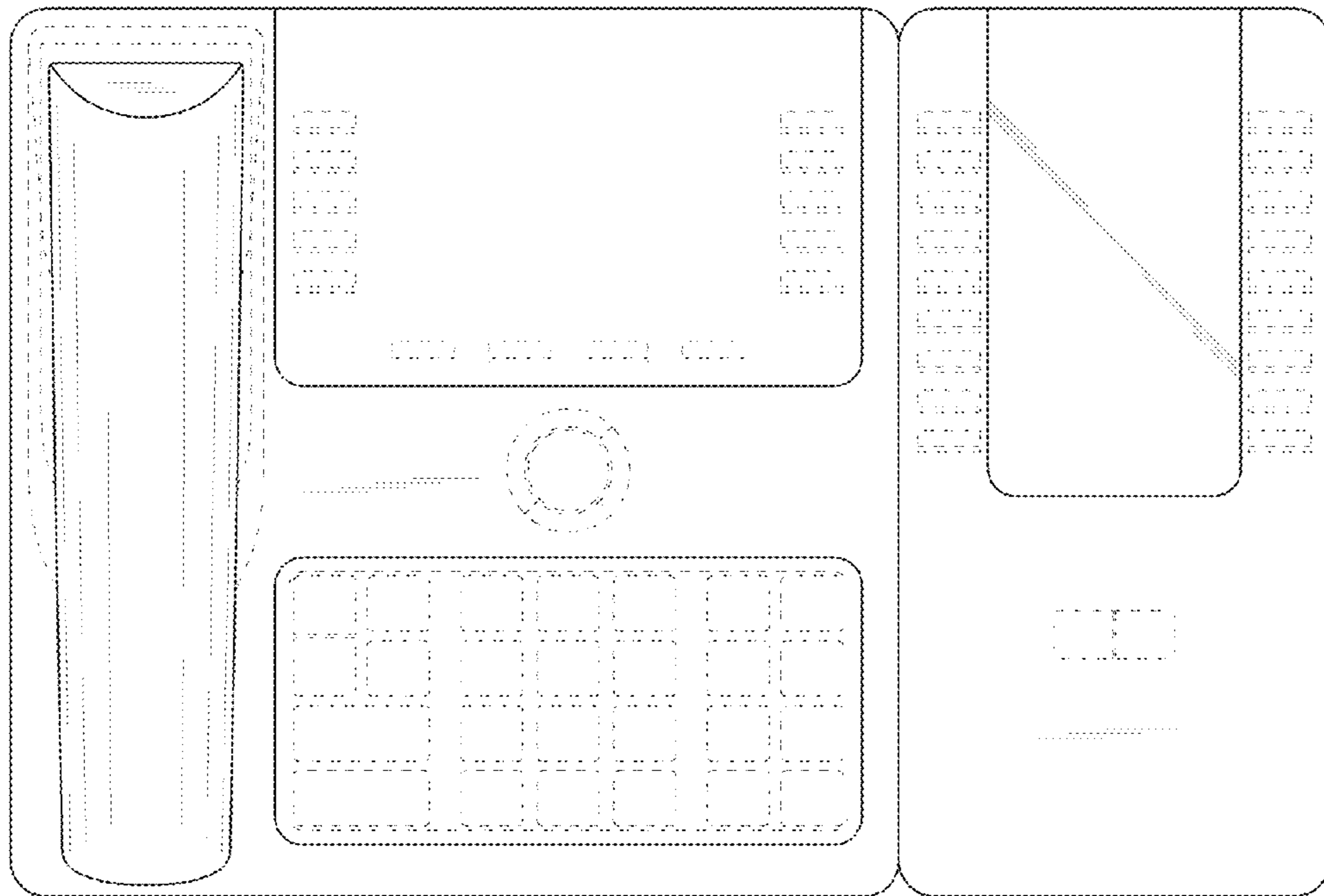


FIG.3

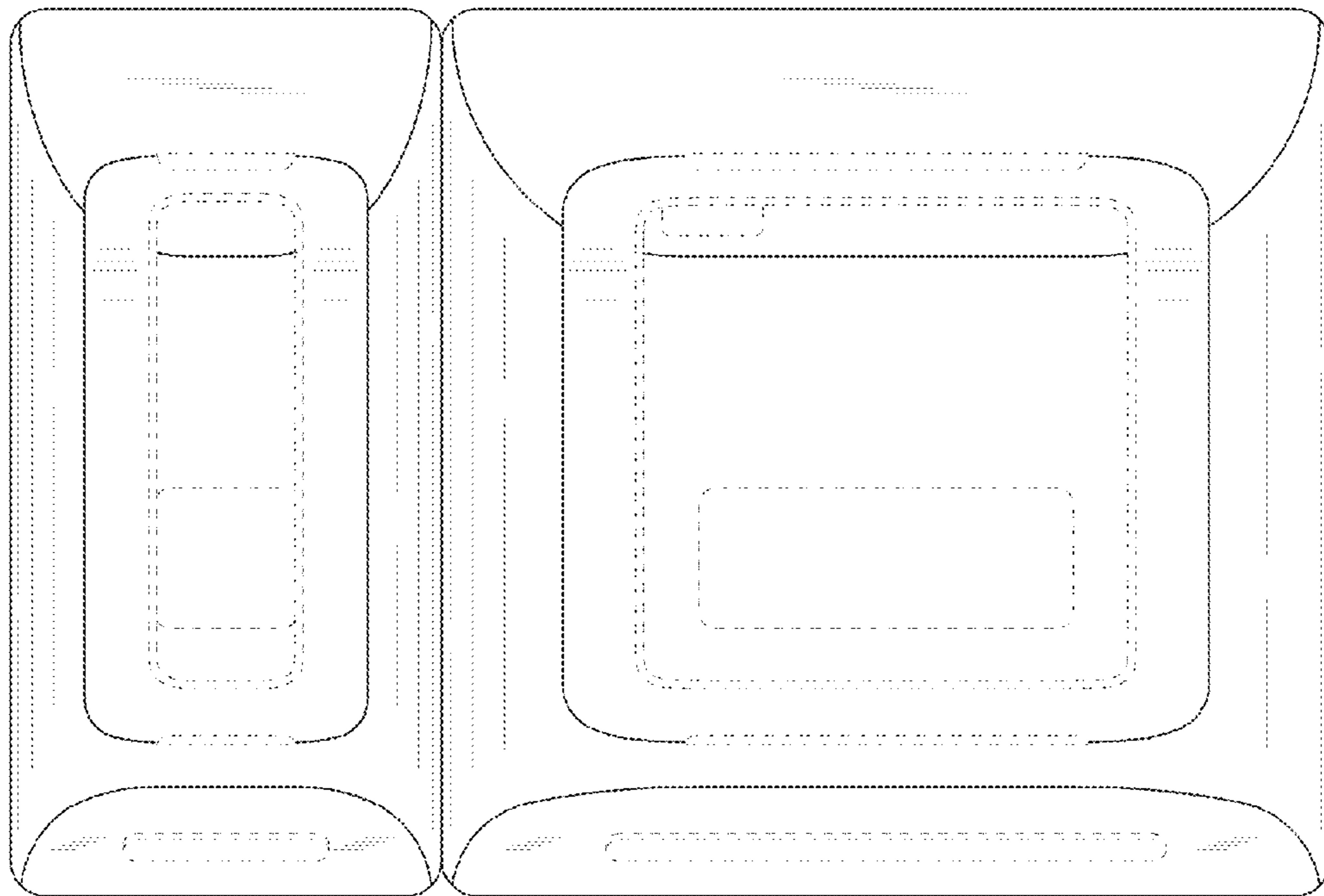


FIG.4

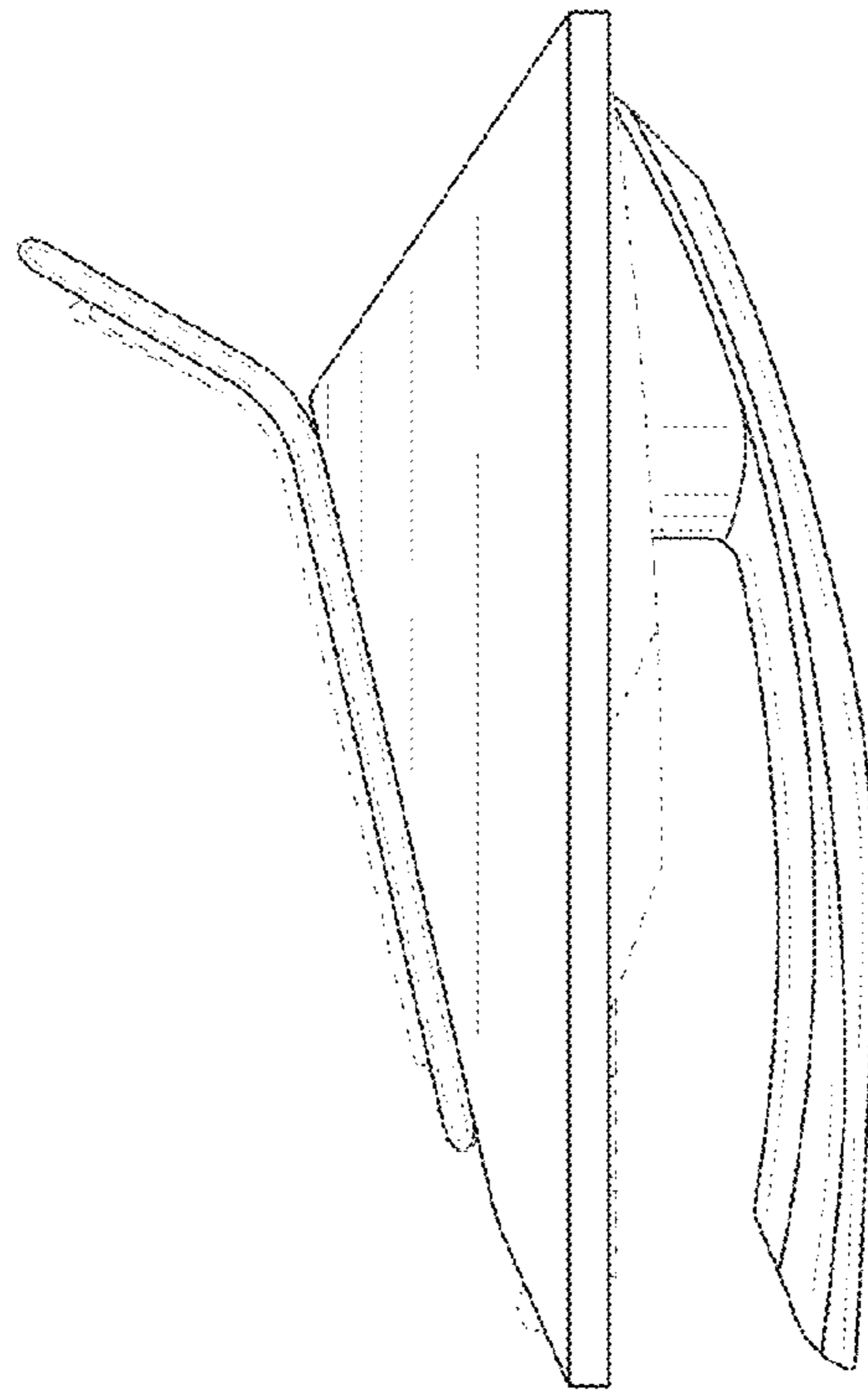


FIG.5

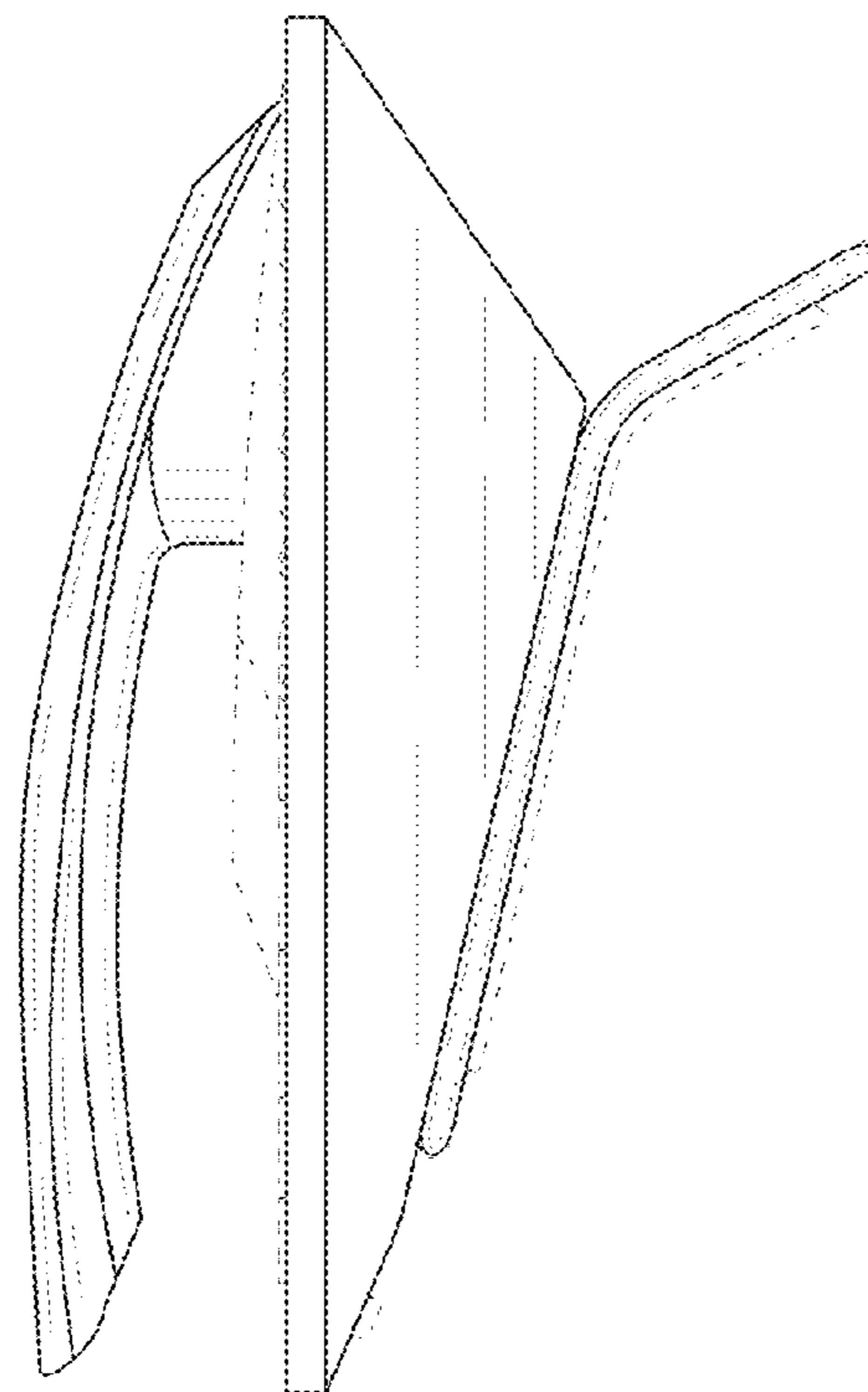


FIG.6

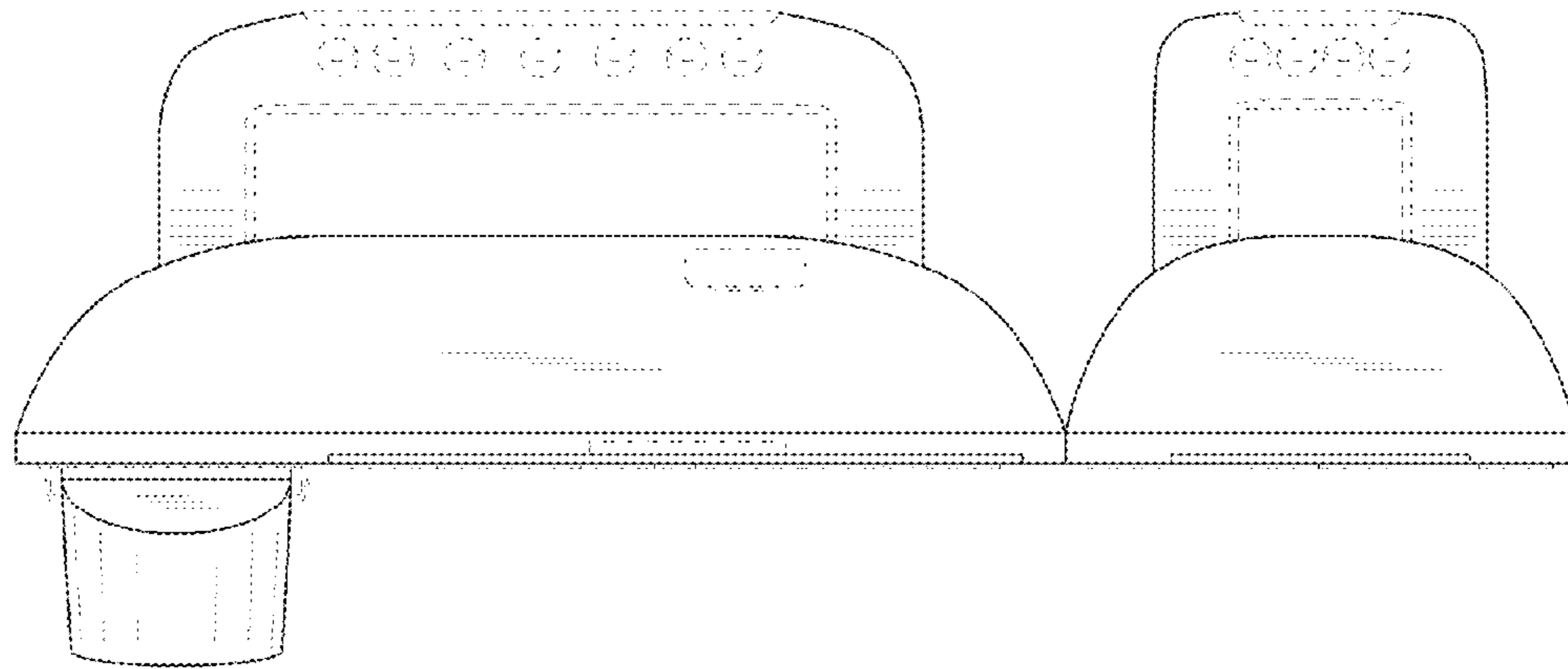


FIG.7

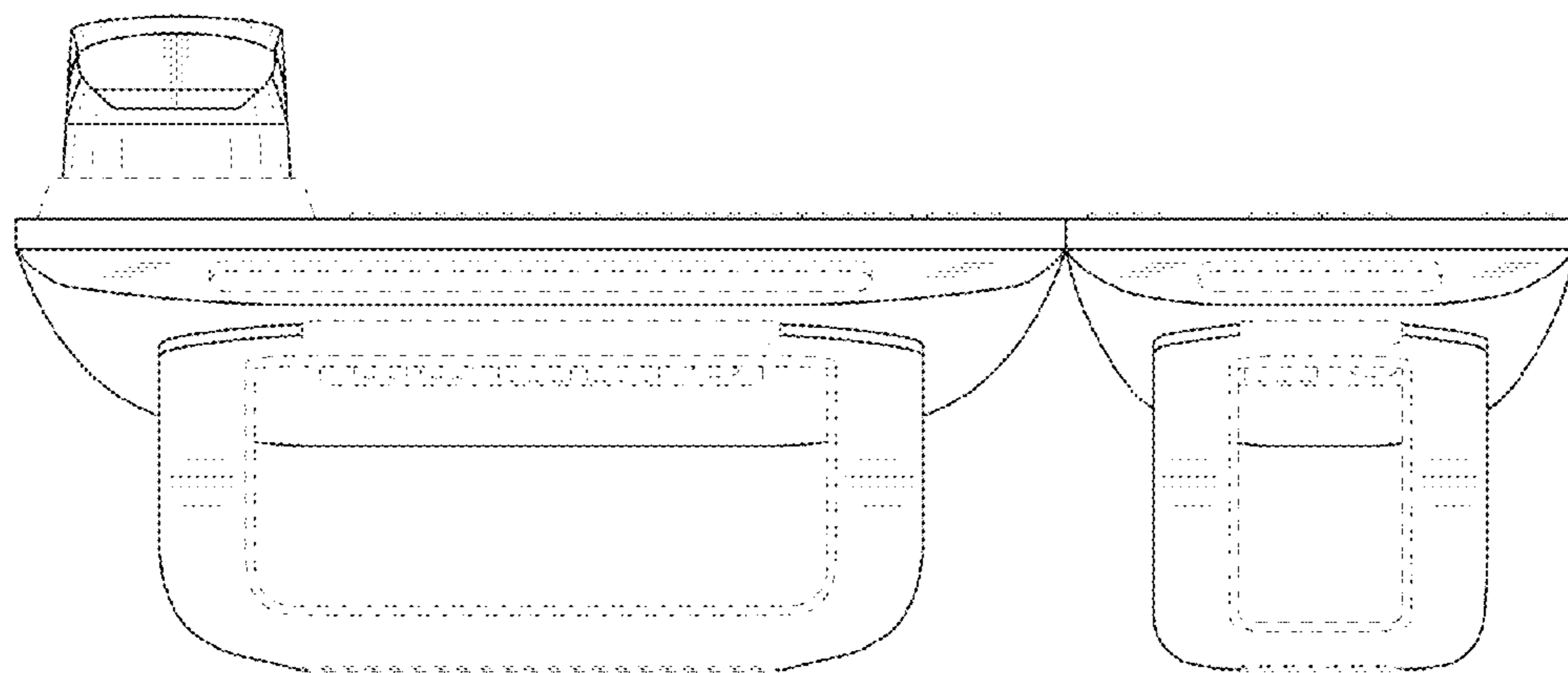


FIG.8

