



US00D717761S

(12) **United States Design Patent**
Takahata

(10) **Patent No.:** **US D717,761 S**

(45) **Date of Patent:** **** Nov. 18, 2014**

(54) **INTERPHONE**

(75) Inventor: **Kotaro Takahata**, Nagoya (JP)

(73) Assignee: **Aiphone Co., Ltd.**, Nagoya-Shi (JP)

(**) Term: **14 Years**

(21) Appl. No.: **29/432,262**

(22) Filed: **Sep. 14, 2012**

(30) **Foreign Application Priority Data**

Mar. 28, 2012	(JP)	2012-007133
Mar. 28, 2012	(JP)	2012-007134
Mar. 28, 2012	(JP)	2012-007135
Mar. 28, 2012	(JP)	2012-007136
Aug. 27, 2012	(JP)	2012-020469
Aug. 27, 2012	(JP)	2012-020470
Aug. 27, 2012	(JP)	2012-020471

(51) **LOC (10) Cl.** **14-01**

(52) **U.S. Cl.**
USPC **D14/142**

(58) **Field of Classification Search**
USPC D14/130, 140, 140.3, 142, 147-151,
D14/329, 330, 434, 447, 241, 251, 253;
D13/107, 108; 379/428.01-428.04,
379/440, 446; 320/110, 113-115
See application file for complete search history.

(56) **References Cited**

U.S. PATENT DOCUMENTS

D368,097	S	*	3/1996	Heberling et al.	D14/242
D408,821	S	*	4/1999	Takahashi	D14/218
D457,866	S	*	5/2002	Matsui et al.	D14/148
D477,609	S	*	7/2003	Heath et al.	D14/496
D496,031	S	*	9/2004	Ma et al.	D14/240
D516,545	S	*	3/2006	Lai	D14/218
D531,585	S	*	11/2006	Weitgasser et al.	D13/168
D531,588	S	*	11/2006	Peh	D13/168
D532,779	S	*	11/2006	Kim et al.	D14/218
D534,131	S	*	12/2006	Ng et al.	D13/168

D534,501	S	*	1/2007	Yao	D13/168
D541,275	S	*	4/2007	Lai	D14/358
D558,619	S	*	1/2008	Bloem	D10/65
D569,819	S	*	5/2008	Rinaldi et al.	D14/130
D577,713	S	*	9/2008	Kim et al.	D14/218
D578,993	S	*	10/2008	Yamada et al.	D14/159
D583,776	S	*	12/2008	Lacour et al.	D13/168

(Continued)

FOREIGN PATENT DOCUMENTS

KR 30-0492580 5/2008

Primary Examiner — Thomas Johannes

Assistant Examiner — Holly E Thurman

(74) *Attorney, Agent, or Firm* — Burr & Brown, PLLC

(57) **CLAIM**

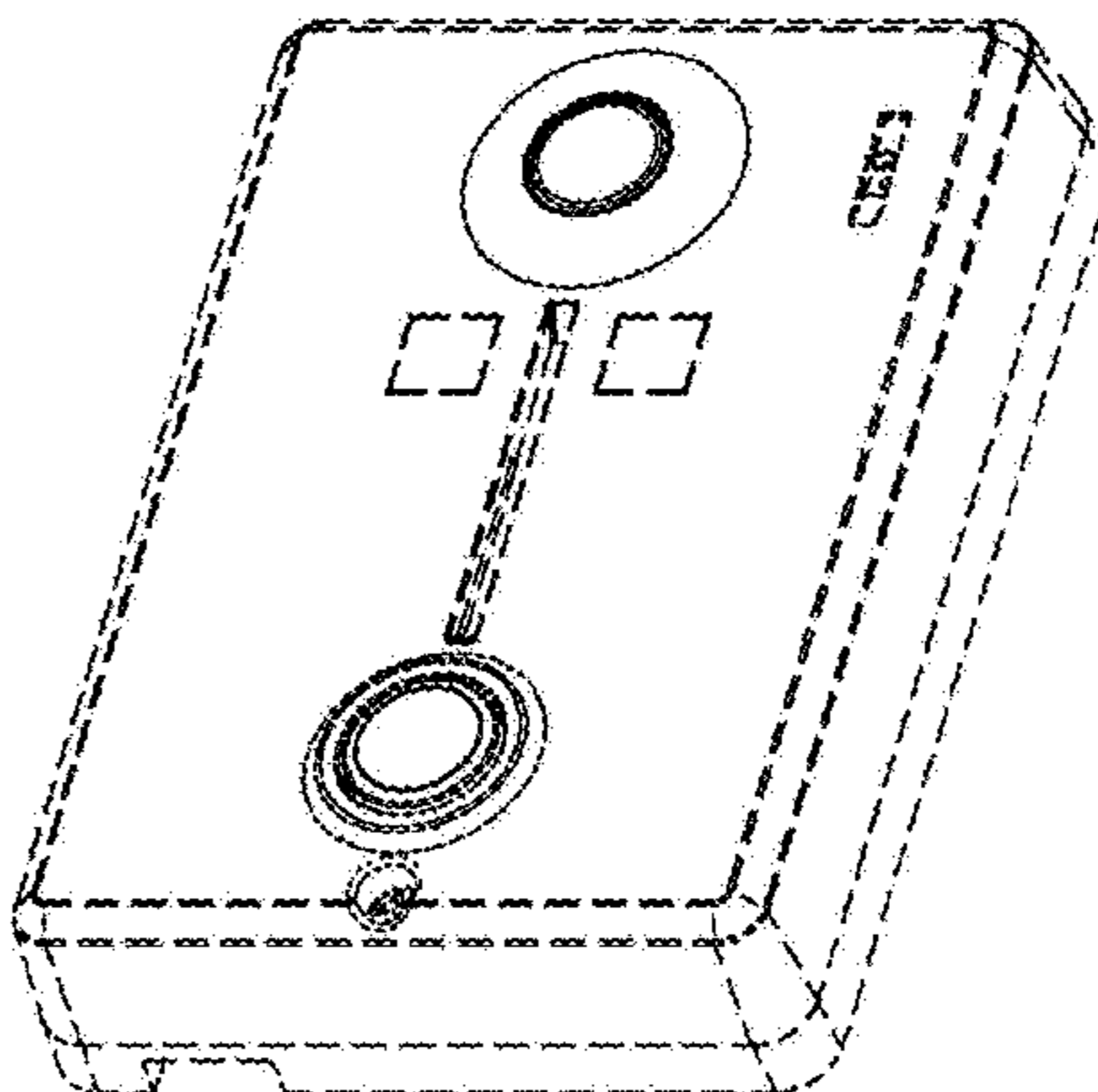
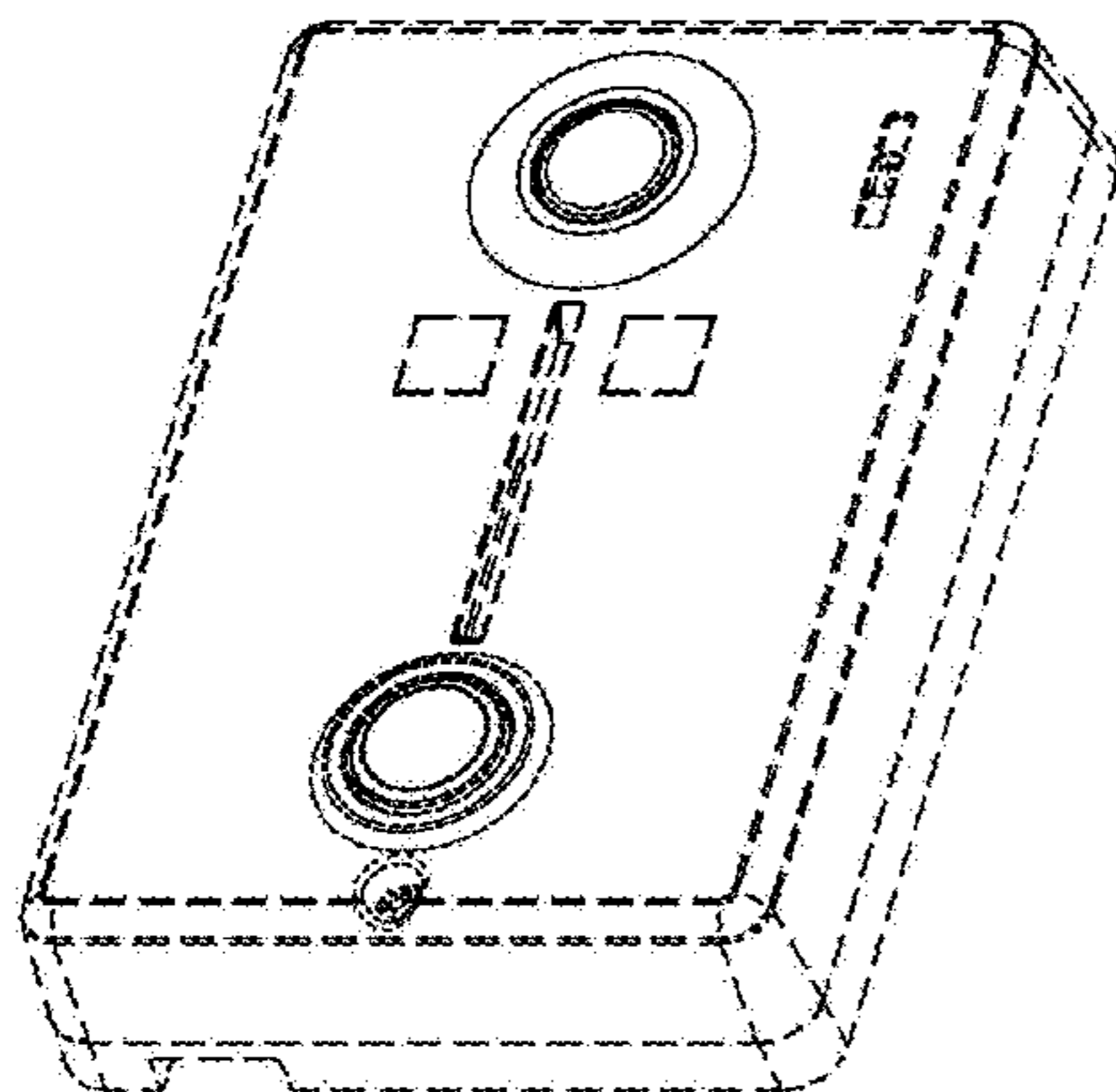
The ornamental design for an interphone, as shown and described.

DESCRIPTION

FIG. 1 is a front elevational view of a first embodiment of an interphone illustrating my new design;
 FIG. 2 is a rear elevational view thereof;
 FIG. 3 is a left side elevational view thereof;
 FIG. 4 is a right side elevational view thereof;
 FIG. 5 is a top plan view thereof;
 FIG. 6 is a bottom plan view thereof;
 FIG. 7 is a front perspective view thereof;
 FIG. 8 is a front elevational view of a second embodiment of an interphone illustrating my new design;
 FIG. 9 is a rear elevational view thereof;
 FIG. 10 is a left side elevational view thereof;
 FIG. 11 is a right side elevational view thereof;
 FIG. 12 is a top plan view thereof;
 FIG. 13 is a bottom plan view thereof; and,
 FIG. 14 is a front perspective view thereof.

The portions of the interphone shown in broken lines depict unclaimed subject matter only and form no part of the claimed design.

1 Claim, 14 Drawing Sheets



(56)

References Cited

U.S. PATENT DOCUMENTS

D588,574 S *	3/2009	Takahata	D14/159	D645,848 S *	9/2011	Arnholt et al.	D14/218
D590,730 S *	4/2009	Simard et al.	D10/50	D647,510 S *	10/2011	Maier et al.	D14/218
D595,260 S *	6/2009	Takahata	D14/159	D647,884 S *	11/2011	Moon et al.	D14/218
D598,893 S *	8/2009	Asai	D14/188	D650,365 S *	12/2011	McManigal et al.	D14/218
D619,105 S *	7/2010	Felegy et al.	D13/168	D661,690 S *	6/2012	Weitgasser	D14/218
D620,917 S *	8/2010	Hattori et al.	D14/159	D661,691 S *	6/2012	Weitgasser	D14/218
D621,371 S *	8/2010	Sheppard et al.	D13/168	D663,288 S *	7/2012	Aquillano et al.	D14/218
D626,942 S *	11/2010	Aquillano et al.	D14/218	D689,037 S *	9/2013	Sumi et al.	D14/159
D633,478 S *	3/2011	Bolton	D14/218	D697,055 S *	1/2014	McManigal	D14/218
D636,371 S *	4/2011	Spielvogel et al.	D14/142	D697,056 S *	1/2014	McManigal	D14/218
D636,761 S *	4/2011	Hansen et al.	D14/218	D697,499 S *	1/2014	McManigal	D14/218
D640,669 S *	6/2011	Cho et al.	D14/218	2004/0224717 A1 *	11/2004	Hertzberg et al.	455/550.1
				2007/0247376 A1 *	10/2007	Kim et al.	343/702
				2009/0084147 A1 *	4/2009	Mizutani et al.	70/277

* cited by examiner

Fig. 1

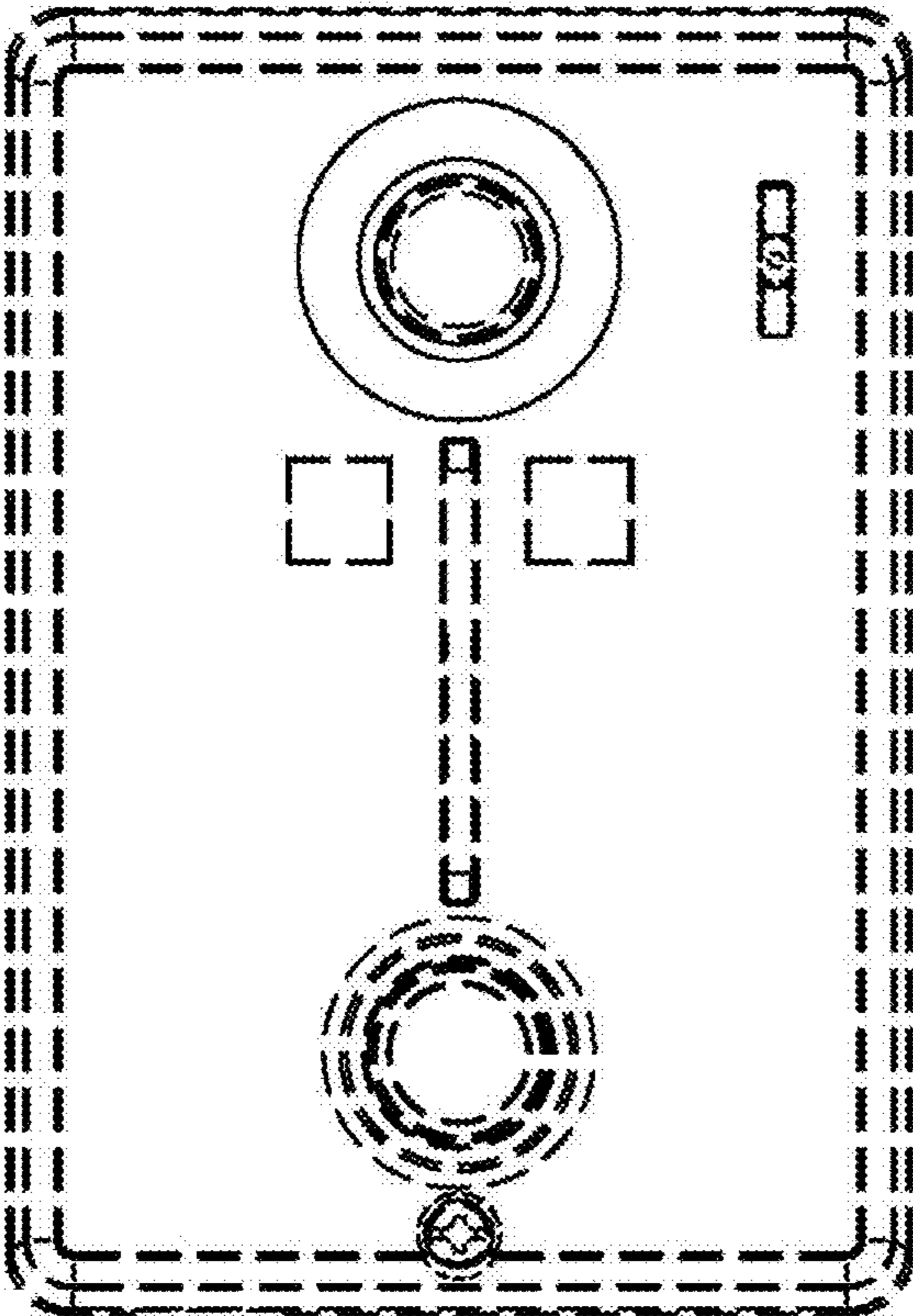


Fig. 2

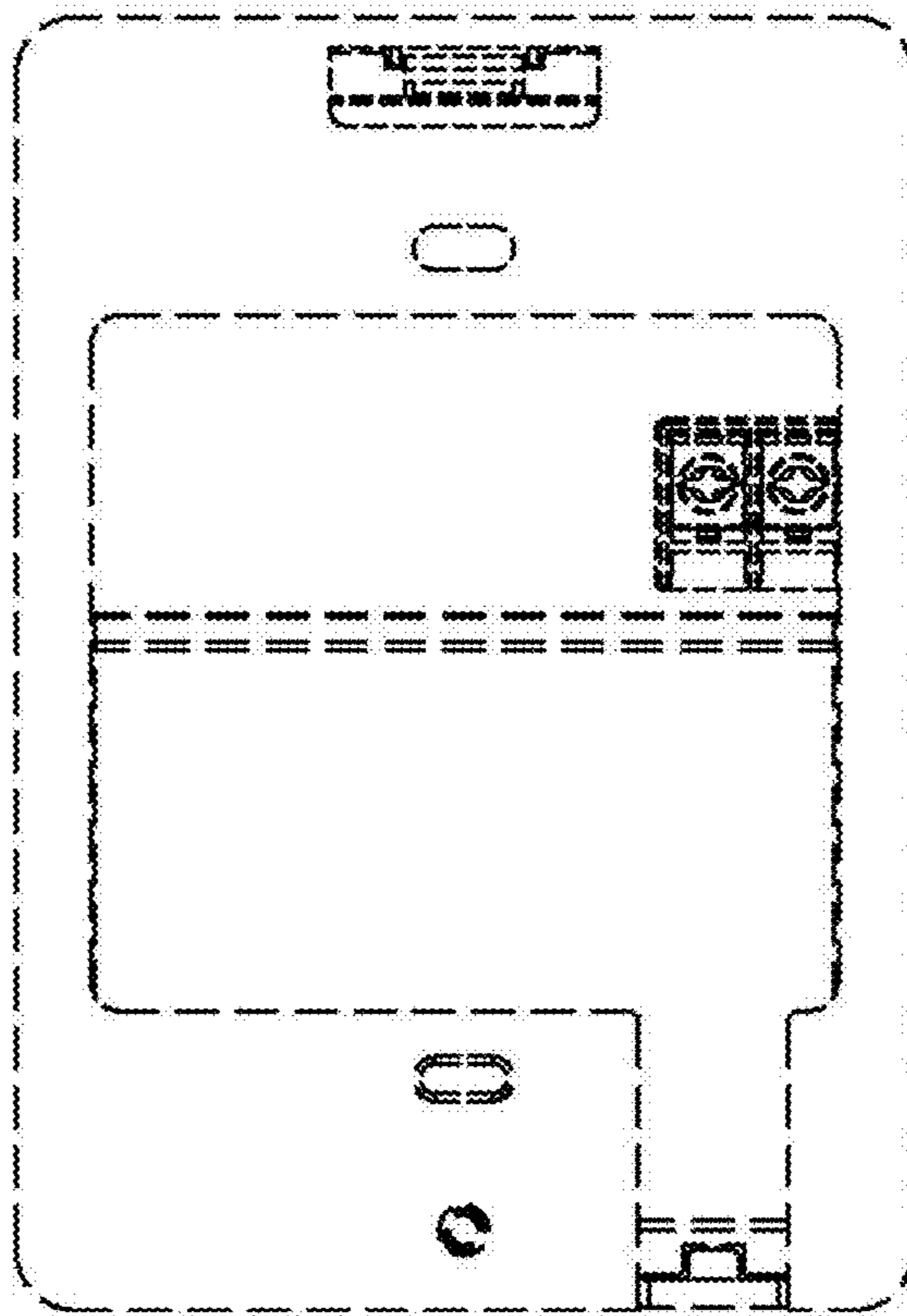


Fig. 3

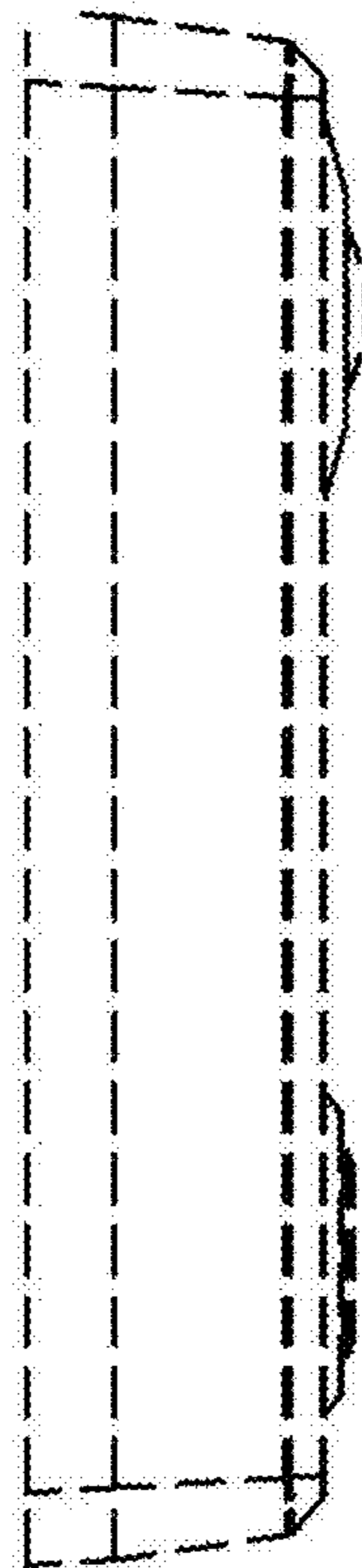


Fig. 4



Fig. 5

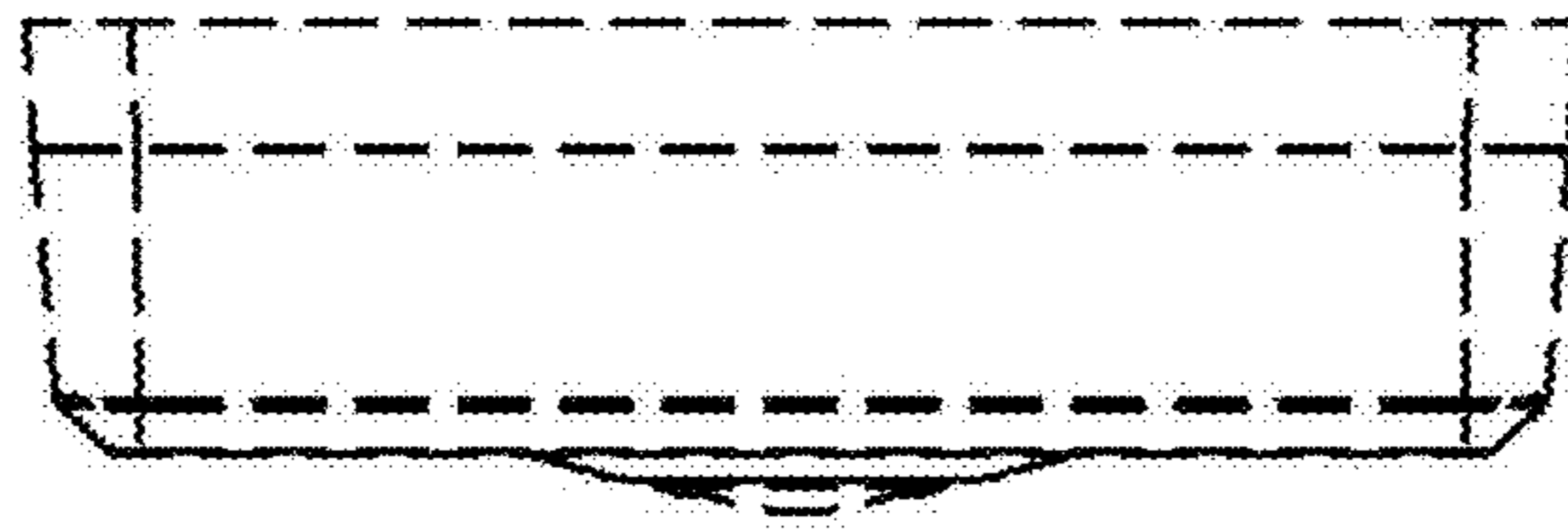


Fig. 6

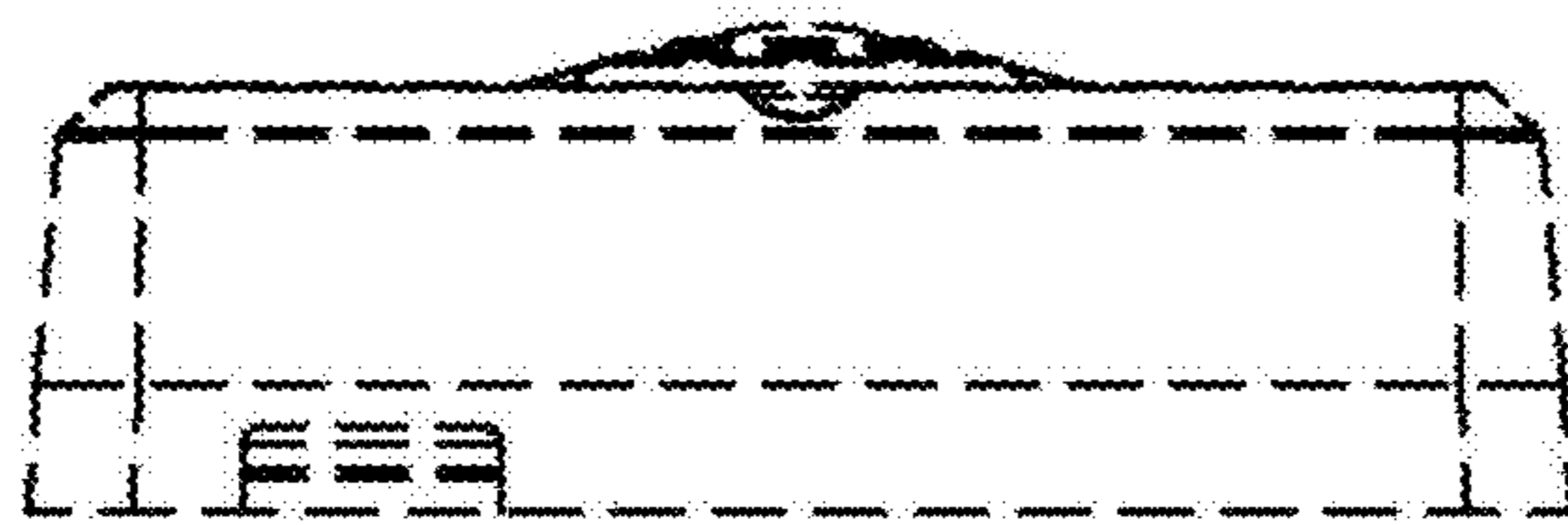


Fig. 7

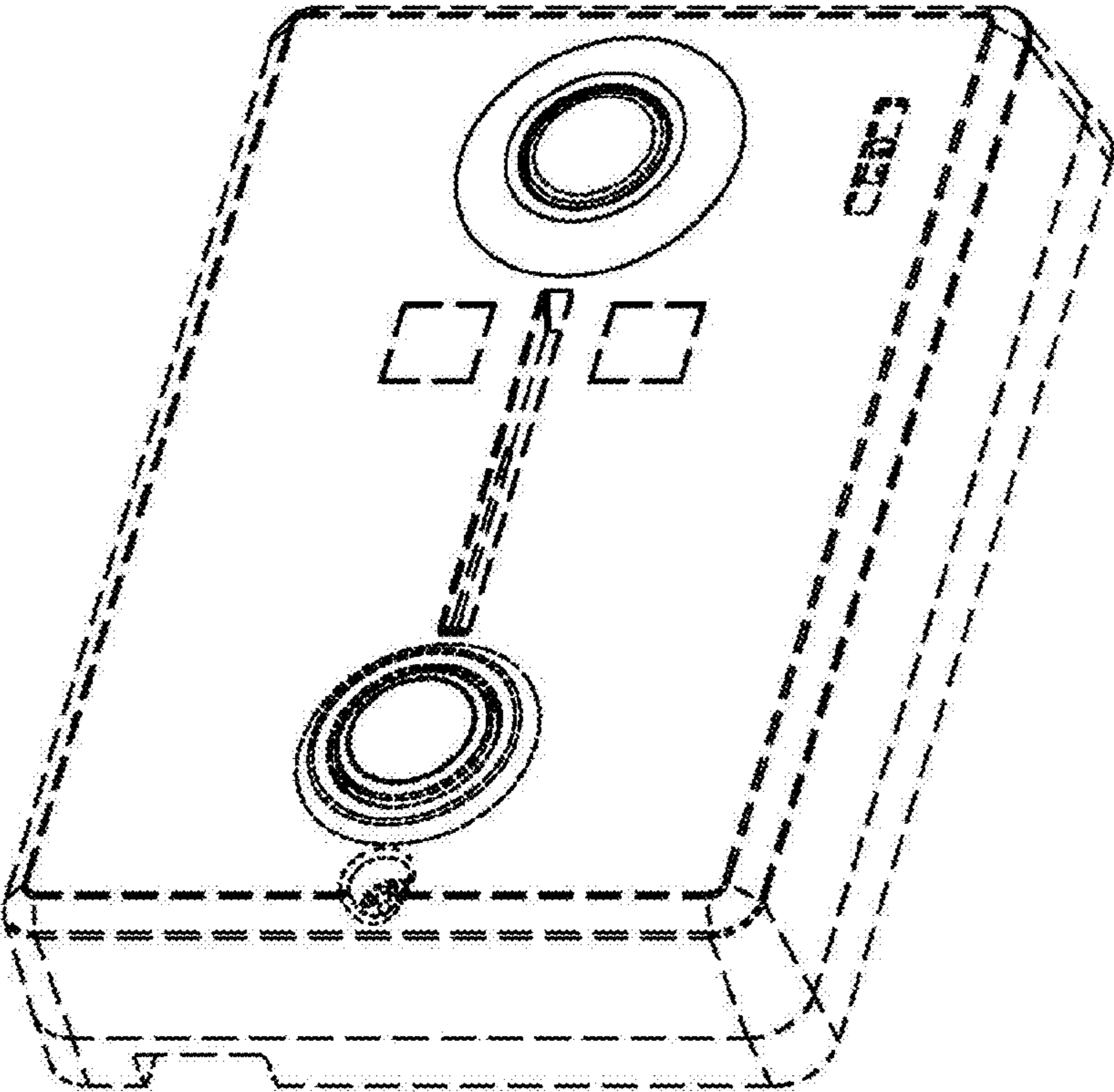


Fig. 8

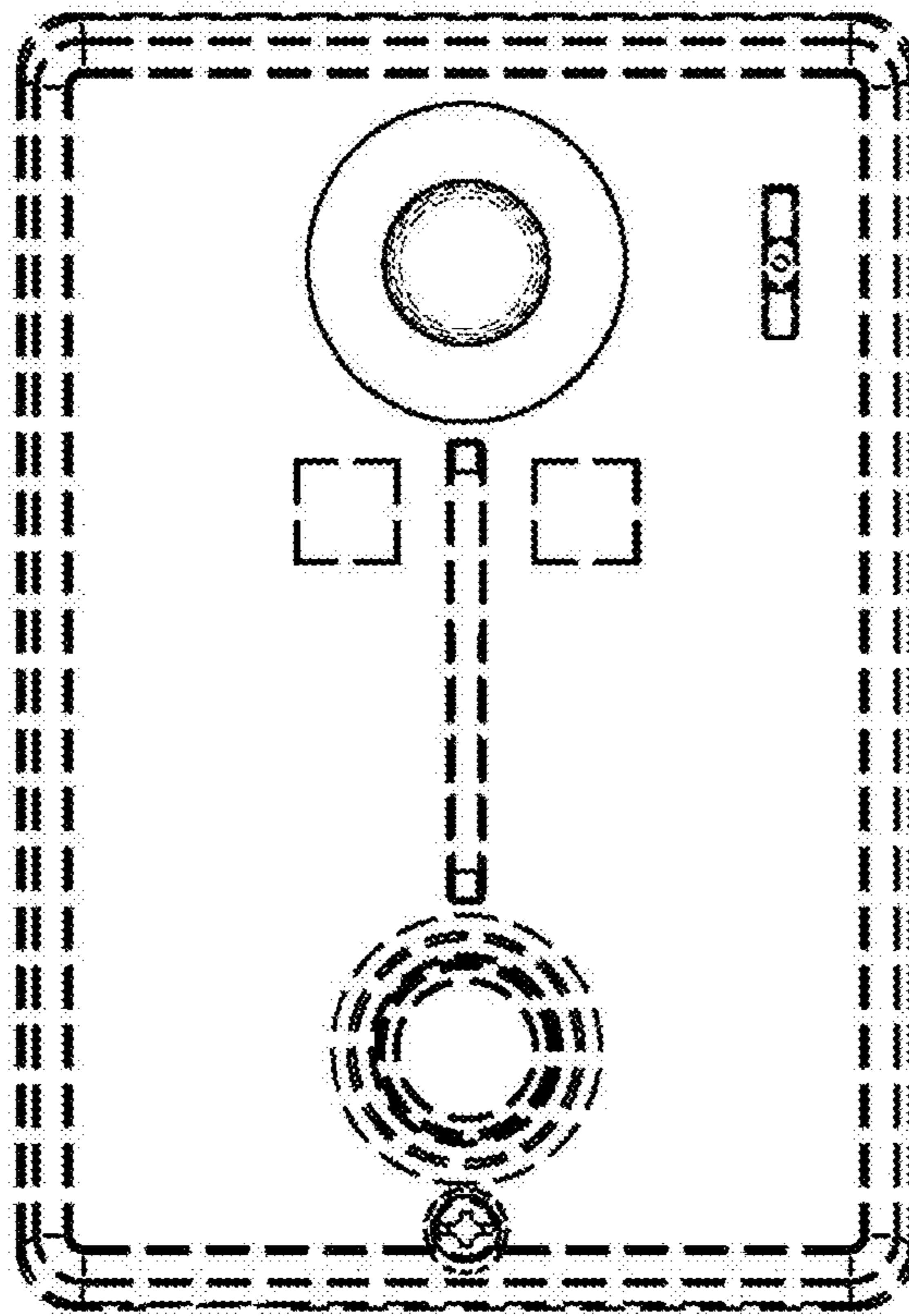


Fig. 9

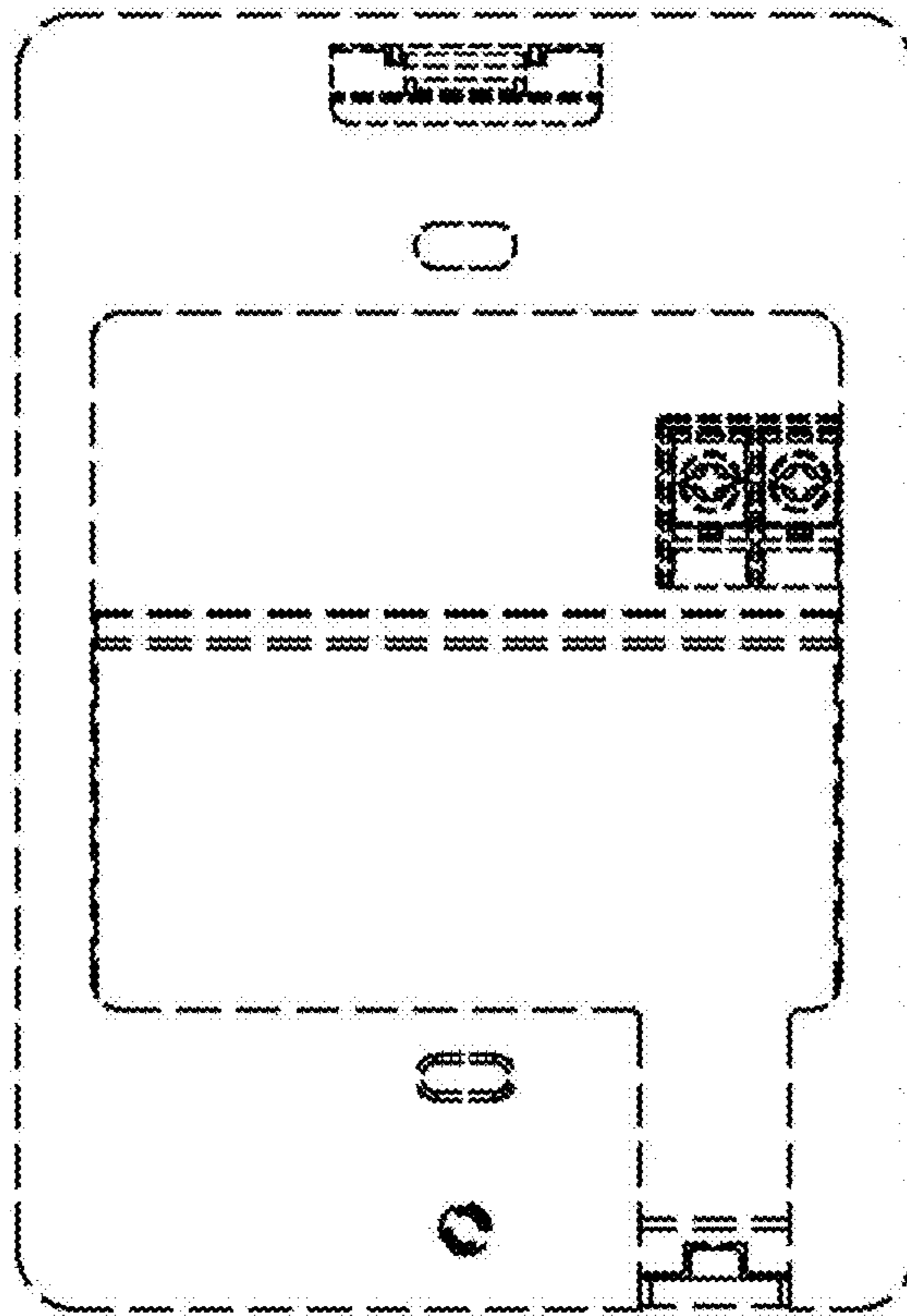


Fig. 10

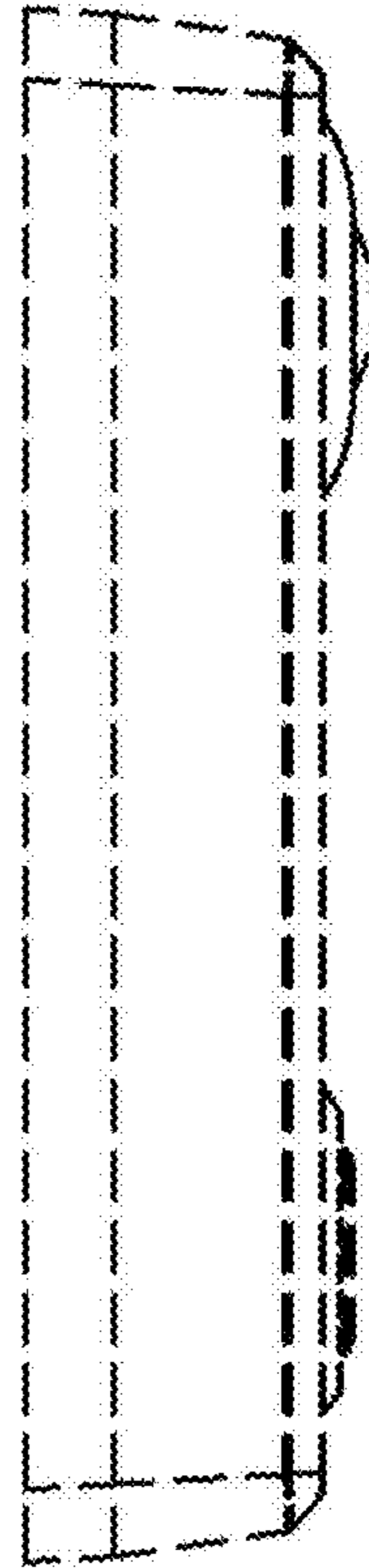


Fig. 11

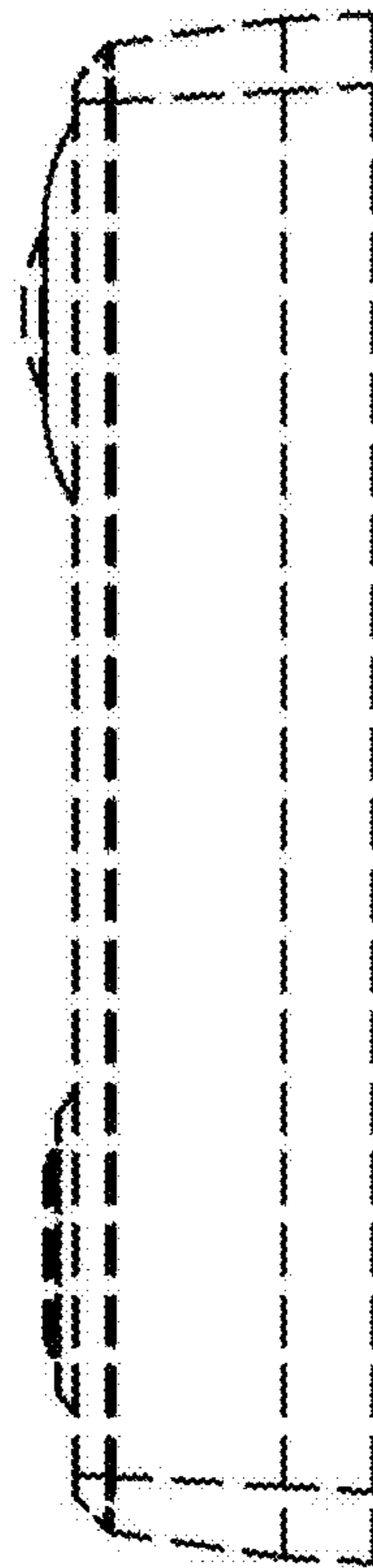


Fig. 12

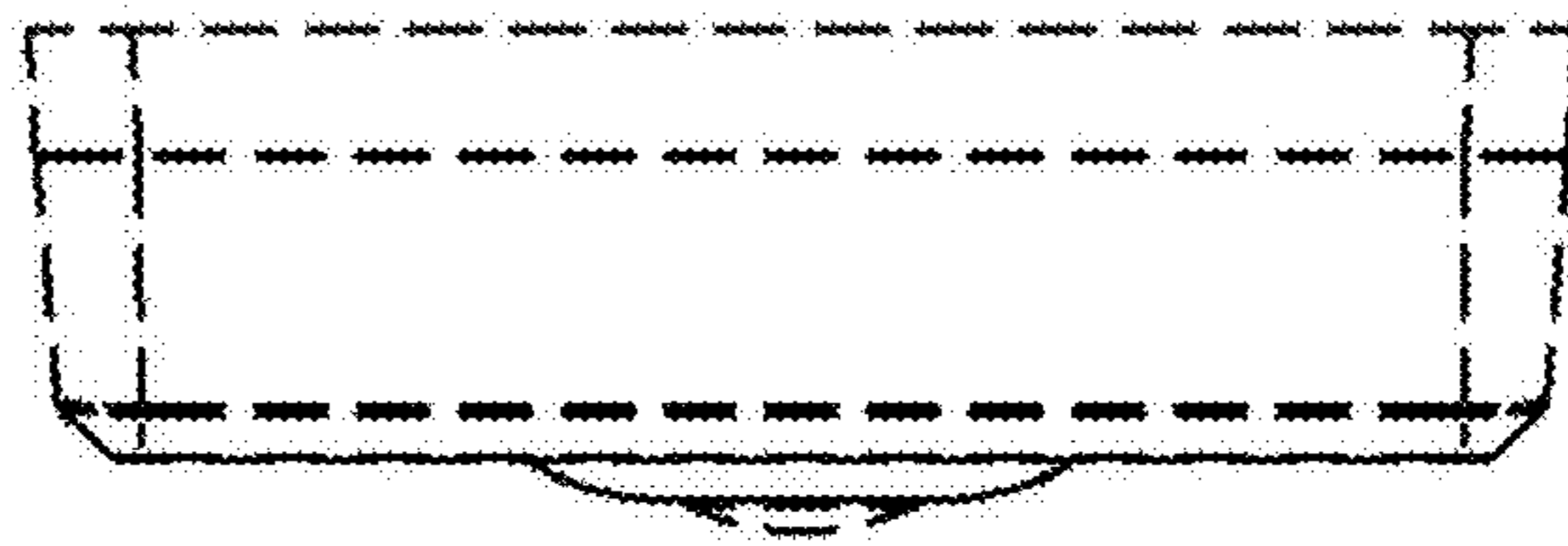


Fig. 13

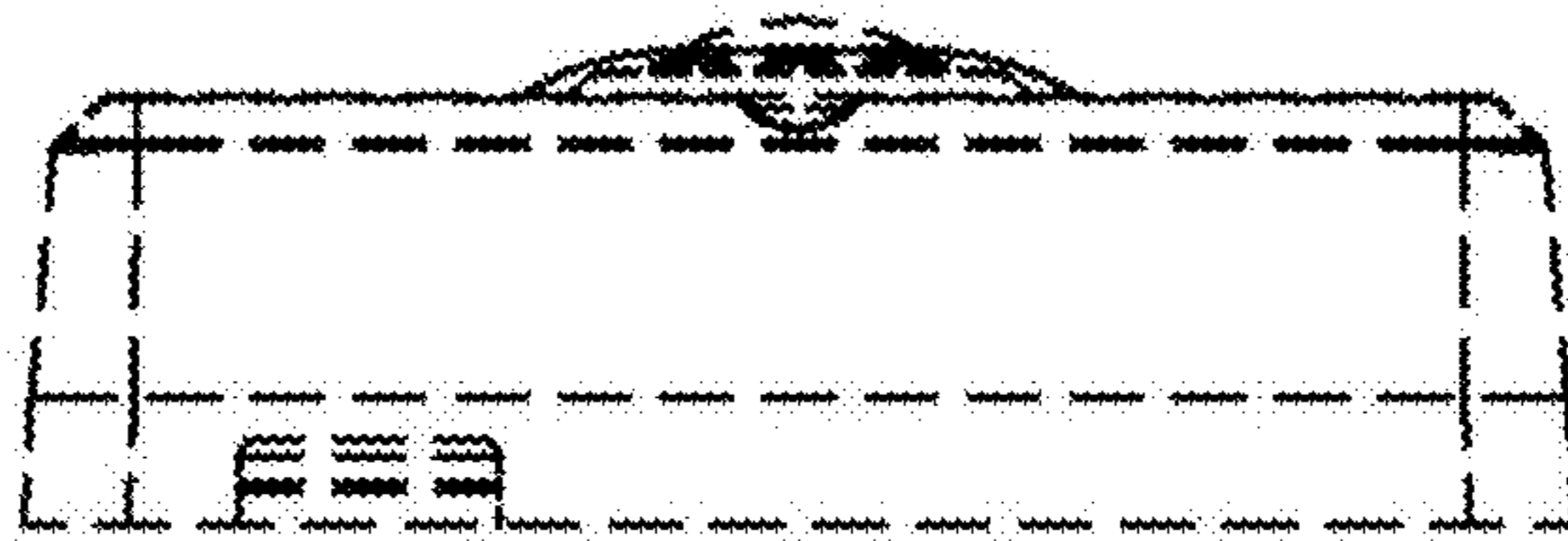


Fig. 14

