

US00D717760S

(12) **United States Design Patent**  
**Kim et al.**

(10) **Patent No.:** **US D717,760 S**

(45) **Date of Patent:** **\*\* Nov. 18, 2014**

(54) **MOBILE PHONE**

(71) Applicant: **LG Electronics Inc.**, Seoul (KR)

(72) Inventors: **Dongsoon Kim**, Yongin-si (KR);  
**Seongjae Lim**, Seoul (KR)

(73) Assignee: **LG Electronics Inc.**, Seoul (KR)

(\*\*) Term: **14 Years**

(21) Appl. No.: **29/480,306**

(22) Filed: **Jan. 24, 2014**

(30) **Foreign Application Priority Data**

Jul. 26, 2013 (KR) ..... 30-2013-0038912

(51) **LOC (10) Cl.** ..... **14-03**

(52) **U.S. Cl.**

USPC ..... **D14/138 R**; D14/344; D10/38

(58) **Field of Classification Search**

CPC ..... H04B 1/03; H04B 1/385; G04G 17/083

USPC ..... D14/140, 137, 138 R, 138 AB, 139, 155,

D14/191, 192, 203.1, 203.3, 203.4, 203.5,

D14/203.7, 248, 226, 218, 144, 240, 344,

D14/440, 341, 346, 448, 450, 496;

D10/30-39, 70, 65, 78, 104.1, 104.2,

D10/125; D11/3-5, 12, 19, 25; D13/168;

D8/354, 366, 402, 499; D3/215;

D15/199; 381/364, 151; 379/433.1;

455/575.1, 556.1, 556.2, 558, 575.3,

455/575.4, 575.6, 90.3; 368/10, 13, 69,

368/223; D21/329; D24/167

See application file for complete search history.

(56) **References Cited**

U.S. PATENT DOCUMENTS

D244,916 S \* 7/1977 Ueno ..... D10/38

D278,686 S \* 5/1985 Mathez ..... D10/39

D323,127 S \* 1/1992 Kawashima ..... D10/39  
5,329,501 A \* 7/1994 Meister et al. .... 368/10  
D355,613 S \* 2/1995 Takani et al. .... D10/39  
D355,615 S \* 2/1995 Atagi ..... D10/39  
D368,229 S \* 3/1996 Crocco ..... D10/30  
5,596,551 A \* 1/1997 Born et al. .... 368/10  
D381,920 S \* 8/1997 Galli ..... D10/30  
D388,000 S \* 12/1997 Molineri ..... D10/30  
D389,070 S \* 1/1998 Galli ..... D10/30

(Continued)

OTHER PUBLICATIONS

Wrist type mobile devices 001 (1/8-Designs-©Questel). orbit.com  
[online] 63 pages Uploaded range from 2007-2014 [retrieved on Sep.  
22, 2014]. Retrieved from Internet: <http://sobjprd.questel.fr/export/  
QPTUJ214/pdf2/2f78fa37-6e03-40fa-b853-941e65da78d9-175438.  
pdf>.\*

(Continued)

*Primary Examiner* — Susan Bennett Hattan

*Assistant Examiner* — Marie Fast Horse

(74) *Attorney, Agent, or Firm* — Birch, Stewart, Kolasch &  
Birch, LLP

(57) **CLAIM**

The ornamental design for a mobile phone, as shown and  
described.

**DESCRIPTION**

FIG. 1 is a perspective view of a mobile phone showing our  
new design;

FIG. 2 is a front view thereof;

FIG. 3 is a rear view thereof;

FIG. 4 is a left side view thereof;

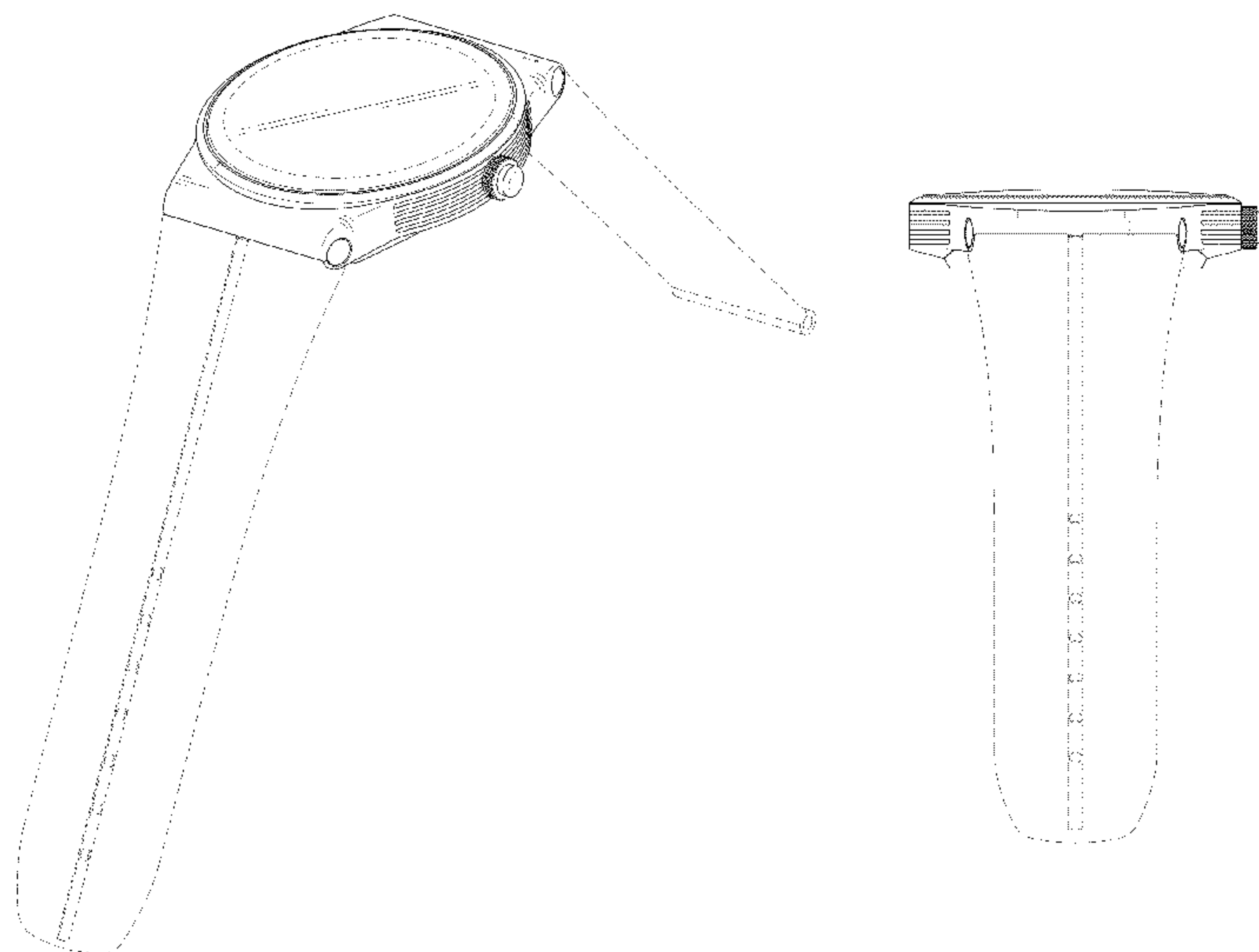
FIG. 5 is a right side view thereof;

FIG. 6 is a top plan view thereof; and,

FIG. 7 is a bottom plan view thereof.

The broken lines depict portions of the mobile phone that  
form no part of the claimed design.

**1 Claim, 7 Drawing Sheets**



(56)

References Cited

U.S. PATENT DOCUMENTS

5,721,713 A \* 2/1998 Bornand ..... 368/10  
 D391,861 S \* 3/1998 Houlihan et al. .... D10/30  
 D395,241 S \* 6/1998 Galli ..... D10/30  
 D398,540 S \* 9/1998 Lee ..... D10/30  
 D399,758 S \* 10/1998 Mendoza ..... D10/30  
 D402,565 S \* 12/1998 Sato et al. .... D10/32  
 5,883,861 A \* 3/1999 Moser et al. .... 368/10  
 5,974,000 A \* 10/1999 Pfeil ..... 368/10  
 D416,204 S \* 11/1999 Hsu ..... D10/30  
 D424,451 S \* 5/2000 Houlihan ..... D10/30  
 D427,915 S \* 7/2000 Erediano ..... D10/30  
 6,094,403 A \* 7/2000 Tran et al. .... 368/10  
 D429,651 S \* 8/2000 Ventrella ..... D10/30  
 6,168,055 B1 \* 1/2001 Grados ..... 224/152  
 6,185,157 B1 \* 2/2001 Farine ..... 368/10  
 6,192,253 B1 \* 2/2001 Charlier et al. .... 455/575.7  
 D439,526 S \* 3/2001 Ramos, Jr. .... D10/30  
 D441,303 S \* 5/2001 Hanagata ..... D10/30  
 D445,345 S \* 7/2001 Ramos, Jr. .... D10/30  
 D451,825 S \* 12/2001 Hanagata ..... D10/30  
 6,335,906 B1 \* 1/2002 Engelmann ..... 368/10  
 D456,277 S \* 4/2002 Streltsov ..... D10/30  
 6,366,538 B1 \* 4/2002 Anderson et al. .... 368/10  
 D458,153 S \* 6/2002 Gensini ..... D10/30  
 D462,622 S \* 9/2002 Sugisawa ..... D10/30  
 D462,623 S \* 9/2002 Fujihara ..... D10/30  
 6,535,461 B1 \* 3/2003 Karhu ..... 368/10  
 D472,820 S \* 4/2003 Ditullo et al. .... D10/30  
 D496,868 S \* 10/2004 Yamamoto ..... D10/30  
 D512,922 S \* 12/2005 Yan ..... D10/32  
 6,990,047 B1 \* 1/2006 Barbagiovanni et al. .... 368/10  
 D517,433 S \* 3/2006 Jorst et al. .... D10/39  
 D526,216 S \* 8/2006 Tomimatsu ..... D10/39  
 7,113,451 B1 \* 9/2006 Matthey ..... 368/10  
 D535,198 S \* 1/2007 Maeder ..... D10/32  
 7,215,600 B1 \* 5/2007 DeRosa ..... 368/10  
 D559,125 S \* 1/2008 Figueiredo ..... D10/38  
 D564,366 S \* 3/2008 Yeh et al. .... D10/30  
 7,372,778 B2 \* 5/2008 Klopfenstein et al. .... 368/10  
 D579,791 S \* 11/2008 Hoshino ..... D10/38

7,447,118 B1 \* 11/2008 Matos ..... 368/10  
 D591,180 S \* 4/2009 Monachon ..... D10/39  
 D626,017 S \* 10/2010 Ahlström ..... D10/31  
 D631,377 S \* 1/2011 Jorst et al. .... D10/39  
 7,954,680 B2 \* 6/2011 Ishihara et al. .... 224/177  
 D650,705 S \* 12/2011 Blank ..... D10/32  
 D653,565 S \* 2/2012 Hegi ..... D10/38  
 D653,968 S \* 2/2012 Blank ..... D10/32  
 D661,206 S \* 6/2012 Register et al. .... D10/38  
 D674,710 S \* 1/2013 Monachon ..... D10/32  
 D681,482 S \* 5/2013 Ramos, Jr. .... D10/38  
 D684,066 S \* 6/2013 Messmer et al. .... D10/39  
 8,773,847 B2 \* 7/2014 Byun et al. .... 361/679.03  
 2001/0055243 A1 \* 12/2001 Haywood ..... 368/10  
 2002/0027832 A1 \* 3/2002 Engelmann ..... 368/10  
 2002/0110049 A1 \* 8/2002 Ting ..... 368/10  
 2003/0081506 A1 \* 5/2003 Karhu ..... 368/10  
 2003/0103413 A1 \* 6/2003 Jacobi et al. .... 368/10  
 2004/0013042 A1 \* 1/2004 Farine ..... 368/10  
 2004/0081025 A1 \* 4/2004 Chen ..... 368/10  
 2006/0211410 A1 \* 9/2006 Deniau et al. .... 455/412.1  
 2007/0210975 A1 \* 9/2007 Someya et al. .... 343/788  
 2007/0232373 A1 \* 10/2007 Yoshida et al. .... 455/575.6  
 2008/0004510 A1 \* 1/2008 Tanzawa et al. .... 600/301  
 2008/0089182 A1 \* 4/2008 Scheybal ..... 368/10  
 2010/0214877 A1 \* 8/2010 Turk ..... 368/10  
 2011/0128824 A1 \* 6/2011 Downey et al. .... 368/14  
 2012/0099406 A1 \* 4/2012 Lau et al. .... 368/69  
 2012/0170423 A1 \* 7/2012 Fujisawa ..... 368/10  
 2012/0320715 A1 \* 12/2012 Maruyama ..... 368/10  
 2013/0088942 A1 \* 4/2013 Perko et al. .... 368/278  
 2013/0163390 A1 \* 6/2013 Gossweiler et al. .... 368/14  
 2013/0250735 A1 \* 9/2013 Takenawa ..... 368/10  
 2014/0233358 A1 \* 8/2014 Fujisawa ..... 368/47

OTHER PUBLICATIONS

Wrist type mobile devices 002 (1/8-Designs-©Questel). orbit.com [online] 60 pages, Uploaded range from 1998-2014 [retrieved on Sep. 22, 2014]. Retrieved from Internet: <<http://sobjprd.questel.fr/export/QPTUJ214/pdf2/361cc6bb-a15b-41b7-9686-bbe3af8a48ad-184028.pdf>>.\*

\* cited by examiner

FIG. 1

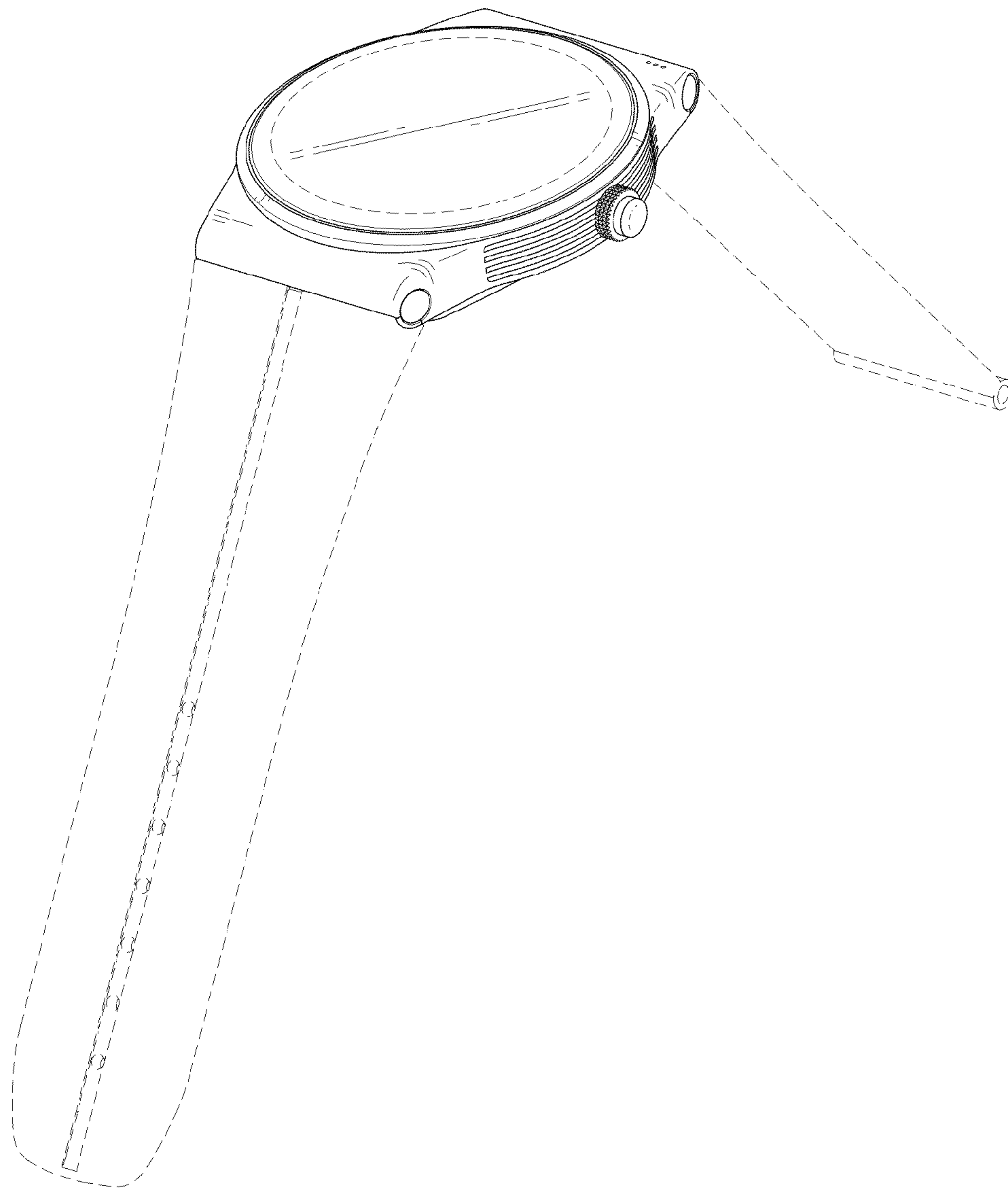


FIG. 2

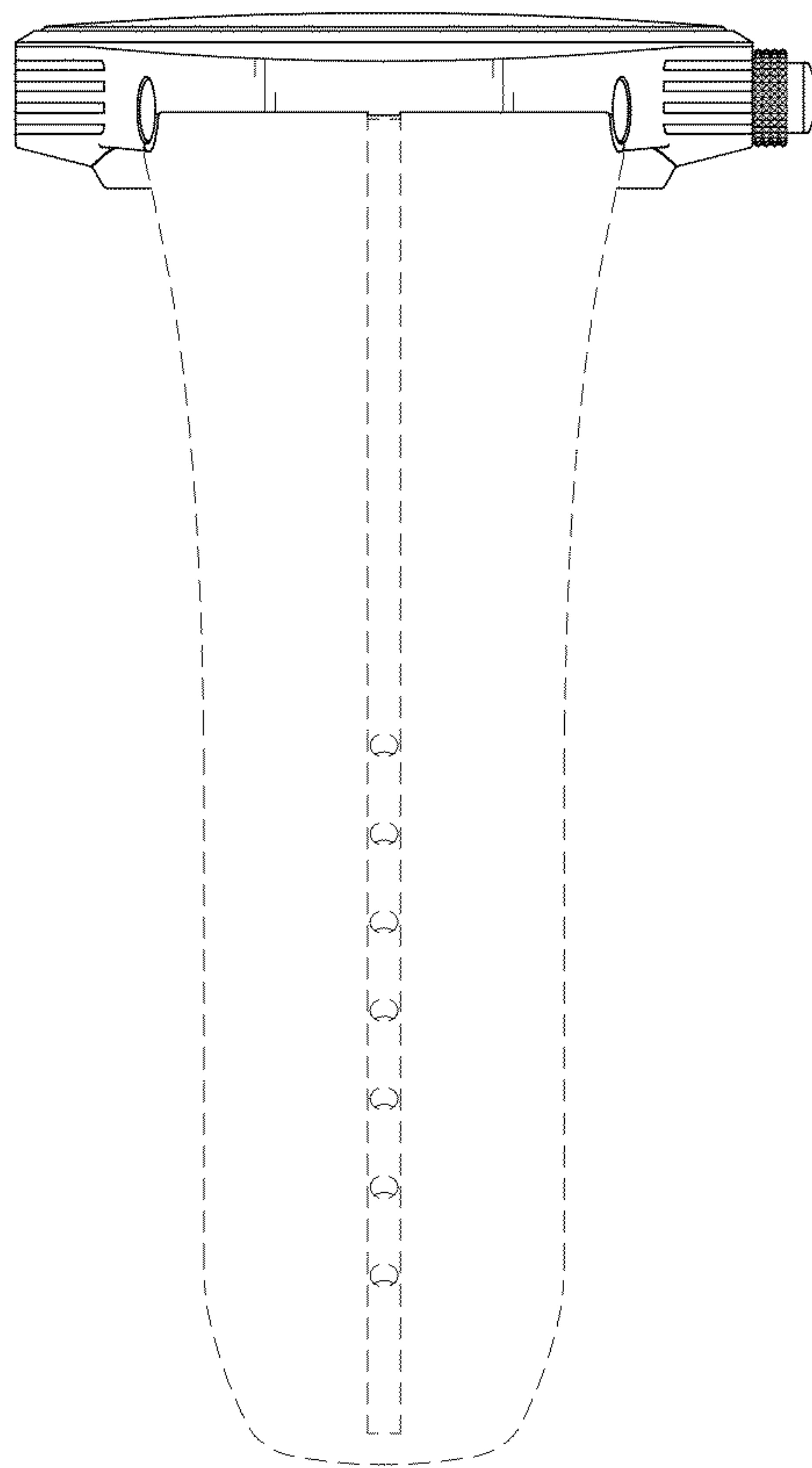




FIG. 3

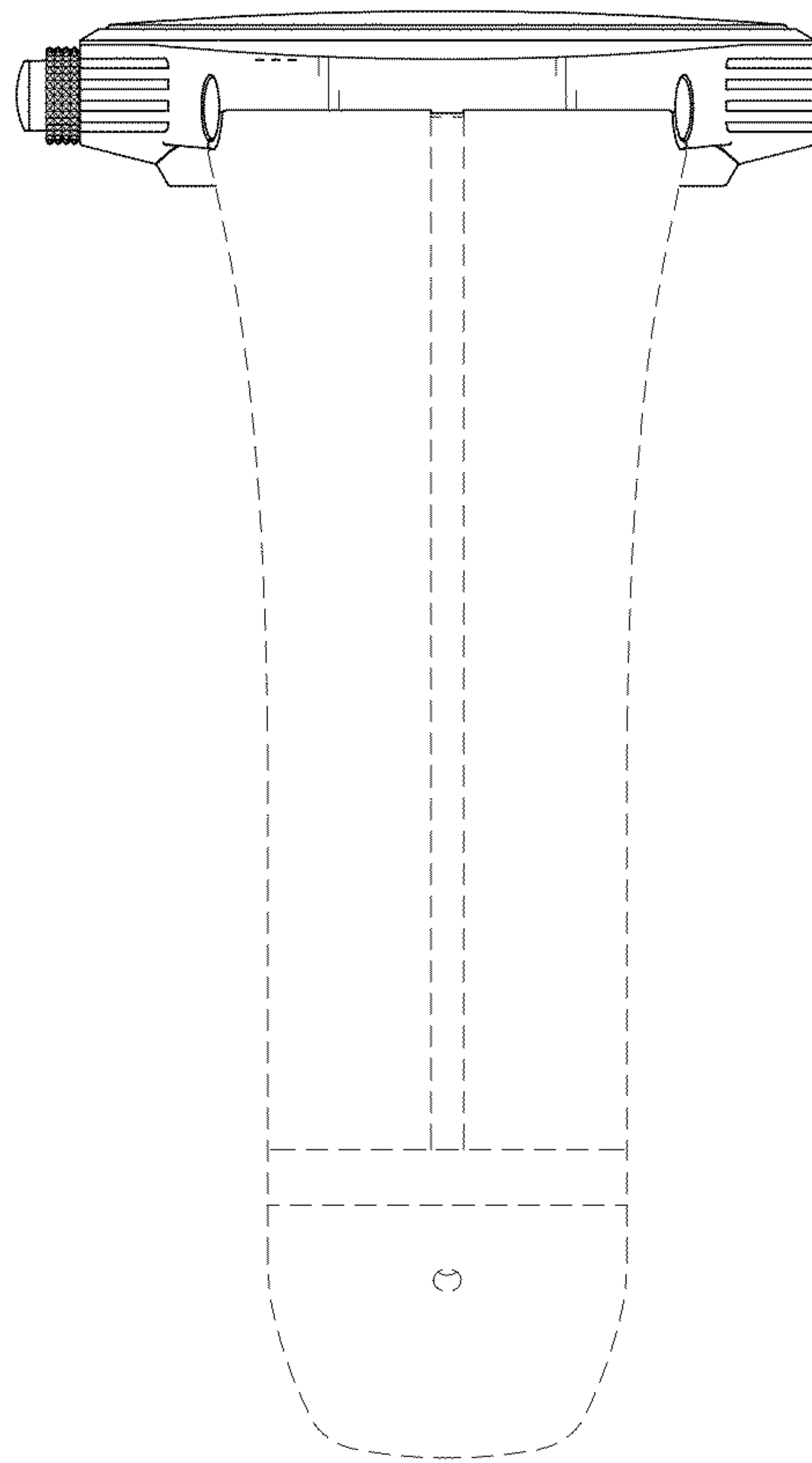


FIG. 4

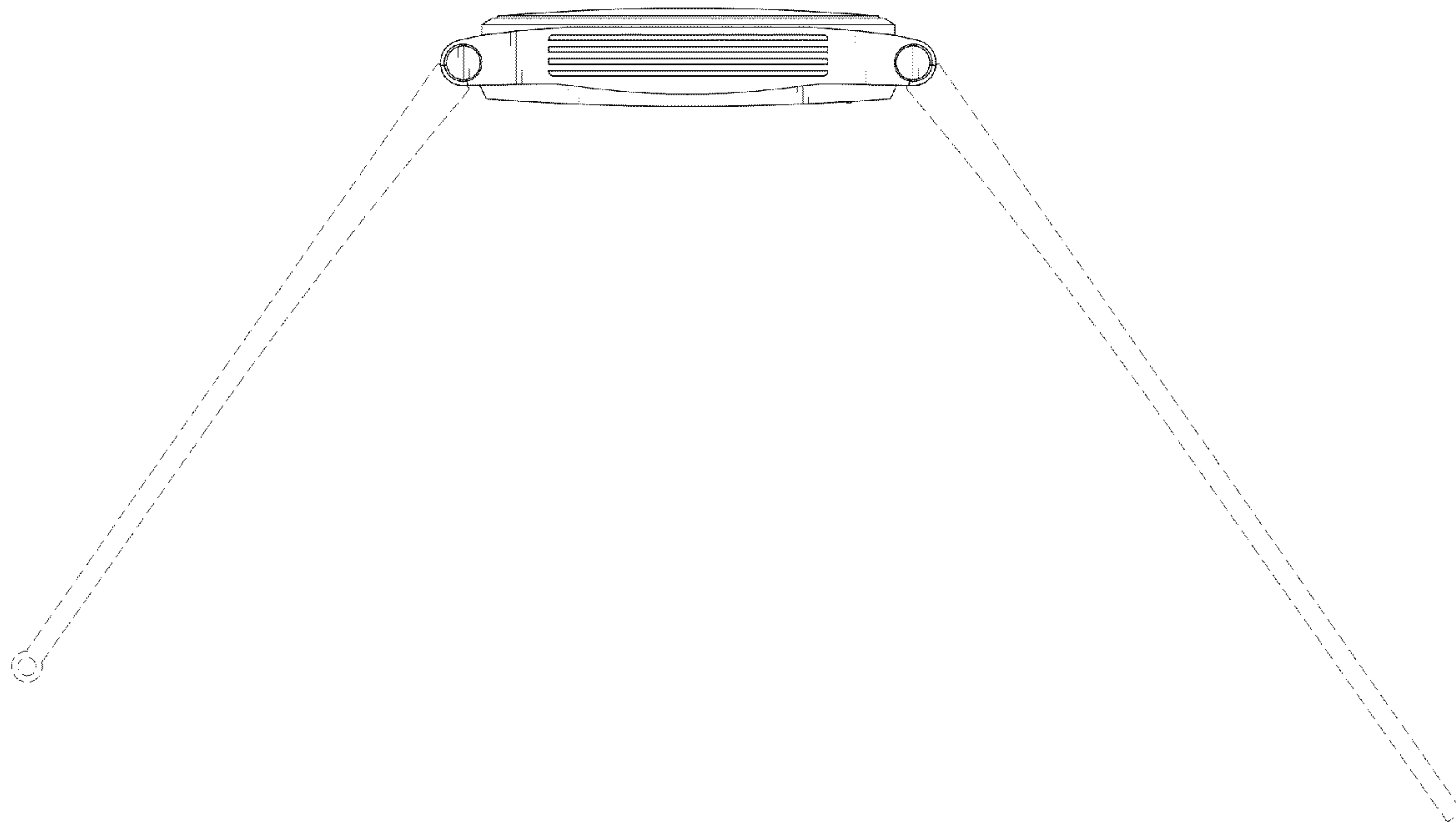


FIG. 5

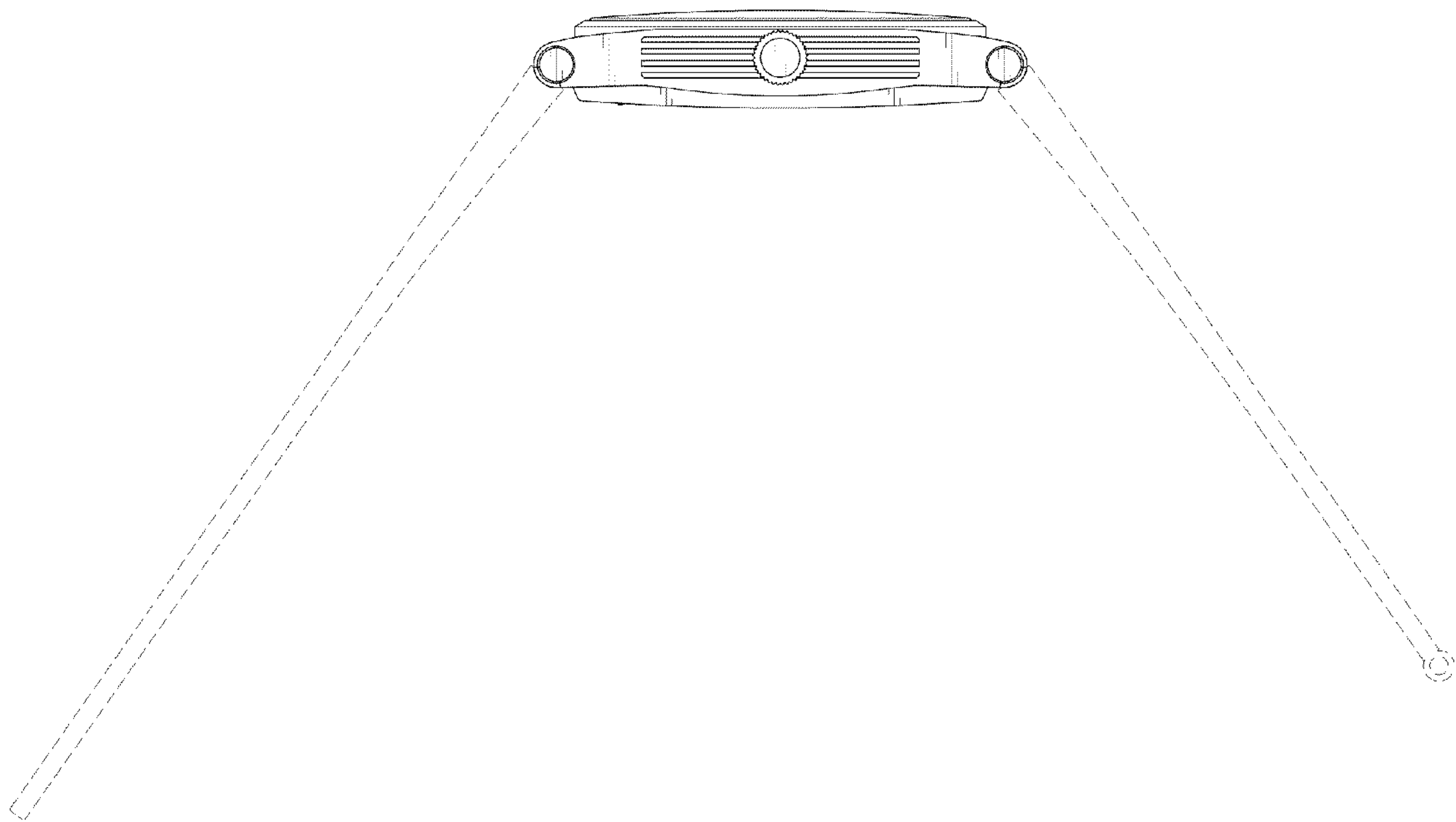


FIG. 6

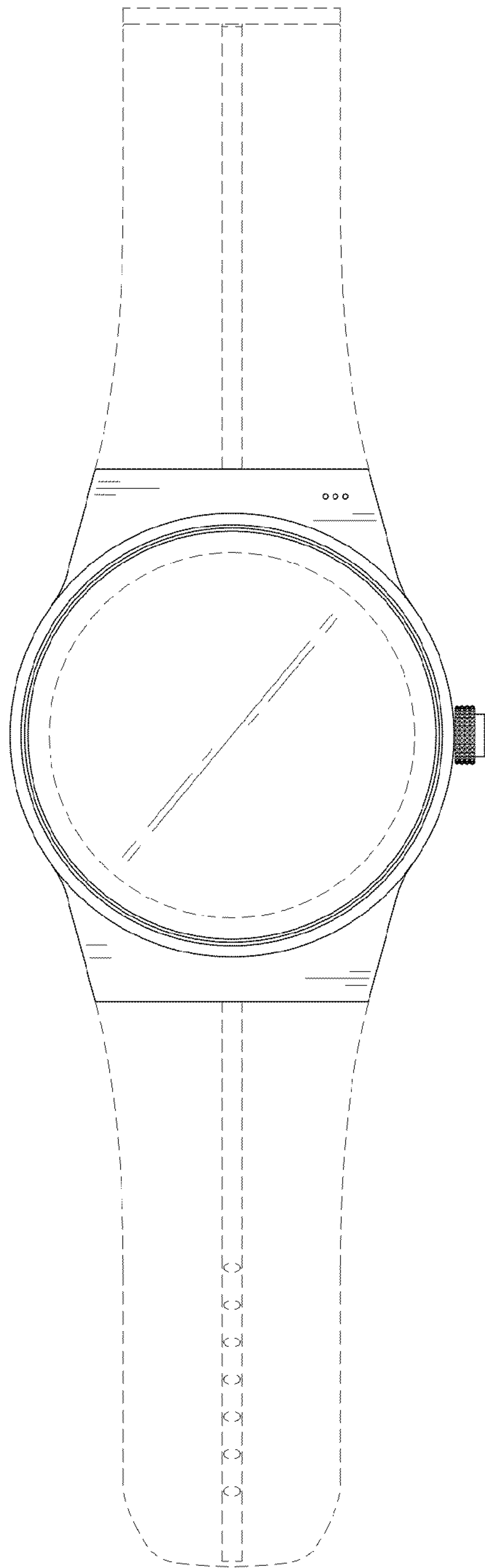




FIG. 7

