



US00D717755S

(12) **United States Design Patent**
Seong

(10) **Patent No.:** **US D717,755 S**

(45) **Date of Patent:** **** Nov. 18, 2014**

(54) **TELEVISION RECEIVER**

(56) **References Cited**

(71) Applicant: **Samsung Electronics Co., Ltd.**,
Suwon-si (KR)

U.S. PATENT DOCUMENTS

(72) Inventor: **Bo-Kyung Seong**, Seoul (KR)

6,918,562	B2 *	7/2005	Lee et al.	248/130
D508,055	S *	8/2005	Lo	D14/451
D628,172	S *	11/2010	Chien	D14/126
8,120,897	B2 *	2/2012	VanDuyn et al.	361/679.22
D682,232	S *	5/2013	Lee et al.	D14/126
D686,585	S *	7/2013	Yoon et al.	D14/126
D691,977	S *	10/2013	Lee et al.	D14/126
8,640,306	B2 *	2/2014	Hirota	16/334
2004/0155166	A1 *	8/2004	Kim	248/291.1

(73) Assignee: **Samsung Electronics Co., Ltd.**,
Suwon-si (KR)

(**) Term: **14 Years**

* cited by examiner

(21) Appl. No.: **29/446,916**

Primary Examiner — Raphael Barkai

(22) Filed: **Feb. 28, 2013**

(74) *Attorney, Agent, or Firm* — NSIP Law

(30) **Foreign Application Priority Data**

Aug. 29, 2012 (KR) 30-2012-0041444

(51) **LOC (10) Cl.** **14-03**

(57) **CLAIM**

The ornamental design for a television receiver, as shown and described.

(52) **U.S. Cl.**

USPC **D14/126**

DESCRIPTION

(58) **Field of Classification Search**

CPC F16M 11/10; F16M 13/02; G06F 1/1601;
G06F 1/1643

USPC D14/125-134, 239, 371, 136, 374-377,
D14/440, 450, 448, 336, 342, 159; 312/7.2;
348/836, 838, 180, 184, 325, 739;
248/917-924, 465; 345/104, 133, 156,
345/168, 87, 173; D21/329, 515, 577, 622,
D21/333, 433, 448, 452, 450, 331, 505;
D10/15, 26; 446/484, 175, 356;
D6/477, 479, 300

FIG. 1 is a front perspective view of a television receiver;
FIG. 2 is a front view of the television receiver of FIG. 1;
FIG. 3 is a rear view of the television receiver of FIG. 1;
FIG. 4 is a left-side view of the television receiver of FIG. 1;
FIG. 5 is a right-side view of the television receiver of FIG. 1;
FIG. 6 is a top plan view of the television receiver of FIG. 1;
and,
FIG. 7 is a bottom plan view of the television receiver of FIG. 1.

See application file for complete search history.

1 Claim, 5 Drawing Sheets

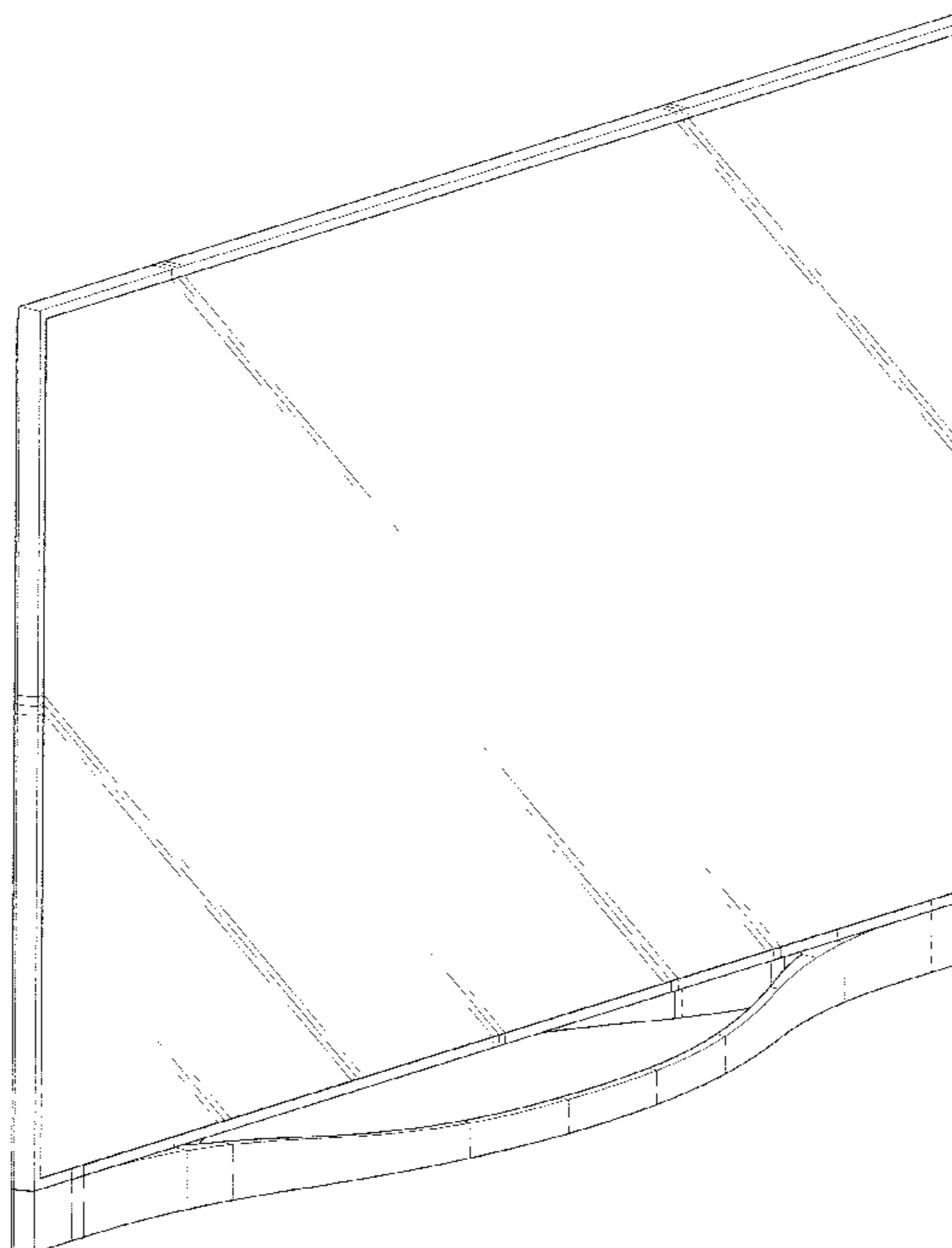


FIG. 1

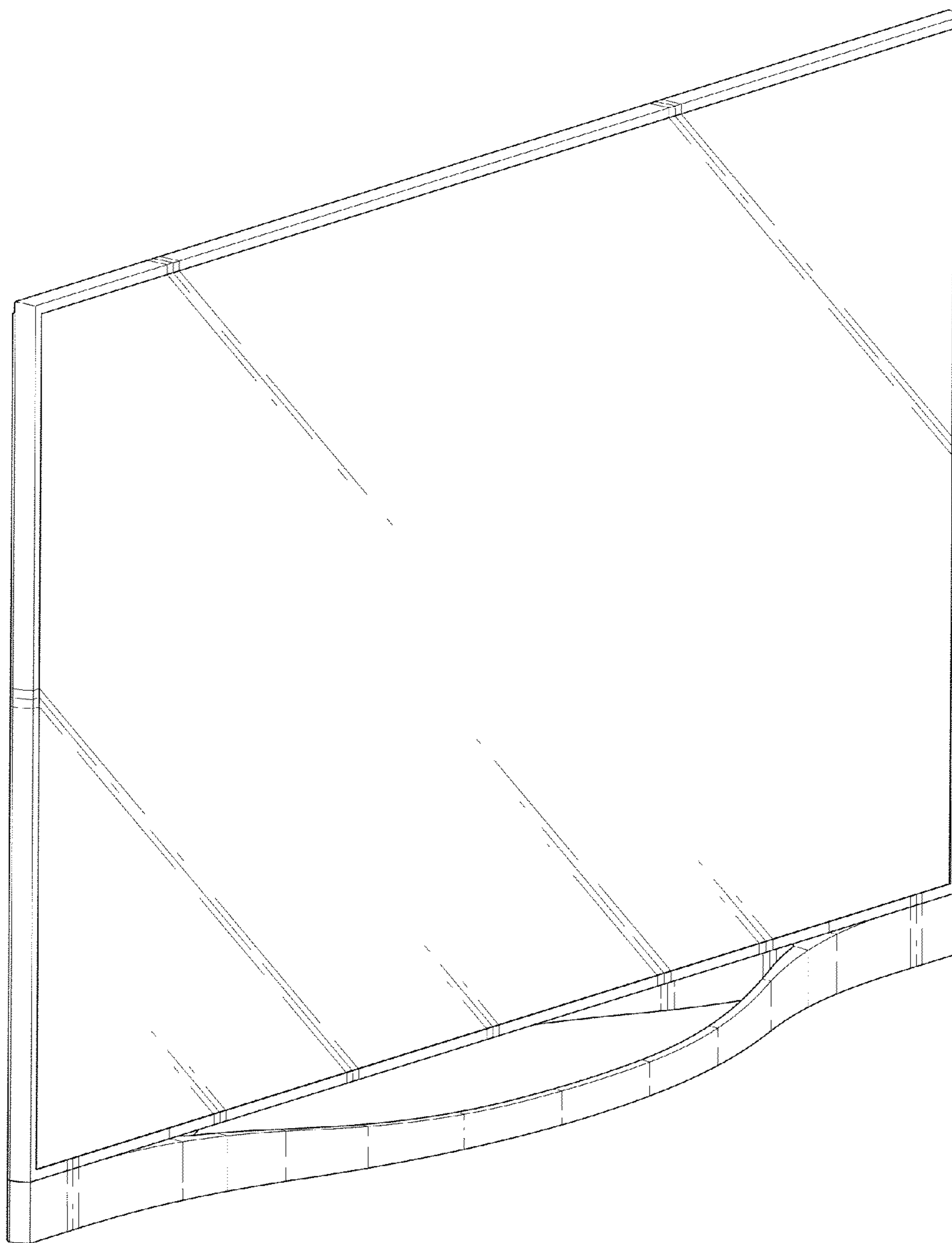


FIG. 2

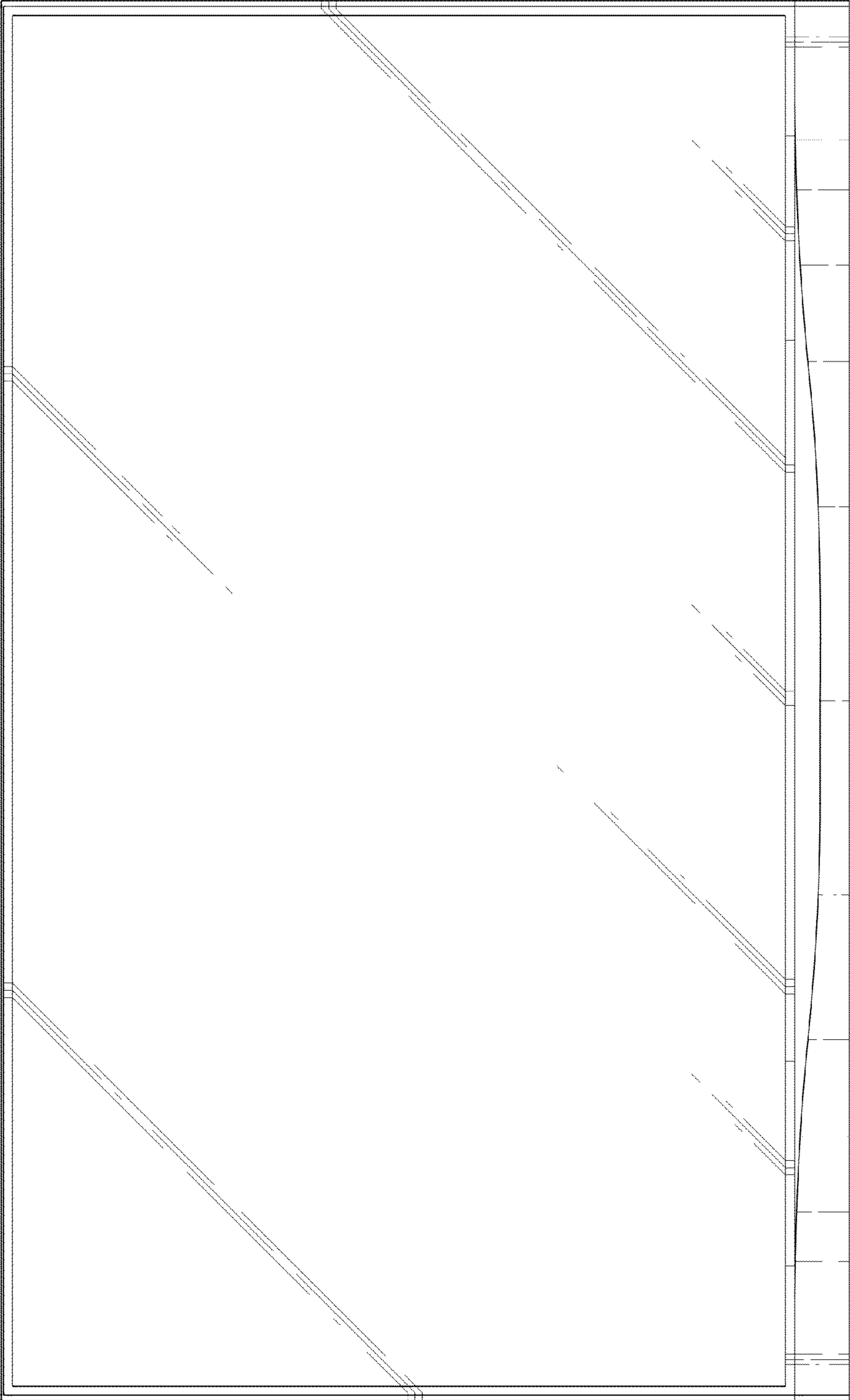


FIG. 3

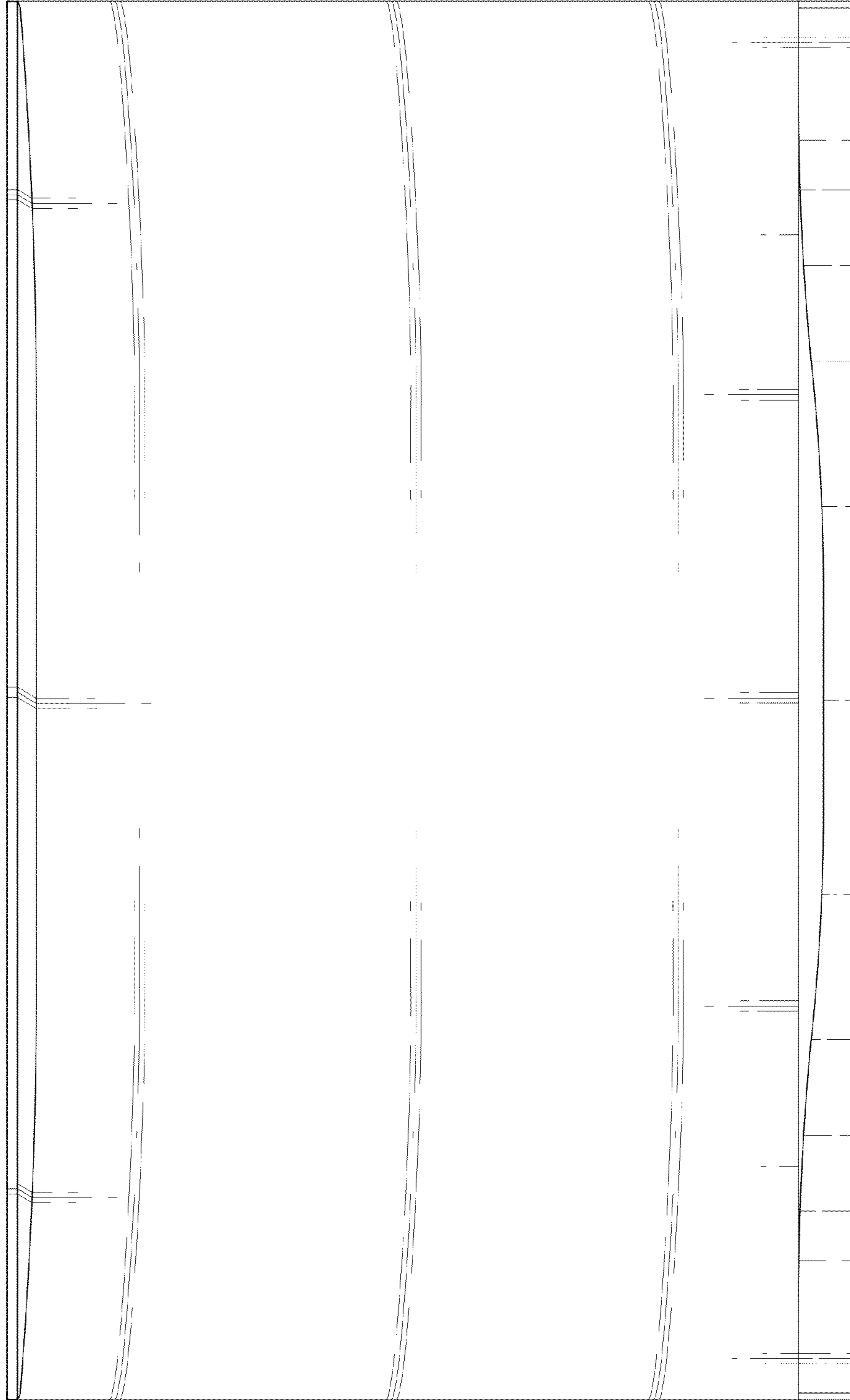


FIG. 4

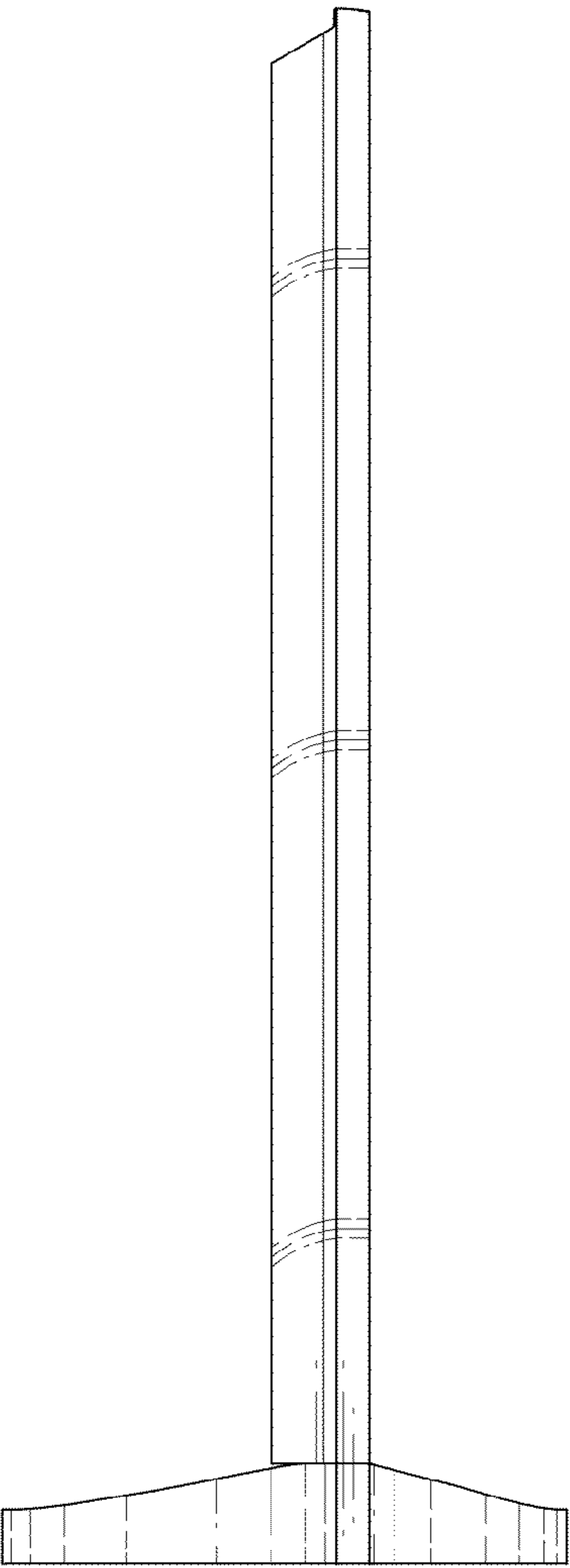


FIG. 5

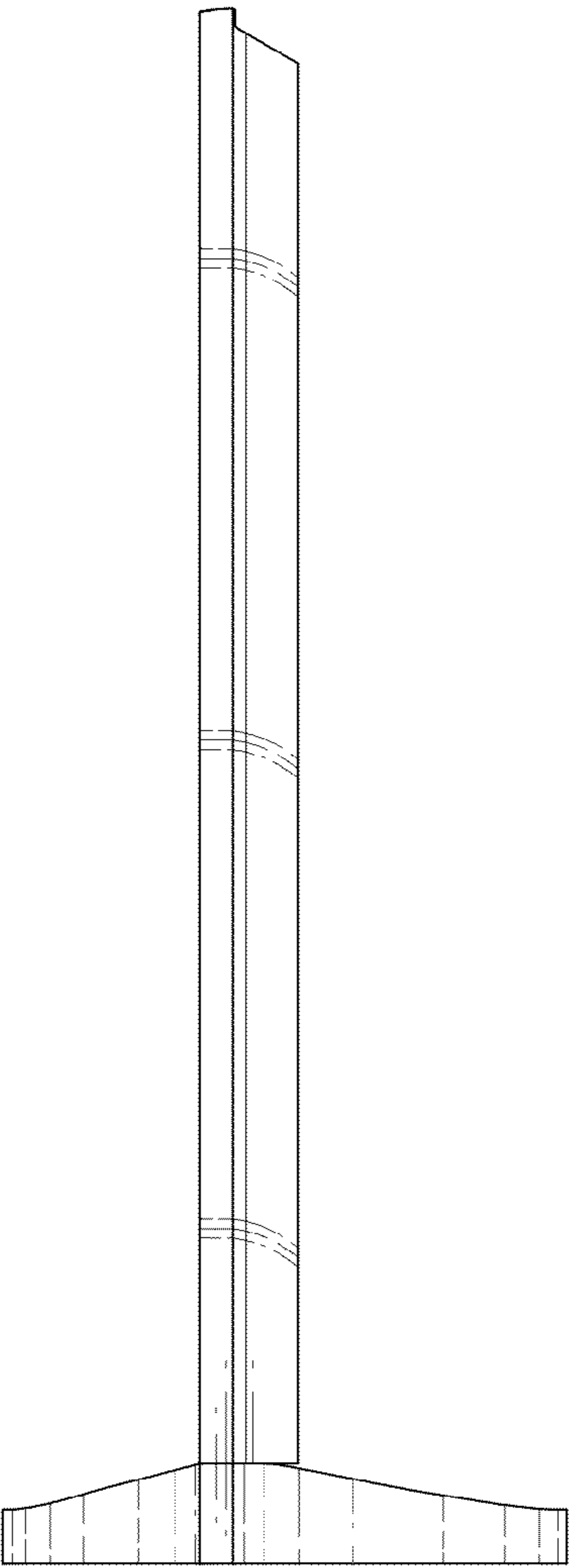


FIG. 6

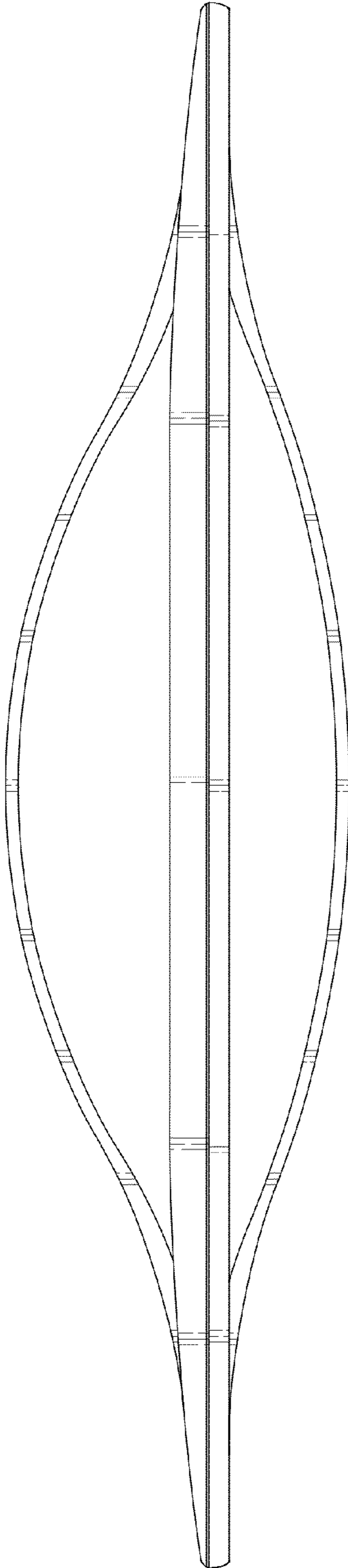


FIG. 7

