



US00D717754S

(12) **United States Design Patent**  
**Kim et al.**

(10) **Patent No.:** **US D717,754 S**

(45) **Date of Patent:** **\*\* Nov. 18, 2014**

(54) **TELEVISION RECEIVER**

(71) Applicant: **Samsung Electronics Co., Ltd.**,  
Suwon-si, Gyeonggi-do (KR)  
(72) Inventors: **Hee-Bong Kim**, Kimpo-Si (KR);  
**Eui-Seok Kim**, Seongnam-Si (KR)  
(73) Assignee: **Samsung Electronics Co., Ltd.**,  
Suwon-Si (KR)

(\*\*) Term: **14 Years**

(21) Appl. No.: **29/446,913**

(22) Filed: **Feb. 28, 2013**

(30) **Foreign Application Priority Data**

Aug. 29, 2012 (KR) ..... 30-2012-0041442

(51) **LOC (10) Cl.** ..... **14-03**

(52) **U.S. Cl.**  
USPC ..... **D14/126**

(58) **Field of Classification Search**  
USPC ..... D14/126, 127, 128, 129, 239, 136, 341,  
D14/479, 389, 397, 308, 412, 157, 155, 511,  
D14/132, 371-375, 336, 337; 312/7.2;  
348/836, 838, 180, 184, 325, 739;  
341/12; 248/917-924, 465; 345/104,  
345/133, 156, 168, 87, 173; 720/605, 600,  
720/655; 455/347; D27/126; D10/15, 26;  
D6/610, 300, 308; 361/679.05, 679.07,  
361/679.21; 349/1, 2, 11, 62; 273/148 B

See application file for complete search history.

(56) **References Cited**

U.S. PATENT DOCUMENTS

D504,876	S	*	5/2005	Zheng	.....	D14/126
D603,816	S	*	11/2009	Kim et al.	.....	D14/126
D659,661	S	*	5/2012	Lim et al.	.....	D14/126
D680,508	S	*	4/2013	Kim et al.	.....	D14/126
D682,227	S	*	5/2013	Lee et al.	.....	D14/126
D703,627	S	*	4/2014	Son et al.	.....	D14/126
2012/0162543	A1	*	6/2012	Tomioka et al.	.....	348/739
2013/0286295	A1	*	10/2013	Takahashi et al.	.....	348/836

\* cited by examiner

*Primary Examiner* — Robert M Spear

*Assistant Examiner* — Eliza Bennett-Hattan

(74) *Attorney, Agent, or Firm* — NSIP Law

(57) **CLAIM**

The ornamental design for a television receiver, as shown and described.

**DESCRIPTION**

FIG. 1 is a front perspective view of a television receiver;  
FIG. 2 is a front view of the television receiver of FIG. 1;  
FIG. 3 is a rear view of the television receiver of FIG. 1;  
FIG. 4 is a left-side view of the television receiver of FIG. 1;  
FIG. 5 is a right-side view of the television receiver of FIG. 1;  
FIG. 6 is a top plan view of the television receiver of FIG. 1;  
and,  
FIG. 7 is a bottom plan view of the television receiver of FIG. 1.

Features shown in broken lines in FIGS. 3, 4, 5, 6, and 7, form no part of the claimed design.

**1 Claim, 5 Drawing Sheets**

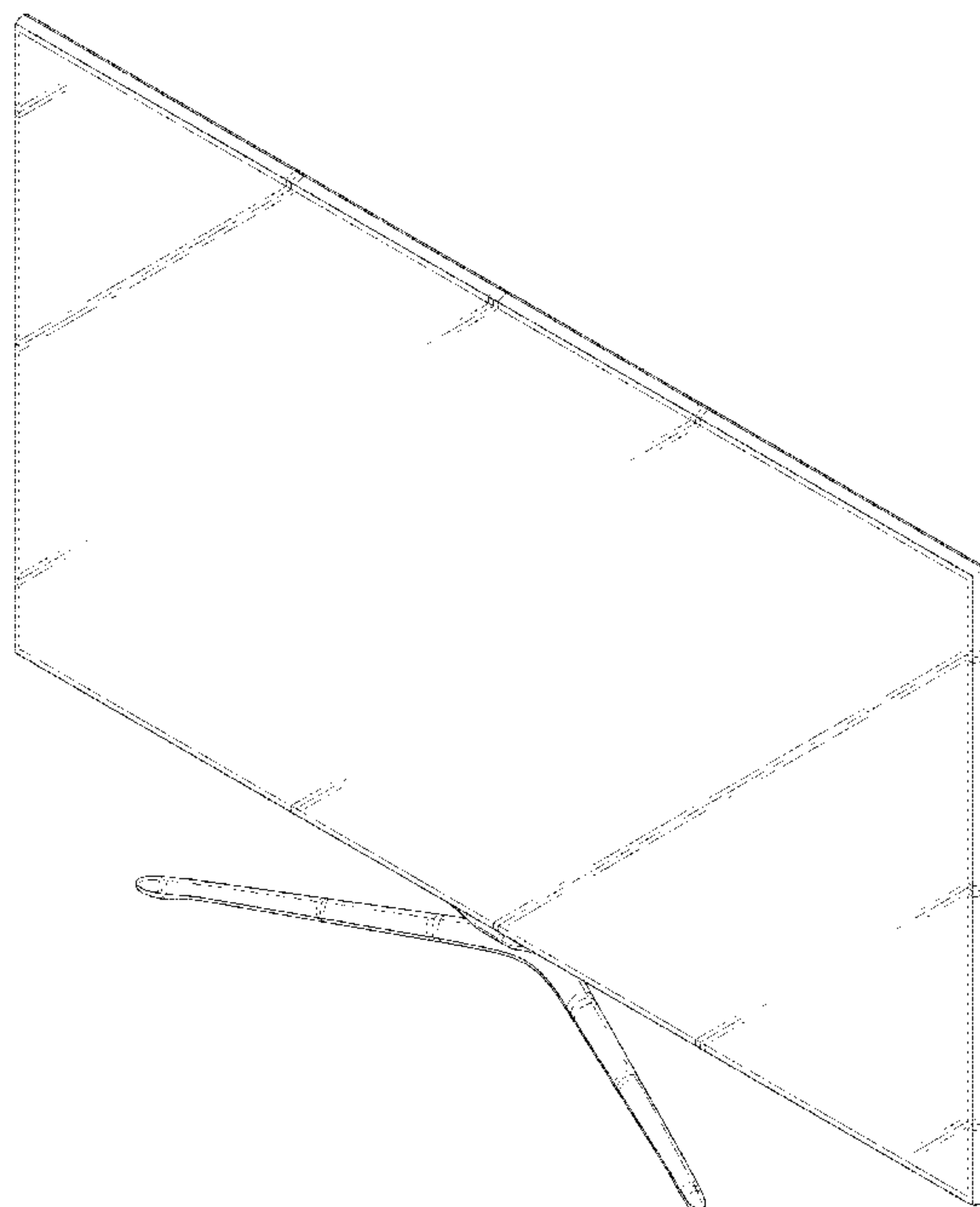


FIG. 1

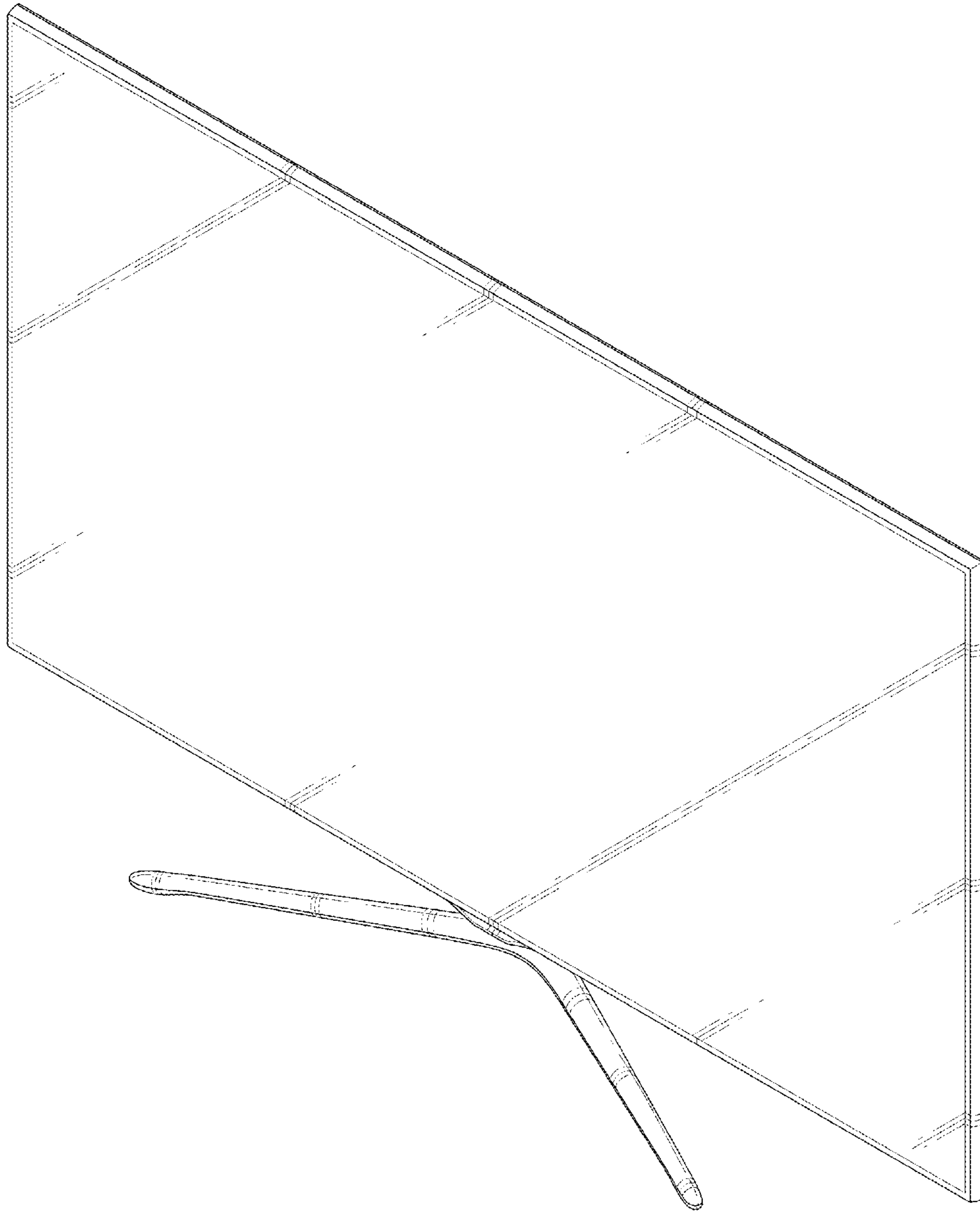


FIG. 2

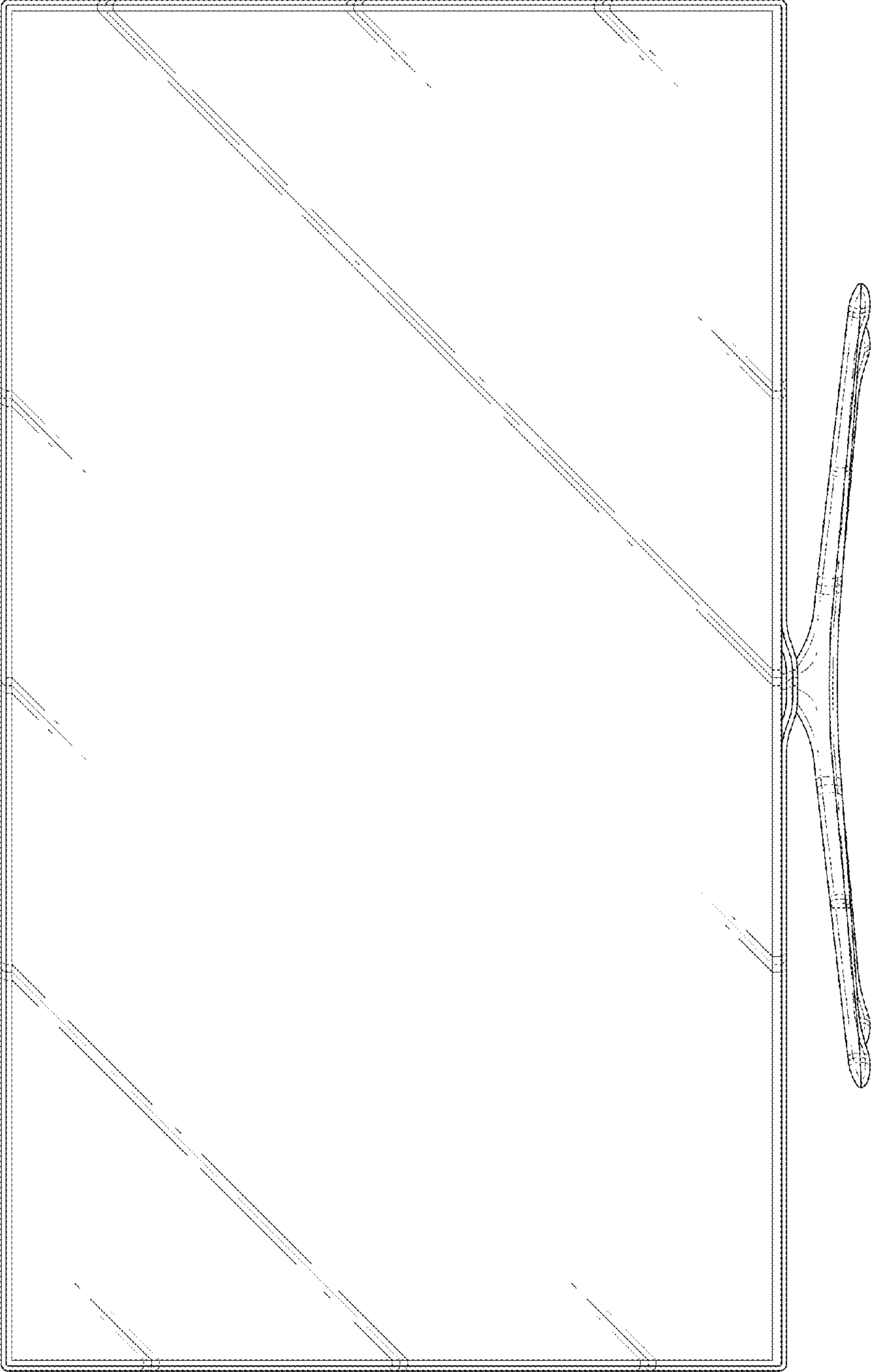


FIG. 3

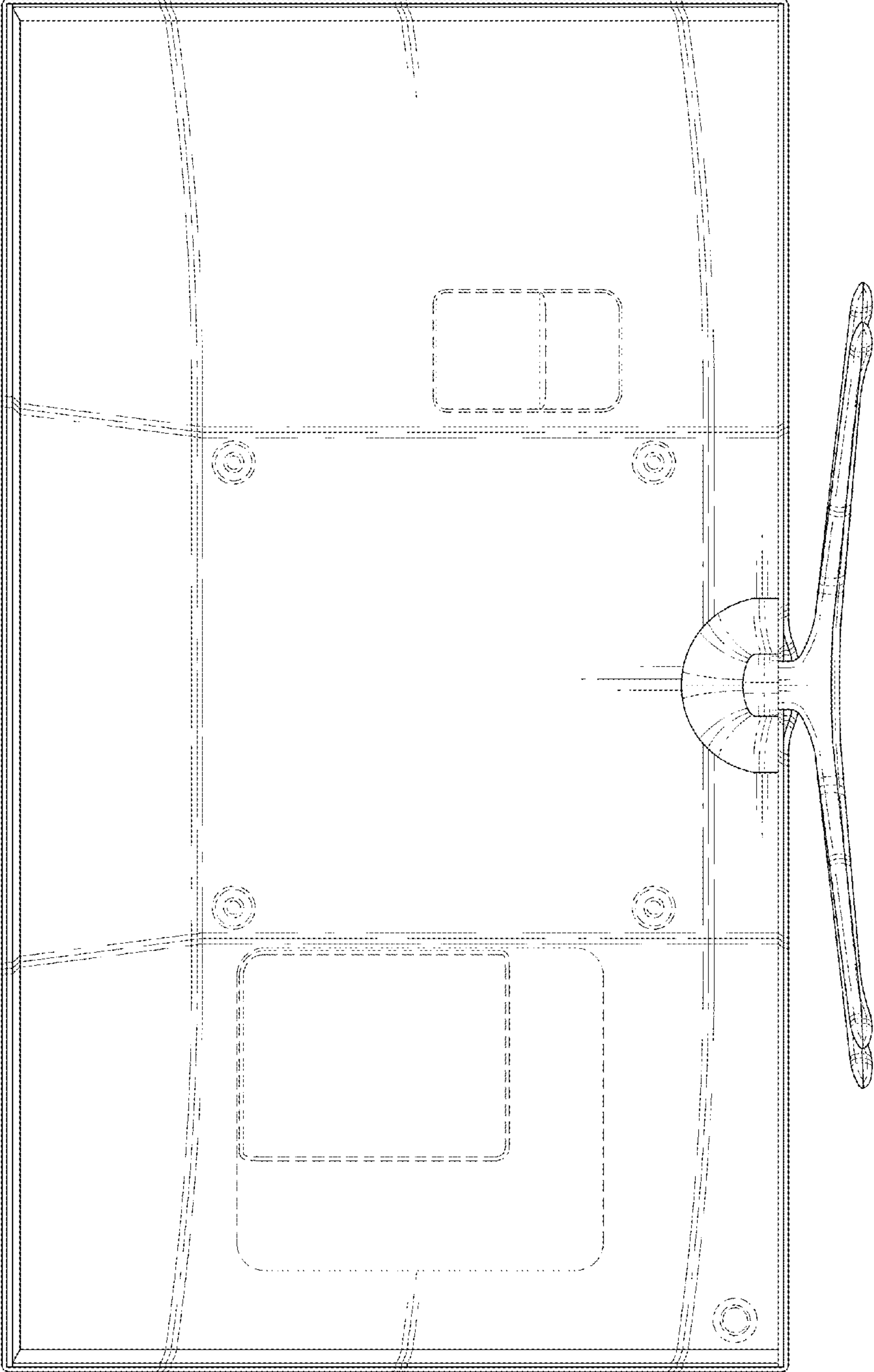


FIG. 4

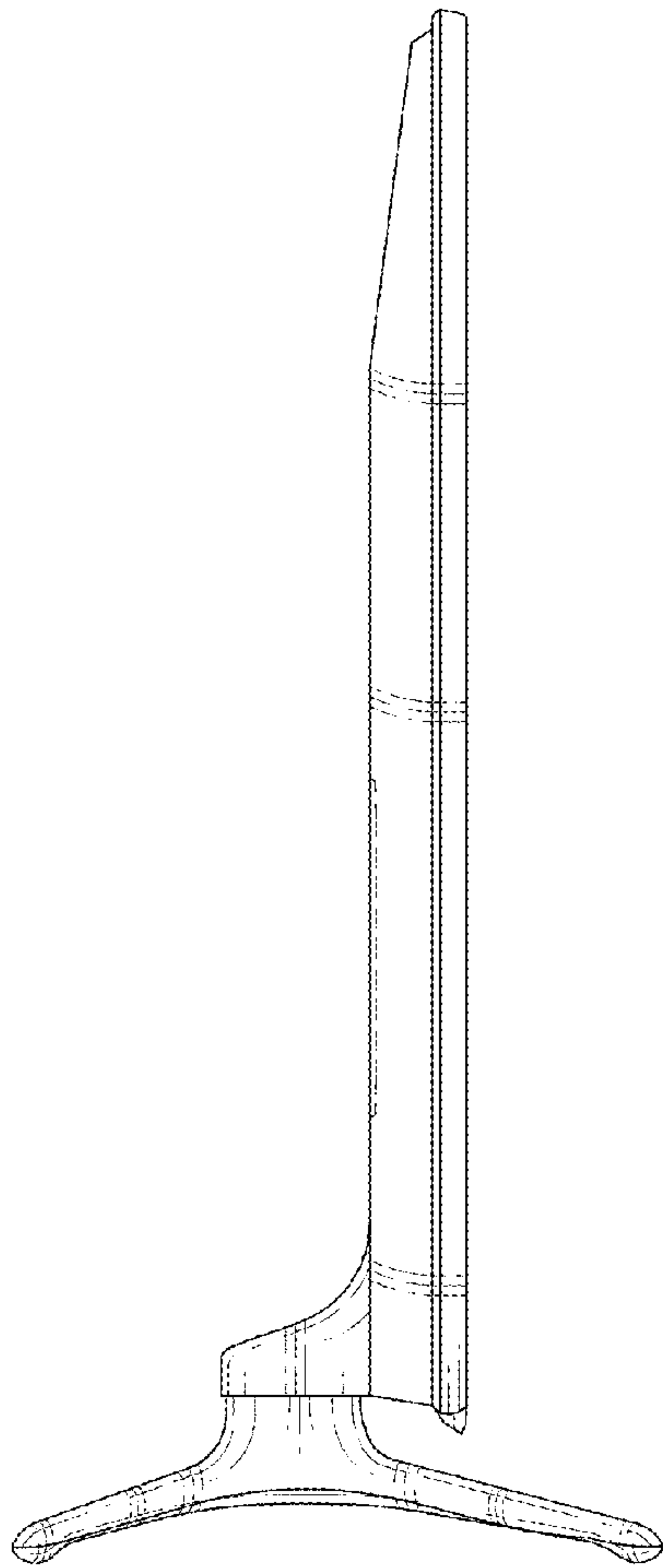


FIG. 5

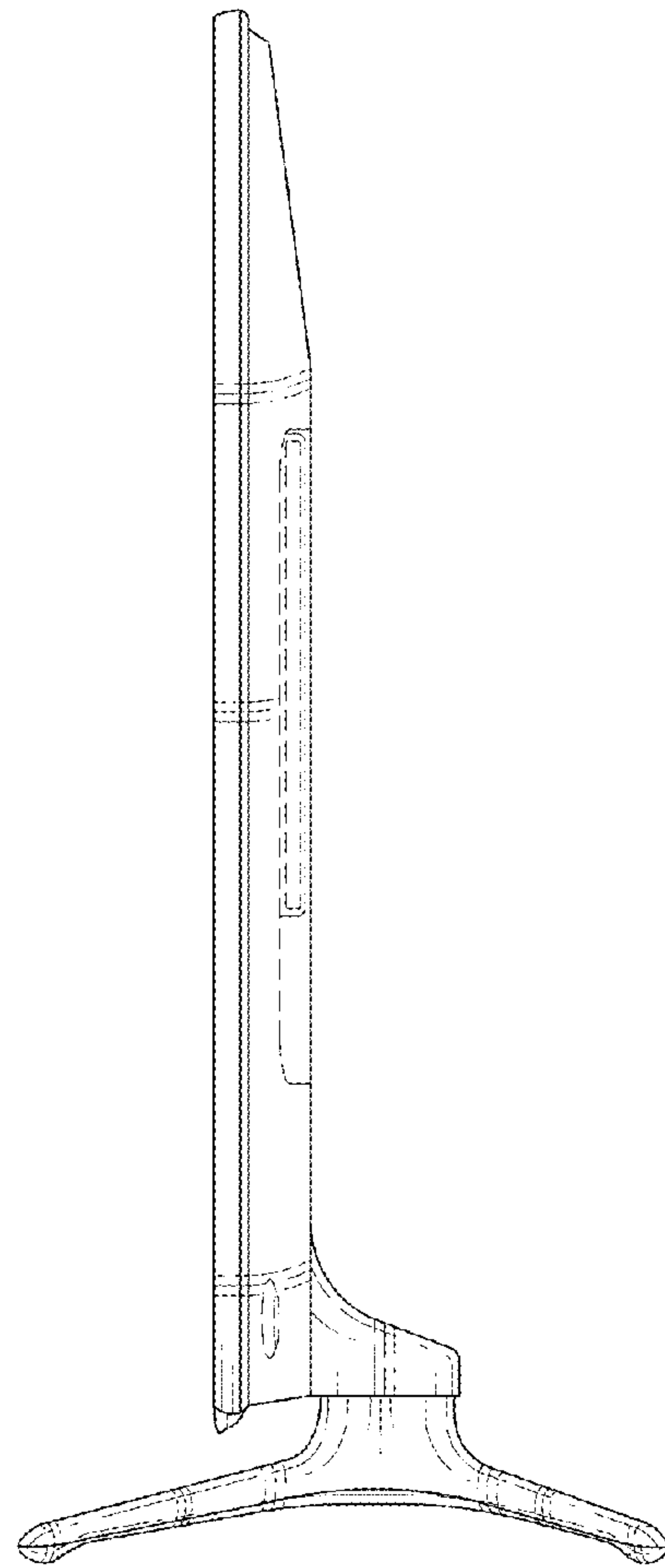




FIG. 6

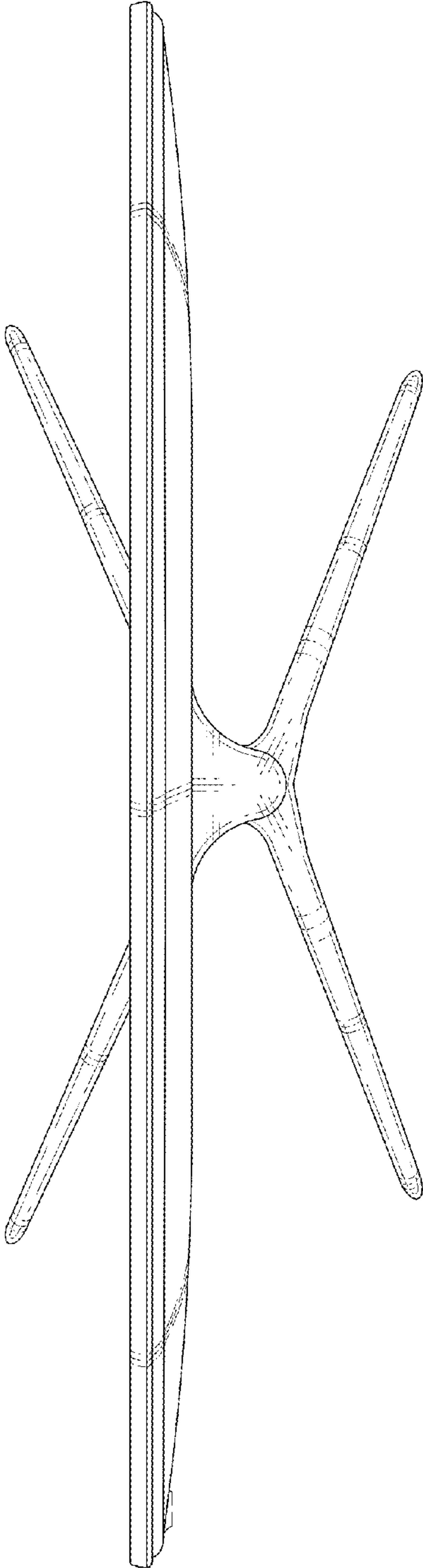


FIG. 7

