



US00D717748S

(12) **United States Design Patent**  
**Nishimoto et al.**

(10) **Patent No.:** **US D717,748 S**

(45) **Date of Patent:** **\*\* Nov. 18, 2014**

(54) **SET TOP BOX**

(56) **References Cited**

(71) Applicant: **Sumitomo Electric Networks, Inc.,**  
Tokyo (JP)

U.S. PATENT DOCUMENTS

(72) Inventors: **Hiroaki Nishimoto**, Tokyo (JP);  
**Takahiro Kusumoto**, Tokyo (JP); **Kenta Tsutiya**, Tokyo (JP); **Mitsuhiro Matsuo**, Tokyo (JP); **Hiroyuki Kohama**, Tokyo (JP); **Tatsuo Yoneda**, Tokyo (JP)

D515,545	S	*	2/2006	Griffin	.....	D14/155
D532,776	S	*	11/2006	Griffin	.....	D14/435.1
D533,518	S	*	12/2006	Hsiung	.....	D14/125
D577,019	S	*	9/2008	Udagawa et al.	.....	D14/435.1
D579,934	S	*	11/2008	Okamoto et al.	.....	D14/435.1
D585,061	S	*	1/2009	Han	.....	D14/358
7,586,460	B2	*	9/2009	Hunt et al.	.....	343/882
D606,077	S	*	12/2009	Hu et al.	.....	D14/480.1

(Continued)

(73) Assignee: **Sumitomo Electric Networks, Inc.,**  
Tokyo (JP)

OTHER PUBLICATIONS

(\*\*) Term: **14 Years**

Office Action dated Jan. 28, 2014 from corresponding Japanese design patent application No. 2013-016969 (with attached English-language translation).

(21) Appl. No.: **29/480,071**

*Primary Examiner* — Randall Gholson

(22) Filed: **Jan. 23, 2014**

(74) *Attorney, Agent, or Firm* — Drinker Biddle & Reath LLP

(30) **Foreign Application Priority Data**

(57) **CLAIM**

Jul. 25, 2013 (JP) ..... 2013-016969

The ornamental design for a set top box, as shown and described.

(51) **LOC (10) Cl.** ..... **14-03**

**DESCRIPTION**

(52) **U.S. Cl.**  
USPC ..... **D14/125**

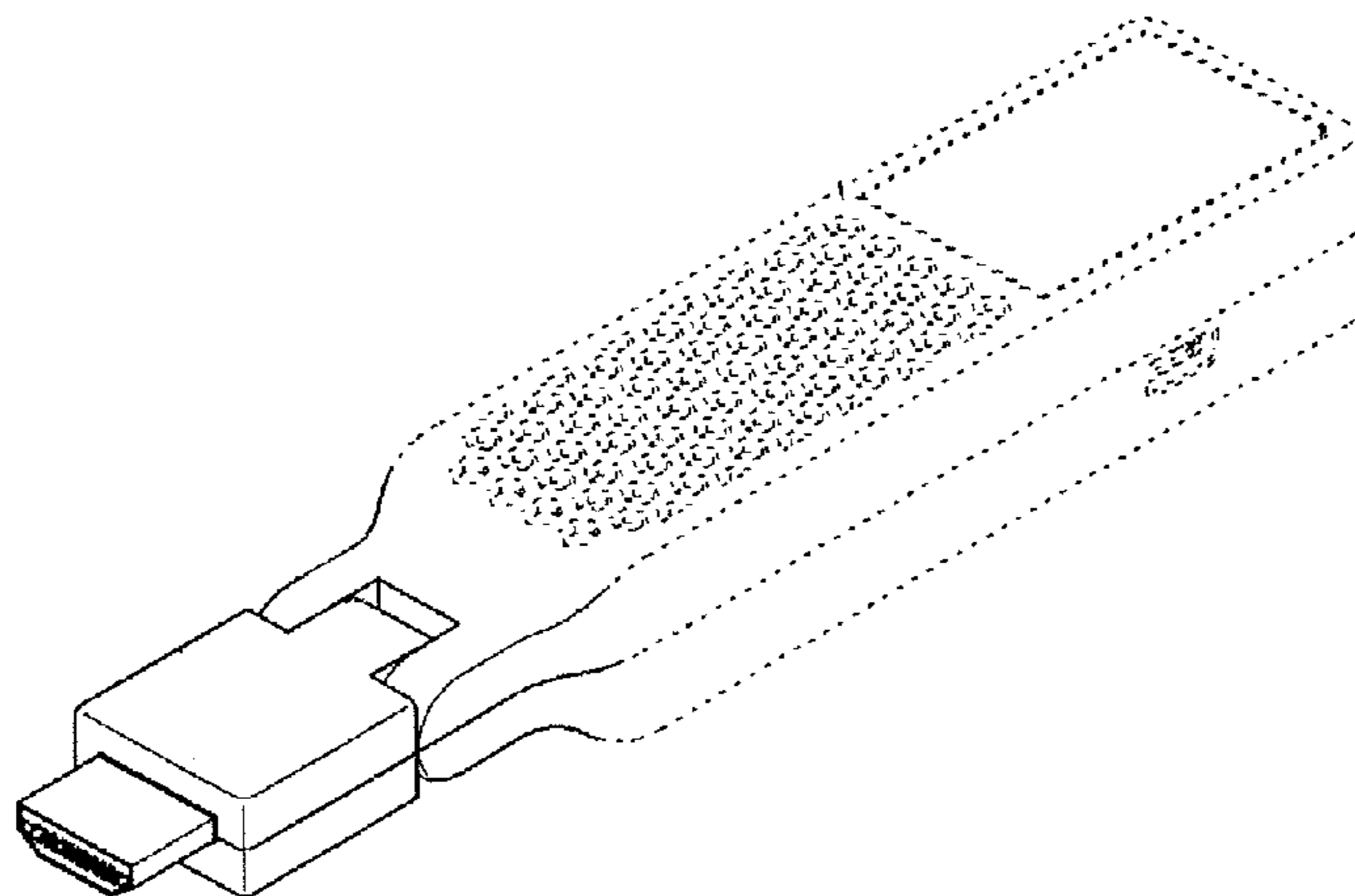
(58) **Field of Classification Search**  
USPC ..... D14/125, 435, 356, 242, 436, 433, 474, D14/240, 496, 385, 358, 480.1-480.7; 360/97.01, 685, 686, 752, 737, 732, 360/784, 803; 439/135, 144, 139-141, 147, 439/136, 638, 518, 131; 365/51, 63, 131; 710/52, 300, 313; 711/115, 103, 154, 711/161-162; 70/58; 323/210; 713/186, 1; 382/124; 235/492; D13/147

FIG. 1 is a top perspective view of a set top box.  
FIG. 2 is a front view of the set top box.  
FIG. 3 is a rear view of the set top box.  
FIG. 4 is a right side view of the set top box.  
FIG. 5 is a left side view of the set top box.  
FIG. 6 is a top view of the set top box.  
FIG. 7 is a bottom view of the set top box; and,  
FIG. 8 is a top perspective view of the set top box shown in an alternate configuration.

The broken lines shown in the drawings show unclaimed subject matter only and form no part of the claimed design.

See application file for complete search history.

**1 Claim, 8 Drawing Sheets**



(56)

**References Cited**

U.S. PATENT DOCUMENTS

D684,976 S *	6/2013	Akana et al. ....	D14/433	
8,682,262 B2 *	3/2014	Austin et al. ....	455/91	
2009/0096681 A1 *	4/2009	Hunt et al. ....	343/702	
D672,351 S *	12/2012	Camacho et al. ....	D14/435.1	
8,354,966 B2 *	1/2013	Delmotte et al. ....	343/702	* cited by examiner

Fig. 1

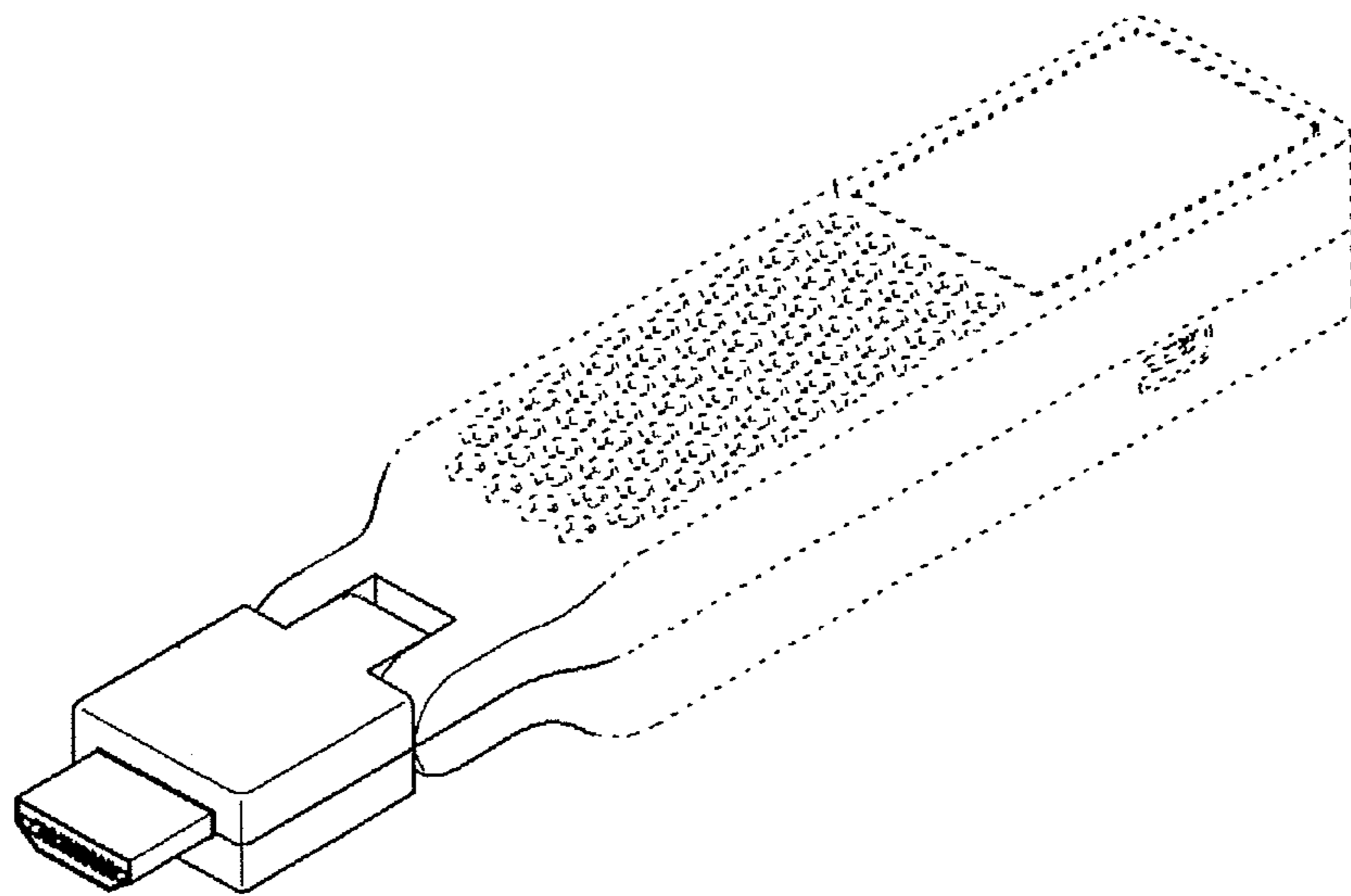


Fig. 2

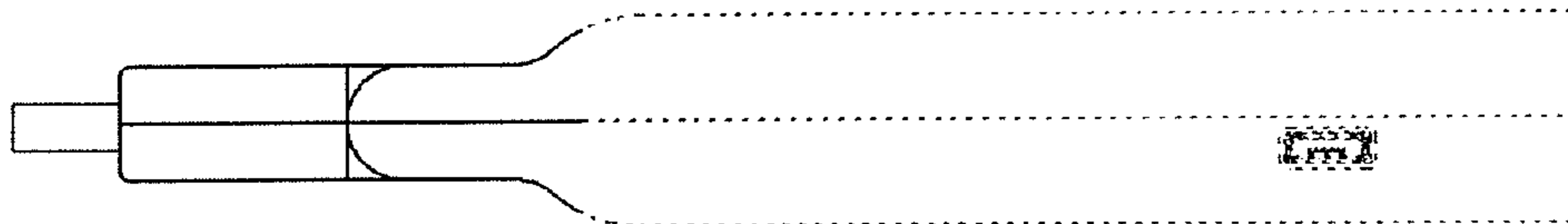


Fig. 3

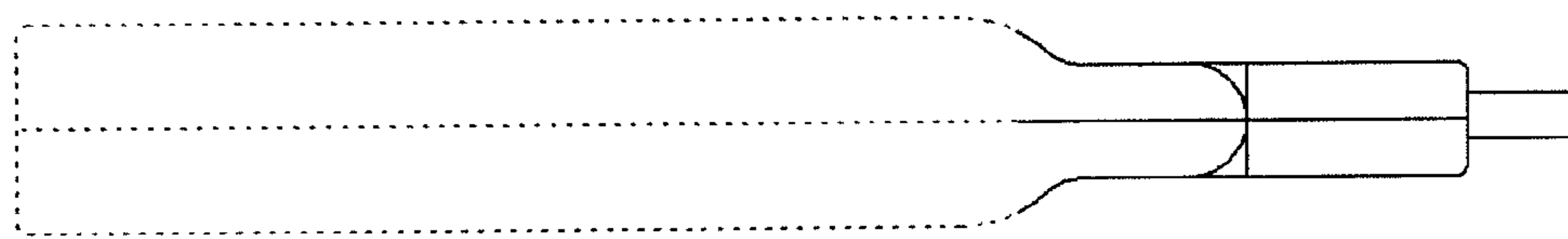


Fig. 4

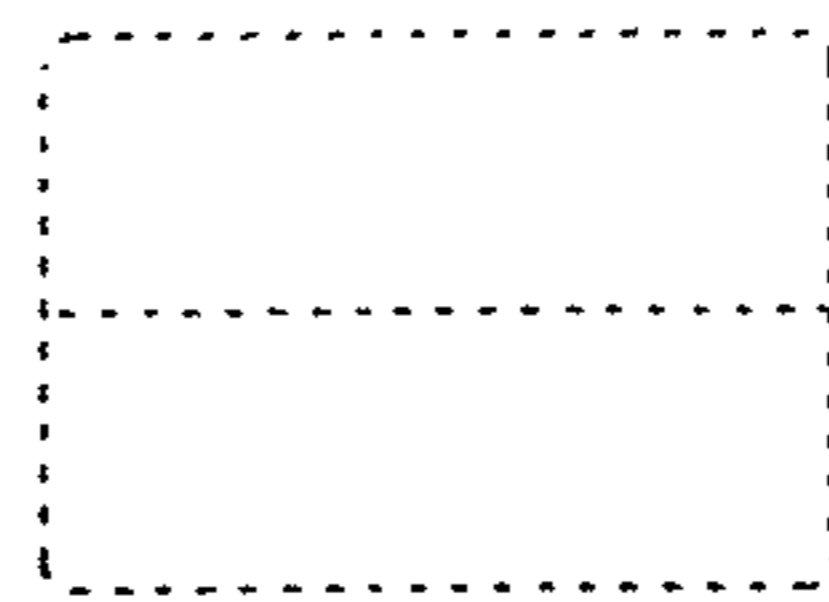


Fig. 5

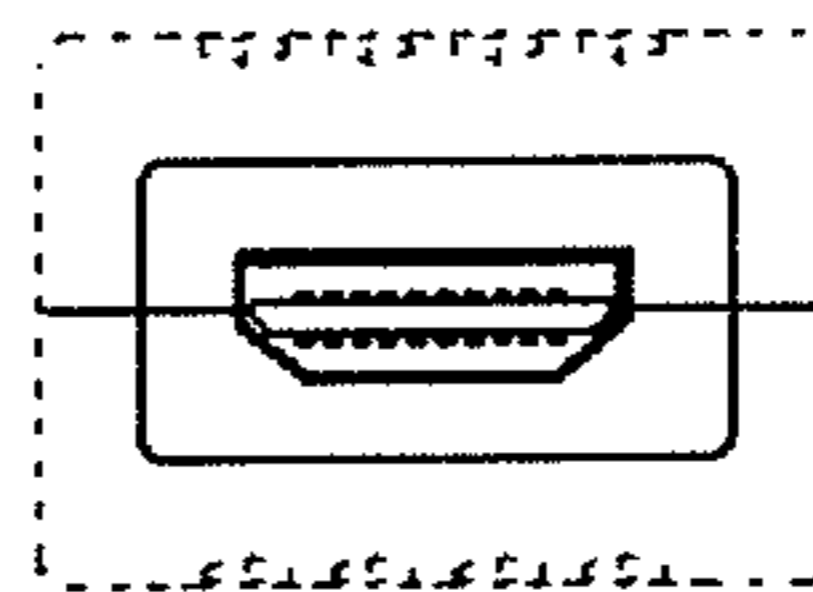


Fig. 6

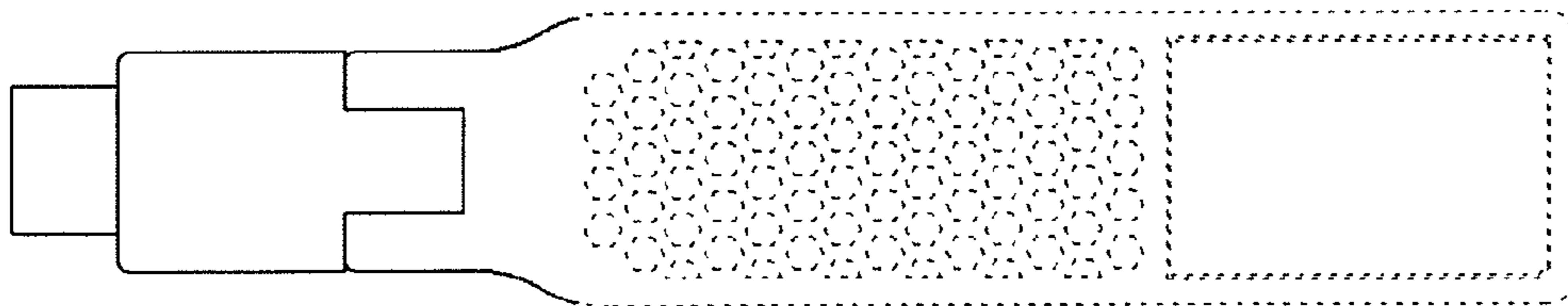




Fig. 7

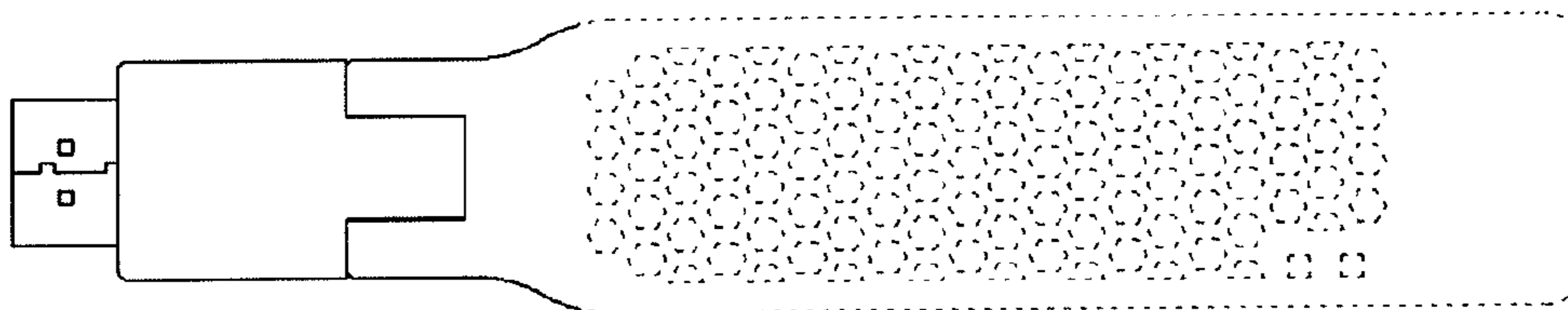


Fig. 8

