



US00D717747S

(12) **United States Design Patent**  
**Nishimoto et al.**

(10) **Patent No.:** **US D717,747 S**

(45) **Date of Patent:** **\*\* Nov. 18, 2014**

(54) **SET TOP BOX**

(71) Applicant: **Sumitomo Electric Networks, Inc.**,  
Tokyo (JP)

(72) Inventors: **Hiroaki Nishimoto**, Tokyo (JP);  
**Takahiro Kusumoto**, Tokyo (JP); **Kenta Tsutiya**, Tokyo (JP); **Mitsuhiro Matsuo**, Tokyo (JP); **Hiroyuki Kohama**, Tokyo (JP); **Tatsuo Yoneda**, Tokyo (JP)

(73) Assignee: **Sumitomo Electric Networks, Inc.**,  
Tokyo (JP)

(\*\*) Term: **14 Years**

(21) Appl. No.: **29/480,066**

(22) Filed: **Jan. 23, 2014**

(30) **Foreign Application Priority Data**

Jul. 25, 2013 (JP) ..... 2013-016968

(51) **LOC (10) Cl.** ..... **14-03**

(52) **U.S. Cl.**  
USPC ..... **D14/125**

(58) **Field of Classification Search**

USPC ..... D14/125, 435, 356, 242, 436, 433, 474,  
D14/240, 496, 385, 358, 480.1-480.7;  
360/97.01, 685, 686, 752, 737, 732,  
360/784, 803; 439/135, 144, 139-141, 147,  
439/136, 638, 518, 131; 365/51, 63, 131;  
710/52, 300, 313; 711/115, 103, 154,  
711/161-162; 70/58; 323/210; 713/186, 1;  
382/124; 235/492; D13/147

See application file for complete search history.

(56) **References Cited**

**U.S. PATENT DOCUMENTS**

D515,545 S \* 2/2006 Griffin ..... D14/155  
D532,776 S \* 11/2006 Griffin ..... D14/435.1

D533,518 S \* 12/2006 Hsiung ..... D14/125  
D577,019 S \* 9/2008 Udagawa et al. .... D14/435.1  
D579,934 S \* 11/2008 Okamoto et al. .... D14/435.1  
D585,061 S \* 1/2009 Han ..... D14/358  
7,586,460 B2 \* 9/2009 Hunt et al. .... 343/882  
D606,077 S \* 12/2009 Hu et al. .... D14/480.1  
D672,351 S \* 12/2012 Camacho et al. .... D14/435.1  
8,354,966 B2 \* 1/2013 Delmotte et al. .... 343/702  
D684,976 S \* 6/2013 Akana et al. .... D14/433  
8,682,262 B2 \* 3/2014 Austin et al. .... 455/91  
2009/0096681 A1 \* 4/2009 Hunt et al. .... 343/702

**OTHER PUBLICATIONS**

Office Action dated Jan. 28, 2014 from corresponding Japanese design patent application No. 2013-016968 (with attached English-language translation).

\* cited by examiner

*Primary Examiner* — Randall Gholson

(74) *Attorney, Agent, or Firm* — Drinker Biddle & Reath LLP

(57) **CLAIM**

The ornamental design for a set top box, as shown and described.

**DESCRIPTION**

FIG. 1 is a top perspective view of a set top box.  
FIG. 2 is a front view of the set top box.  
FIG. 3 is a rear view of the set top box.  
FIG. 4 is a right side view of the set top box.  
FIG. 5 is a left side view of the set top box.  
FIG. 6 is a top view of the set top box.  
FIG. 7 is a bottom view of the set top box; and,  
FIG. 8 is a top perspective view of the set top box shown in an alternate configuration.

**1 Claim, 8 Drawing Sheets**

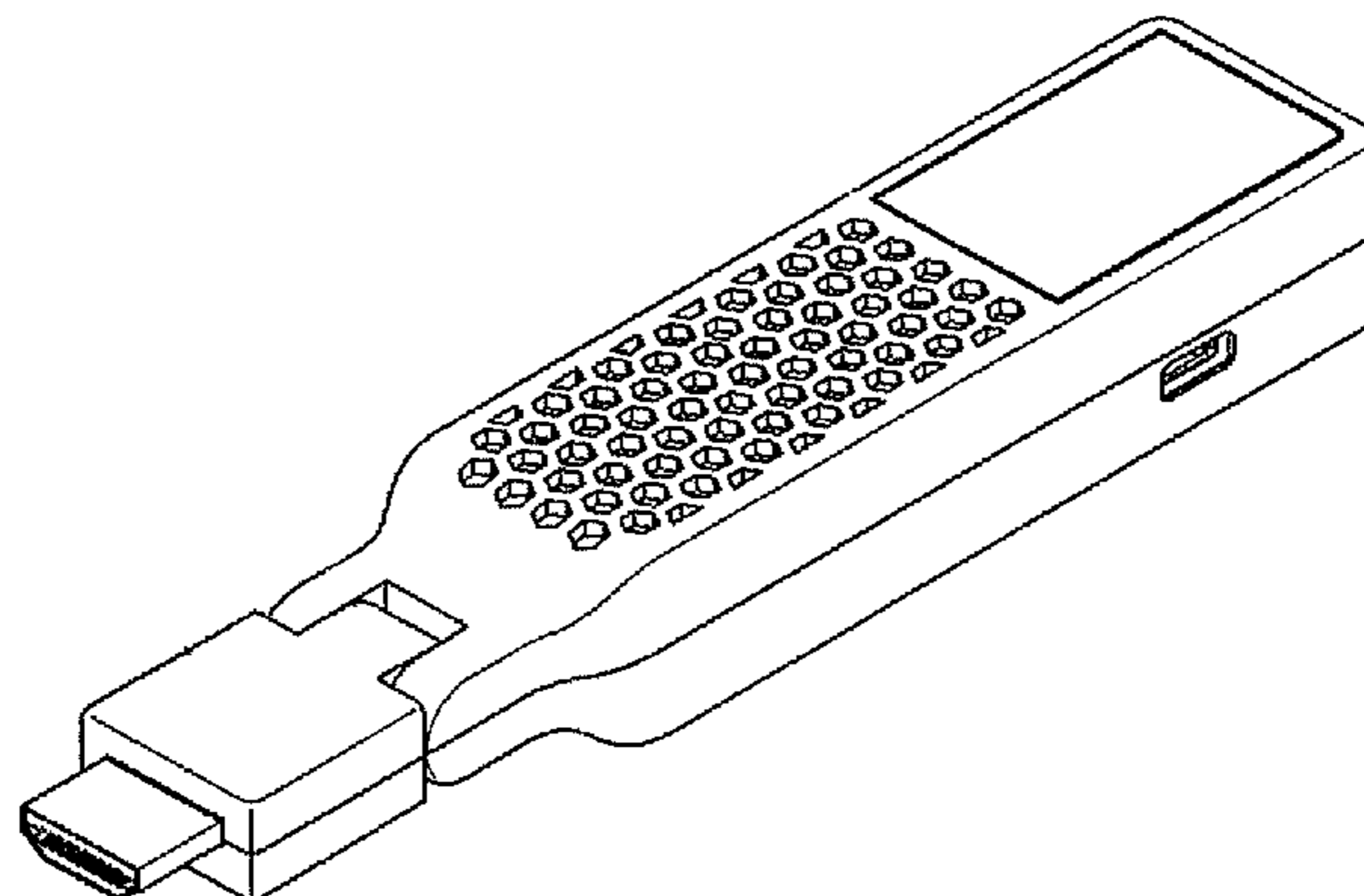


Fig. 1

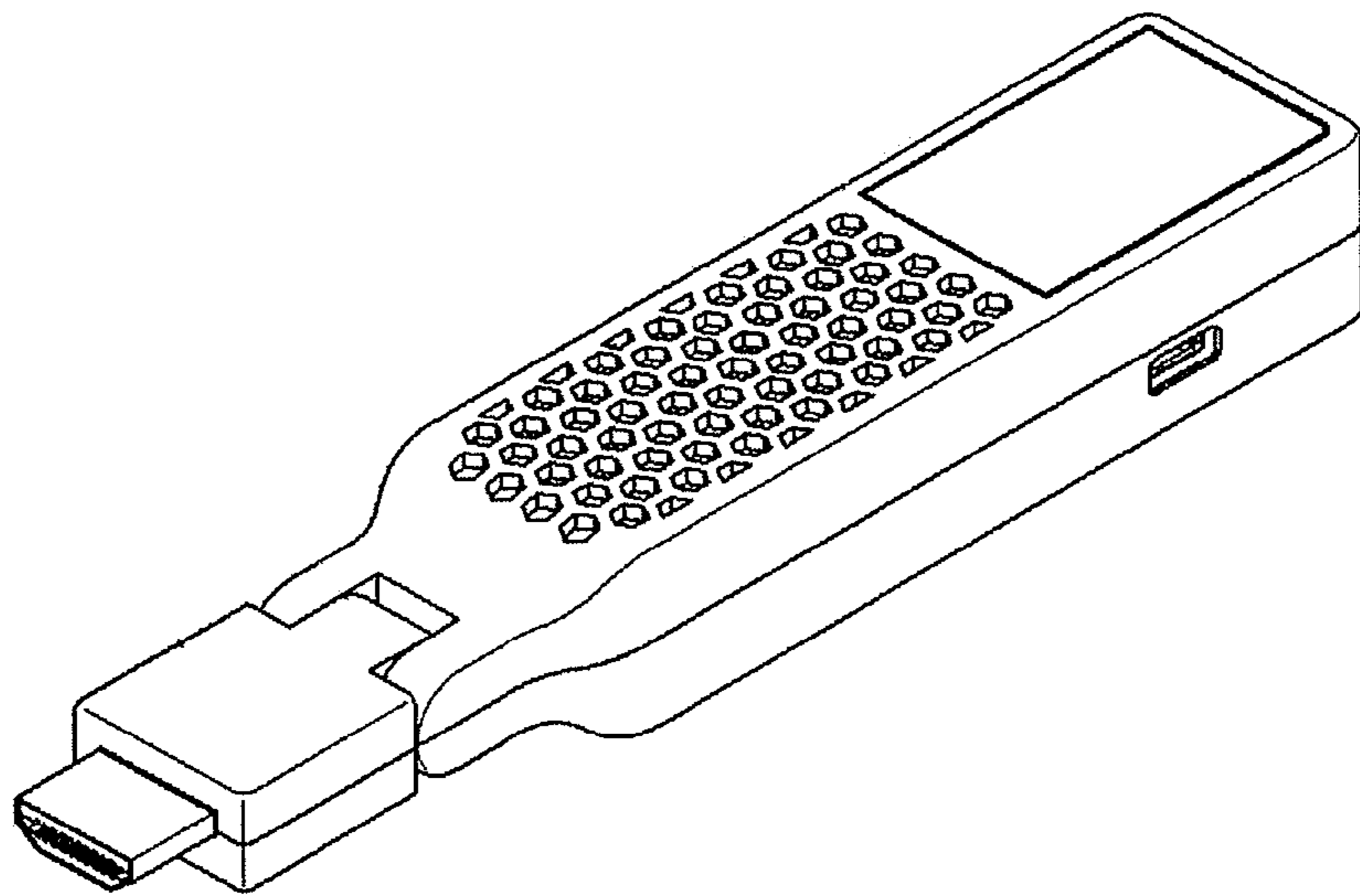


Fig. 2

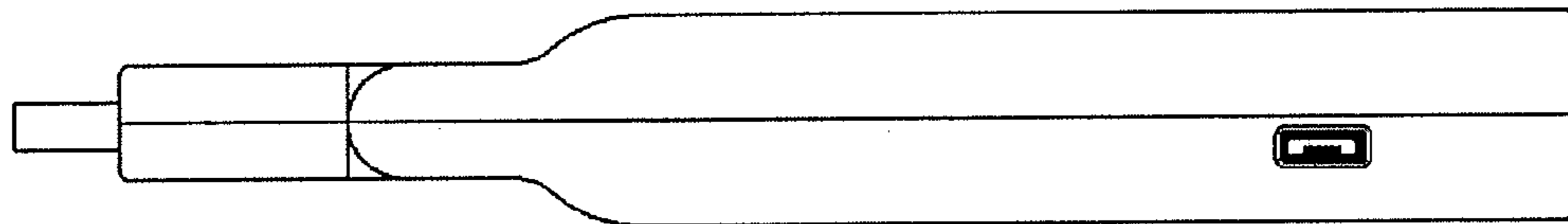


Fig. 3

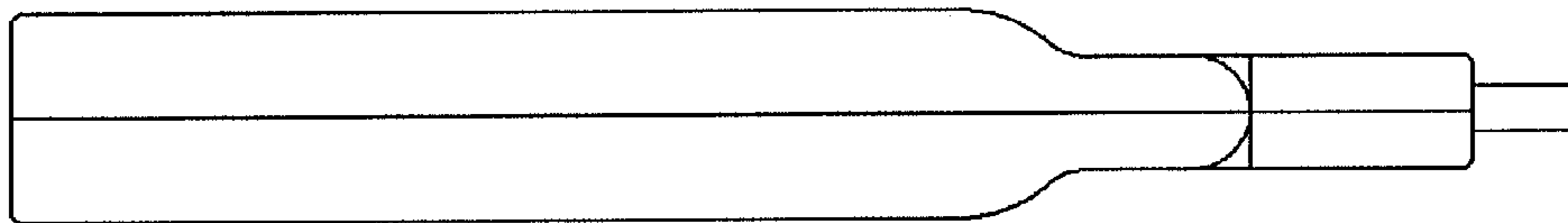


Fig. 4

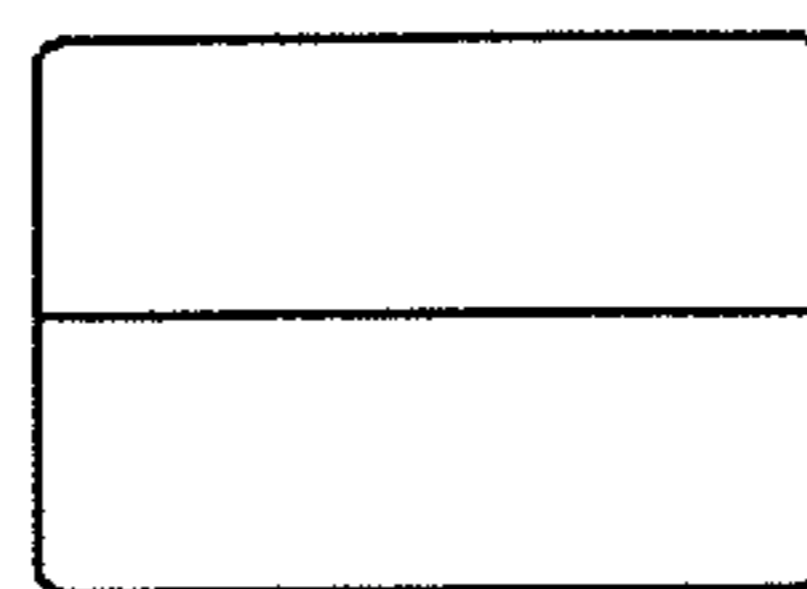


Fig. 5

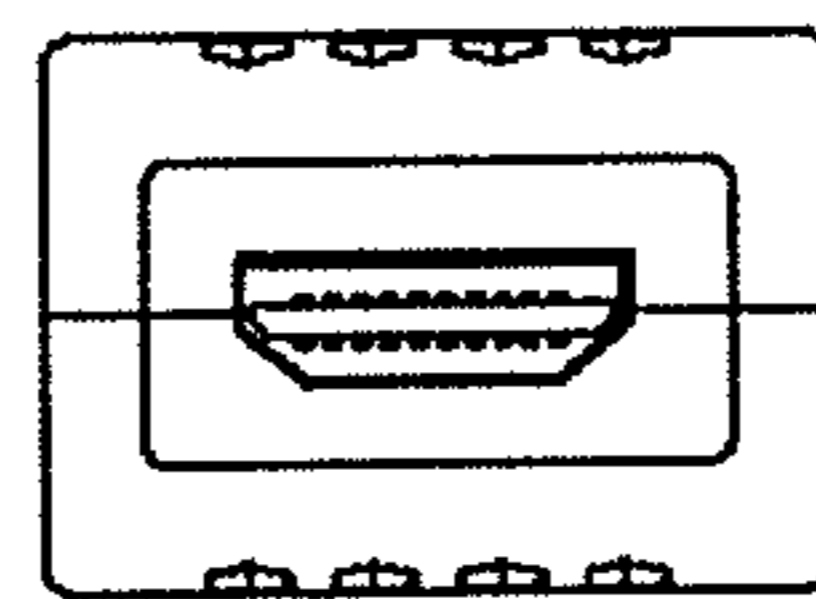


Fig. 6

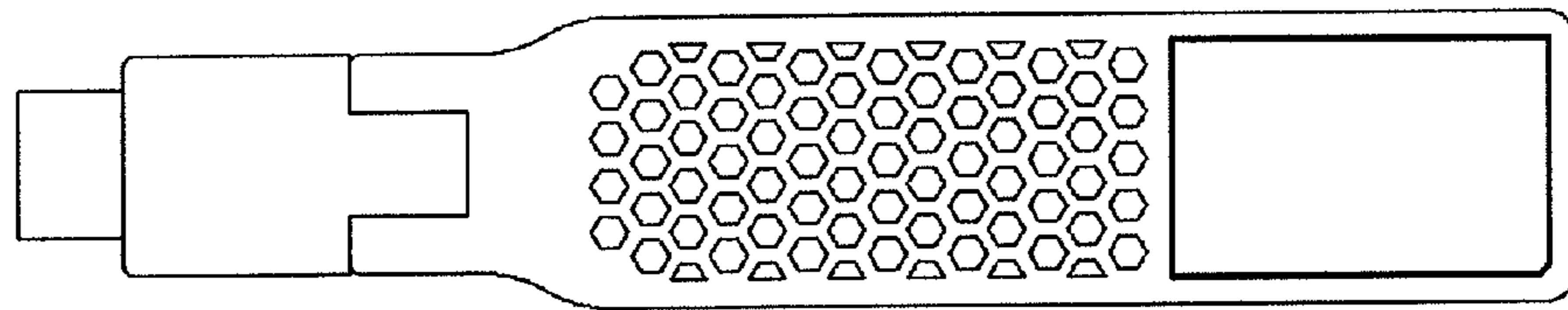


Fig. 7

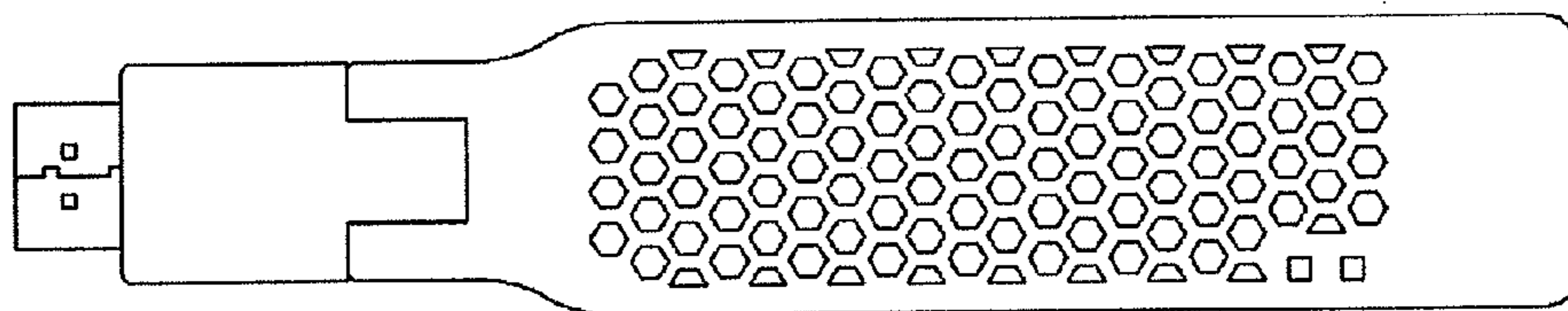




Fig. 8

