



US00D717743S

(12) **United States Design Patent**
Larkin et al.

(10) **Patent No.:** **US D717,743 S**

(45) **Date of Patent:** **** *Nov. 18, 2014**

(54) **CONTROL PANEL**

(56) **References Cited**

(71) Applicant: **Koninklijke Philips Electronics N.V.**,
Eindhoven (NL)

U.S. PATENT DOCUMENTS

(72) Inventors: **Andrew Larkin**, Newton (AU);
Abraham Antonius Arnoldus Bos,
Geldrop (NL); **James Hiok Kheng Ng**,
Singapore (HK); **Jinyoung Song**, Hong
Kong (HK); **Simon Barnacoat**, Sydney
(AU); **Tomas Luis Ortiz Ferrer**,
Shanghai (CN)

D227,577	S	*	7/1973	Mayo	D13/170
4,166,934	A	*	9/1979	Marrero	200/51 R
D254,849	S	*	4/1980	Matsuda	D13/171
D276,587	S	*	12/1984	White	D8/353
5,036,168	A	*	7/1991	Kikuchi et al.	200/5 R
D327,657	S	*	7/1992	Marcou et al.	D10/106.8
D331,741	S	*	12/1992	Fujiyoshi	D13/169
D331,742	S	*	12/1992	Fujiyoshi	D13/169
D331,743	S	*	12/1992	Fujiyoshi	D13/169
5,637,930	A	*	6/1997	Rowen et al.	307/112
D450,043	S	*	11/2001	Mosebrook	D13/171
6,808,283	B2	*	10/2004	Tsao	362/95
D546,295	S	*	7/2007	Marchetto et al.	D13/168
D549,710	S	*	8/2007	Hynecek et al.	D14/455
D564,457	S	*	3/2008	Billings et al.	D13/164
D581,369	S	*	11/2008	Egea Soler	D13/162
D595,240	S	*	6/2009	Busbridge	D13/171
D627,309	S	*	11/2010	Snyder et al.	D13/171
D640,641	S	*	6/2011	Felegy et al.	D13/162
D640,992	S	*	7/2011	Margolin et al.	D13/162
D645,001	S	*	9/2011	Margolin et al.	D13/162
D649,123	S	*	11/2011	Jacoby et al.	D13/164
D658,592	S	*	5/2012	Kim	D13/162
D669,866	S	*	10/2012	Gilbert et al.	D13/162
D690,275	S	*	9/2013	Seidl et al.	D13/162
8,525,372	B2	*	9/2013	Huang	307/139
D706,732	S	*	6/2014	Altonen et al.	D13/177
2005/0012633	A1	*	1/2005	Yoon	340/693.5

(73) Assignee: **Koninklijke Philips N.V.**, Eindhoven
(NL)

(*) Notice: This patent is subject to a terminal dis-
claimer.

(**) Term: **14 Years**

(21) Appl. No.: **29/454,745**

(22) Filed: **May 14, 2013**

(30) **Foreign Application Priority Data**

Nov. 14, 2012 (EM) 002135897-0001

(51) **LOC (10) Cl.** **13-03**

(52) **U.S. Cl.**
USPC **D13/164**

(58) **Field of Classification Search**
USPC D13/162, 164, 171; 174/66; 200/5 R,
200/5 A, 1 B, 293, 296, 329, 406, 513, 520,
200/530, 302.1, 302.2, 314, 315, 341, 344;
315/291, 294, 297, 307.315; 307/112,
307/115, 125, 139, 157; 338/198-200;
362/85, 95

See application file for complete search history.

* cited by examiner

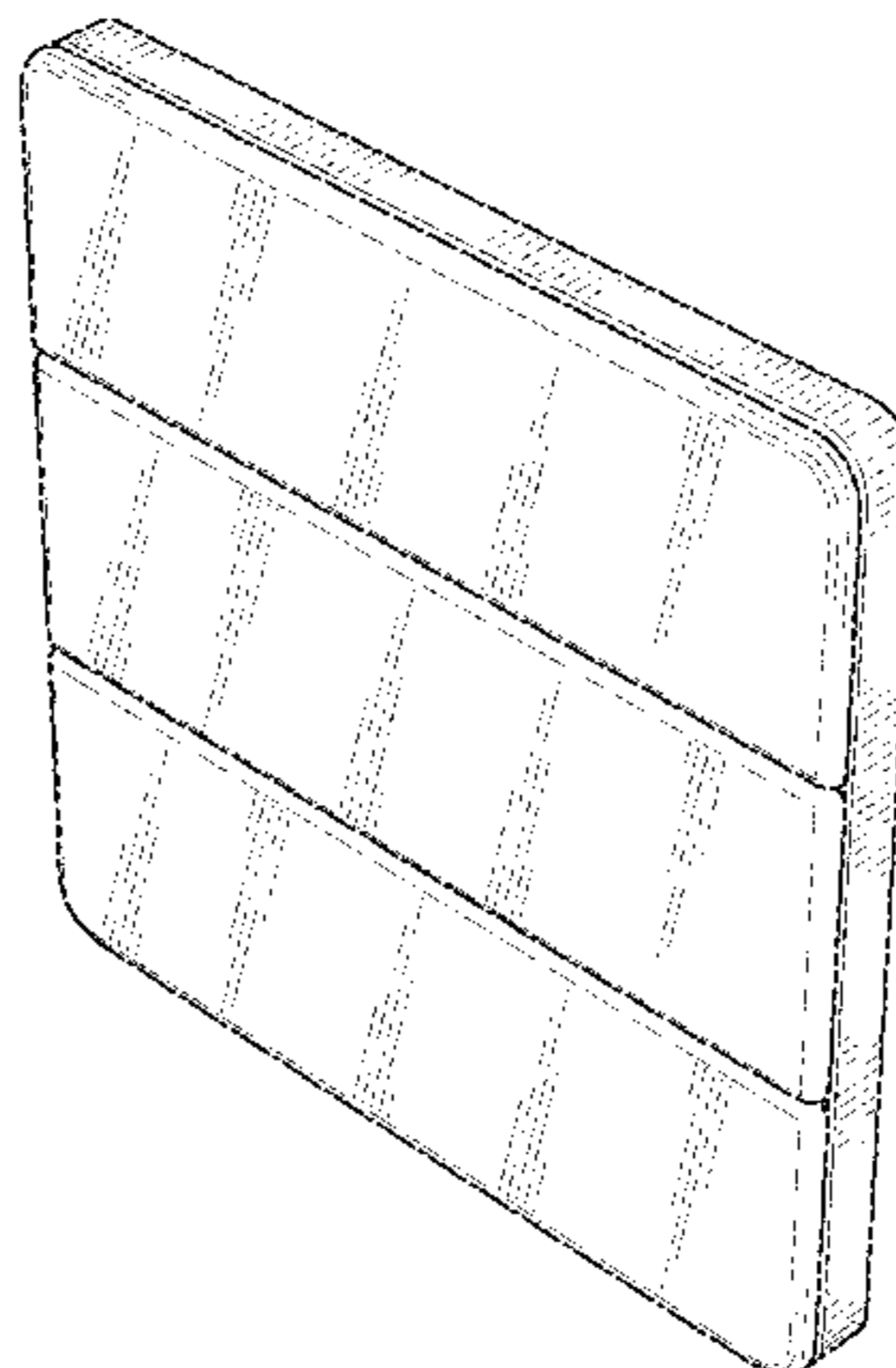
Primary Examiner — Selina Sikder

(57) **CLAIM**
The ornamental design for a control panel, as shown.

DESCRIPTION

FIG. 1 is a perspective view showing my design;
FIG. 2 is a front elevational view thereof;
FIG. 3 is a rear elevational view thereof;
FIG. 4 is a right side elevational view thereof;
FIG. 5 is a left side elevational view thereof;
FIG. 6 is a top plan view thereof; and,
FIG. 7 is a bottom plan view thereof.

1 Claim, 4 Drawing Sheets



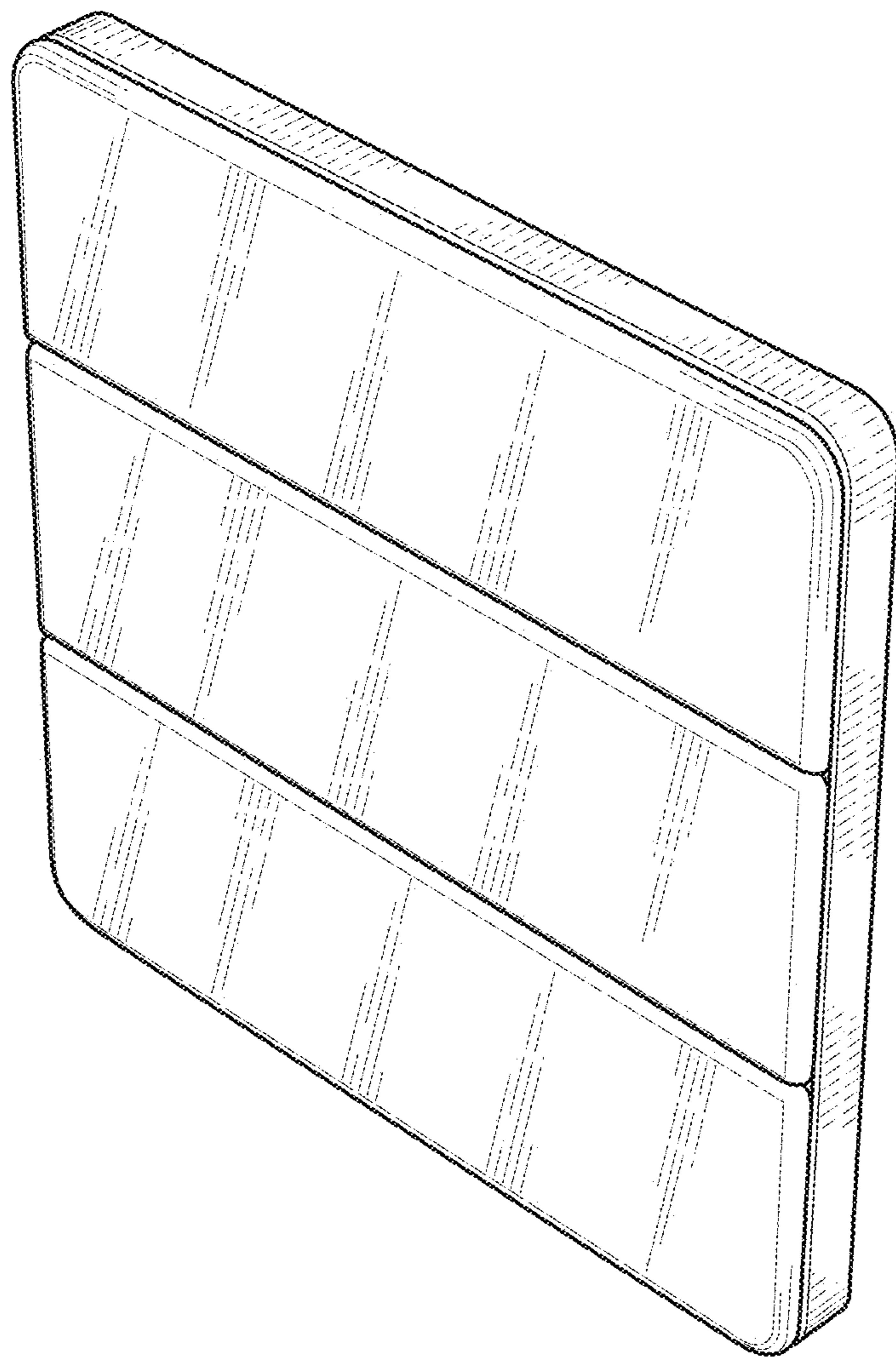


FIG. 1

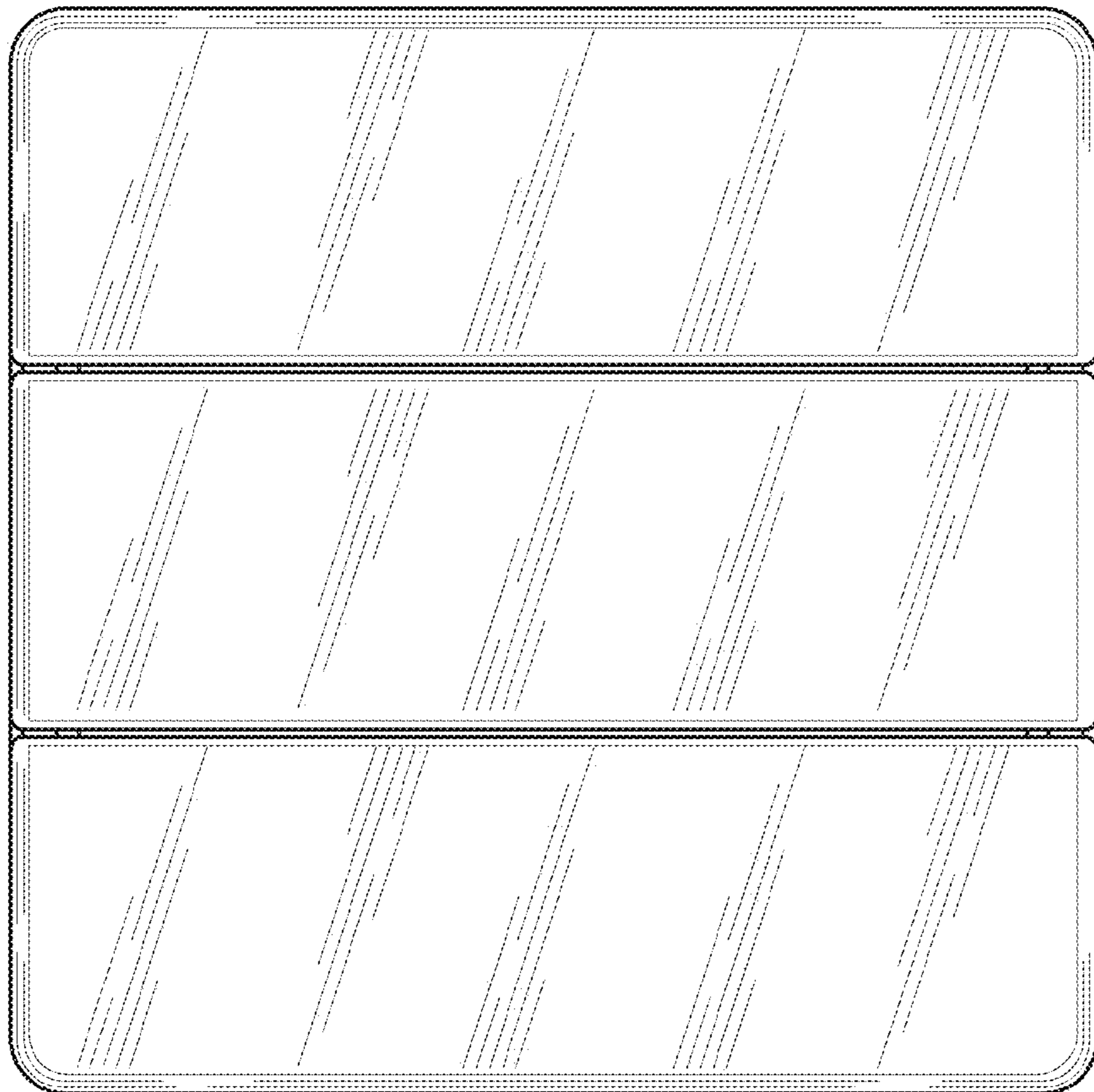


FIG. 2

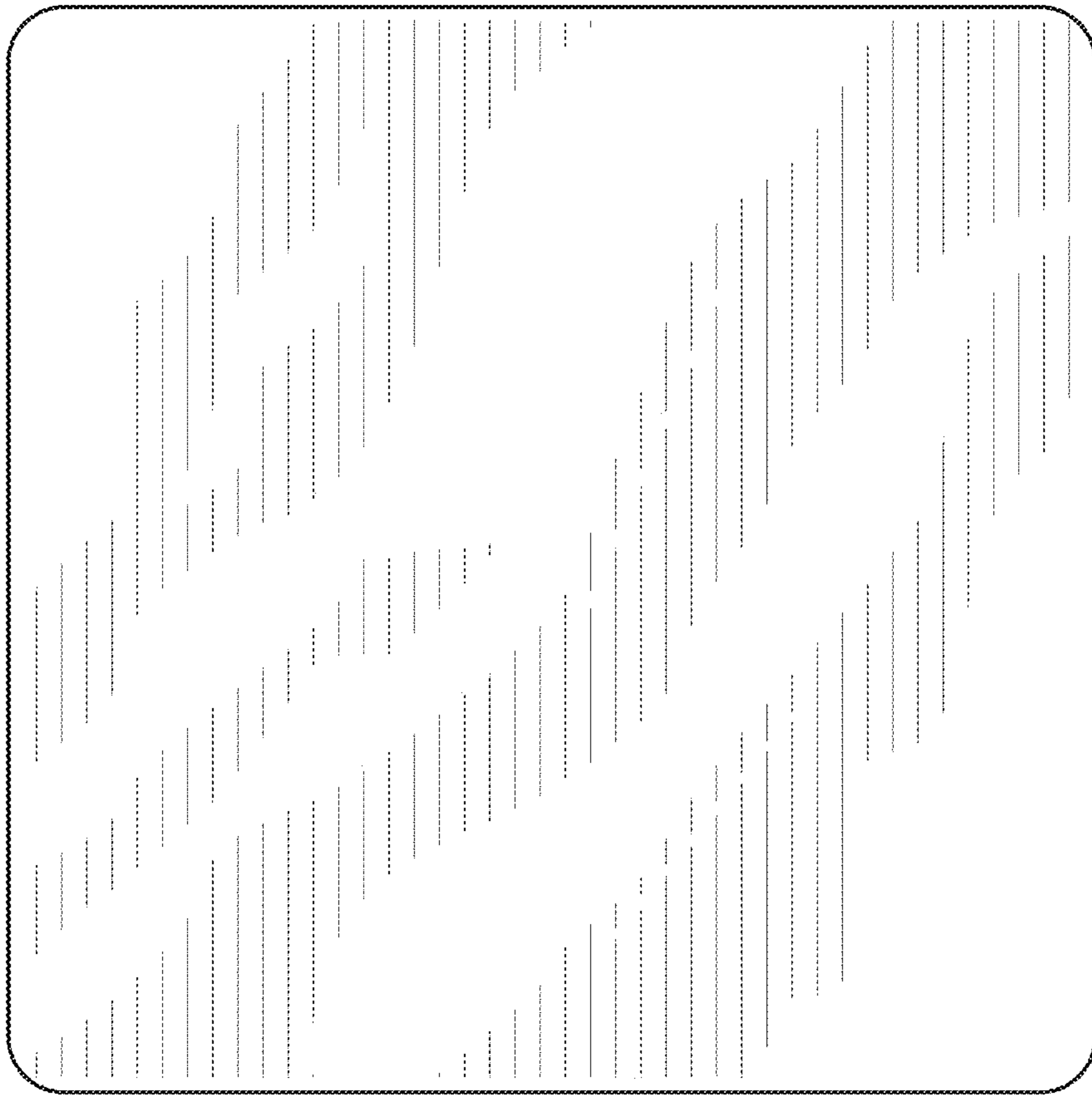


FIG. 3

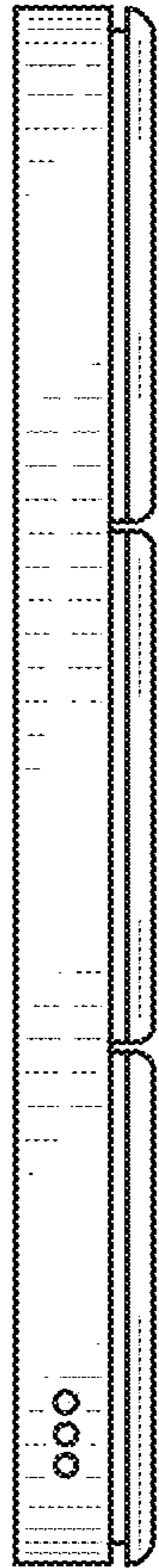


FIG. 4

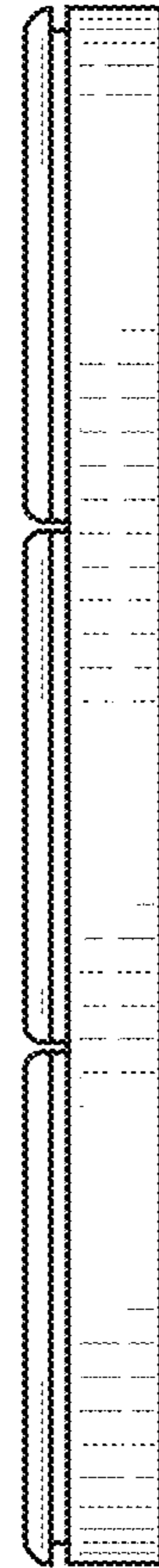


FIG. 5



FIG. 6



FIG. 7