



US00D717742S

(12) **United States Design Patent**
Larkin et al.

(10) **Patent No.:** **US D717,742 S**
(45) **Date of Patent:** **** Nov. 18, 2014**

(54) **CONTROL PANEL**

(71) Applicant: **Koninklijke Philips Electronics N.V.**,
Eindhoven (NL)

(72) Inventors: **Andrew Larkin**, Newtown (AU);
Abraham Antonius Arnoldus, Geldrop
(NL); **James Hiok Kheng Ng**, Singapore
(HK); **Jinyoung Song**, Hong Kong
(HK); **Simon Barnacoat**, Sydney (AU);
Tomas Luis Ortiz Ferrer, Shanghai
(CN)

(73) Assignee: **Koninklijke Philips N.V.**, Eindhoven
(NL)

(**) Term: **14 Years**

(21) Appl. No.: **29/454,747**

(22) Filed: **May 14, 2013**

(30) **Foreign Application Priority Data**

Nov. 14, 2012 (EM) 002135897-0002

(51) **LOC (10) Cl.** **13-03**

(52) **U.S. Cl.**
USPC **D13/162**

(58) **Field of Classification Search**
USPC D13/162, 164, 171; 174/66; 315/291,
315/294, 297, 307.315; 307/112, 115, 125,
307/139, 157; 338/198-200; 362/85, 95;
200/5 R, 5 A, 1 B, 293, 296, 329, 406,
200/513, 520, 530, 302.1, 302.2, 314, 315,
200/341, 344

See application file for complete search history.

(56) **References Cited**

U.S. PATENT DOCUMENTS

D227,577 S * 7/1973 Mayo D13/170
4,166,934 A * 9/1979 Marrero 200/51 R

D254,849 S * 4/1980 Matsuda D13/171
D276,587 S * 12/1984 White D8/353
5,036,168 A * 7/1991 Kikuchi et al. 200/5 R
D327,657 S * 7/1992 Marcou et al. D10/106.8
D331,741 S * 12/1992 Fujiyoshi D13/169
D331,742 S * 12/1992 Fujiyoshi D13/169
D331,743 S * 12/1992 Fujiyoshi D13/169
5,637,930 A * 6/1997 Rowen et al. 307/112
D450,043 S * 11/2001 Mosebrook D13/171
6,808,283 B2 * 10/2004 Tsao 362/95
D546,295 S * 7/2007 Marchetto et al. D13/168
D549,710 S * 8/2007 Hyneczek et al. D14/455
D564,457 S * 3/2008 Billings et al. D13/164
D581,369 S * 11/2008 Egea Soler D13/162
D595,240 S * 6/2009 Busbridge D13/171
D627,309 S * 11/2010 Snyder et al. D13/171
D640,641 S * 6/2011 Felegy et al. D13/162
D640,992 S * 7/2011 Margolin et al. D13/162
D645,001 S * 9/2011 Margolin et al. D13/162
D649,123 S * 11/2011 Jacoby et al. D13/164
D658,592 S * 5/2012 Kim D13/162
D669,866 S * 10/2012 Gilbert et al. D13/162
D690,275 S * 9/2013 Seidl et al. D13/162
8,525,372 B2 * 9/2013 Huang 307/139
D706,732 S * 6/2014 Altonen et al. D13/177
2005/0012633 A1 * 1/2005 Yoon 340/693.5

* cited by examiner

Primary Examiner — Selina Sikder

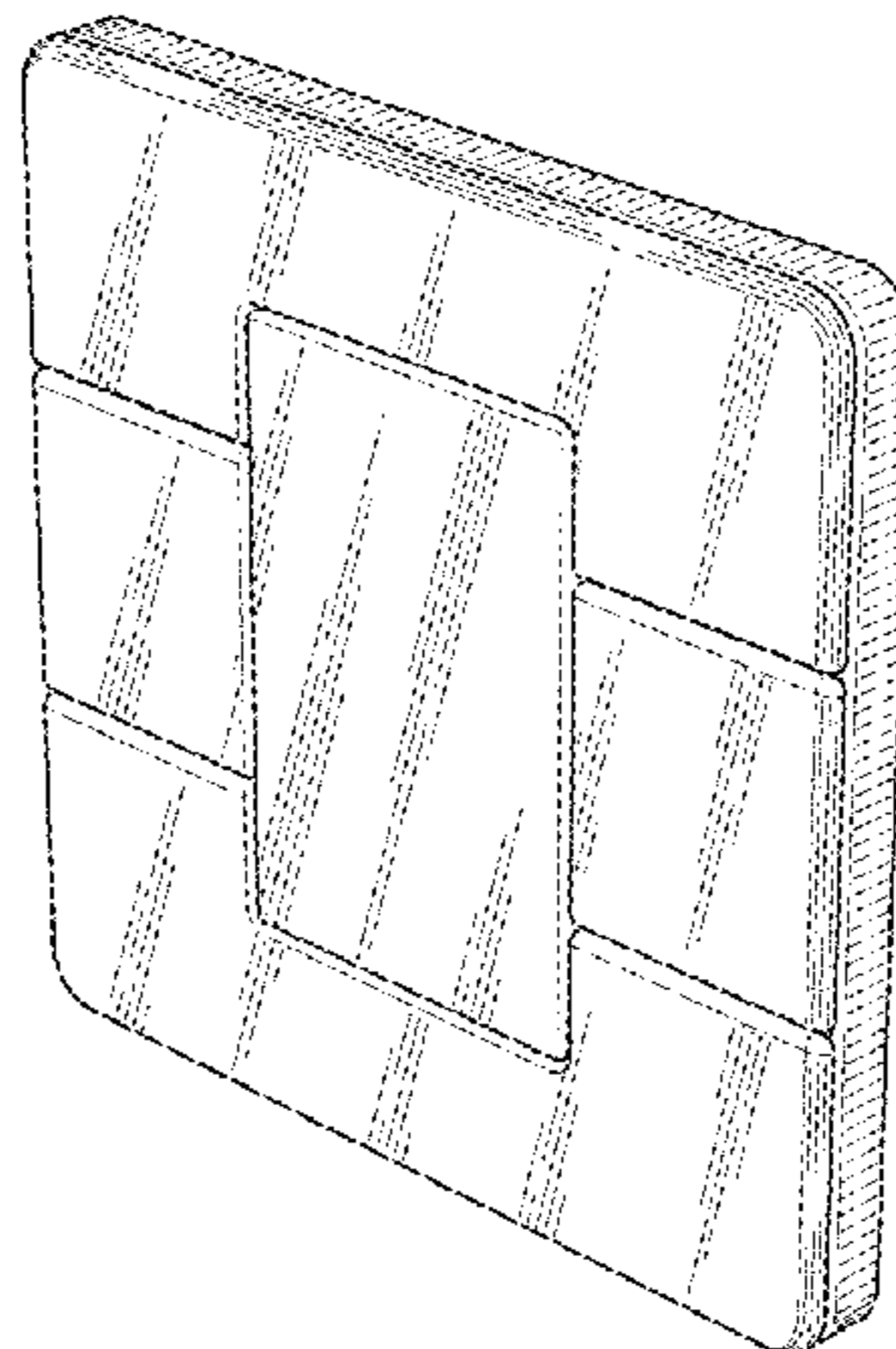
(57) **CLAIM**

The ornamental design for a control panel, as shown.

DESCRIPTION

FIG. 1 is a perspective view showing my design;
FIG. 2 is a front elevational view thereof;
FIG. 3 is a rear elevational view thereof;
FIG. 4 is a right side elevational view thereof;
FIG. 5 is a left side elevational view thereof;
FIG. 6 is a top plan view thereof; and,
FIG. 7 is a bottom plan view thereof.

1 Claim, 3 Drawing Sheets



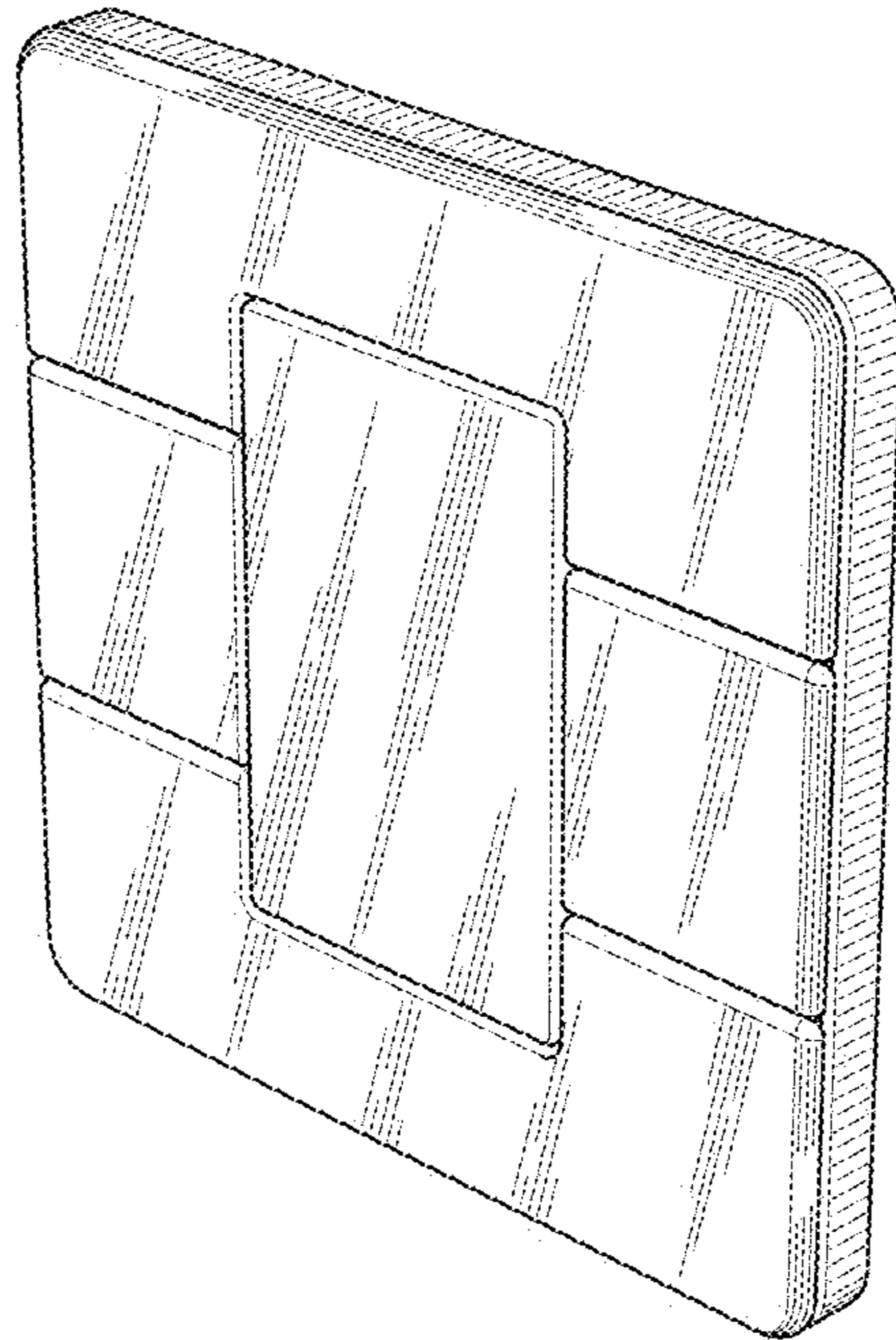


FIG. 1

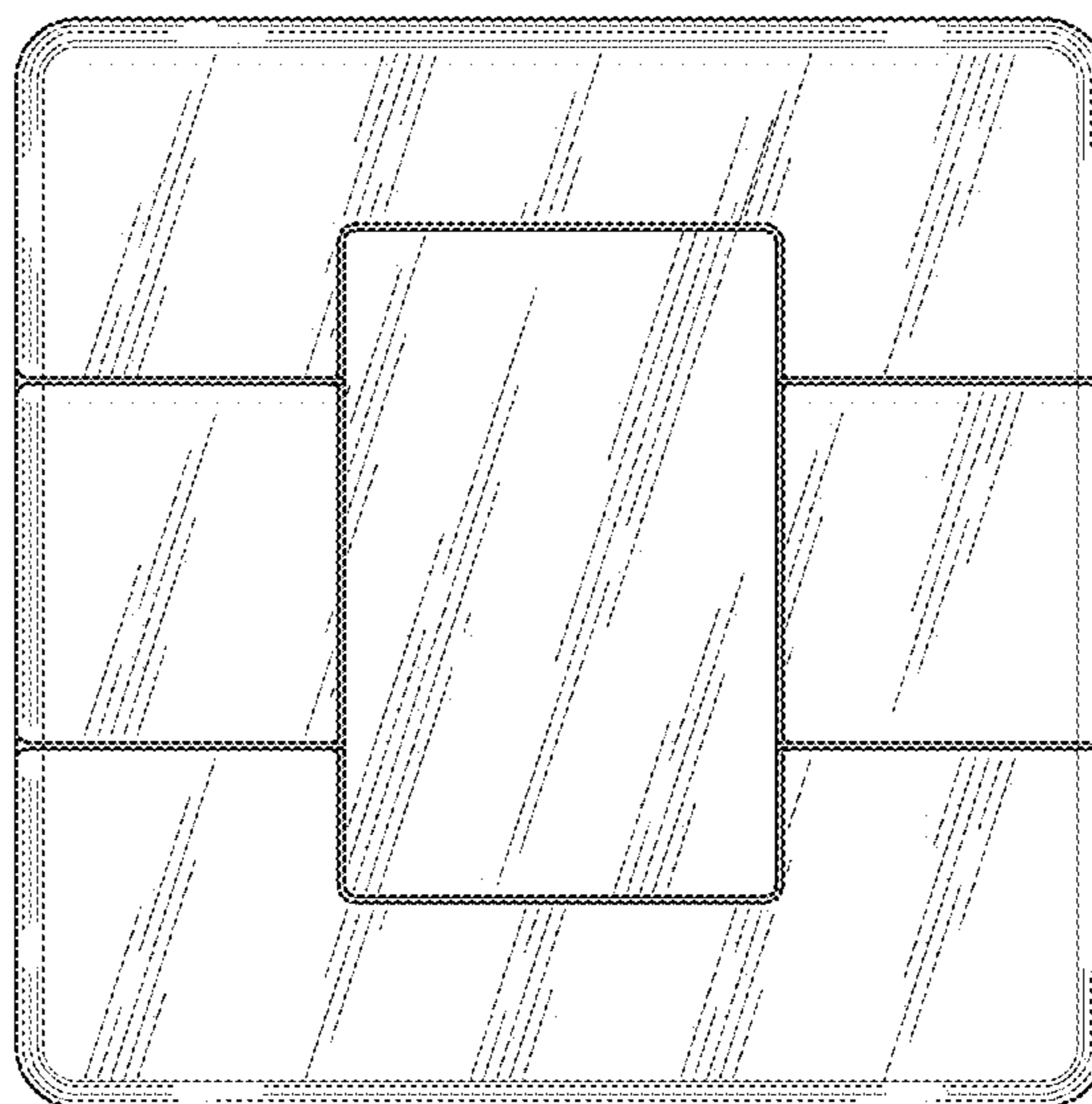


FIG. 2

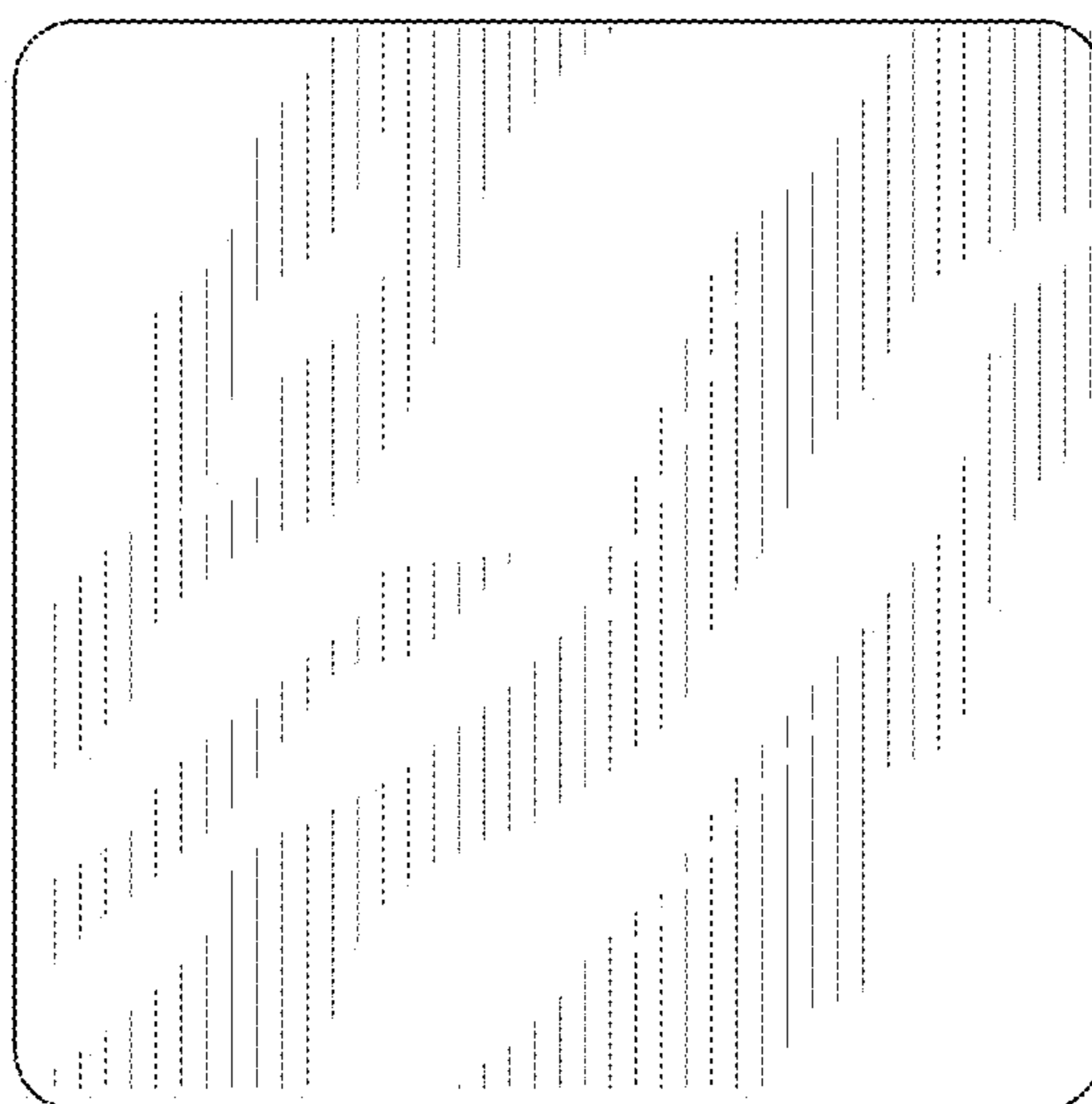


FIG. 3

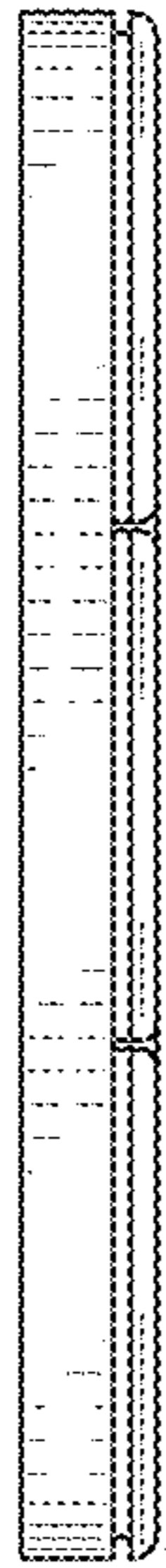


FIG. 4

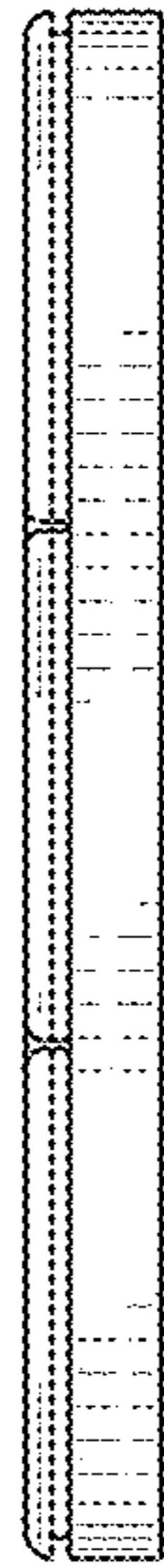


FIG. 5

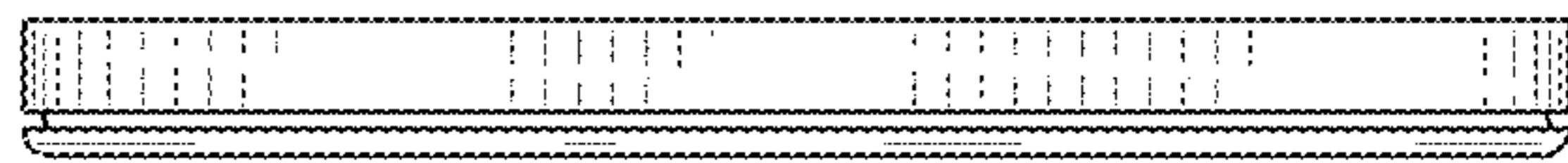


FIG. 6

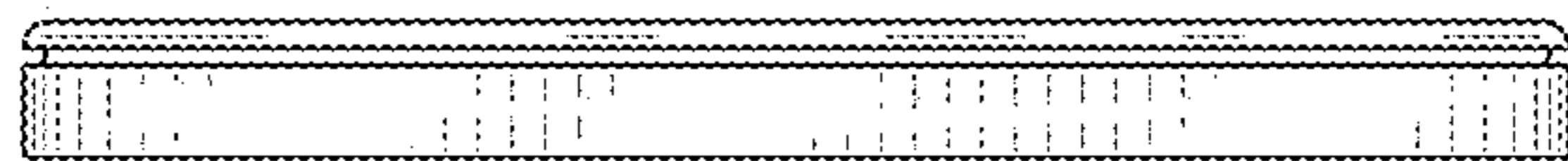


FIG. 7