



US00D717741S

(12) **United States Design Patent**  
**Baldwin et al.**

(10) **Patent No.:** **US D717,741 S**

(45) **Date of Patent:** **\*\* Nov. 18, 2014**

(54) **CABLE RAIL**

(71) Applicants: **Jeffrey Baldwin**, Desert Hills, AZ (US);  
**John Klein**, Gilbert, AZ (US); **Ryan Liebengood**, Gilbert, AZ (US)

(72) Inventors: **Jeffrey Baldwin**, Desert Hills, AZ (US);  
**John Klein**, Gilbert, AZ (US); **Ryan Liebengood**, Gilbert, AZ (US)

(\*\*) Term: **14 Years**

(21) Appl. No.: **29/489,868**

(22) Filed: **May 3, 2014**

(51) **LOC (10) Cl.** ..... **13-03**

(52) **U.S. Cl.**  
USPC ..... **D13/155**

(58) **Field of Classification Search**  
USPC ..... D13/155, 153, 154, 156, 157, 184, 199;  
D8/349, 354, 356, 377, 394; 174/50,  
174/68.1, 68.2, 68.3, 135, 136; 248/49, 53,  
248/60; 361/827; 385/134, 135; 439/207,  
439/210, 445, 446, 447, 527;  
D25/119-125, 164, 199  
See application file for complete search history.

(56) **References Cited**

**U.S. PATENT DOCUMENTS**

4,776,809 A \* 10/1988 Hall ..... 439/116  
D314,757 S \* 2/1991 Gecchelin ..... D13/155  
D404,010 S \* 1/1999 Viklund et al. .... D13/155

D436,578 S \* 1/2001 Henry ..... D13/155  
D498,211 S 11/2004 Thibault  
D503,968 S 4/2005 Ruddick  
D503,969 S 4/2005 Ruddick  
D504,938 S 5/2005 Ruddick  
D539,752 S 4/2007 Ruddick  
D541,143 S 4/2007 Ruddick  
7,394,025 B1 \* 7/2008 Wong ..... 174/135  
7,696,434 B2 4/2010 Ruddick  
D653,623 S \* 2/2012 Young et al. .... D13/155  
D660,250 S \* 5/2012 Martin et al. .... D13/155  
D669,035 S 10/2012 Ruddick  
D671,502 S 11/2012 Ruddick  
D683,318 S 5/2013 Ruddick

\* cited by examiner

*Primary Examiner* — Derrick Holland

(74) *Attorney, Agent, or Firm* — Ryan Liebengood

(57) **CLAIM**

We claim the ornamental design for a cable rail, as shown and described.

**DESCRIPTION**

FIG. 1 is a perspective view of a cable rail showing our design;

FIG. 2 is an end view thereof;

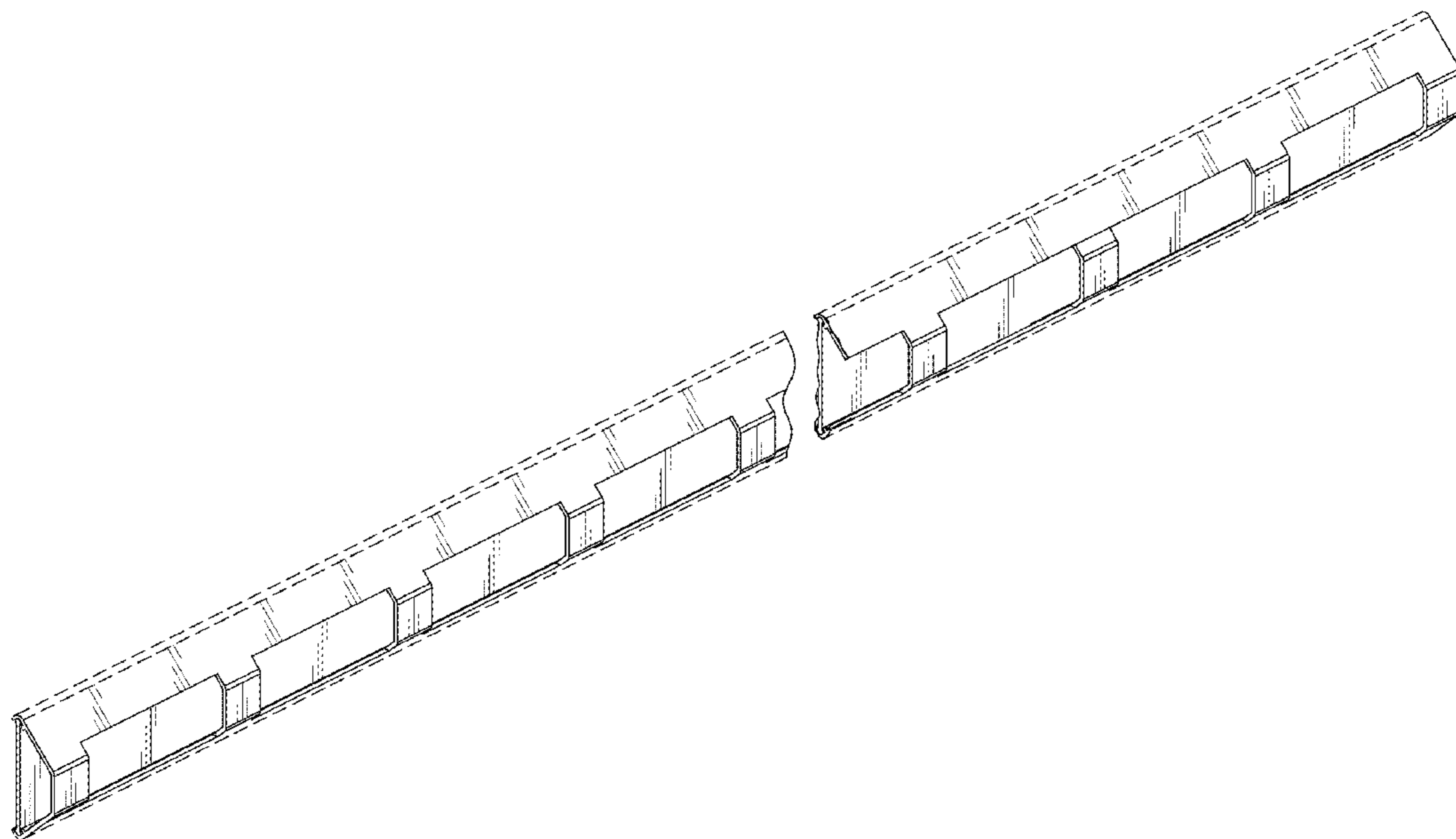
FIG. 3 is a front elevational view thereof;

FIG. 4 is a rear elevational view thereof; and,

FIG. 5 is a left side view thereof, with the right side view thereof being identical.

The broken lines shown represent unclaimed subject matter and form no part of the claimed design.

**1 Claim, 3 Drawing Sheets**



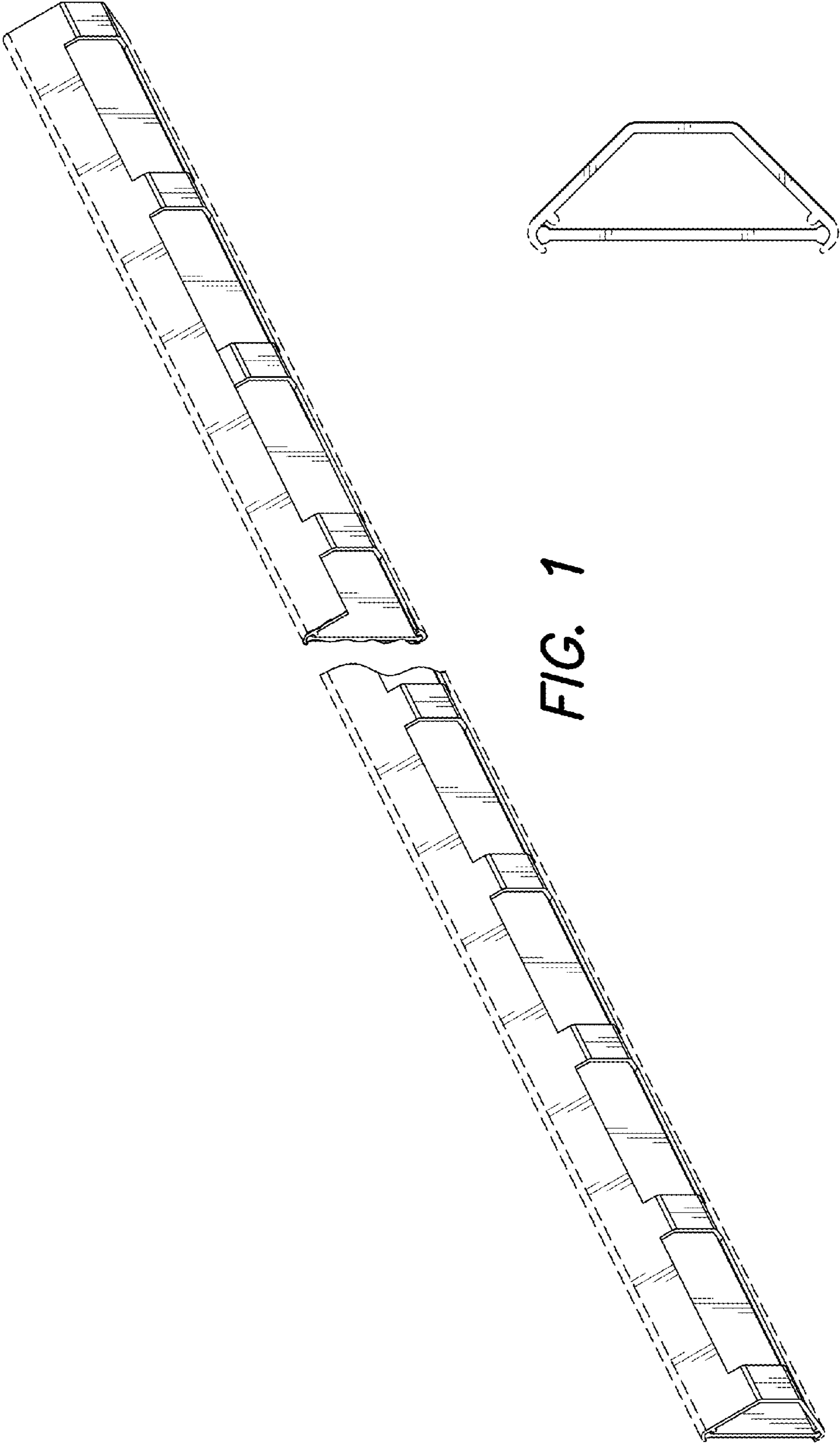


FIG. 1

FIG. 2

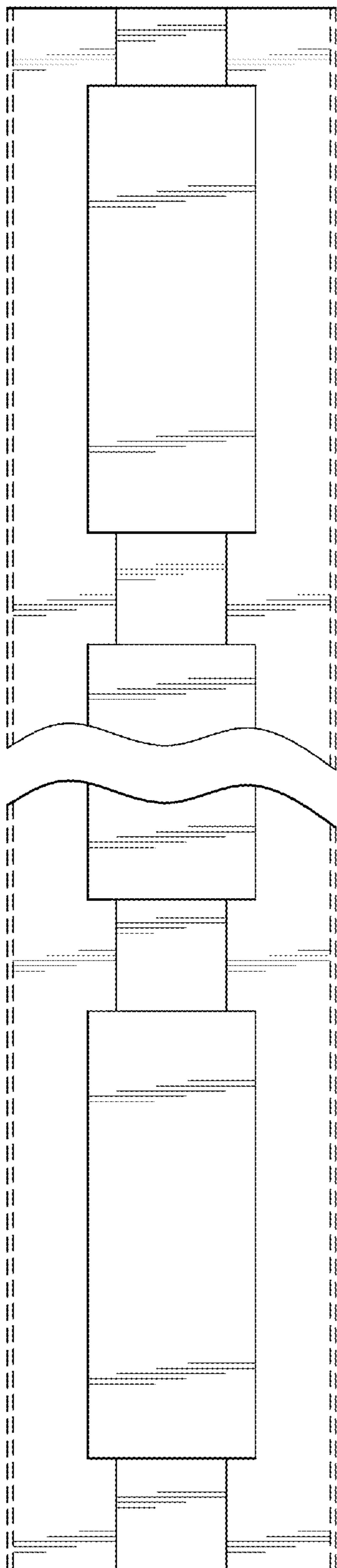


FIG. 3

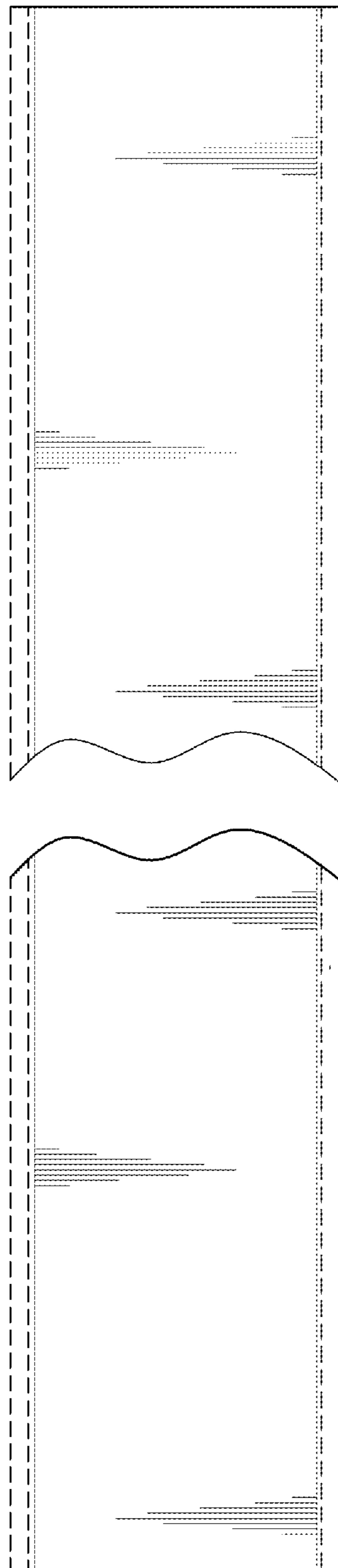


FIG. 4

