



US00D717737S

(12) **United States Design Patent**
Takaki

(10) **Patent No.:** **US D717,737 S**

(45) **Date of Patent:** **** Nov. 18, 2014**

(54) **CONTACT MEMBER**

(71) Applicant: **Iriso Electronics Co., Ltd.**, Kanagawa (JP)

(72) Inventor: **Masato Takaki**, Kanagawa (JP)

(73) Assignee: **Iriso Electronics Co., Ltd.**, Kanagawa (JP)

(**) Term: **14 Years**

(21) Appl. No.: **29/480,213**

(22) Filed: **Jan. 24, 2014**

(30) **Foreign Application Priority Data**

Jul. 26, 2013 (JP) 2013-017144

(51) **LOC (10) Cl.** **13-03**

(52) **U.S. Cl.**
USPC **D13/154**

(58) **Field of Classification Search**
USPC D13/147, 154, 184, 194; 439/476.1,
439/502, 505, 607.01, 607.04, 607.05,
439/607.17, 607.25, 607.34, 607.41,
439/607.53, 623, 660, 668, 680, 792, 894
See application file for complete search history.

(56) **References Cited**

U.S. PATENT DOCUMENTS

4,354,729 A * 10/1982 Grabbe et al. 439/733.1
5,556,306 A * 9/1996 Lin et al. 439/637

D553,086 S * 10/2007 Peng et al. D13/133
D568,247 S * 5/2008 Ho et al. D13/133
D596,133 S * 7/2009 Hemmi et al. D13/154
D596,583 S * 7/2009 Teranishi et al. D13/154
D601,969 S * 10/2009 Chen et al. D13/154
7,651,372 B2 * 1/2010 Matsuzaki et al. 439/607.01
D614,581 S * 4/2010 Hemmi et al. D13/154
D665,361 S * 8/2012 Koyama et al. D13/154
2007/0155229 A1 * 7/2007 Wu 439/567

* cited by examiner

Primary Examiner — Daniel Bui

(74) *Attorney, Agent, or Firm* — Cermak Nakajima & McGowan LLP; Tomoko Nakajima

(57) **CLAIM**

The ornamental design for a contact member, as shown and described.

DESCRIPTION

FIG. 1 is a front elevational view of a contact member showing my new design, a rear elevational view thereof being a mirror image;
FIG. 2 is a right side elevational view thereof;
FIG. 3 is a left side elevational view thereof;
FIG. 4 is a top plan view thereof;
FIG. 5 is a bottom plan view thereof; and,
FIG. 6 is a front, top and right perspective view thereof.
The broken line in the drawing views is included to show unclaimed environment only and forms no part of the claimed design. The dash-dot line represents the boundaries of the claimed design.

1 Claim, 4 Drawing Sheets

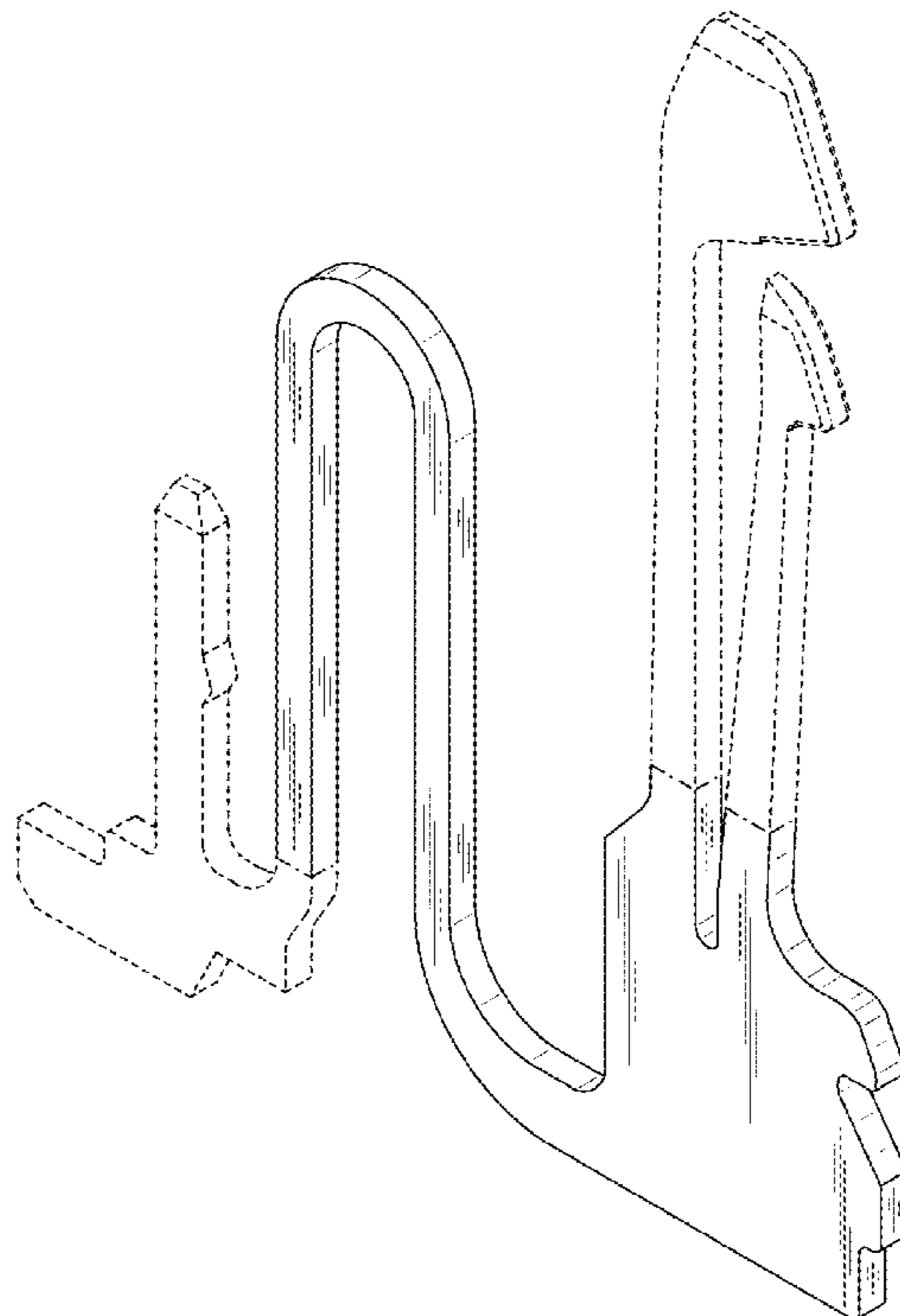


FIG. 1

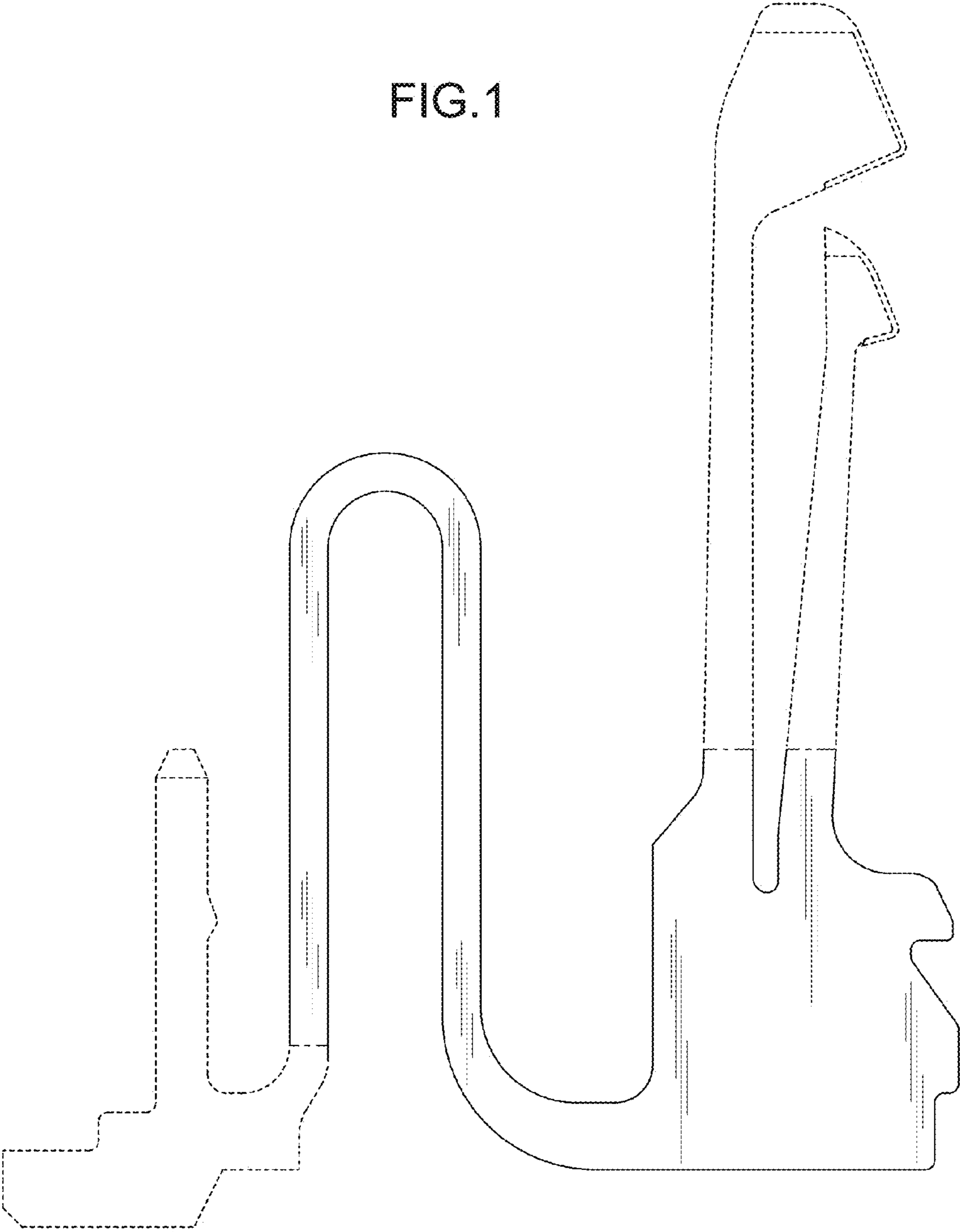


FIG.2

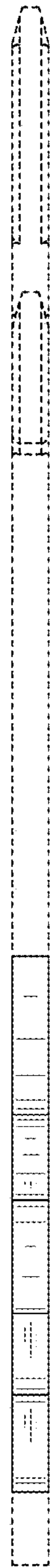


FIG.3

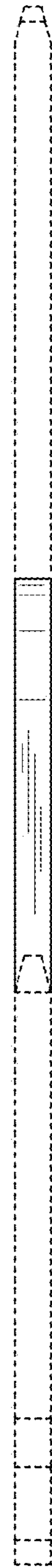


FIG.4



FIG.5

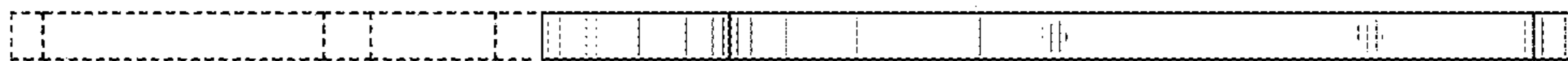


FIG.6

