



US00D717735S

(12) **United States Design Patent**
Suenaga

(10) **Patent No.:** **US D717,735 S**

(45) **Date of Patent:** **** Nov. 18, 2014**

(54) **ELECTRICAL JUNCTION BOX**
(71) Applicant: **Sumitomo Wiring Systems, Ltd.**,
Yokkaichi (JP)
(72) Inventor: **Ryo Suenaga**, Yokkaichi (JP)
(73) Assignee: **Sumitomo Wiring Systems, Ltd.**,
Mie-ken (JP)

D456,013 S * 4/2002 Heckenkamp D13/184
D553,094 S * 10/2007 Pape et al. D13/158
D605,144 S * 12/2009 Von Arx et al. D13/184
D640,983 S * 7/2011 Alves et al. D13/152
D709,744 S * 7/2014 Kluhsman, Jr. D8/29
8,803,007 B2 * 8/2014 Salmon 174/659

* cited by examiner

Primary Examiner — Ian Simmons

Assistant Examiner — Rhea Shields

(74) *Attorney, Agent, or Firm* — Fish & Richardson P.C.

(**) Term: **14 Years**

(21) Appl. No.: **29/451,630**

(22) Filed: **Apr. 5, 2013**

(57) **CLAIM**

The ornamental design for an electrical junction box, as shown and described.

(30) **Foreign Application Priority Data**

Nov. 14, 2012 (JP) 2012027767

(51) **LOC (10) Cl.** **13-03**

(52) **U.S. Cl.**
USPC **D13/152**

(58) **Field of Classification Search**
USPC D13/152, 164, 184, 137.1–137.4, 153,
D13/133, 130, 128, 132, 139.1–139.8,
D13/138.1–138.2, 123, 160, 107, 155;
29/6.01, 888.023, 888.049, 888.048,
29/890.048; D8/356, 29, 82, 309, 499,
D8/397, 393; D25/119, 124; 174/659
See application file for complete search history.

DESCRIPTION

FIG. 1 is a front, top and right side perspective view of an electrical junction box showing my new design;
FIG. 2 is a front, bottom and right side perspective view thereof;
FIG. 3 is a front view thereof;
FIG. 4 is a rear view thereof;
FIG. 5 is a bottom plan view thereof;
FIG. 6 is a left side view thereof, the right side view being a mirror image of FIG. 6;
FIG. 7 is a cross-sectional view taken along line 7-7 in FIG. 3; and,
FIG. 8 is a cross-sectional view taken along line 8-8 in FIG. 3. The features shown in broken lines in the drawings depict environmental subject matter only and form no part of the claimed design. The dashed-dotted lines denote the boundary of the claim and form no part of the claimed design.

(56) **References Cited**

U.S. PATENT DOCUMENTS

D368,020 S * 3/1996 Shirai D8/397
D416,192 S * 11/1999 Tu D8/397

1 Claim, 8 Drawing Sheets

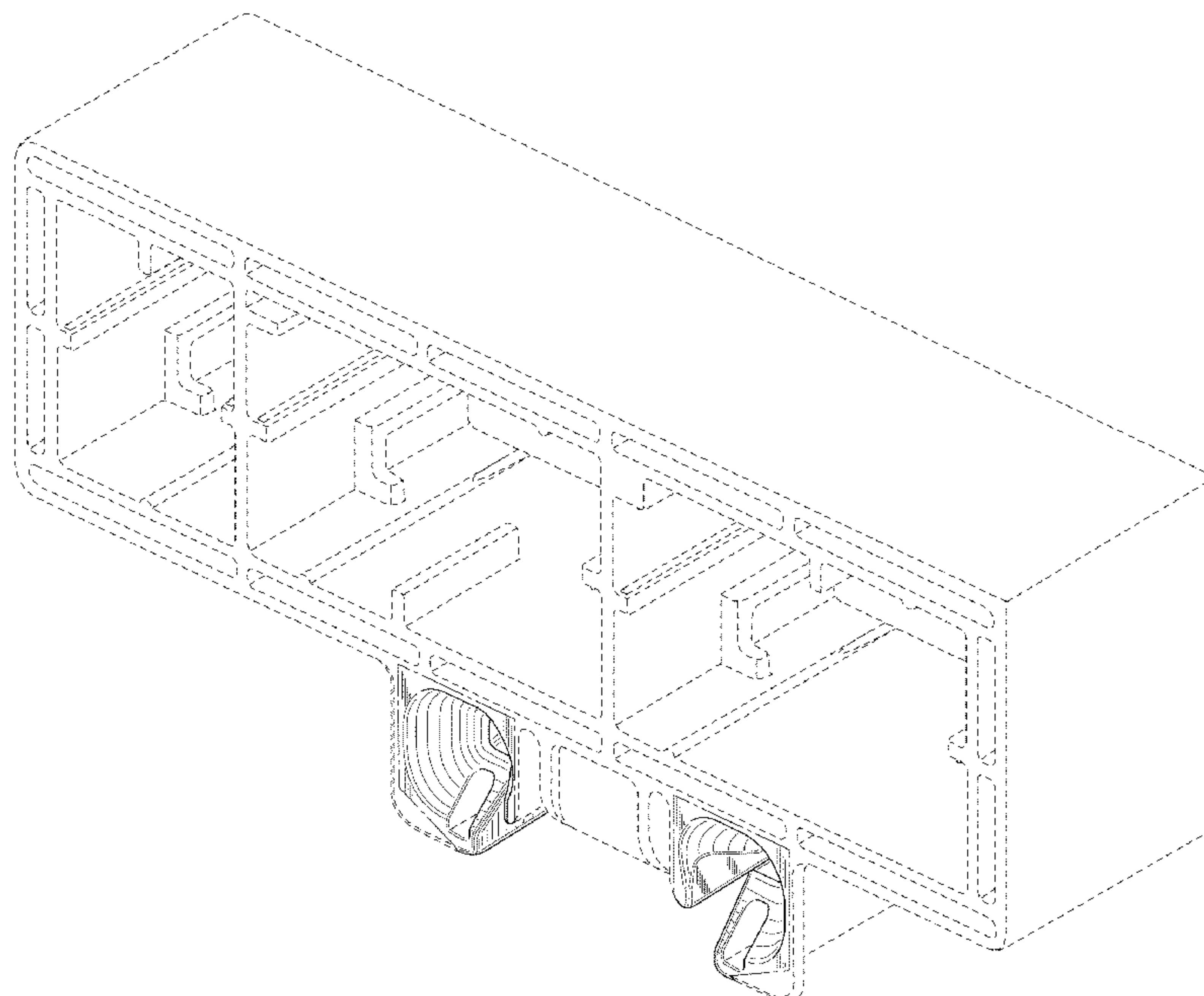
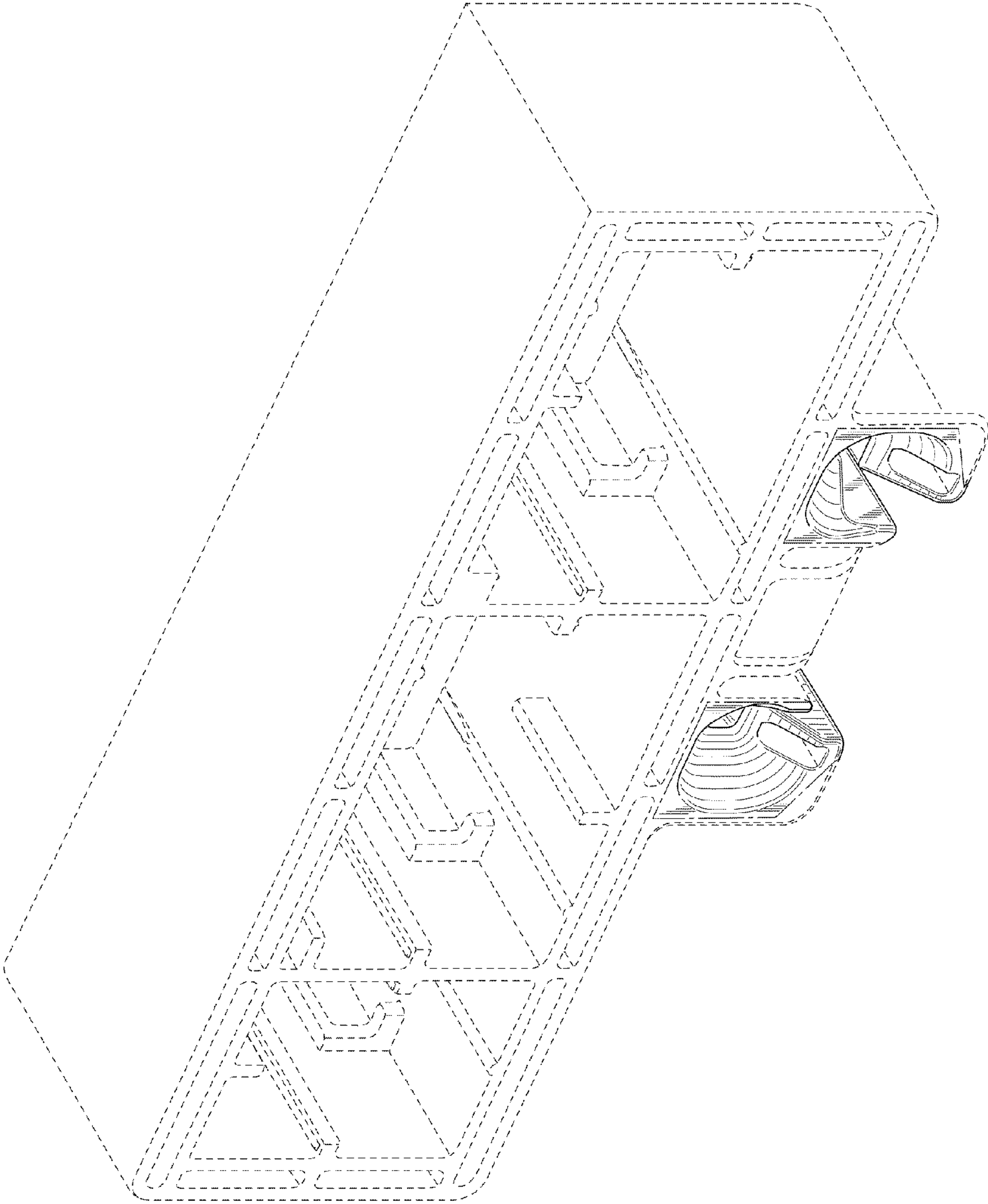


FIG. 1



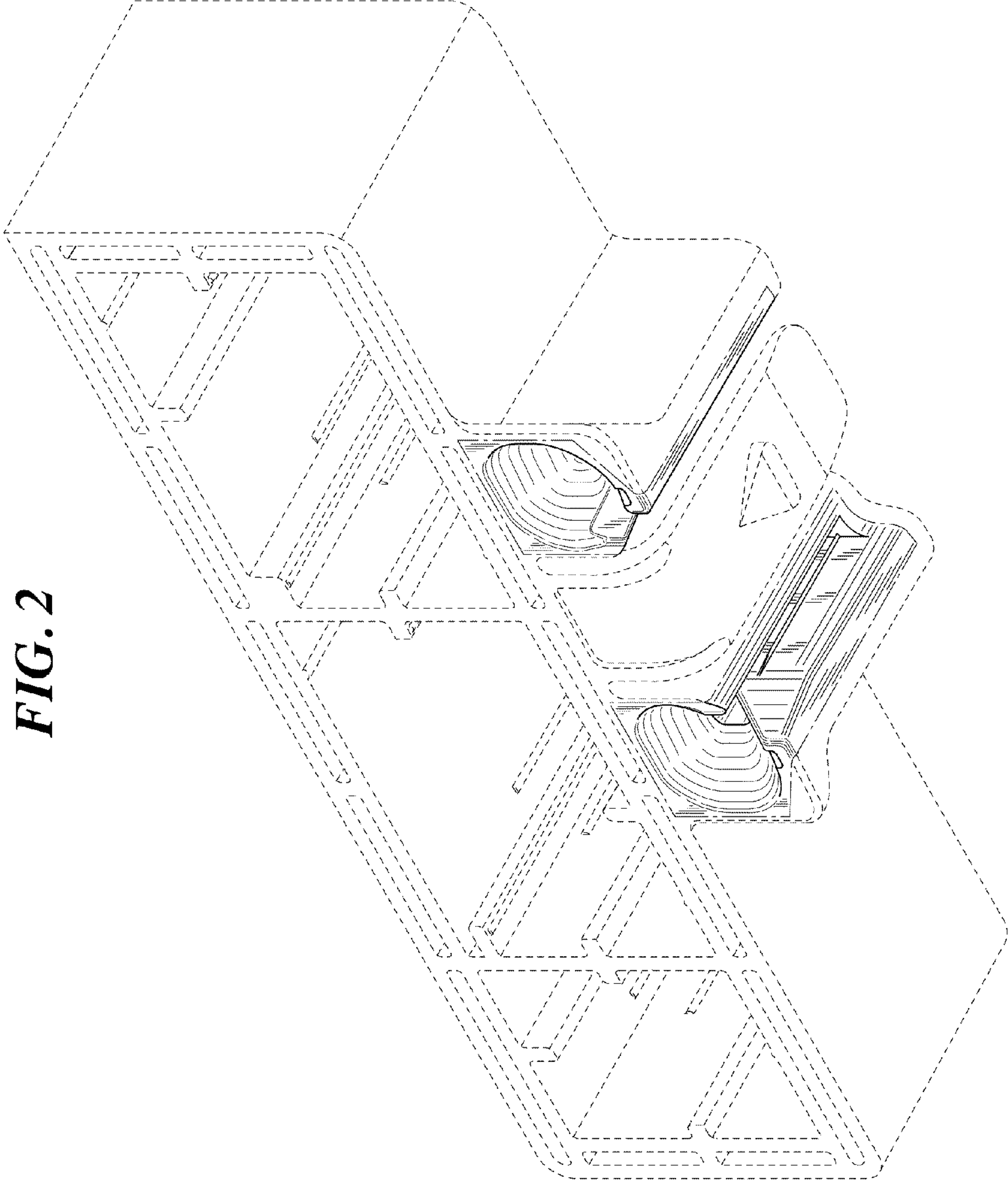


FIG. 2

FIG. 3

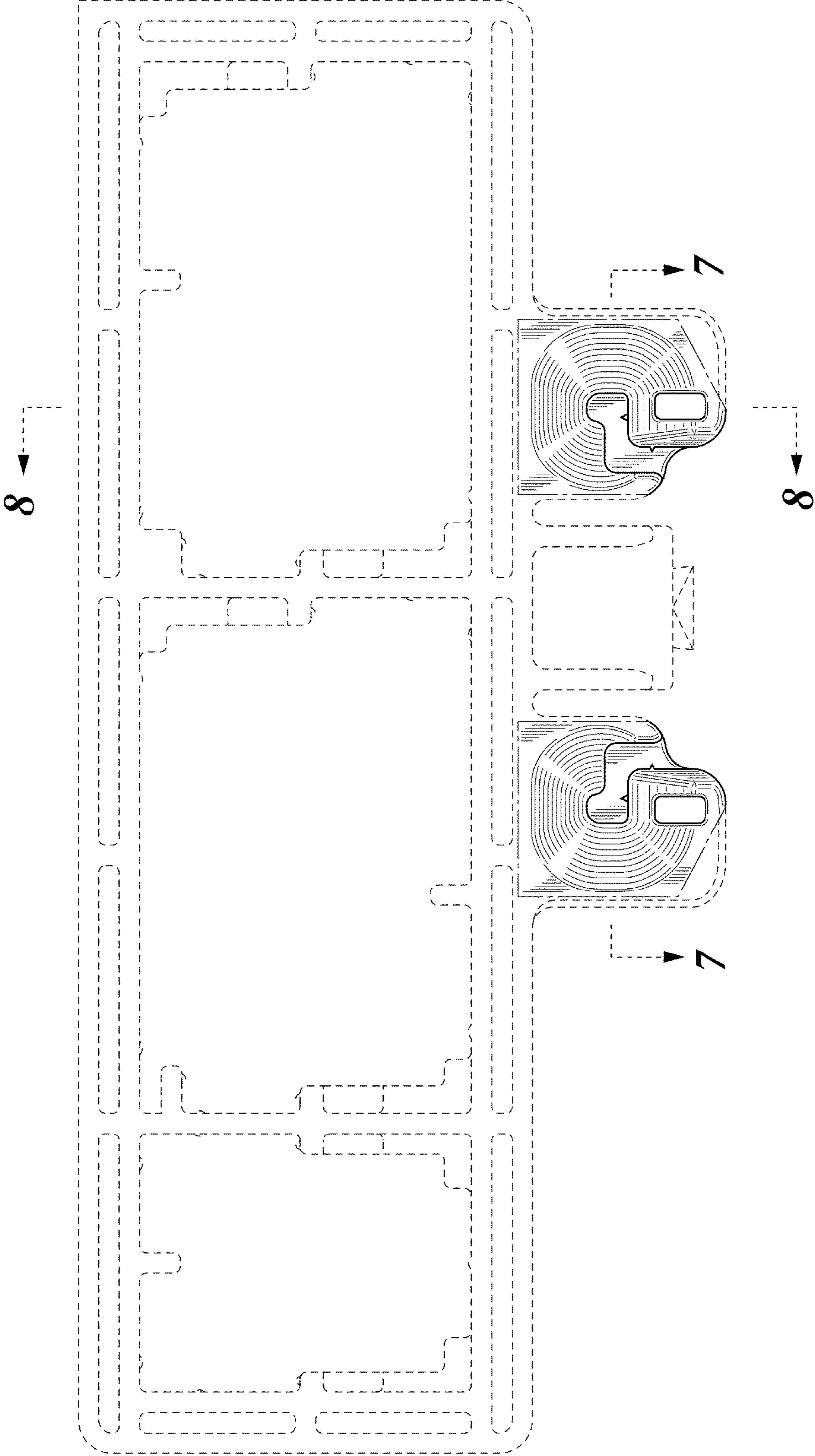


FIG. 4

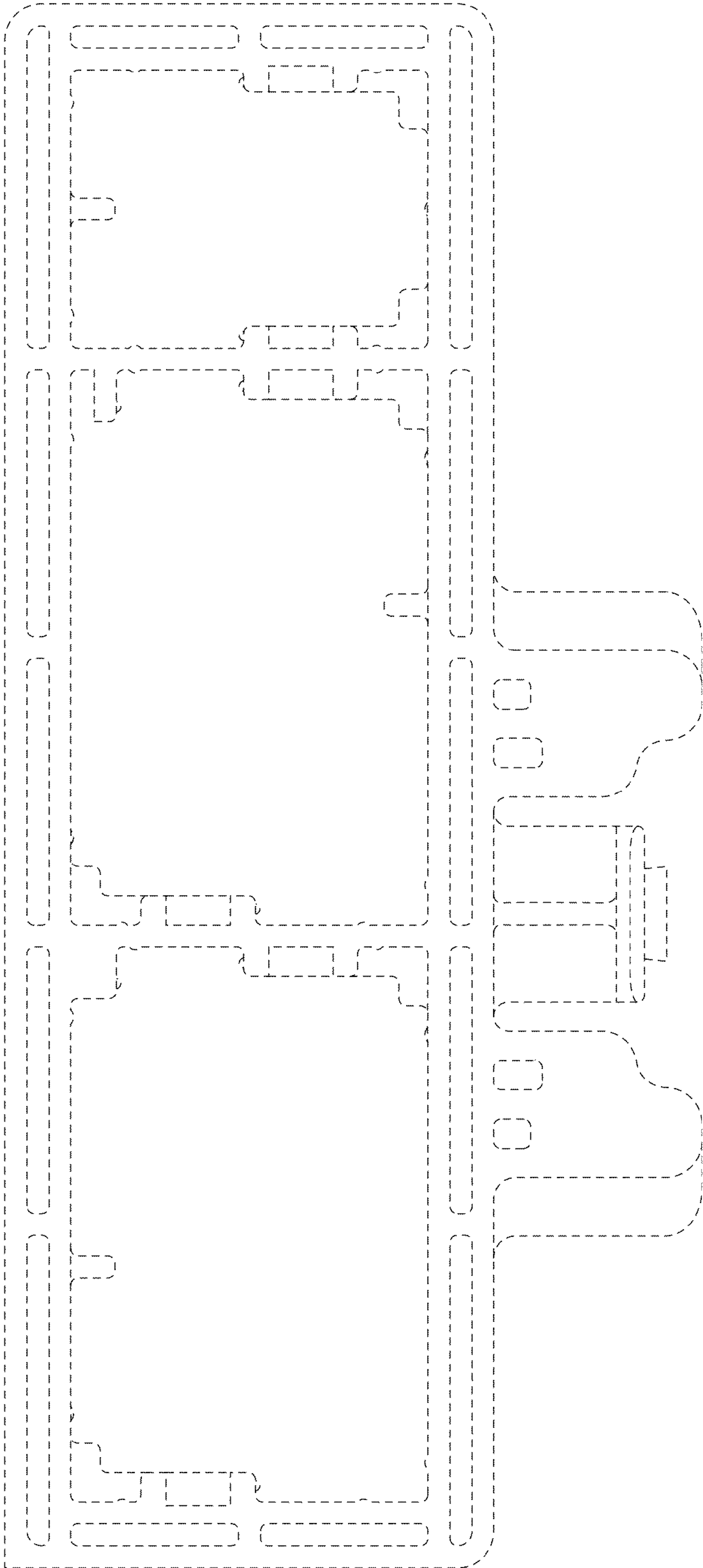


FIG. 5

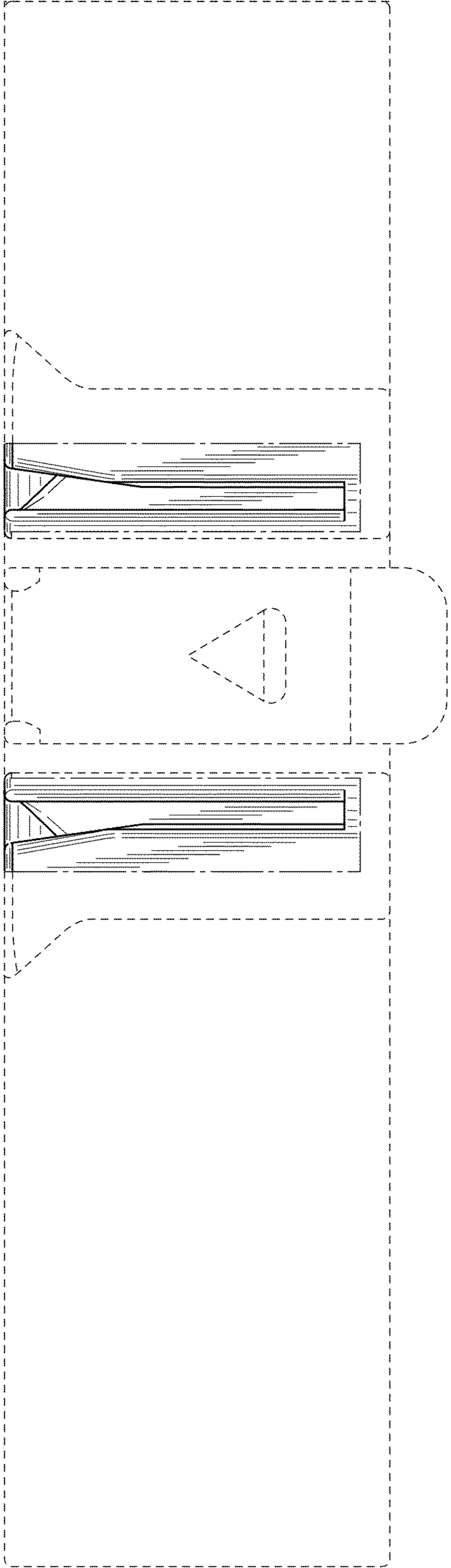


FIG. 6

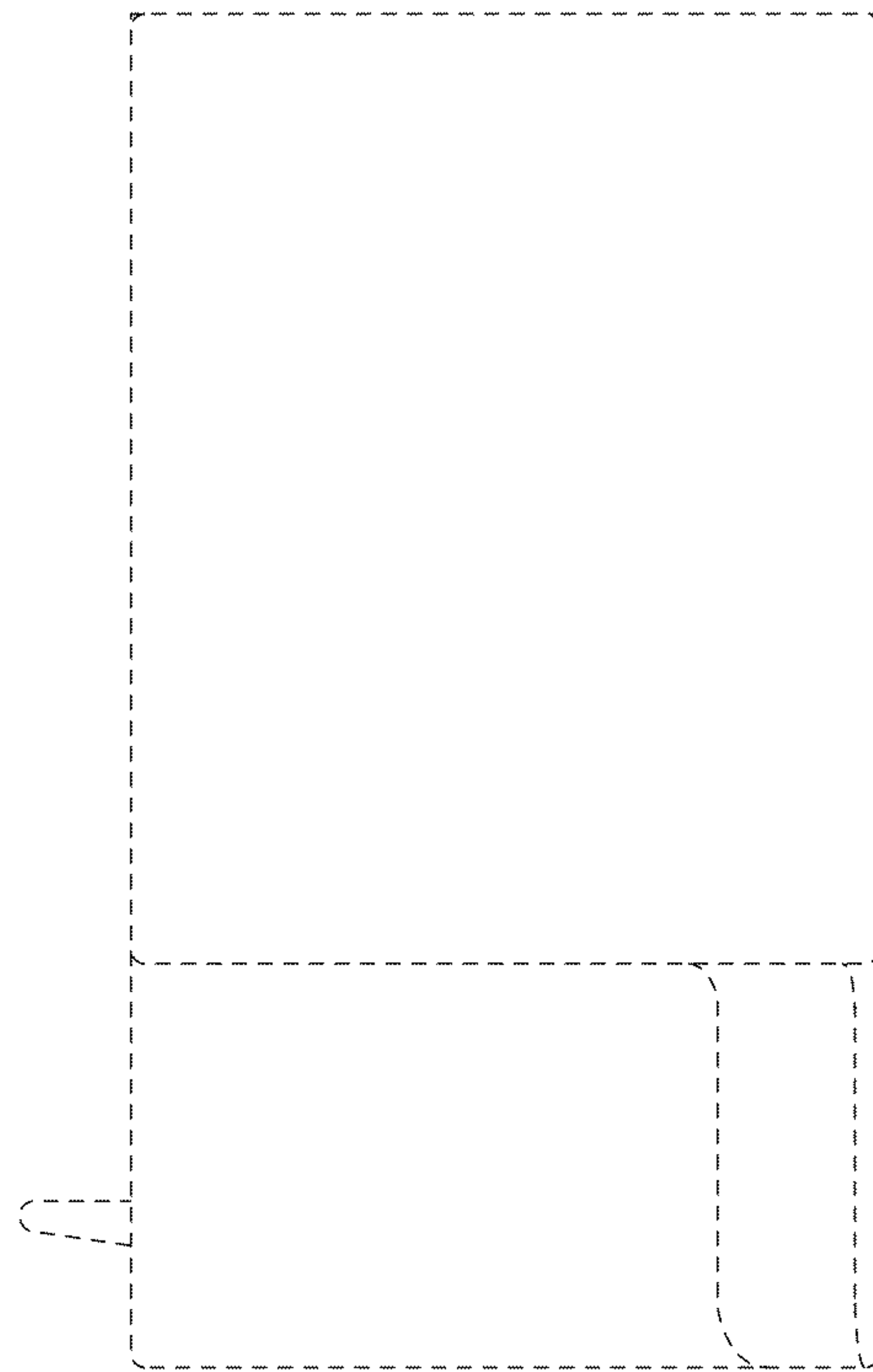


FIG. 7

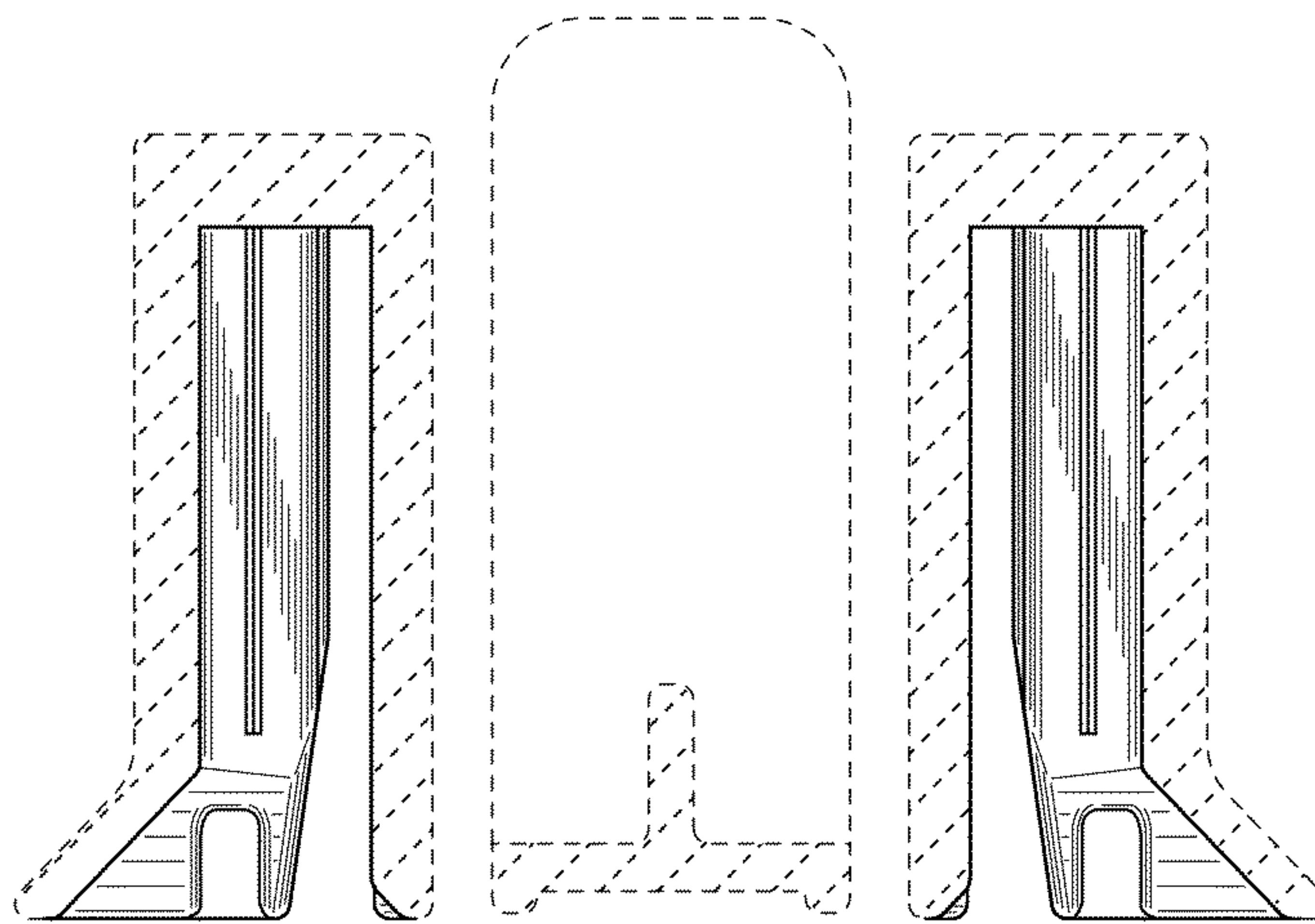


FIG. 8

