



US00D717734S

(12) **United States Design Patent**  
**Habirov et al.**

(10) **Patent No.:** **US D717,734 S**  
(45) **Date of Patent:** **\*\* Nov. 18, 2014**

(54) **ELECTRICAL CONNECTOR COMPRISING A PLURALITY OF MODULAR TERMINAL BLOCKS**

(71) Applicant: **Phoenix Contact GmbH & Co. KG**,  
Blomberg (DE)  
(72) Inventors: **Dennis Habirov**, Bielefeld (DE);  
**Christian Kloppenburg**, Büren  
Wewelsburg (DE); **Olaf Schyrocki**, Bad  
Pyrmont (DE)  
(73) Assignee: **Phoenix Contact GmbH & Co. KG**,  
Blomberg (DE)

(\*\*) Term: **14 Years**  
(21) Appl. No.: **29/439,648**  
(22) Filed: **Dec. 13, 2012**

(30) **Foreign Application Priority Data**

Jun. 13, 2012 (EM) ..... 002057125

(51) **LOC (10) Cl.** ..... **13-03**  
(52) **U.S. Cl.**  
USPC ..... **D13/147**

(58) **Field of Classification Search**  
CPC ..... H01R 9/2491; H01R 9/2675; H01R 9/26;  
H01R 9/2408; H01H 50/048; H01H 71/0271;  
H04B 5/0031; H04B 5/0037  
USPC ..... D13/146, 147, 154; 439/79, 108, 350,  
439/353, 357, 378, 476.1, 489, 587, 594,  
439/595, 598, 607.01, 607.04, 607.05,  
439/607.17, 607.25, 607.34, 607.41,  
439/607.53, 656, 660, 668, 680, 711, 745,  
439/752

See application file for complete search history.

(56) **References Cited**

**U.S. PATENT DOCUMENTS**

D281,415 S \* 11/1985 Nusse ..... D13/147  
5,700,986 A \* 12/1997 Rurup et al. .... 200/50.32

(Continued)

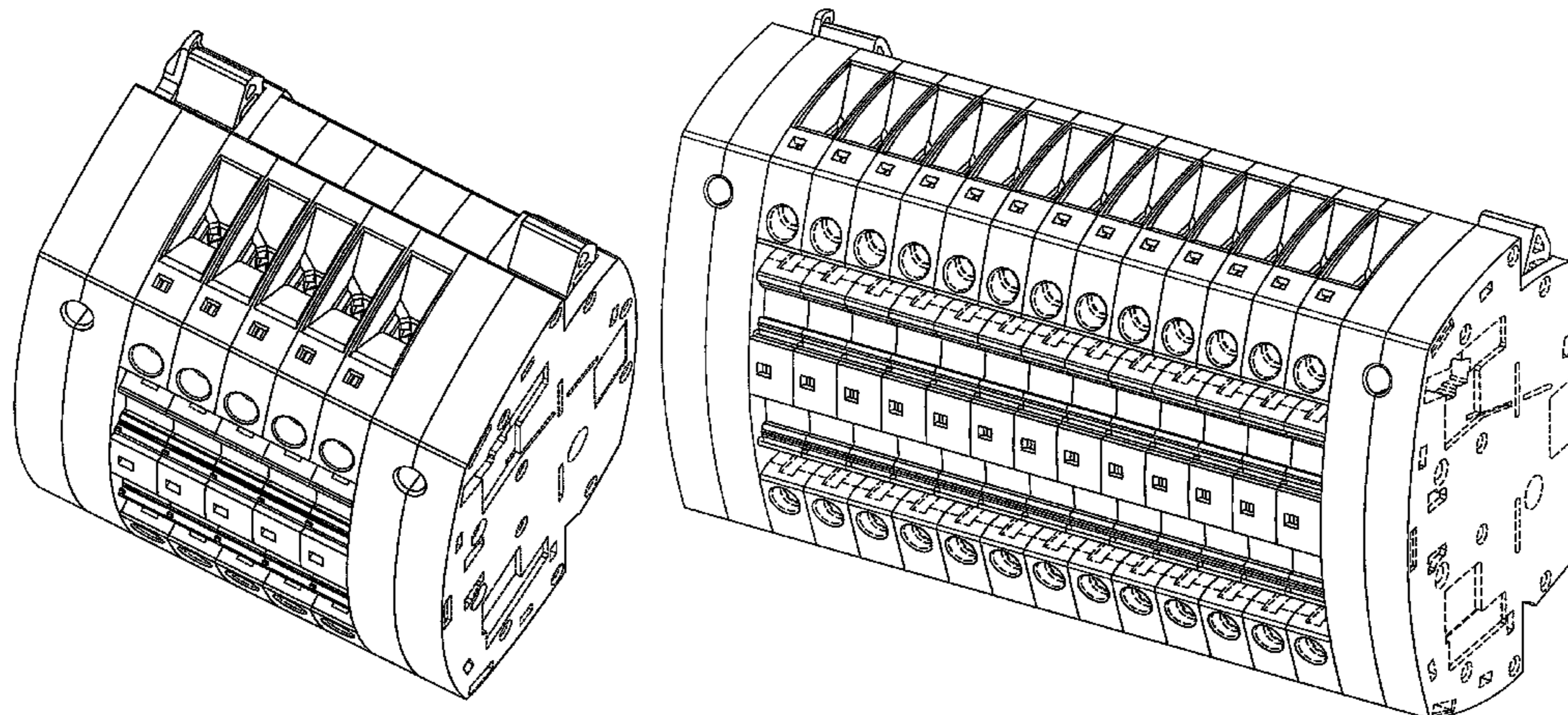
*Primary Examiner* — Thomas Johannes  
(74) *Attorney, Agent, or Firm* — Roberts Mlotkowski  
Safran & Cole, P.C.; David S. Safran

(57) **CLAIM**  
The ornamental design for an electrical connector comprising a plurality of modular terminal blocks, as shown and described.

**DESCRIPTION**

FIG. 1 is a bottom plan view of an electrical connector comprising a plurality of modular terminal blocks in accordance with a first embodiment of our new design; FIG. 2 is a front elevation view thereof; FIG. 3 is a rear elevation view thereof; FIG. 4 is a top plan view thereof; FIG. 5 is a top, right, front perspective view thereof; FIG. 6 is a bottom plan view of an electrical connector comprising a plurality of modular terminal blocks in accordance with a second embodiment of our new design; FIG. 7 is a front elevation view thereof; FIG. 8 is a rear elevation view thereof; FIG. 9 is a top plan view thereof; FIG. 10 is a top, right, front perspective view thereof; FIG. 11 is a bottom plan view of an electrical connector comprising a plurality of modular terminal blocks in accordance with a third embodiment of our new design; FIG. 12 is a front elevation view thereof; FIG. 13 is a rear elevation view thereof; FIG. 14 is a top plan view thereof; FIG. 15 is a top, right, front perspective view thereof; FIG. 16 is a bottom plan view of the electrical connector comprising a plurality of modular terminal blocks in accordance with a fourth embodiment of our new design; FIG. 17 is a front elevation view thereof; FIG. 18 is a rear elevation view thereof; FIG. 19 is a top plan view thereof; FIG. 20 is a top, right, front perspective view thereof; FIG. 21 is a left side elevation view of an electrical connector comprising a plurality of modular terminal blocks in accordance with all embodiments of our new design; and, FIG. 22 is a right side elevation view thereof. The broken line portion of the figure drawings is included to show unclaimed subject matter only and forms no part of the claimed design.

**1 Claim, 22 Drawing Sheets**



(56)

**References Cited**

U.S. PATENT DOCUMENTS

D471,158	S *	3/2003	Mori et al.	.....	D13/147	D619,103	S *	7/2010	Hanses	.....	D13/160
6,733,330	B2 *	5/2004	Prost et al.	.....	439/532	7,753,739	B2 *	7/2010	Bentler et al.	.....	439/709
7,491,096	B1 *	2/2009	Correll	.....	439/716	D621,784	S *	8/2010	Bower et al.	.....	D13/147
7,537,496	B2 *	5/2009	Bentler et al.	.....	439/835	8,647,157	B2 *	2/2014	Gan et al.	.....	439/716
D593,951	S *	6/2009	Yoon	.....	D13/147	2007/0173136	A1 *	7/2007	Bentler et al.	.....	439/835
D594,419	S *	6/2009	Yoon	.....	D13/147	2009/0035983	A1 *	2/2009	Correll	.....	439/460
7,553,199	B2 *	6/2009	Correll	.....	439/715	2009/0157937	A1 *	6/2009	Kuschke et al.	.....	710/305
						2010/0120295	A1 *	5/2010	Trinh	.....	439/661
						2012/0252262	A1 *	10/2012	Reibke et al.	.....	439/507

\* cited by examiner

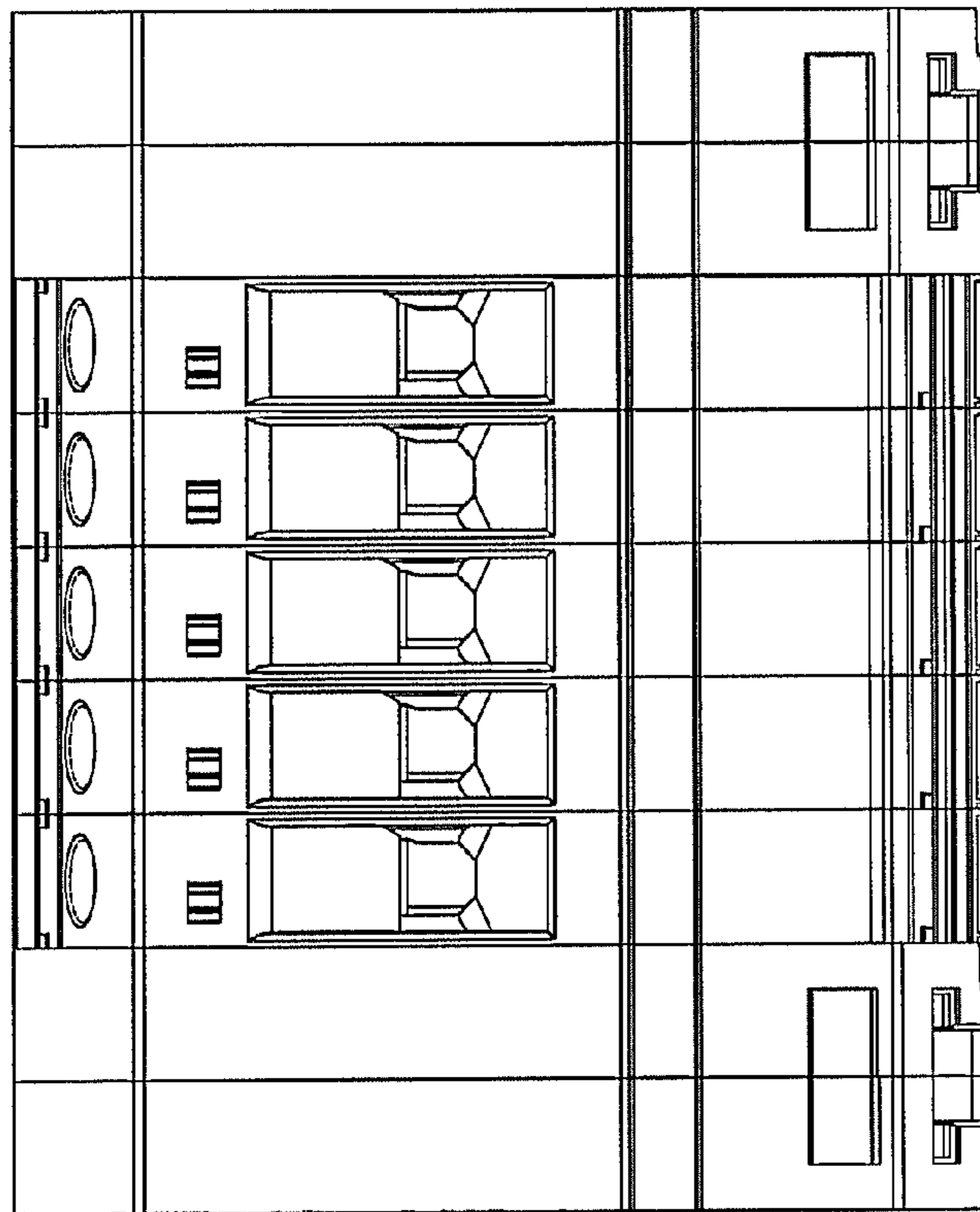


FIG. 1

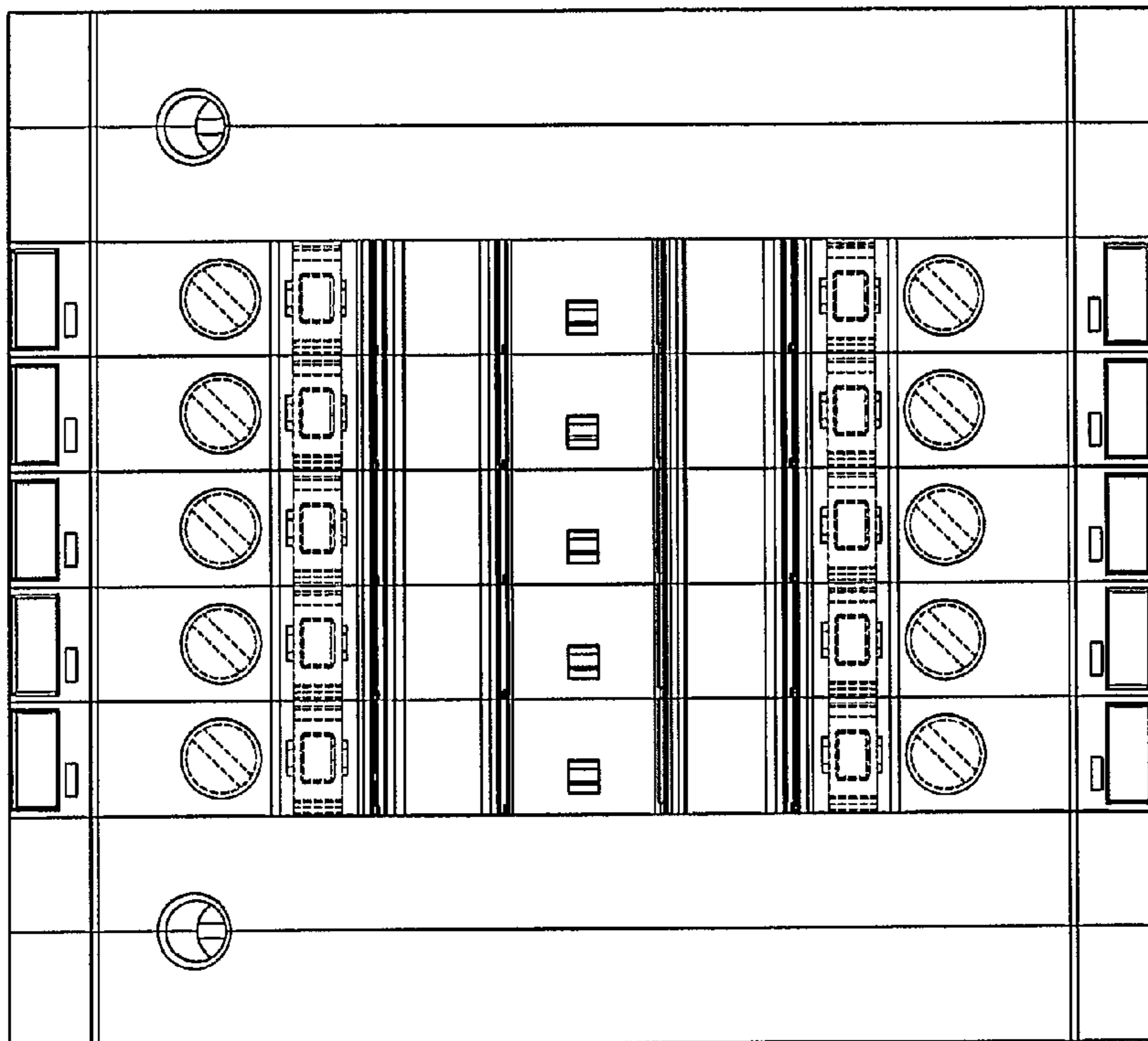


FIG. 2



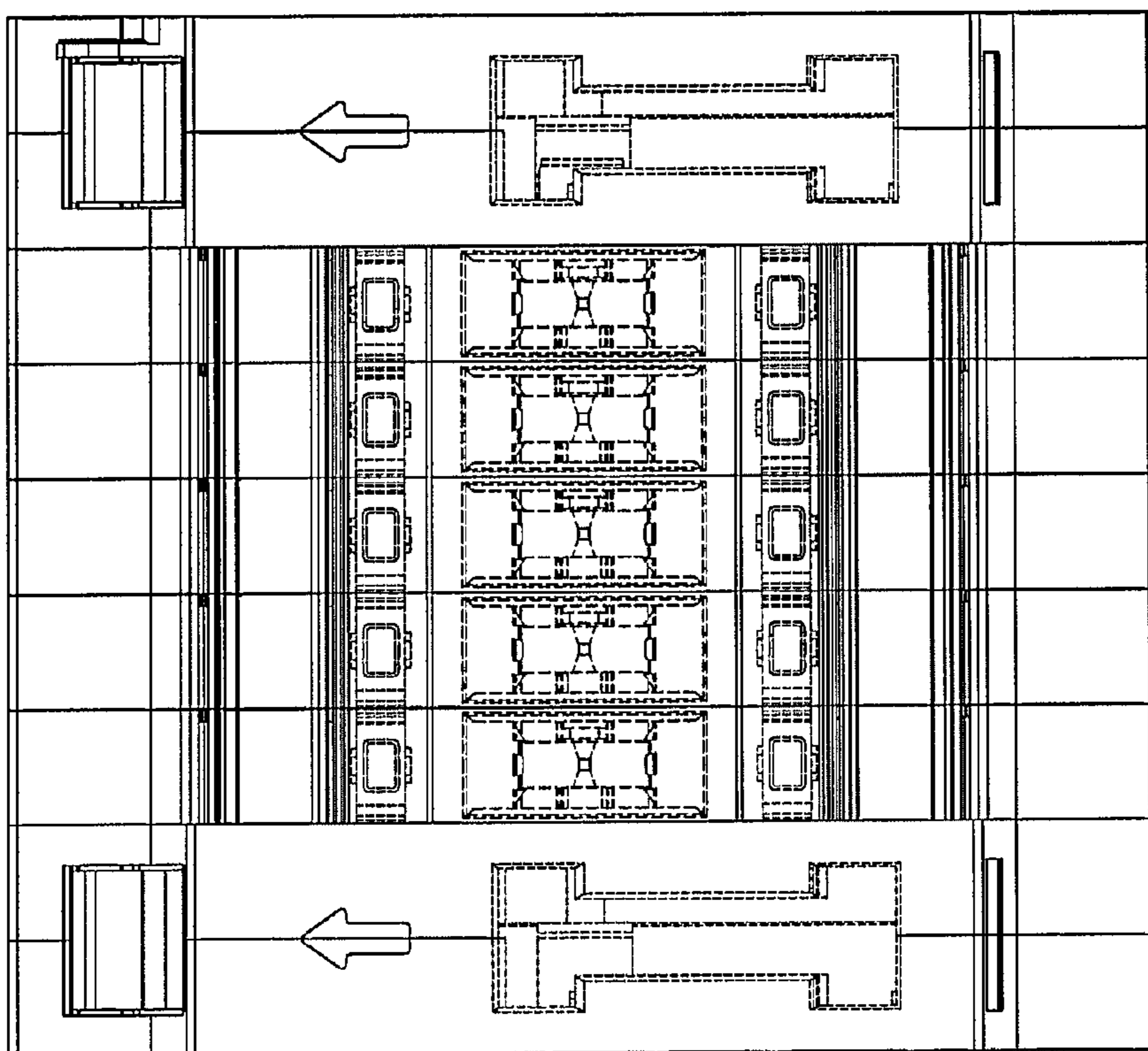


FIG. 3

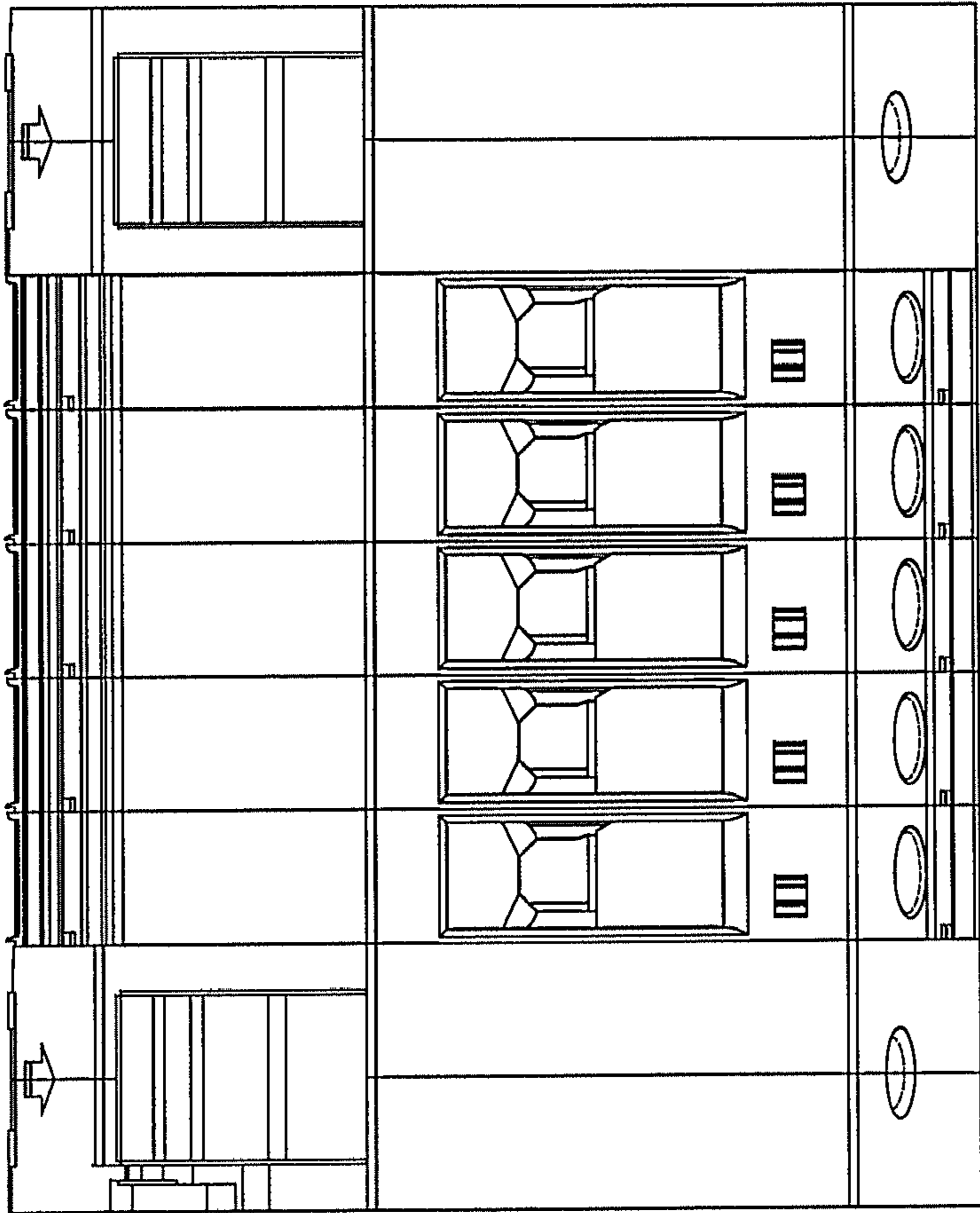


FIG. 4

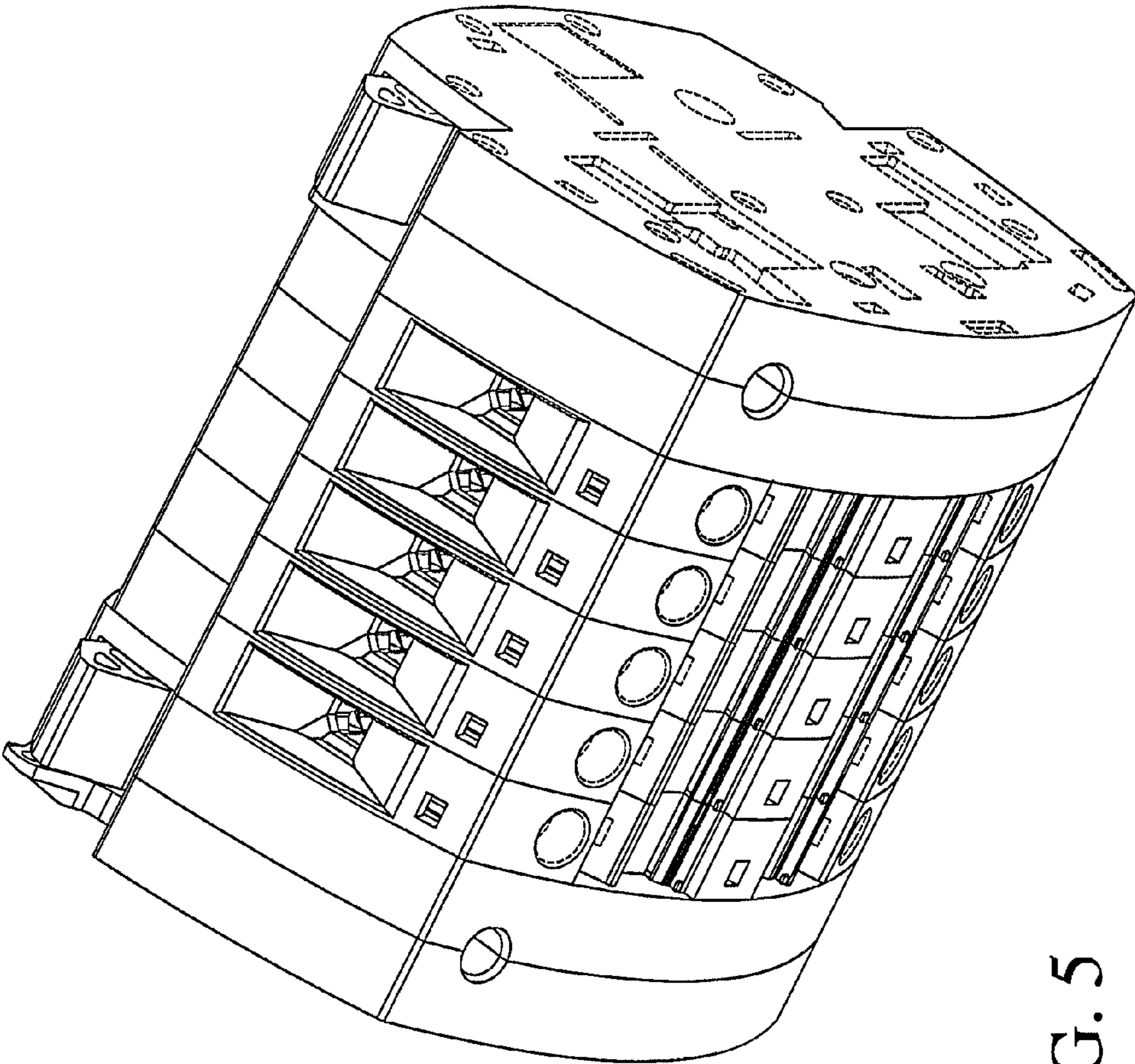


FIG. 5

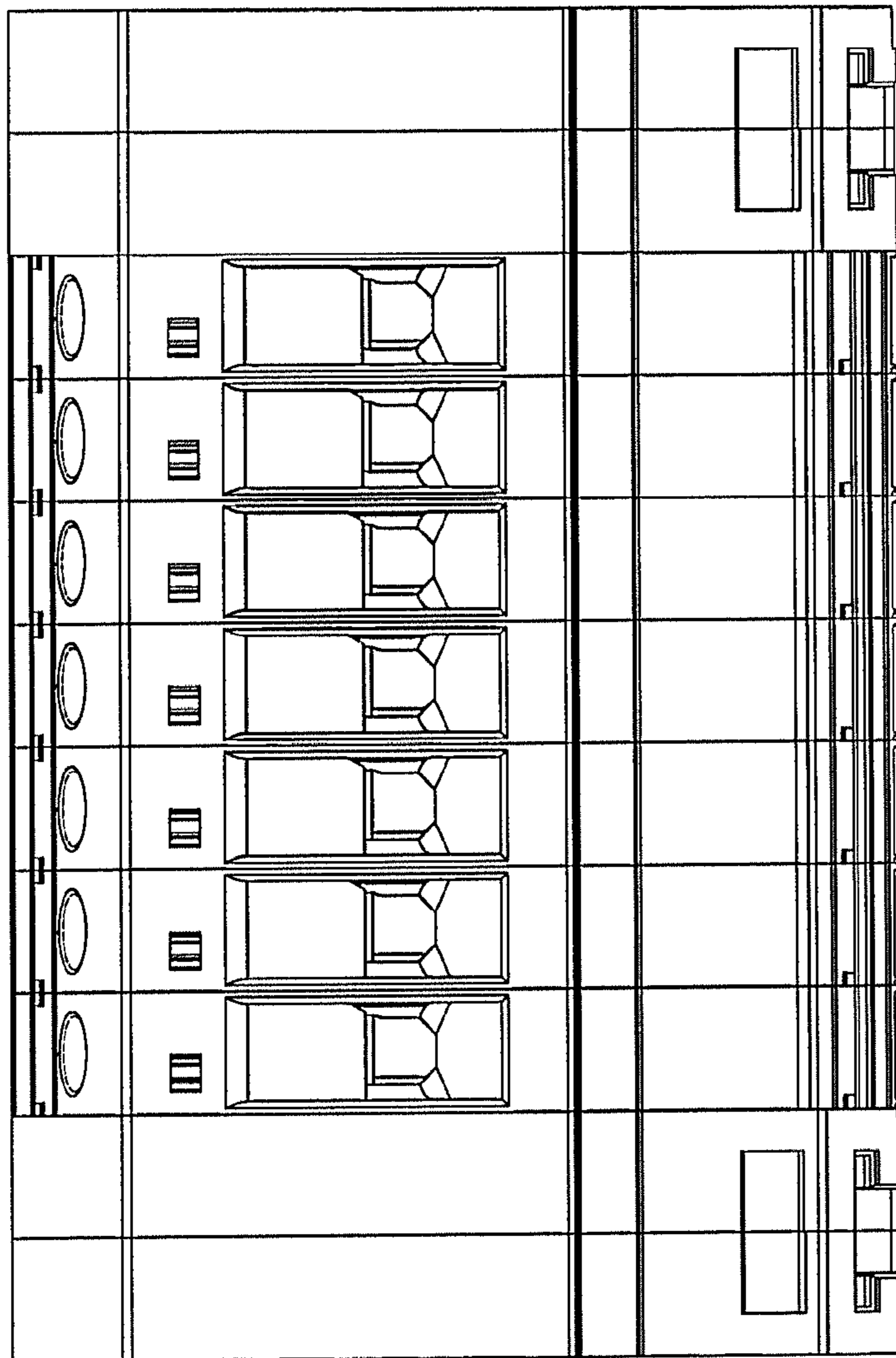


FIG. 6



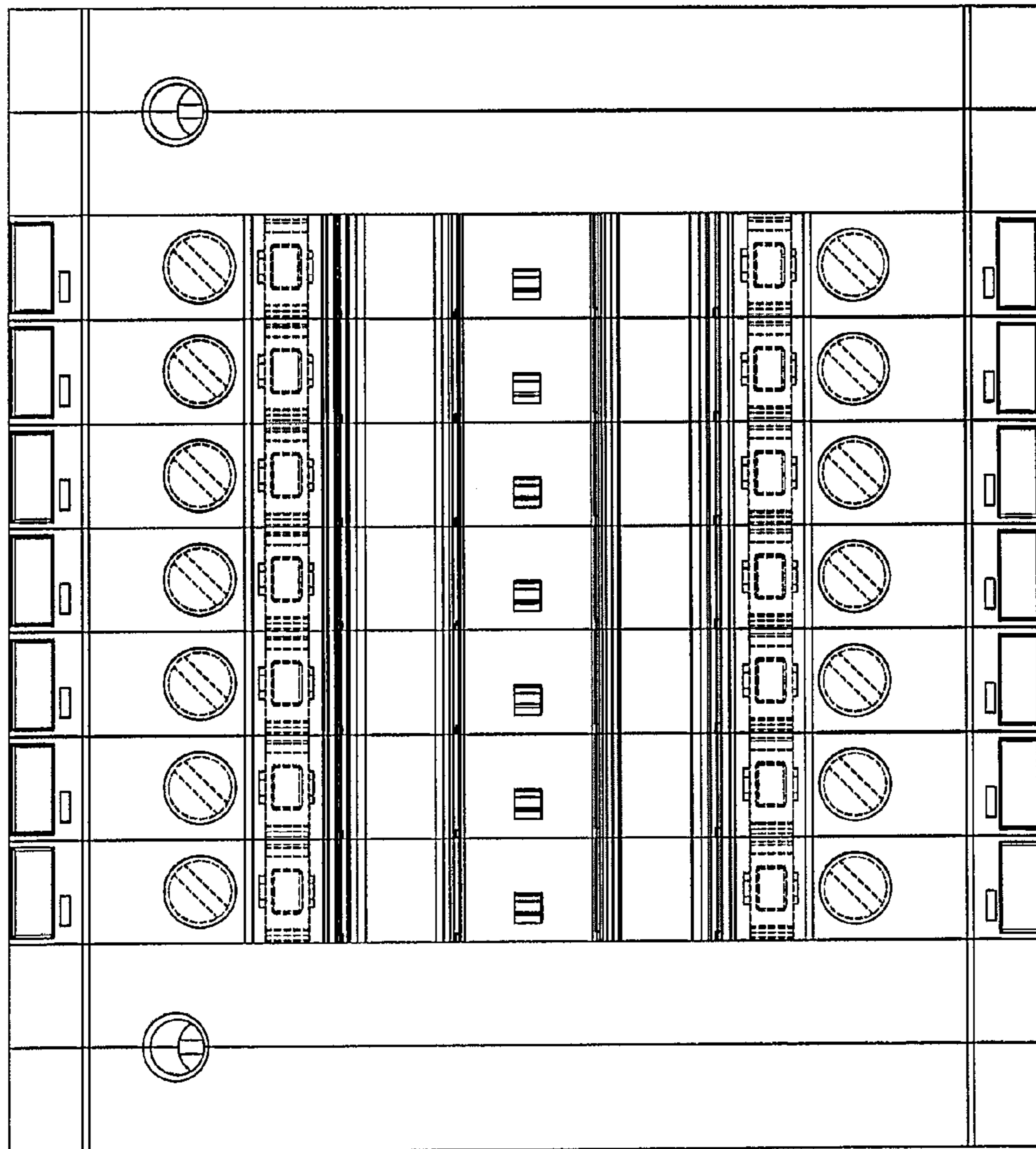


FIG. 7

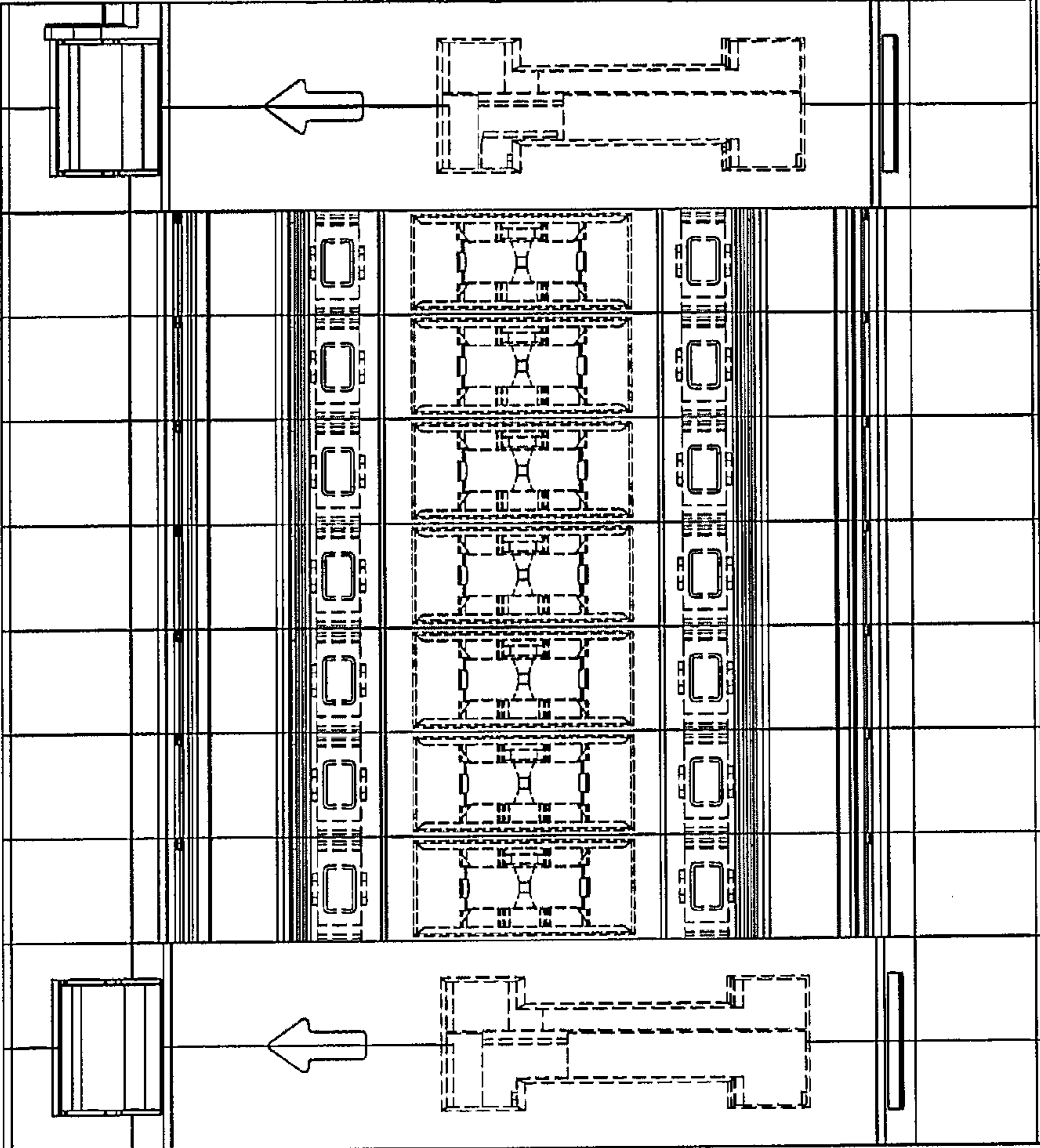


FIG. 8

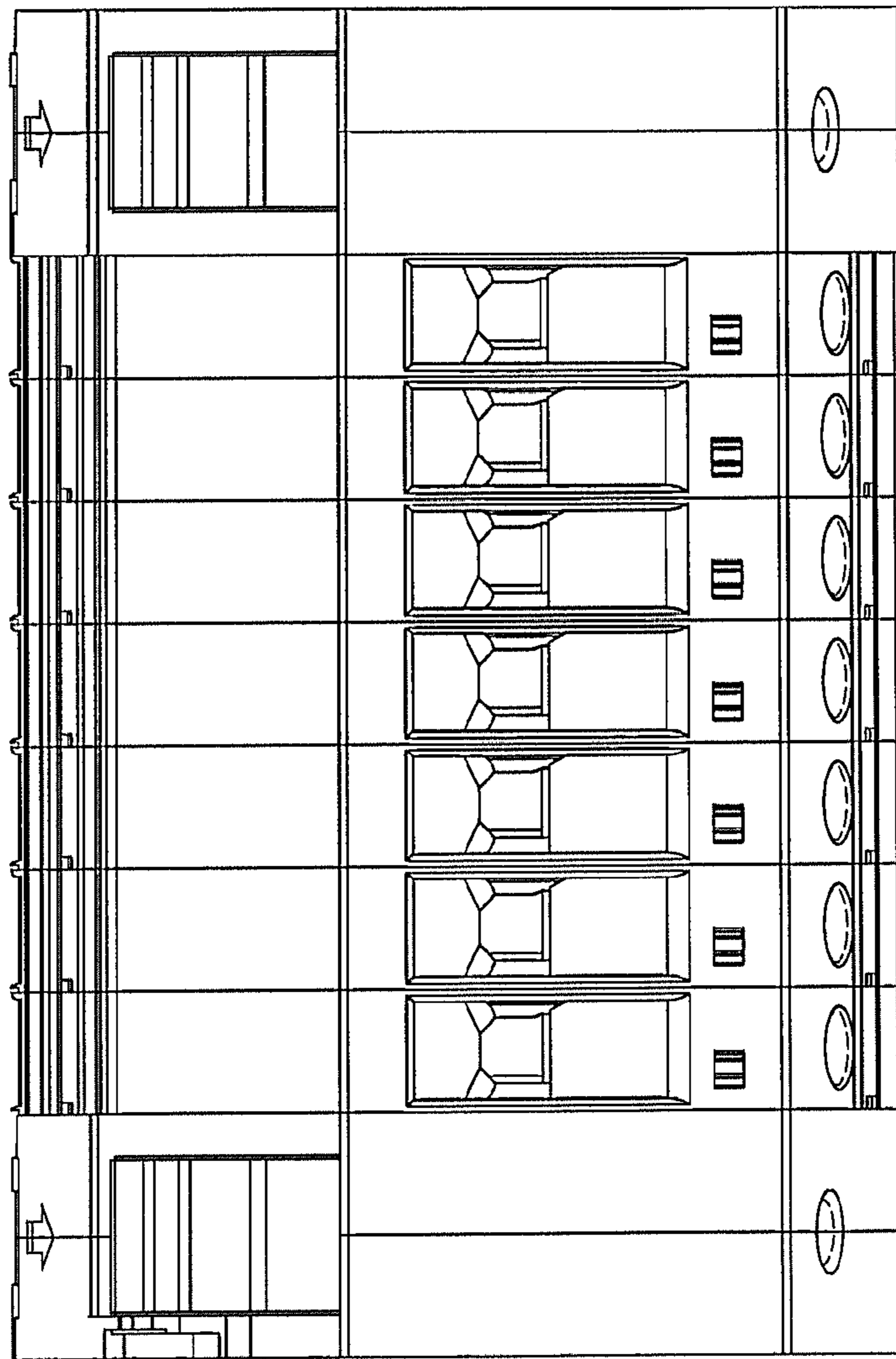


FIG. 9

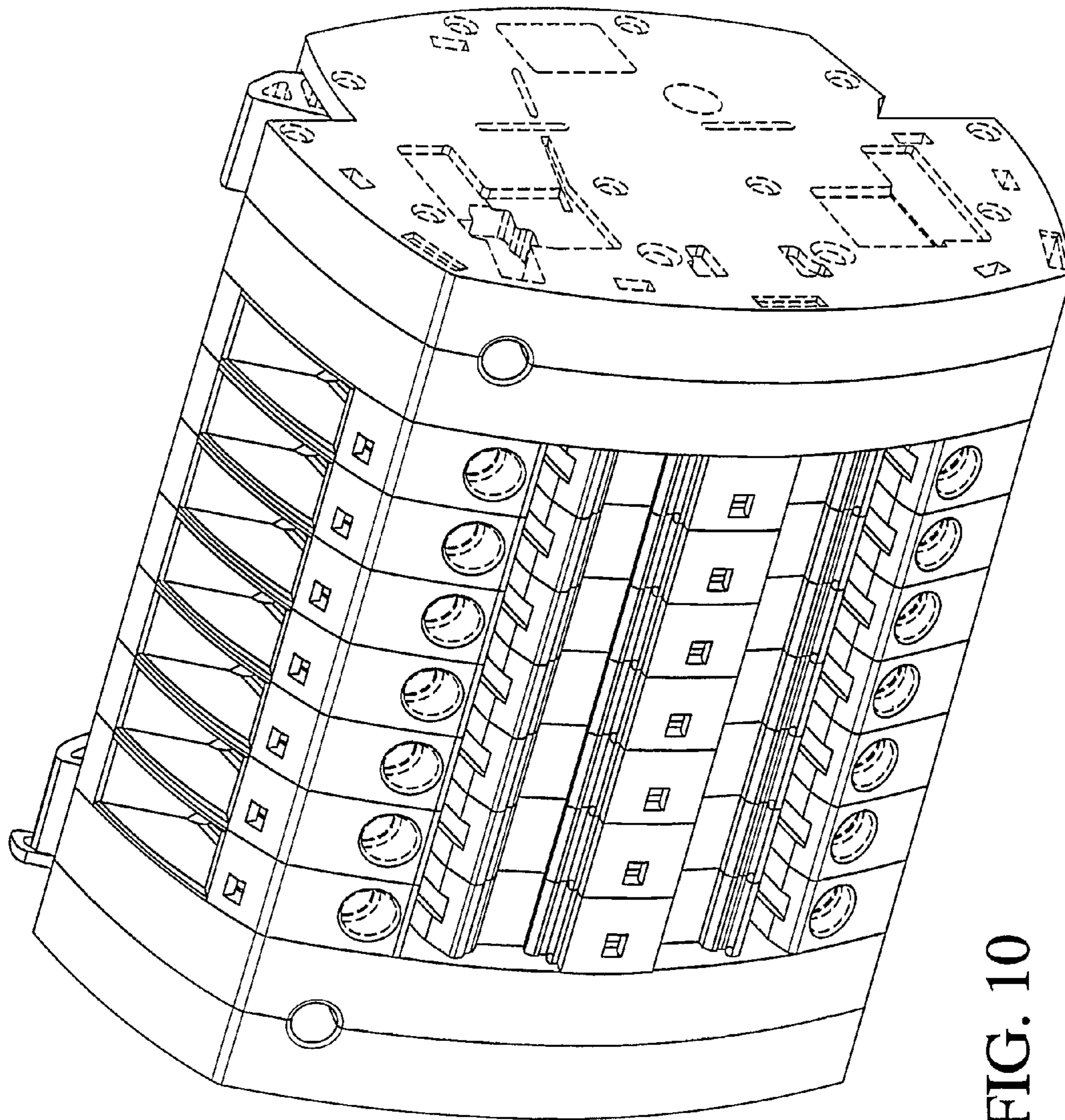


FIG. 10



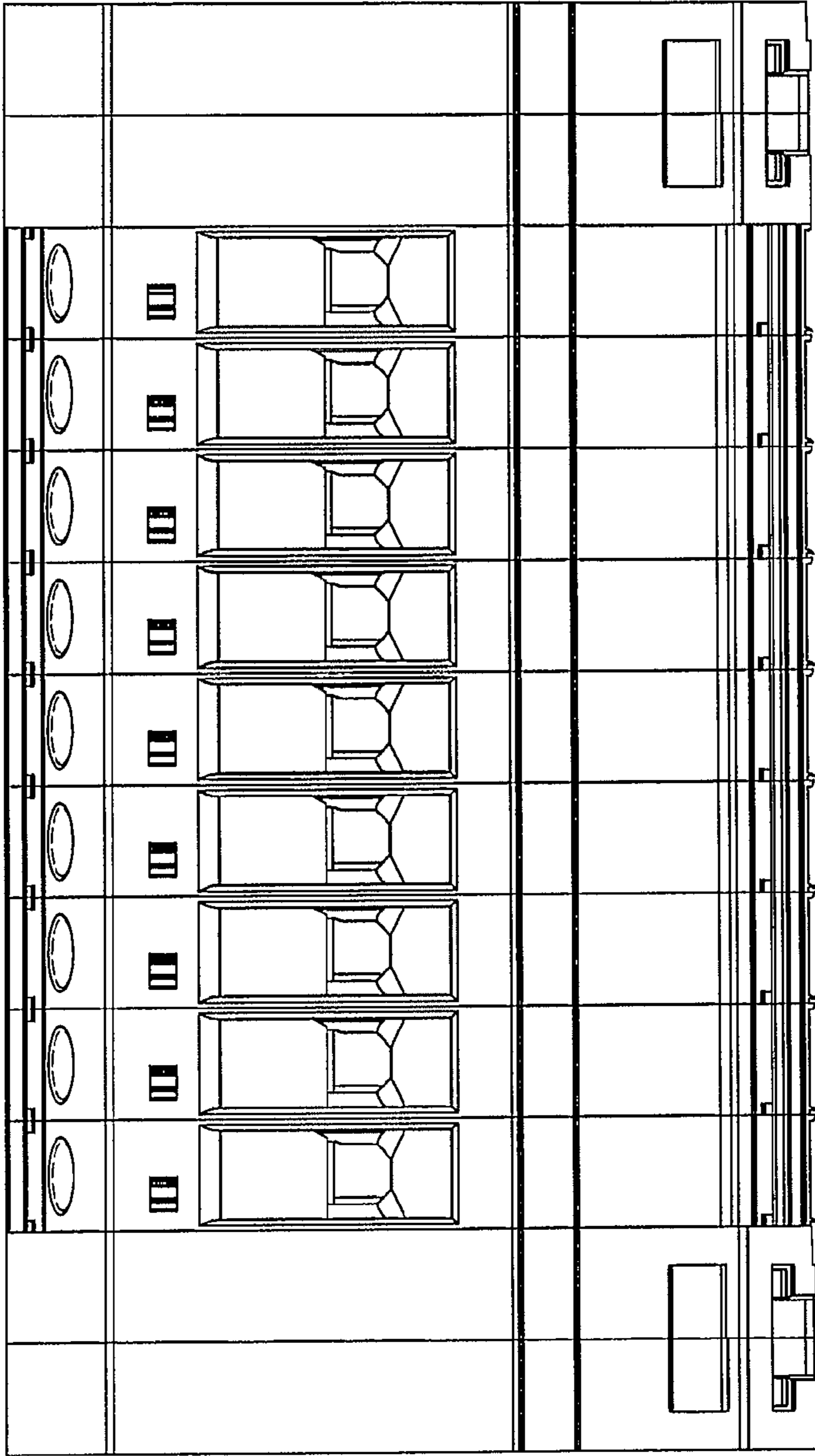


FIG. 11

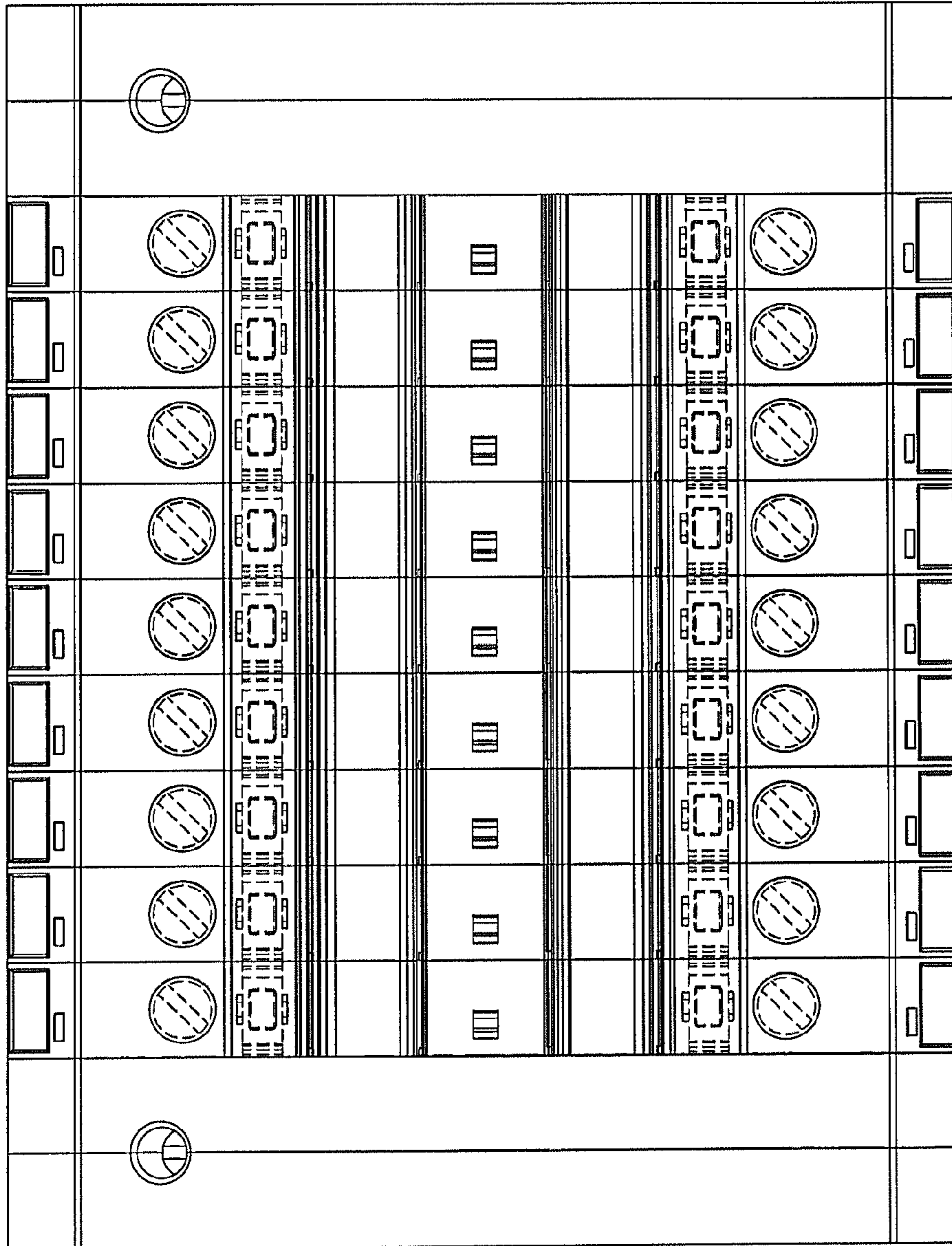


FIG. 12

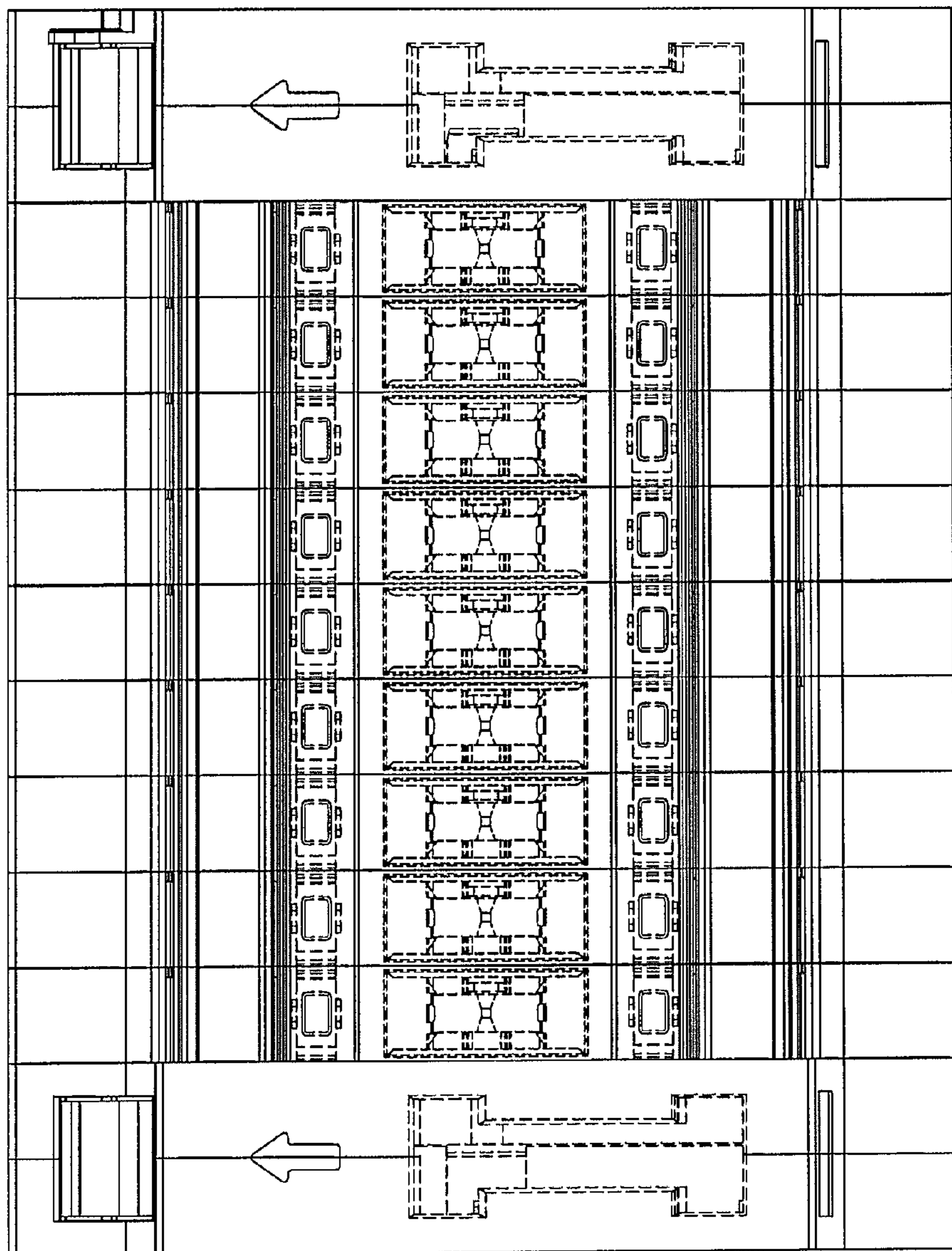


FIG. 13

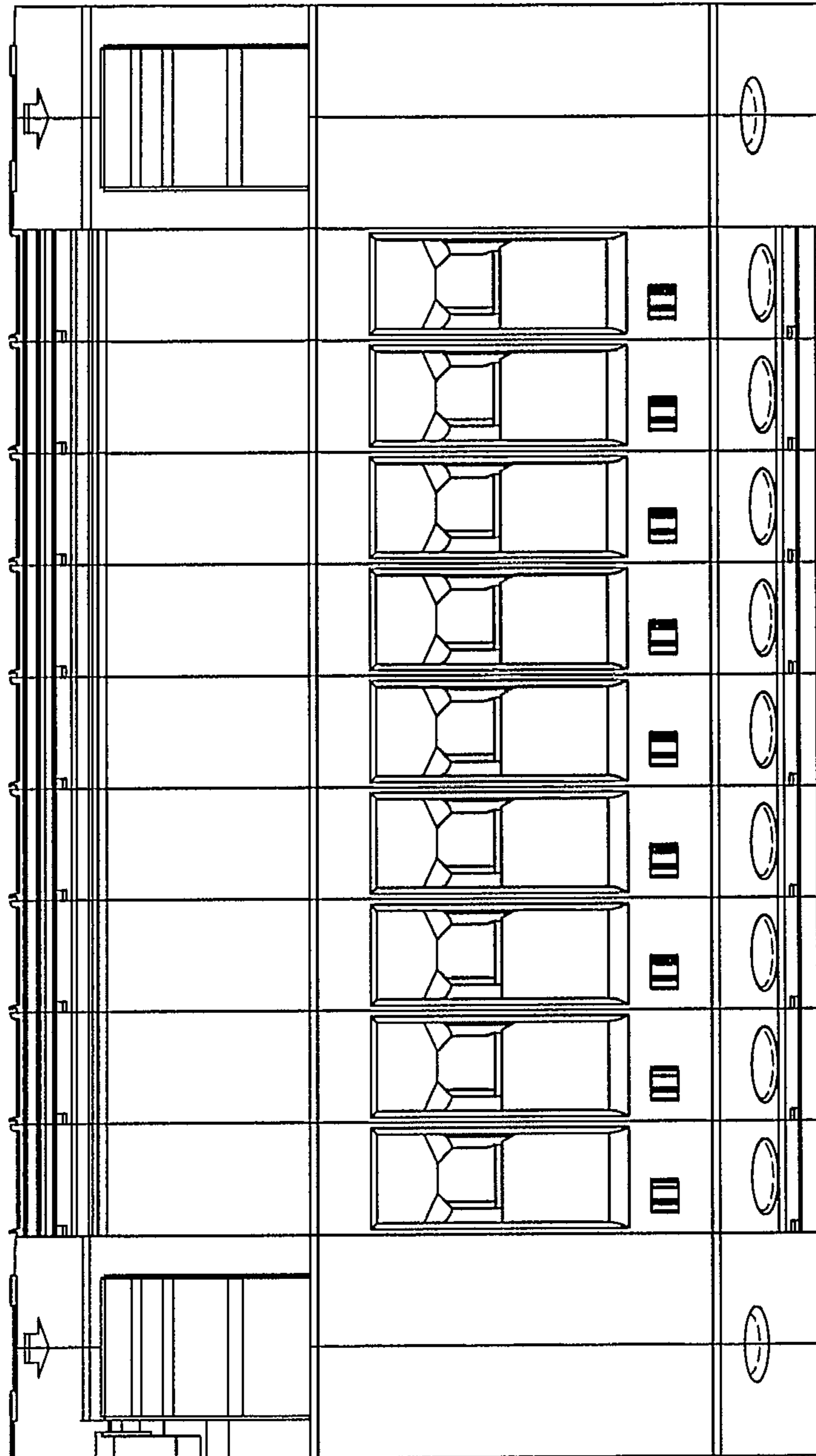


FIG. 14



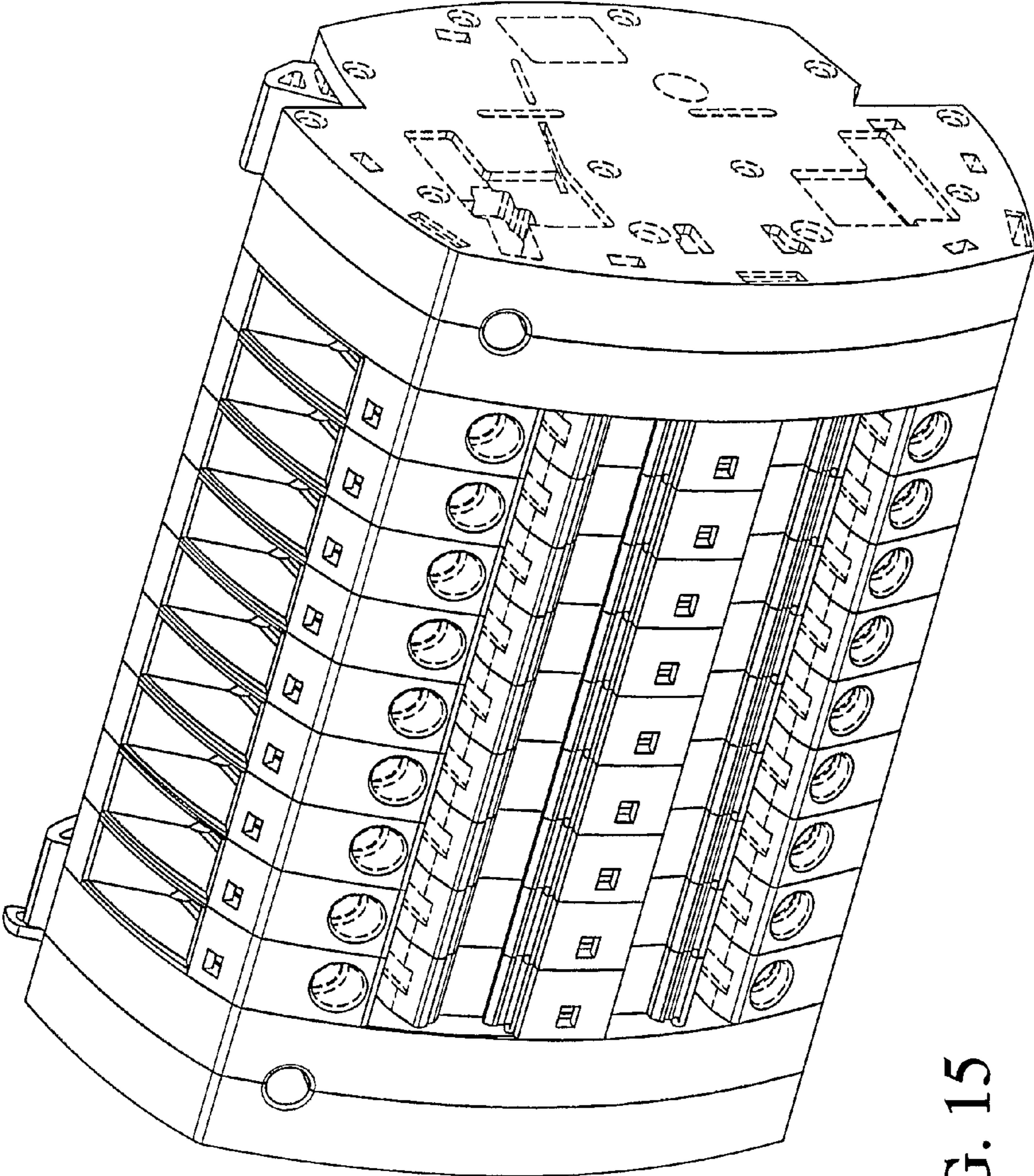


FIG. 15

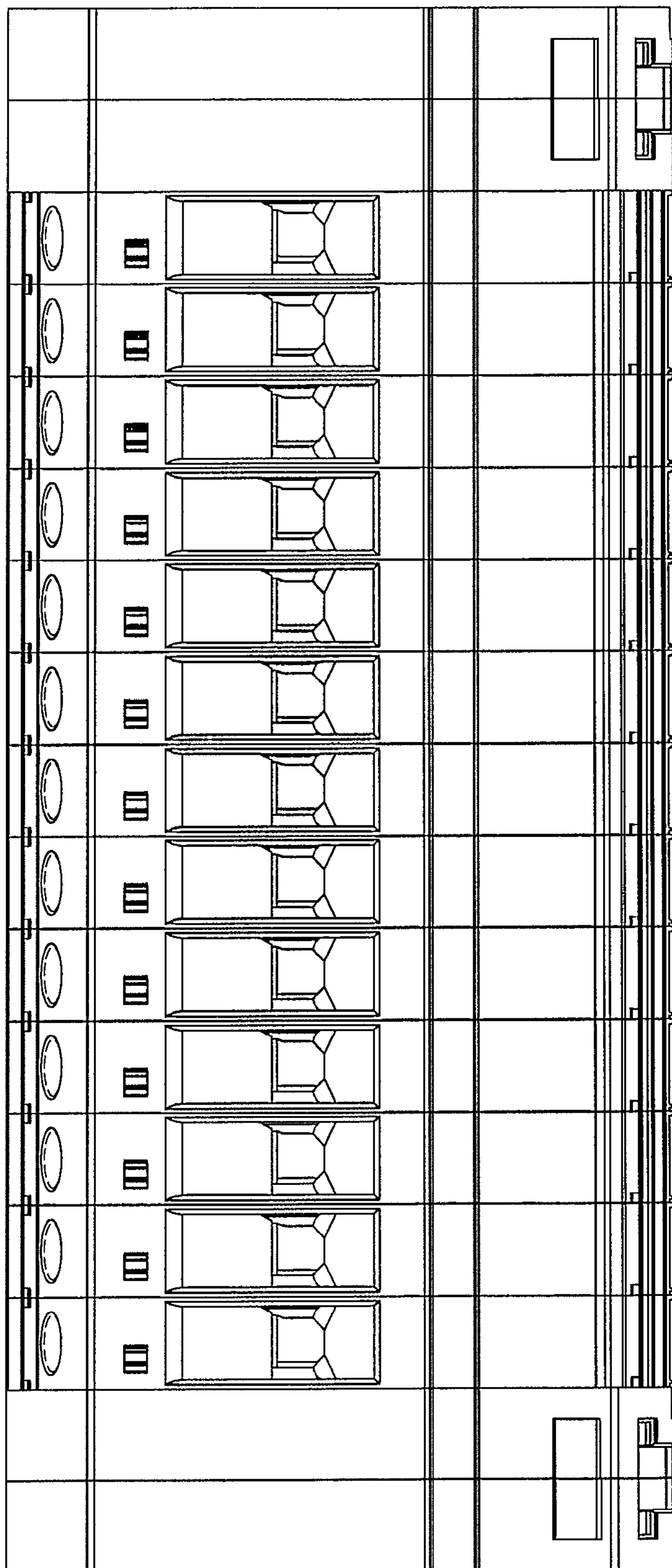


FIG. 16

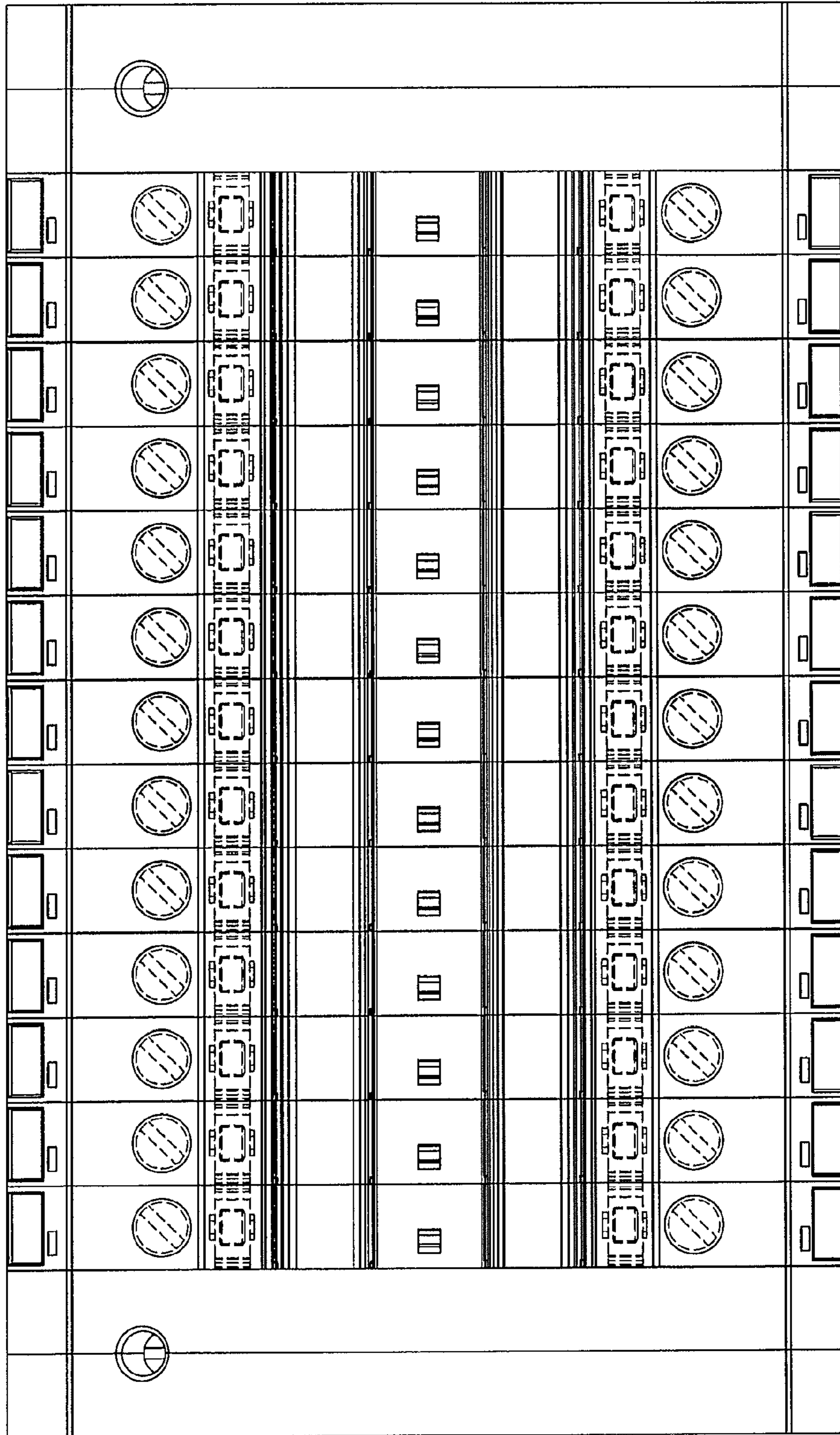


FIG. 17



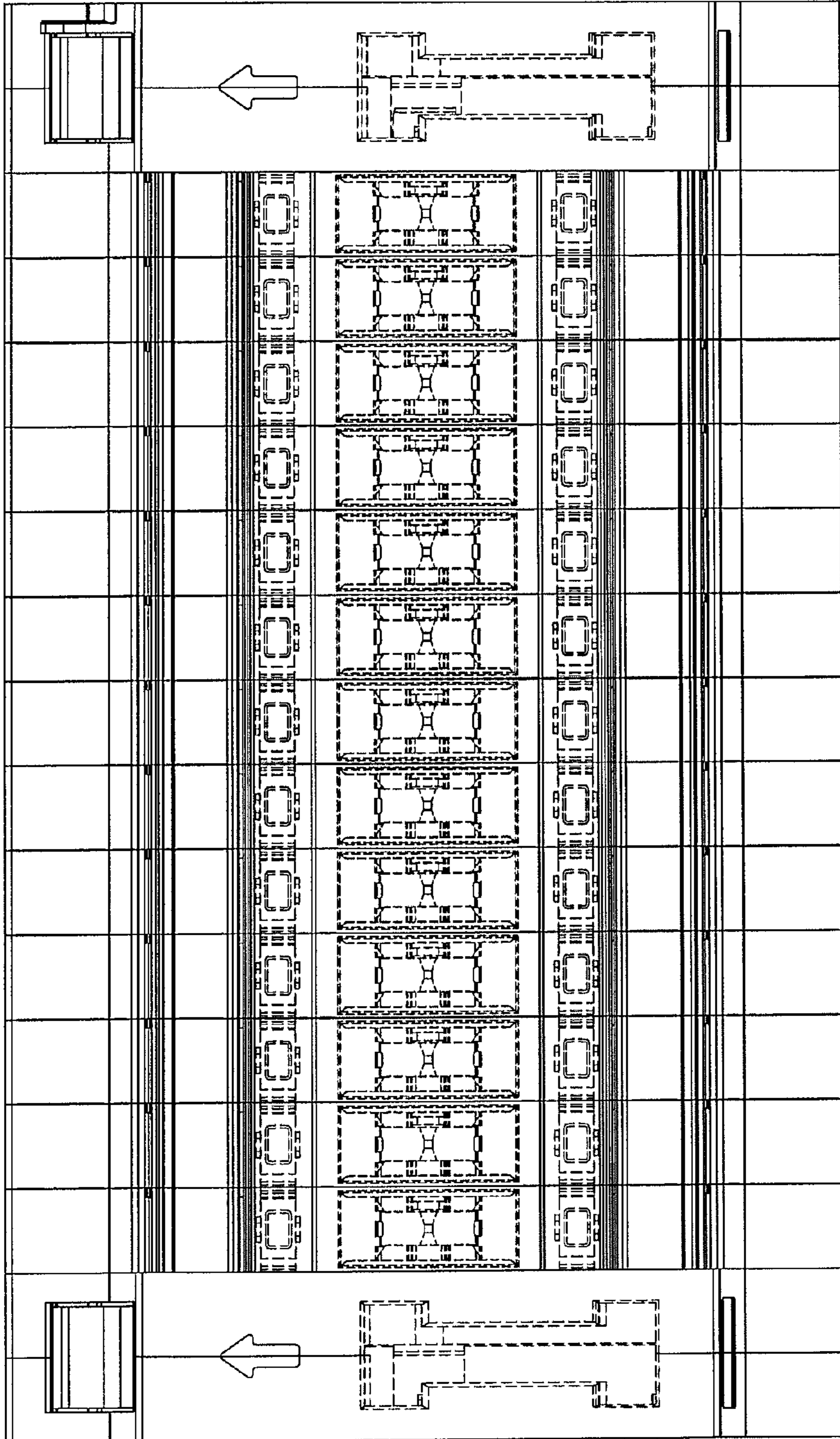


FIG. 18



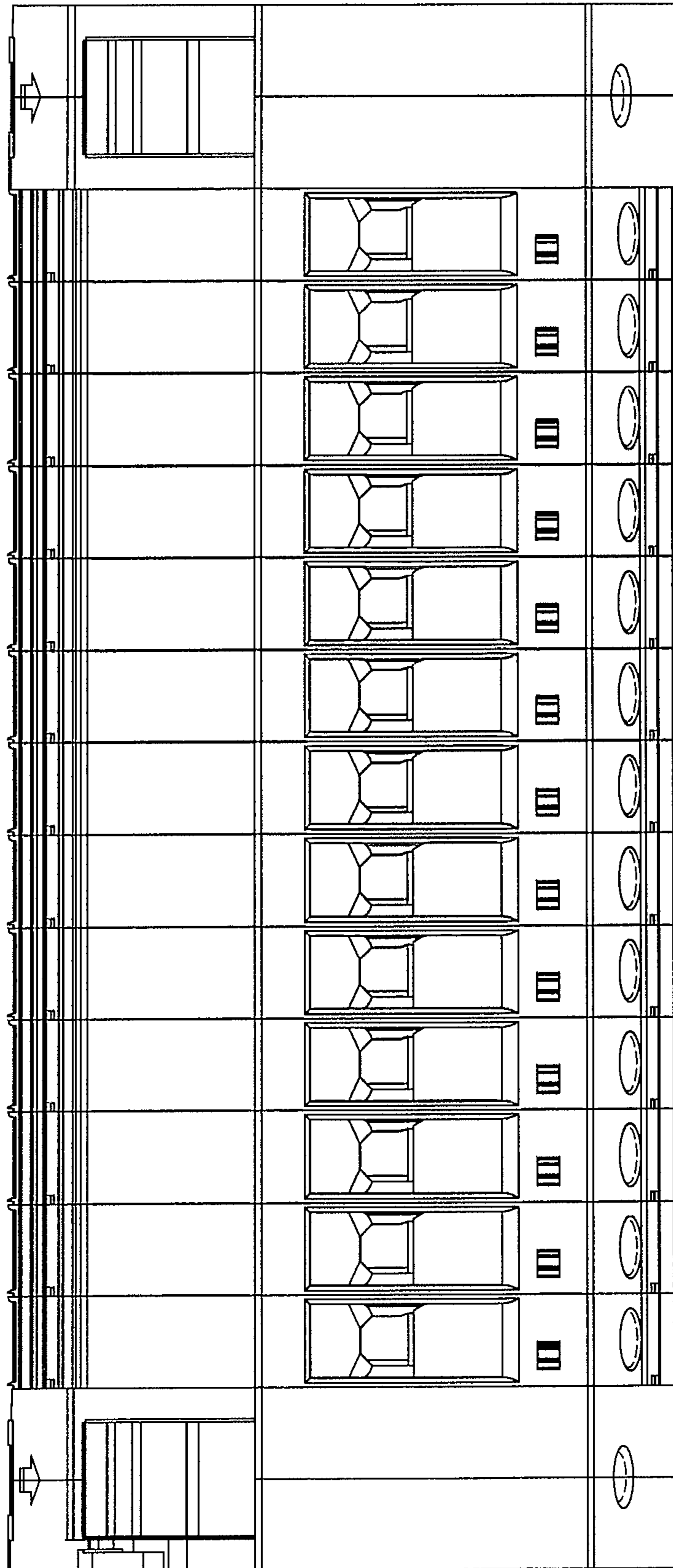


FIG. 19

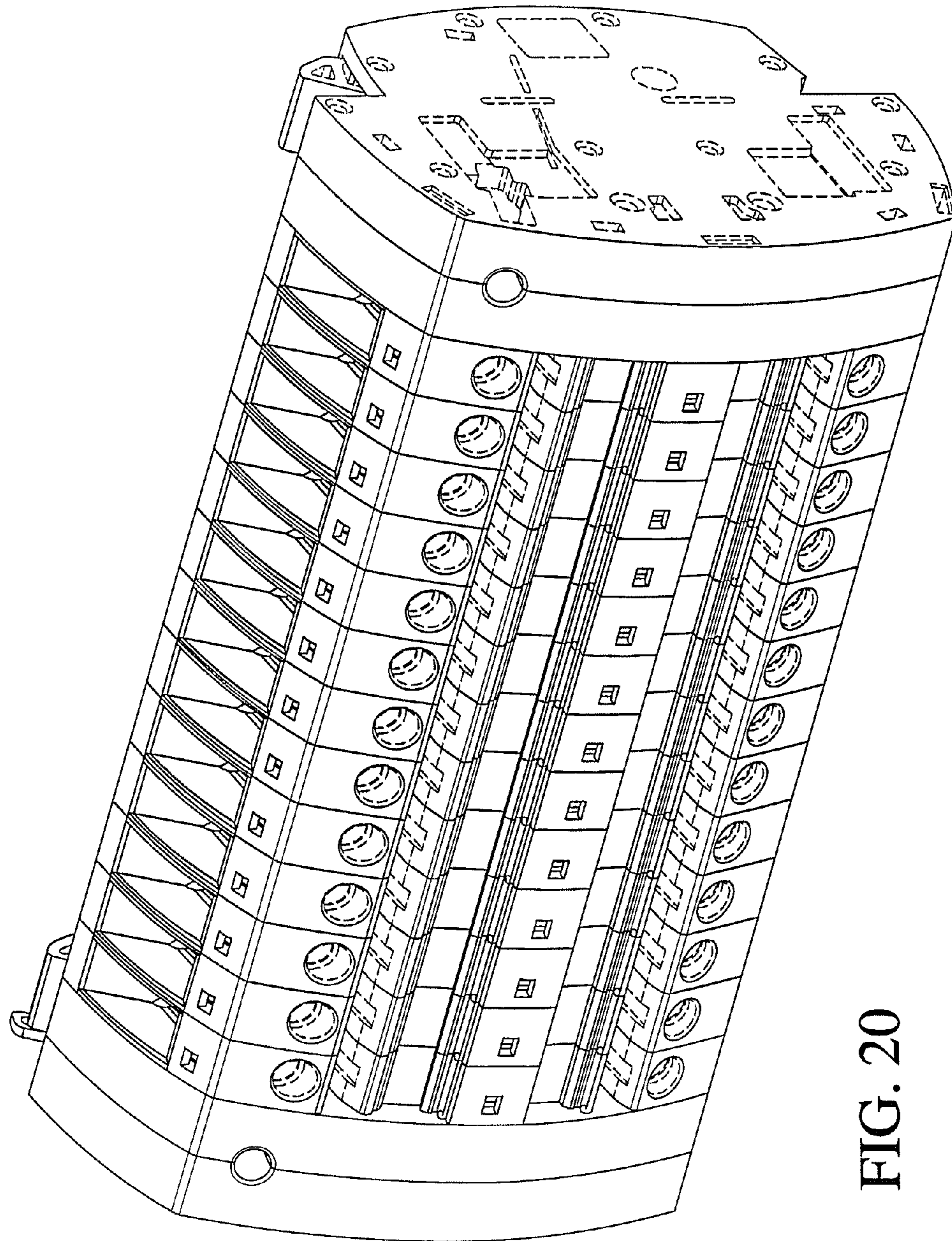


FIG. 20

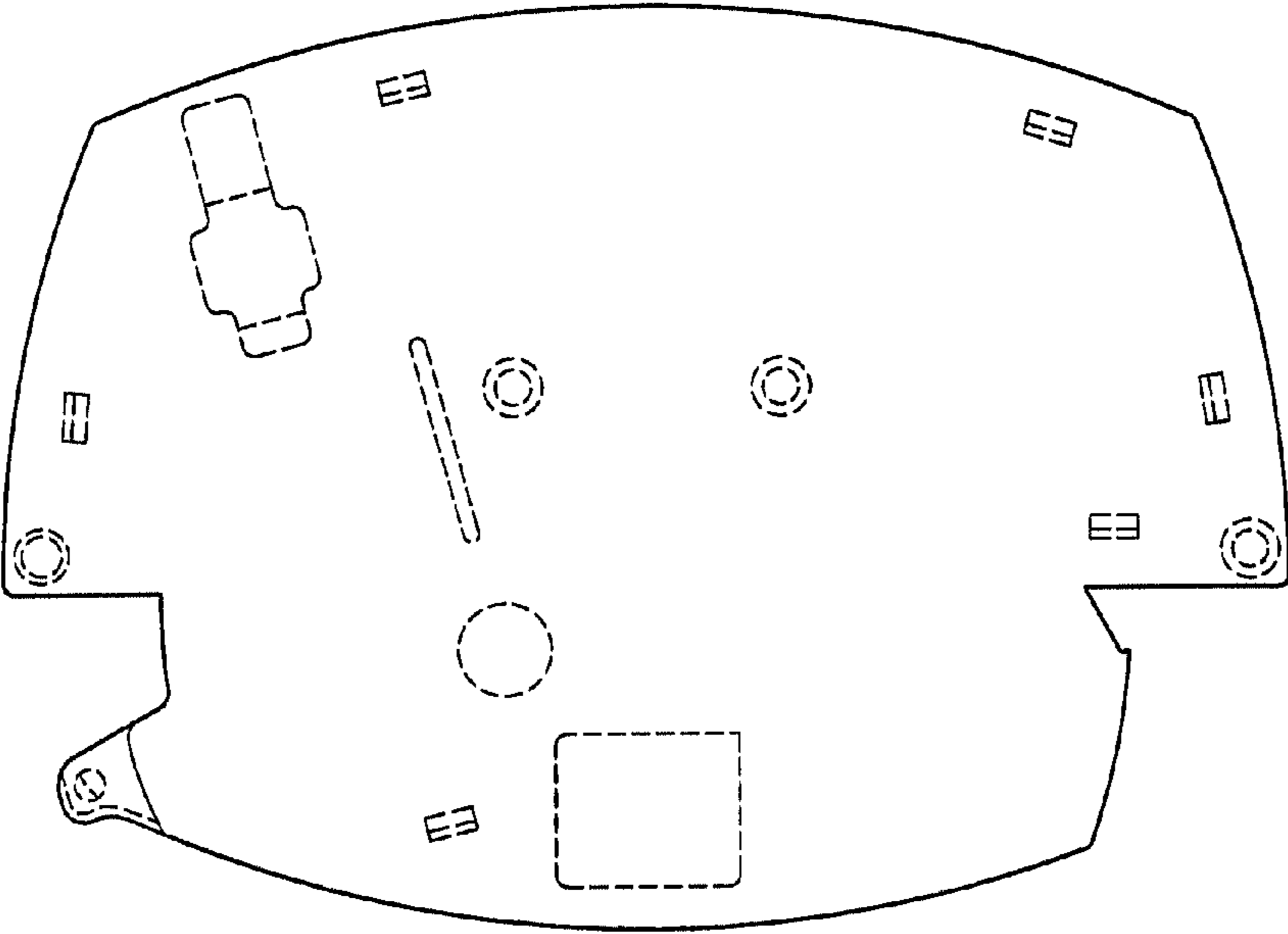


FIG. 21

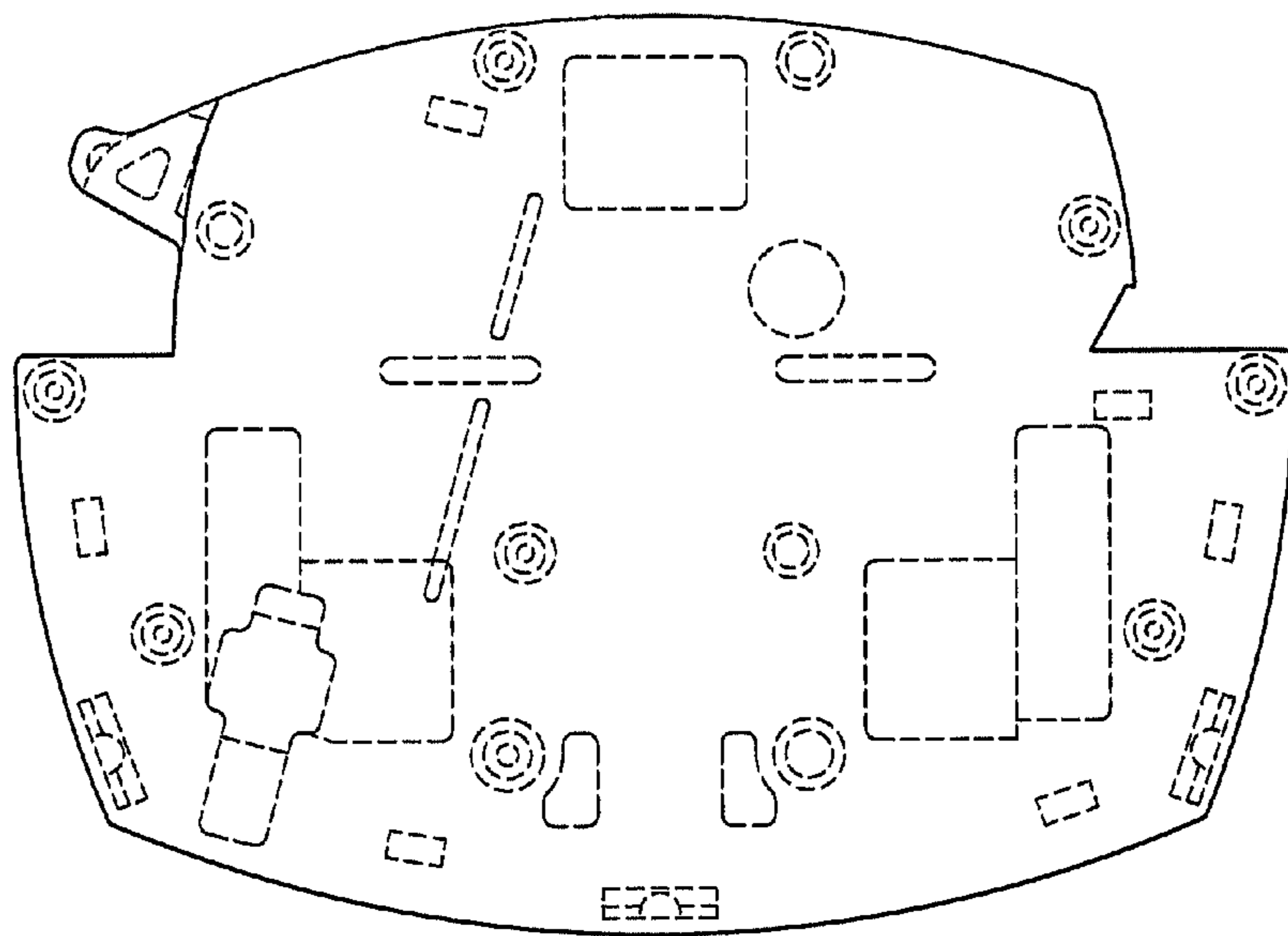


FIG. 22