



US00D717730S

(12) **United States Design Patent**  
**Munk-Hansen**

(10) **Patent No.:** **US D717,730 S**

(45) **Date of Patent:** **\*\* Nov. 18, 2014**

(54) **WIND TURBINE**

(71) Applicant: **Thorkil Munk-Hansen**, Give (DK)

(72) Inventor: **Thorkil Munk-Hansen**, Give (DK)

(73) Assignee: **Siemens Aktiengesellschaft**, Munich (DE)

(\*\*) Term: **14 Years**

(21) Appl. No.: **29/452,396**

(22) Filed: **Apr. 16, 2013**

(30) **Foreign Application Priority Data**

Oct. 18, 2012 (EM) ..... 001347686

(51) **LOC (10) Cl.** ..... **13-01**

(52) **U.S. Cl.**  
USPC ..... **D13/115**

(58) **Field of Classification Search**  
USPC ..... D13/115, 101, 118, 199; D15/1, 199;  
290/43, 44; 415/4.1, 4.3, 4.5, 56.3,  
415/122.1; 416/9, 12, 23, 24, 32, 37, 38,  
416/44, 115, 117, 132 B, 132 R, 142, 169,  
416/196 A, 197 A, 223 R, 229 A, 229 R, 243  
See application file for complete search history.

(56) **References Cited**

**U.S. PATENT DOCUMENTS**

D271,303 S \* 11/1983 Ovelmen ..... D15/1  
4,498,017 A \* 2/1985 Parkins ..... 290/44  
5,354,175 A \* 10/1994 Coleman et al. .... 416/9  
D517,986 S \* 3/2006 Wobben ..... D13/115  
7,179,056 B2 \* 2/2007 Siegfriedsen ..... 416/170 R

D584,686 S \* 1/2009 Gudewer ..... D13/115  
D637,954 S \* 5/2011 Munk-Hansen et al. .... D13/115  
D640,630 S \* 6/2011 Schutz ..... D13/115

\* cited by examiner

*Primary Examiner* — Derrick Holland

(57) **CLAIM**

I claim the ornamental design for a wind turbine, as shown and described.

**DESCRIPTION**

FIG. 1 is a front view of a wind turbine showing my new design;  
FIG. 2 is a rear view thereof;  
FIG. 3 is a top plan view thereof;  
FIG. 4 is a bottom plan view thereof;  
FIG. 5 is a left side view thereof;  
FIG. 6 is a right side view thereof;  
FIG. 7 is a perspective view thereof;  
FIG. 8 is an enlarged front view thereof, with the vanes and pole shown broken away for ease of illustration;  
FIG. 9 is an enlarged rear view thereof, with the vanes and pole shown broken away for ease of illustration;  
FIG. 10 is an enlarged top plan view thereof, with the vanes shown broken away for ease of illustration;  
FIG. 11 is an enlarged bottom plan view thereof, with the vanes shown broken away for ease of illustration;  
FIG. 12 is an enlarged left side view thereof, with the vanes and pole shown broken away for ease of illustration;  
FIG. 13 is an enlarged right side view thereof, with the vanes and pole shown broken away for ease of illustration; and,  
FIG. 14 is an enlarged perspective view thereof, with the vanes and pole shown broken away for ease of illustration.  
The broken lines shown represent unclaimed subject matter and form no part of the claimed design.

**1 Claim, 14 Drawing Sheets**

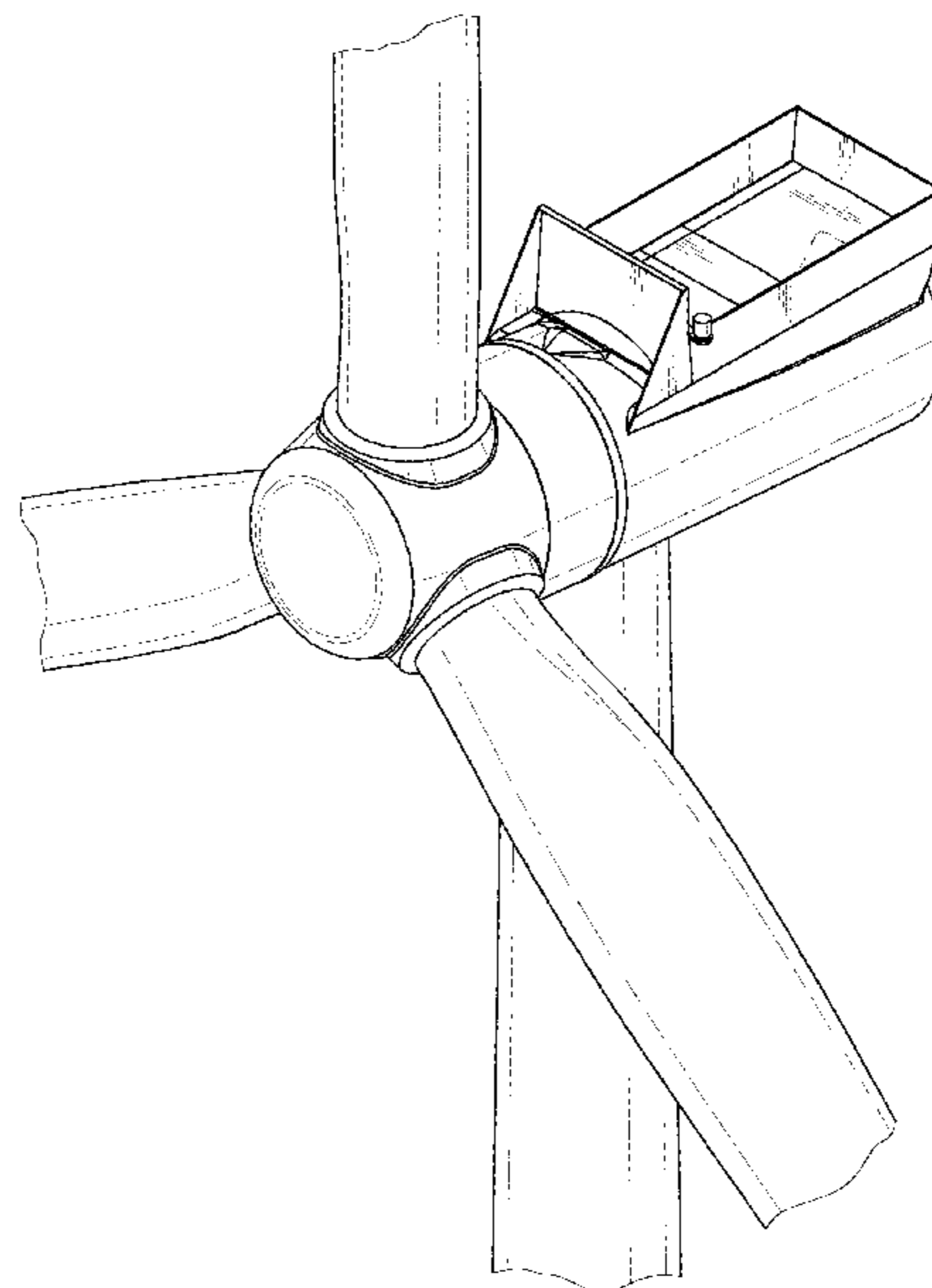
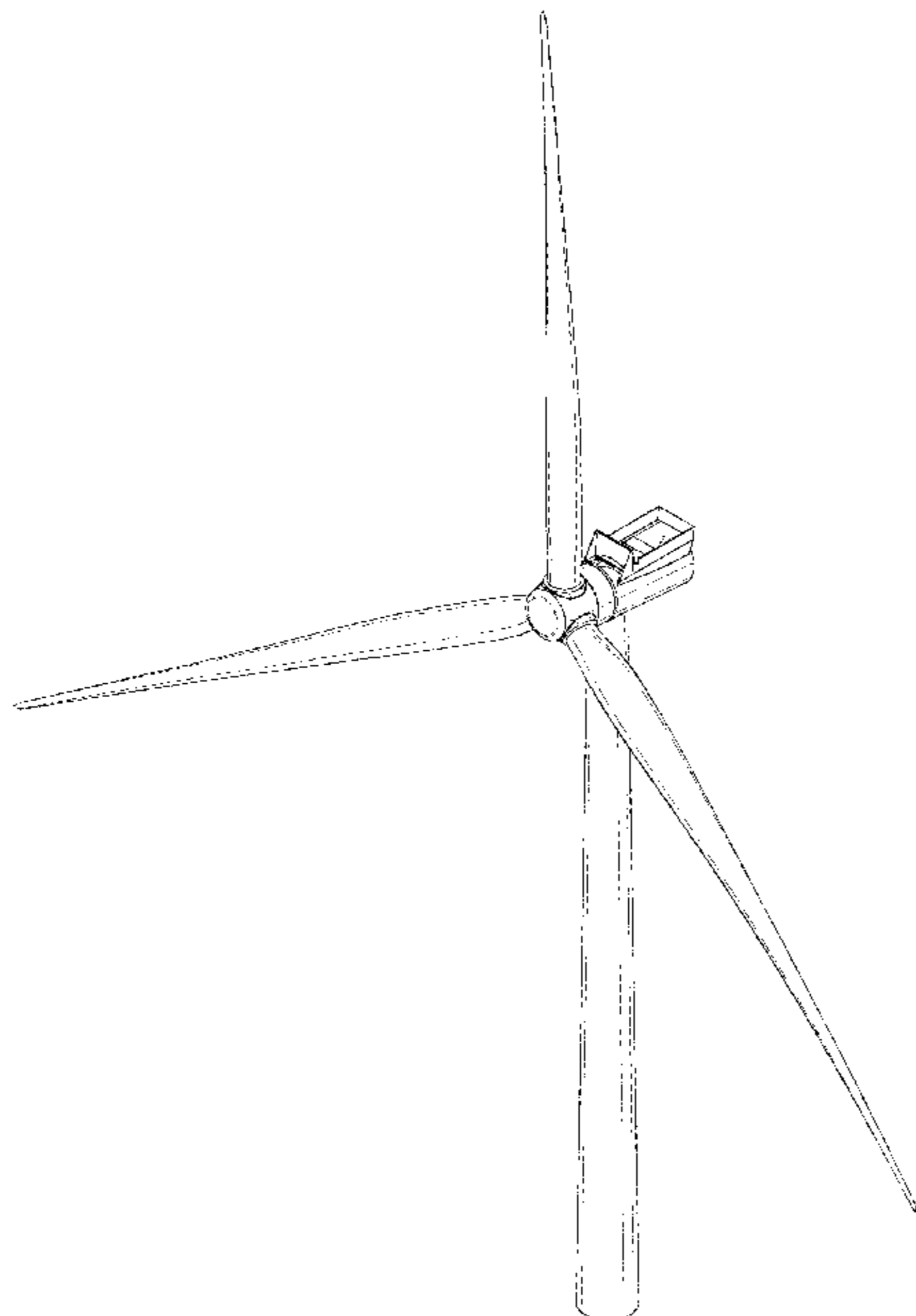


FIG 1

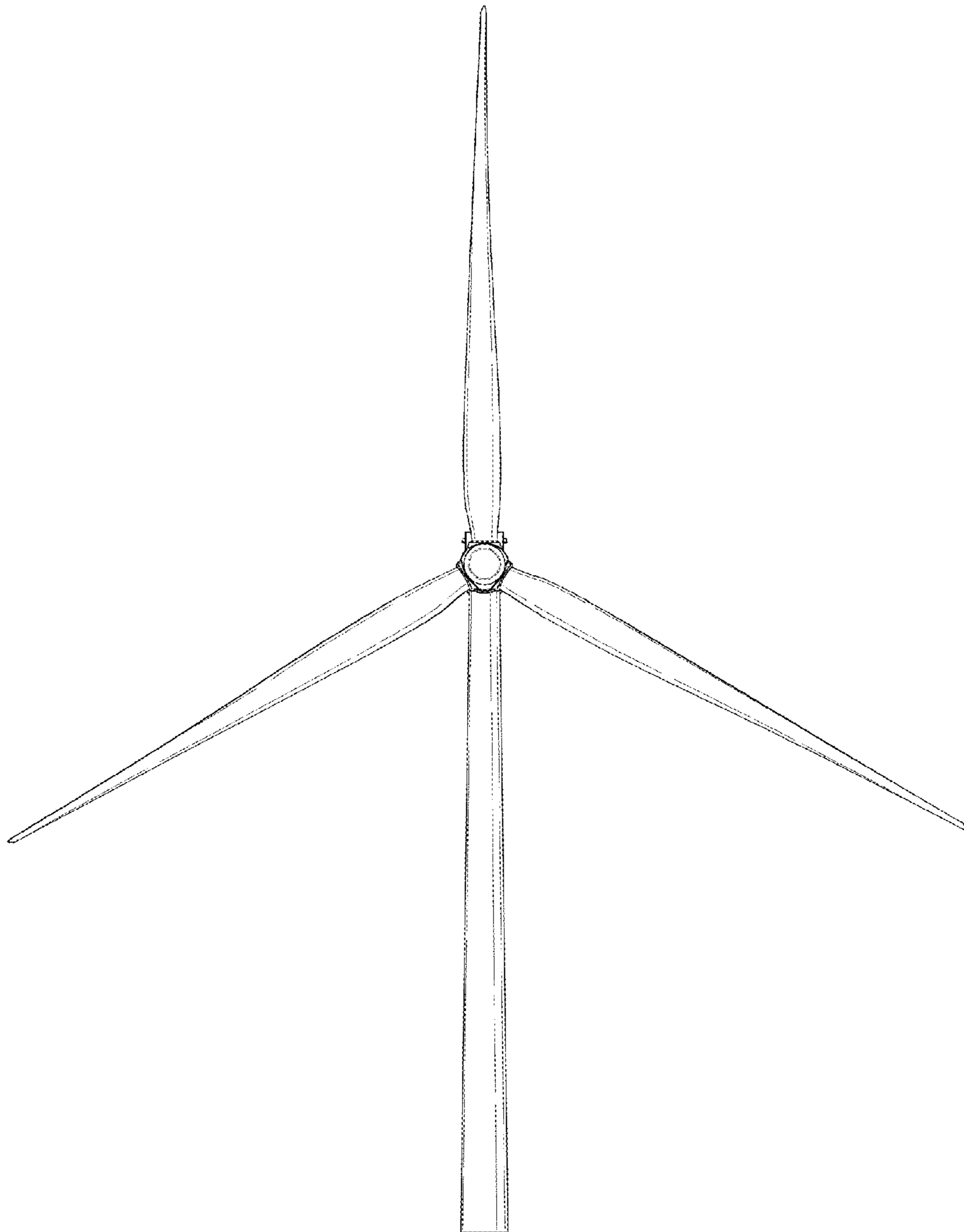


FIG 2

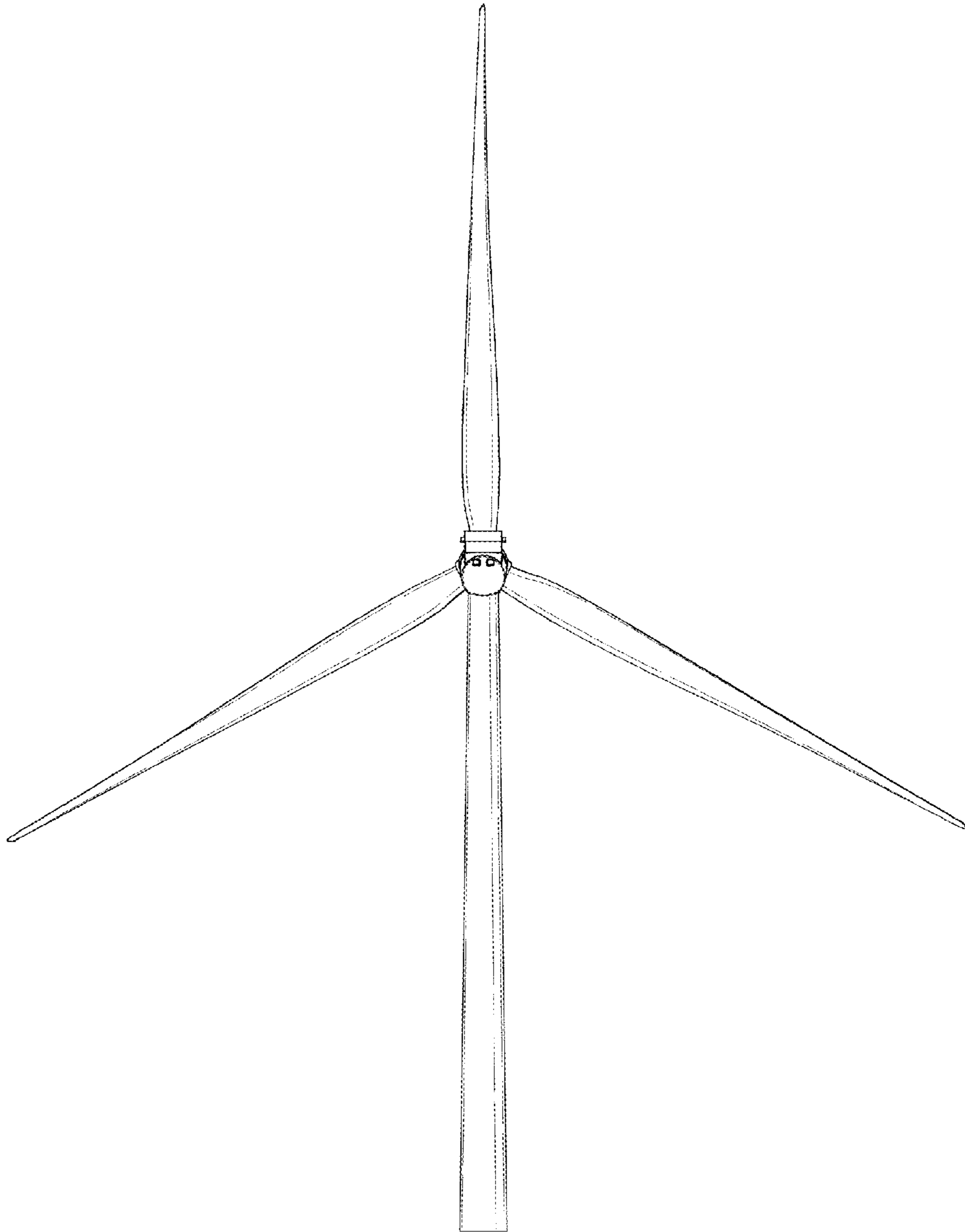


FIG 3

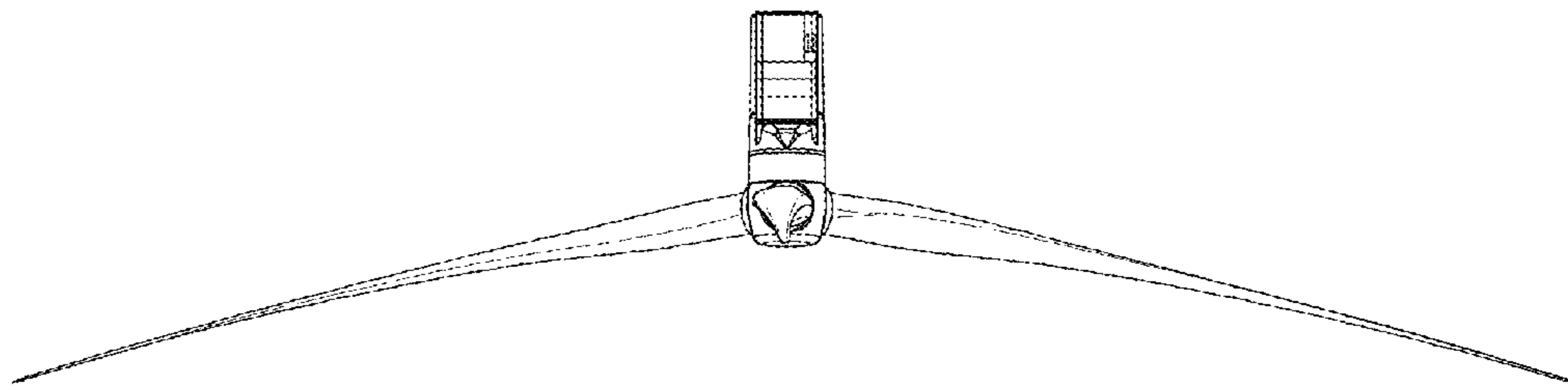


FIG 4

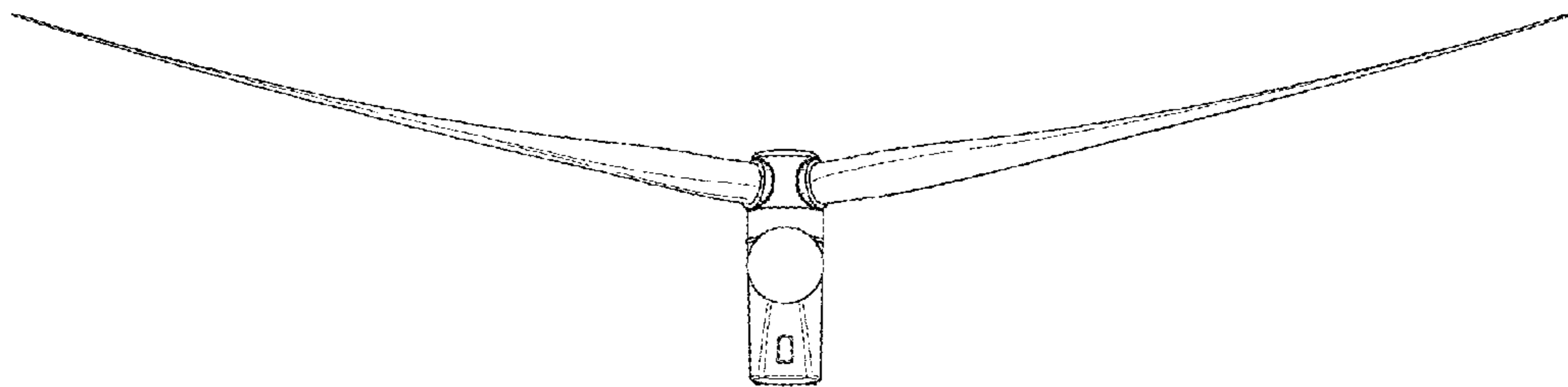


FIG 5

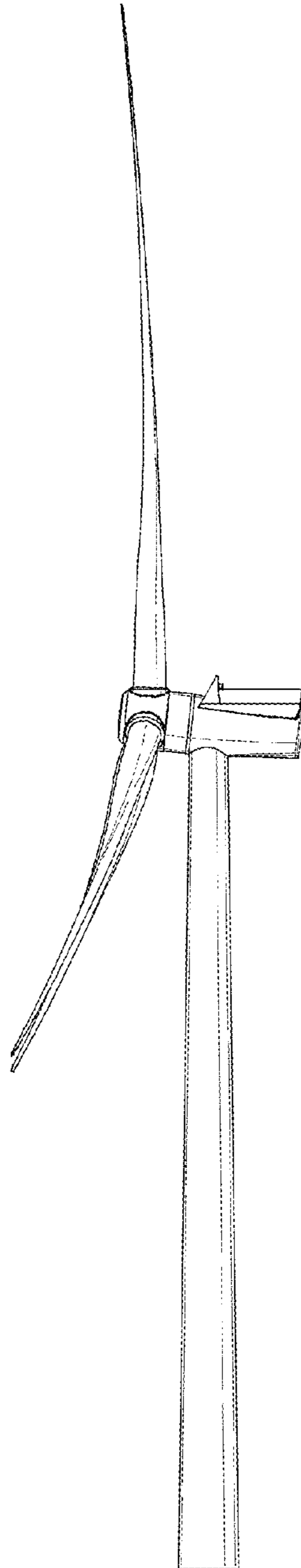


FIG 6

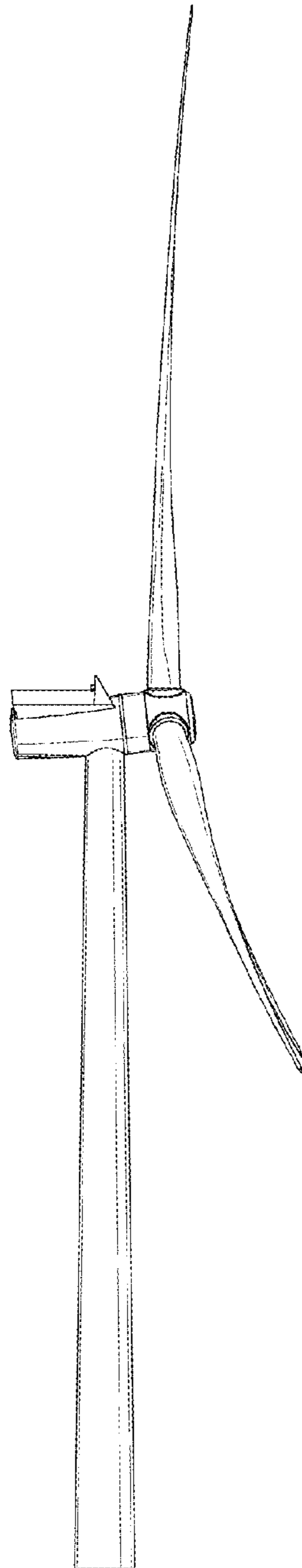


FIG 7

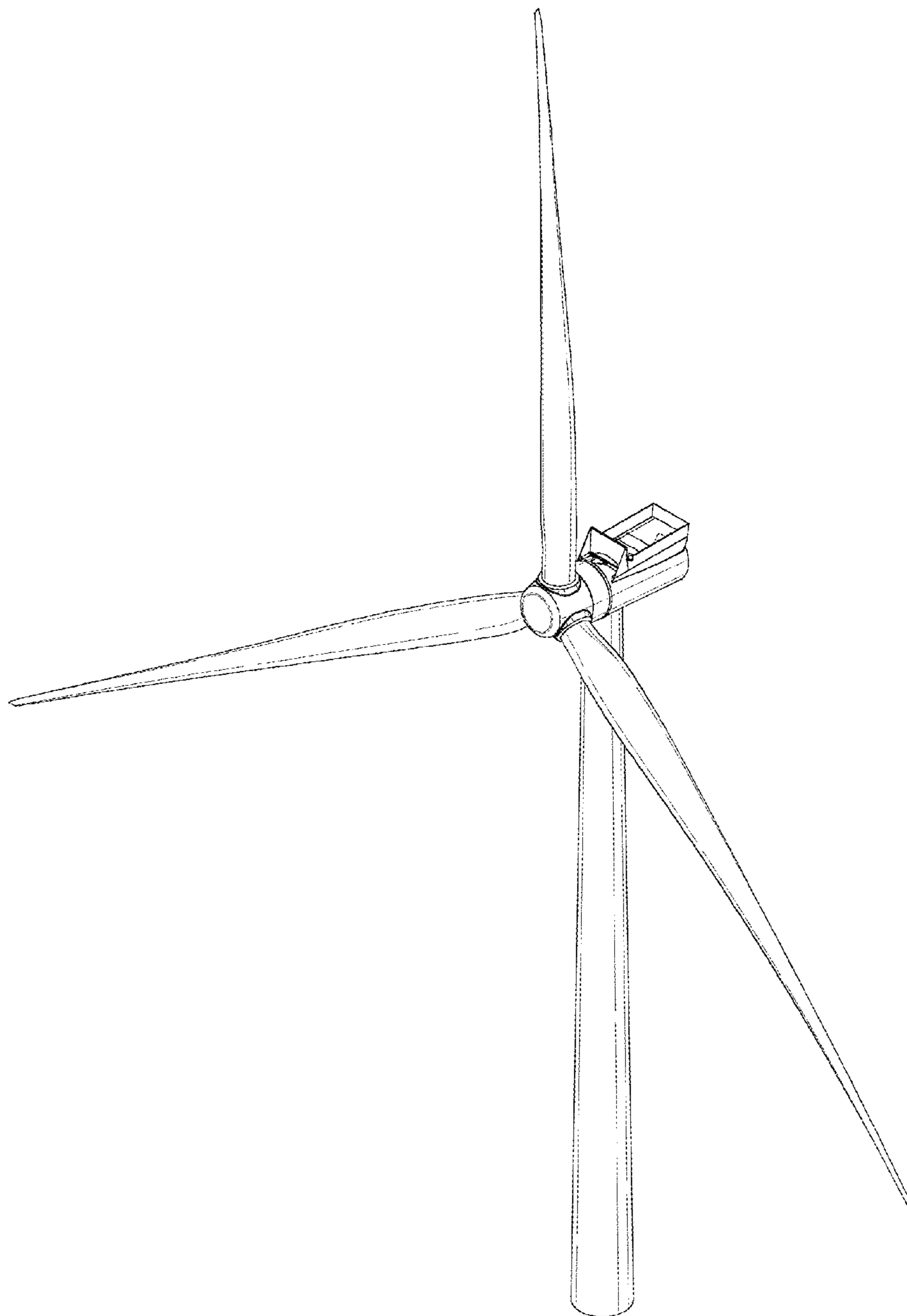




FIG 8

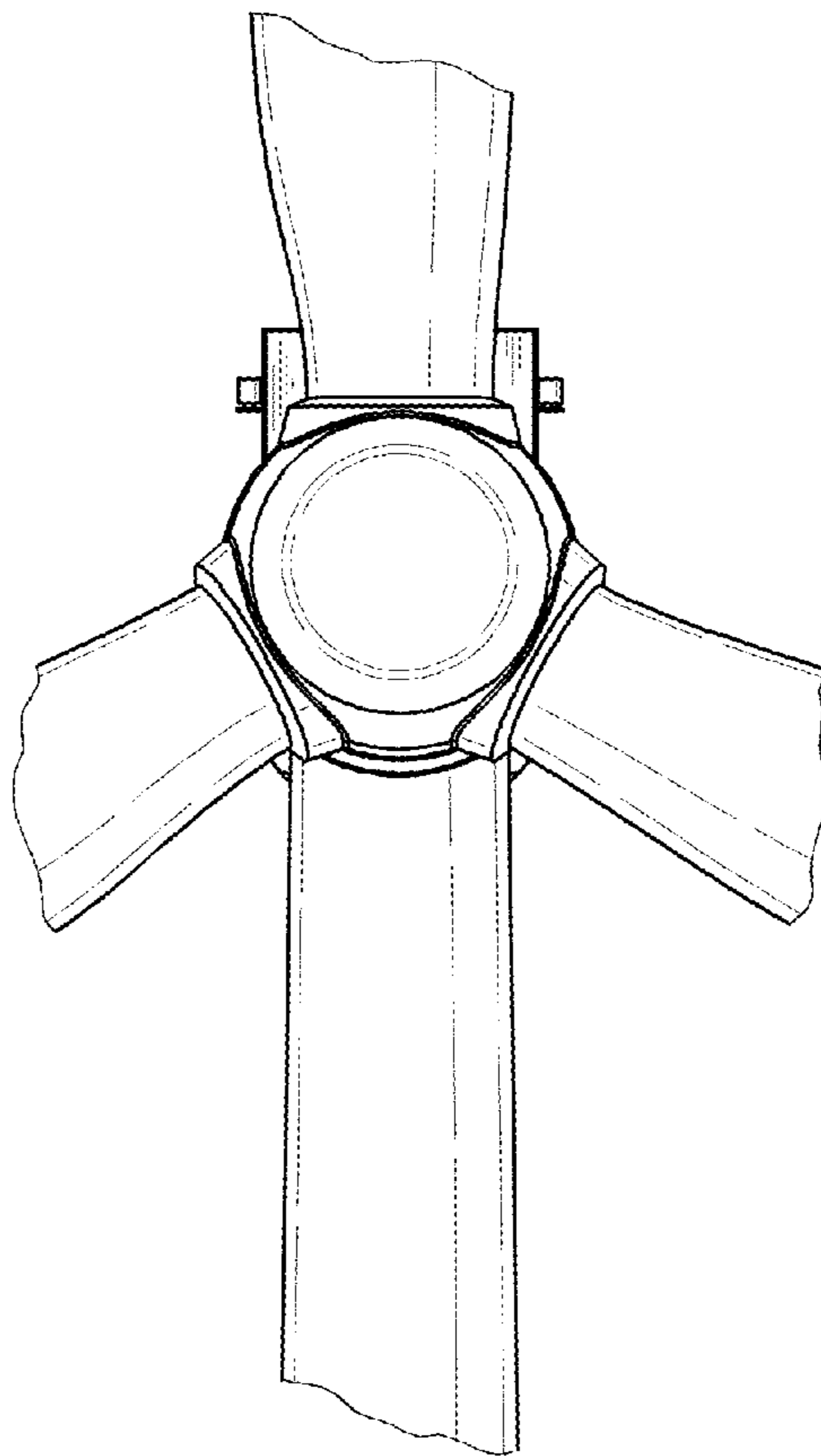


FIG 9

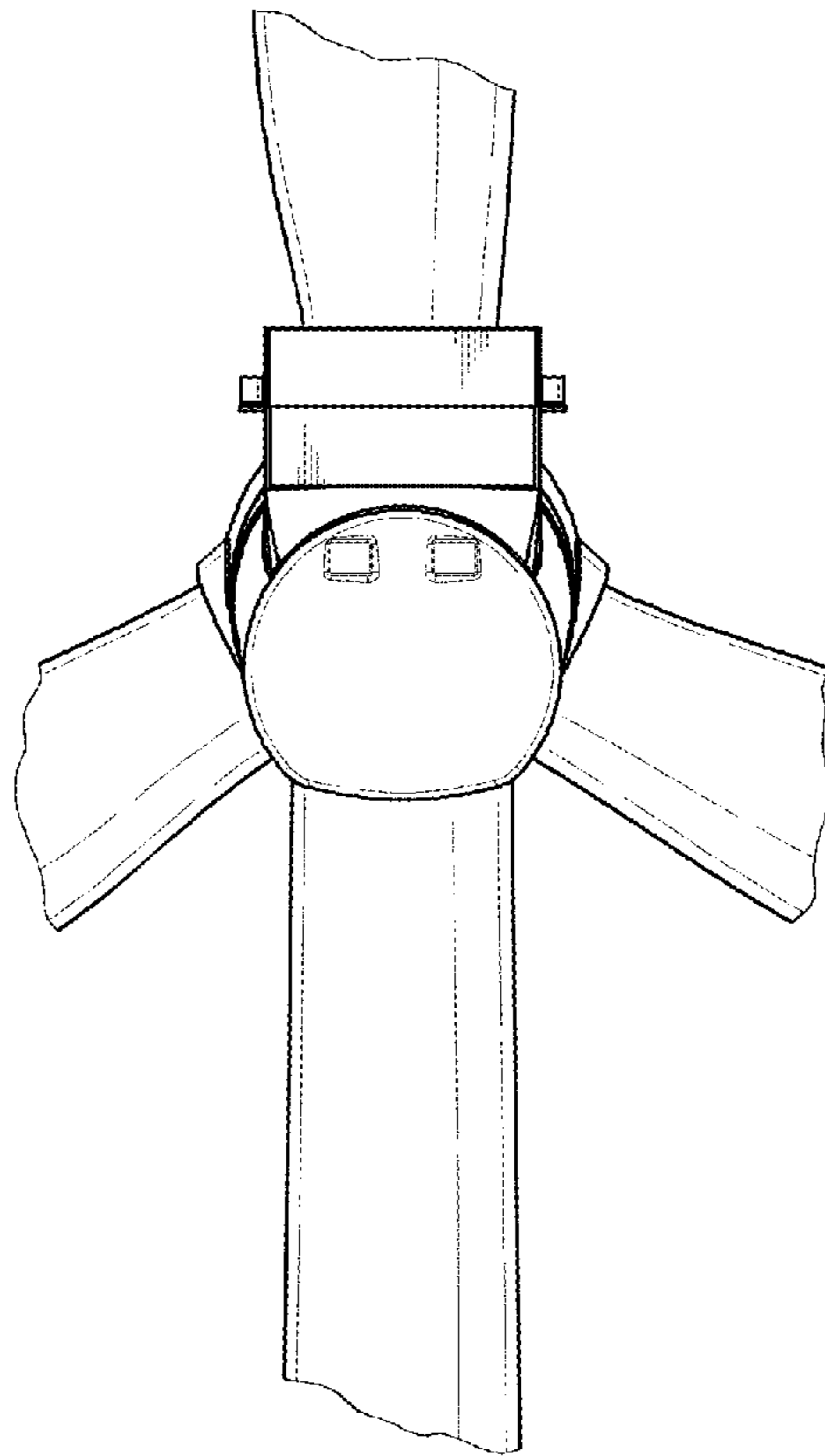


FIG 10

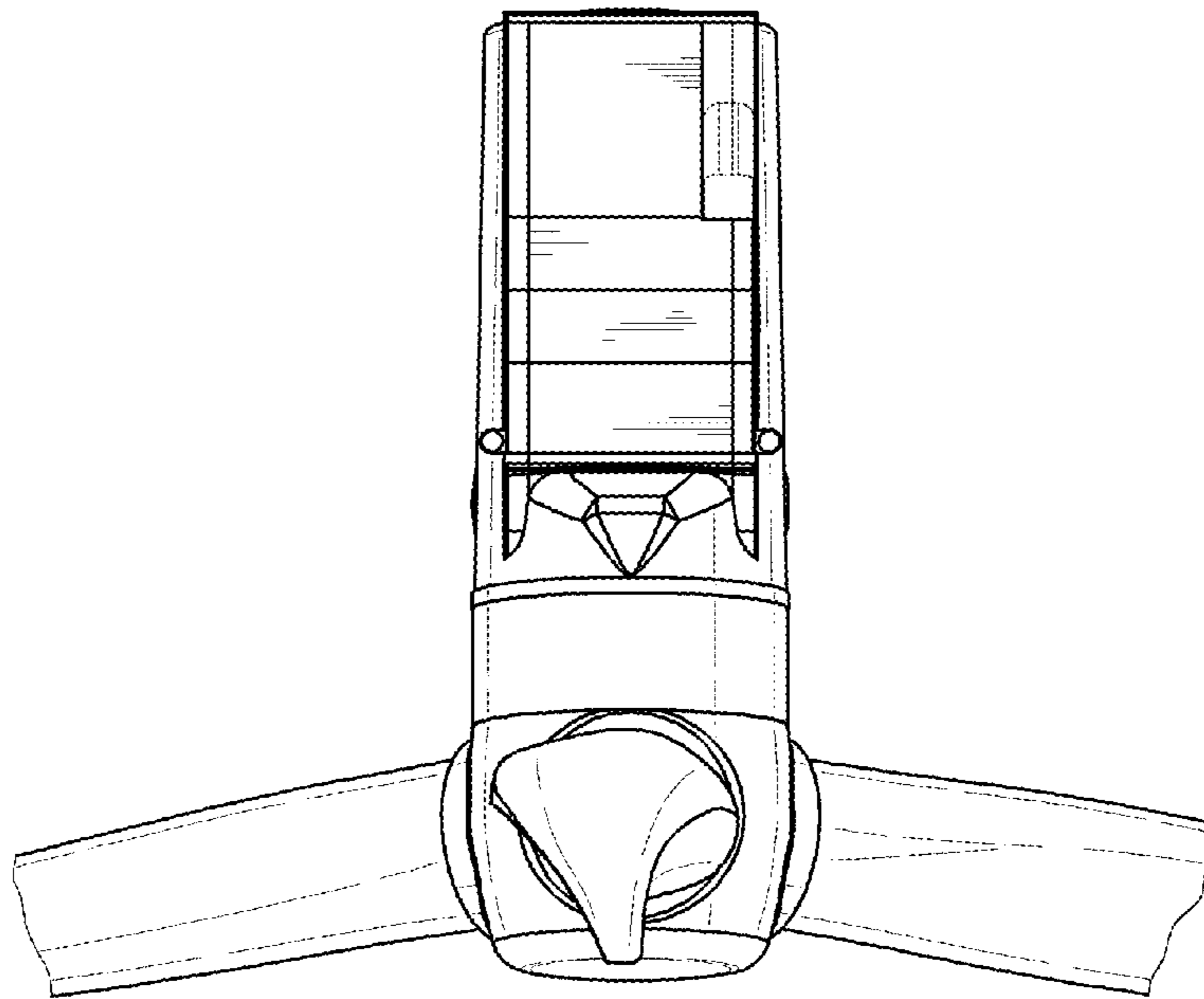


FIG 11

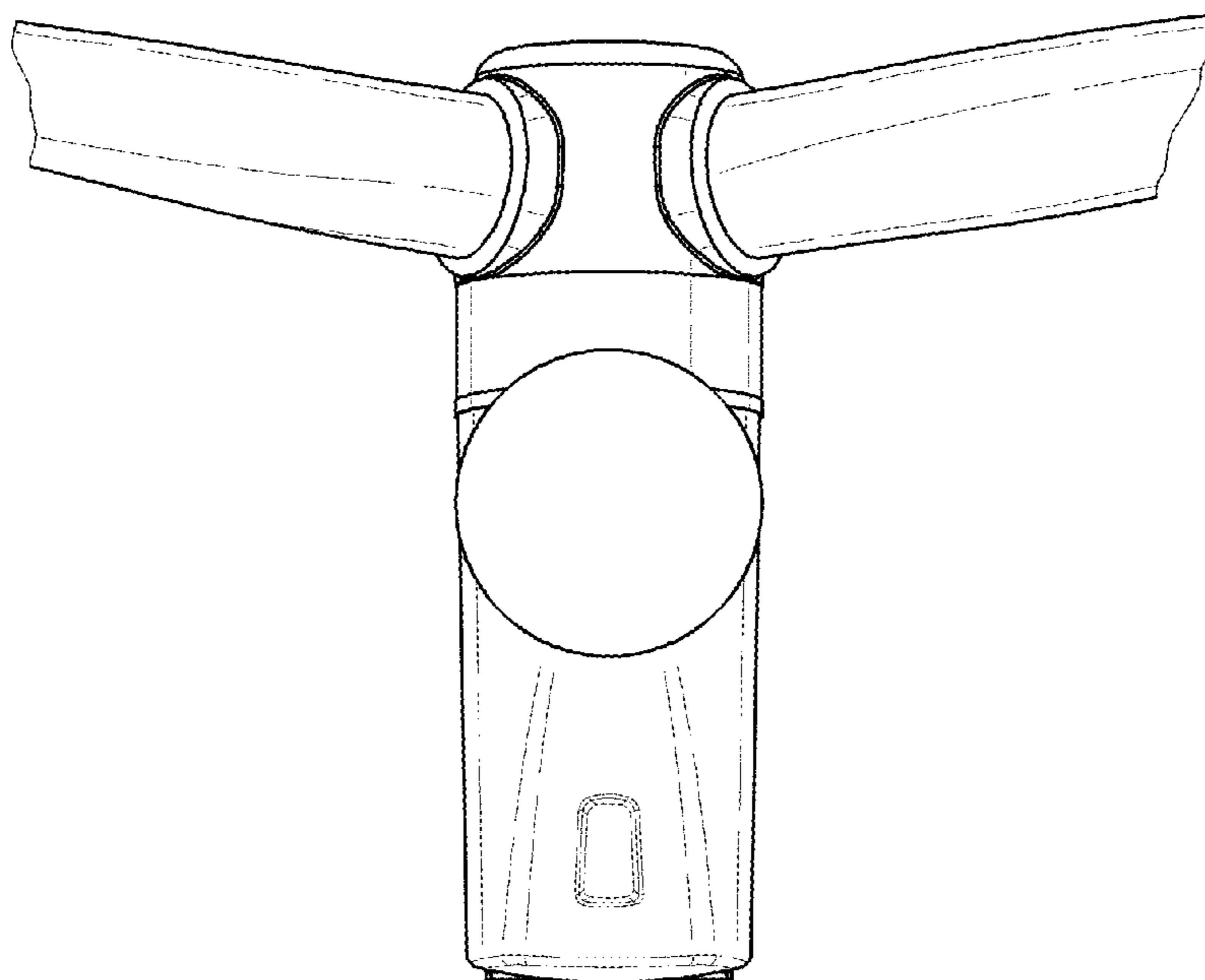


FIG 12

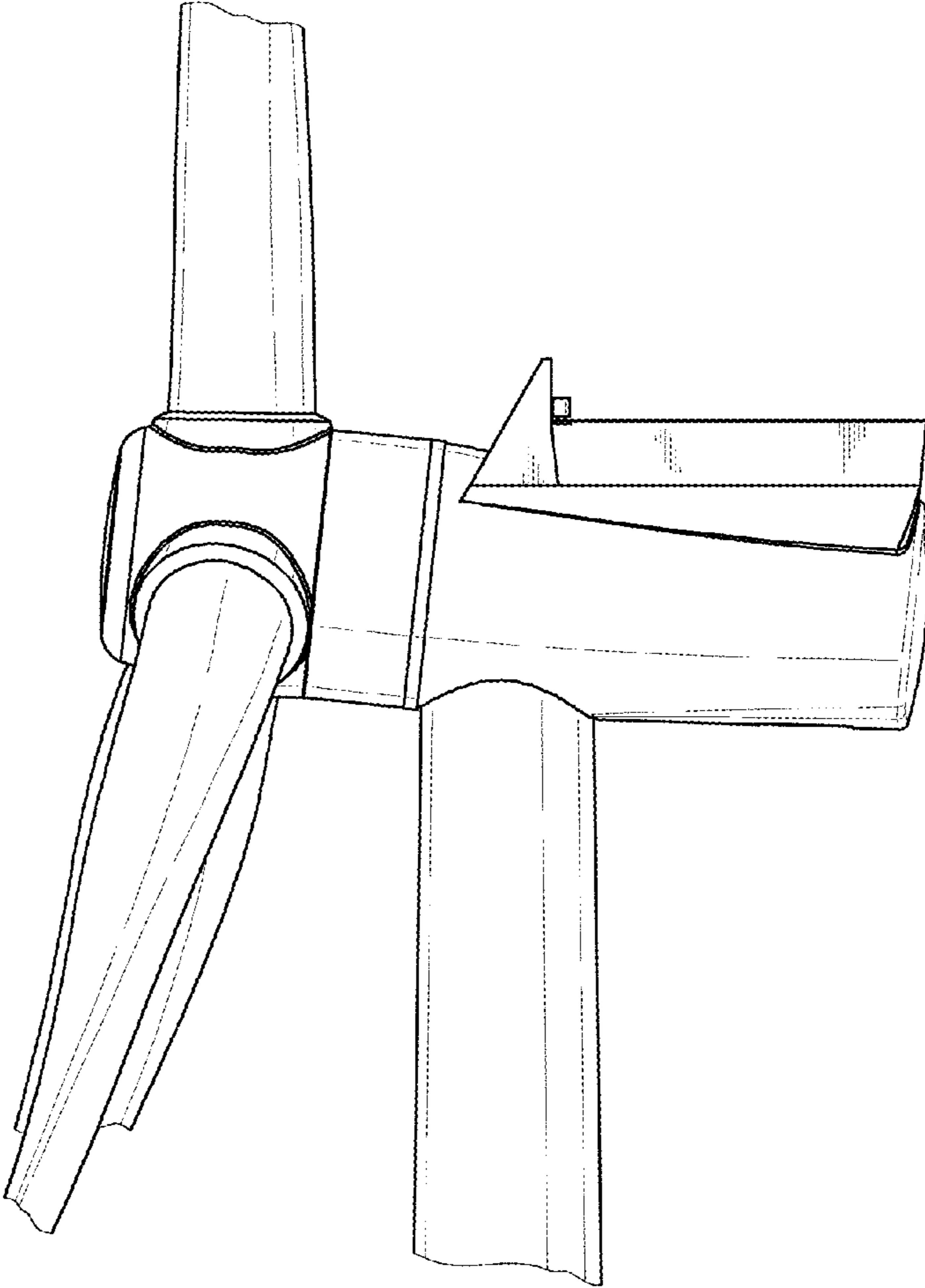


FIG 13

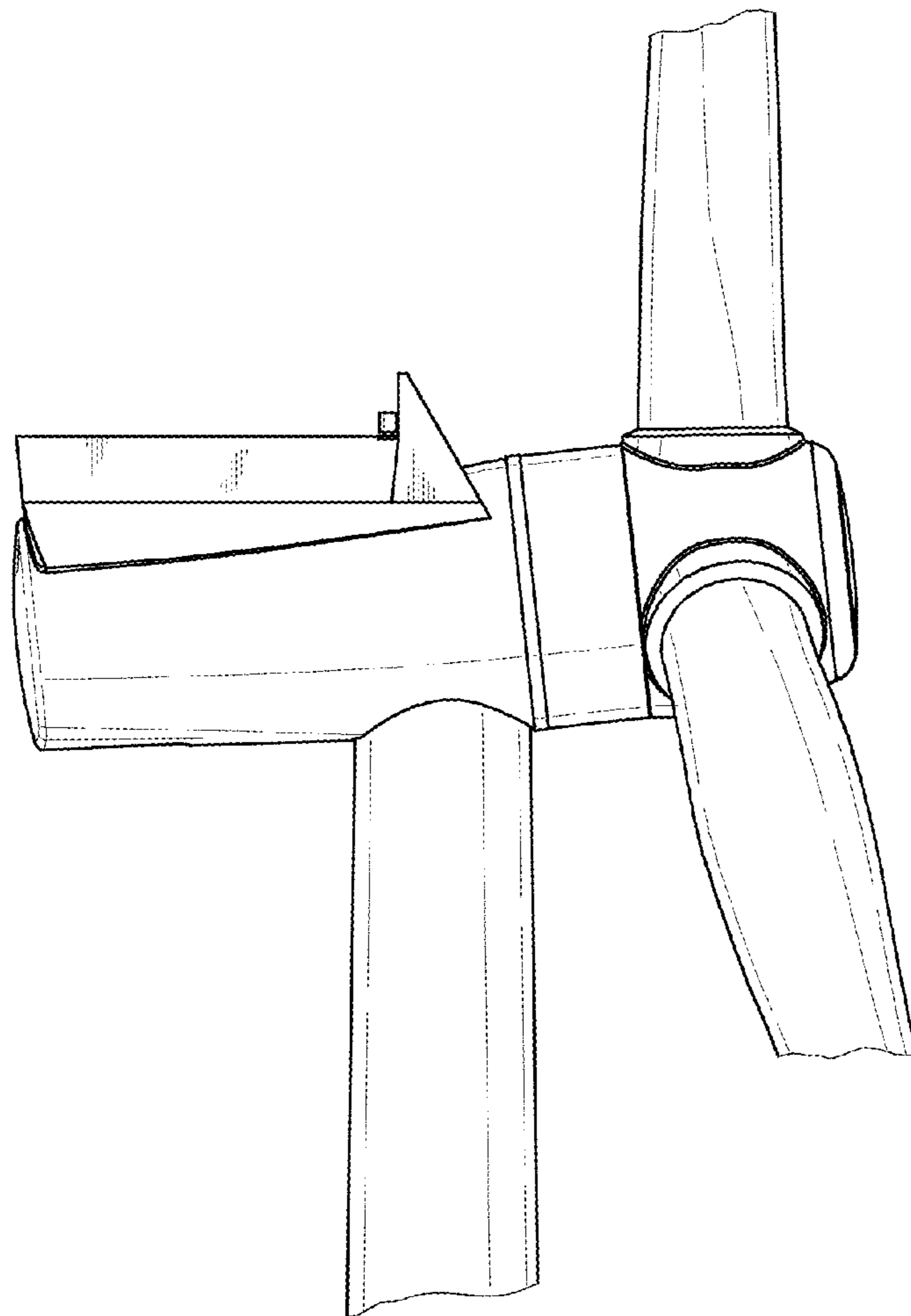


FIG 14

