

US00D717729S

(12) **United States Design Patent**  
**Munk-Hansen**

(10) **Patent No.:** **US D717,729 S**

(45) **Date of Patent:** **\*\* Nov. 18, 2014**

(54) **WIND TURBINE**

(71) Applicant: **Thorkil Munk-Hansen**, Give (DK)

(72) Inventor: **Thorkil Munk-Hansen**, Give (DK)

(73) Assignee: **Siemens Aktiengesellschaft**, Munich (DE)

(\*\*) Term: **14 Years**

(21) Appl. No.: **29/452,393**

(22) Filed: **Apr. 16, 2013**

(30) **Foreign Application Priority Data**

Oct. 18, 2012 (EM) ..... 001347694

(51) **LOC (10) Cl.** ..... **13-01**

(52) **U.S. Cl.**  
USPC ..... **D13/115**

(58) **Field of Classification Search**  
USPC ..... D13/115, 101, 118, 199; D15/1, 199;  
290/43, 44; 415/4.1, 4.3, 4.5, 56.3,  
415/122.1; 416/9, 12, 23, 24, 32, 37, 38,  
416/44, 115, 117, 132 B, 132 R, 142, 169,  
416/196 A, 197 A, 223 R, 229 A, 229 R, 243  
See application file for complete search history.

(56) **References Cited**

**U.S. PATENT DOCUMENTS**

D271,303 S \* 11/1983 Ovelmen ..... D15/1  
4,498,017 A \* 2/1985 Parkins ..... 290/44  
5,354,175 A \* 10/1994 Coleman et al. .... 416/9  
D517,986 S \* 3/2006 Wobben ..... D13/115

7,179,056 B2 \* 2/2007 Siegfriedsen ..... 416/170 R  
D584,686 S \* 1/2009 Gudewer ..... D13/115  
D637,954 S \* 5/2011 Munk-Hansen et al. .... D13/115  
D640,630 S \* 6/2011 Schutz ..... D13/115

\* cited by examiner

*Primary Examiner* — Derrick Holland

(57) **CLAIM**

I claim the ornamental design for a wind turbine, as shown and described.

**DESCRIPTION**

FIG. 1 is a front view of a wind turbine showing my new design;

FIG. 2 is a rear view thereof;

FIG. 3 is a top plan view thereof;

FIG. 4 is a bottom plan view thereof;

FIG. 5 is a left side view thereof;

FIG. 6 is a right side view thereof;

FIG. 7 is a perspective view thereof;

FIG. 8 is an enlarged front view thereof, with the vanes and pole shown broken away for ease of illustration;

FIG. 9 is an enlarged rear view thereof, with the vanes and pole shown broken away for ease of illustration;

FIG. 10 is an enlarged top plan view thereof, with the vanes shown broken away for ease of illustration;

FIG. 11 is an enlarged bottom plan view thereof, with the vanes shown broken away for ease of illustration;

FIG. 12 is an enlarged left side view, thereof, with the vanes and pole shown broken away for ease of illustration;

FIG. 13 is an enlarged right side thereof, with the vanes and pole shown broken away for ease of illustration; and,

FIG. 14 is an enlarged perspective view thereof, with the vanes and pole shown broken away for ease of illustration.

**1 Claim, 14 Drawing Sheets**

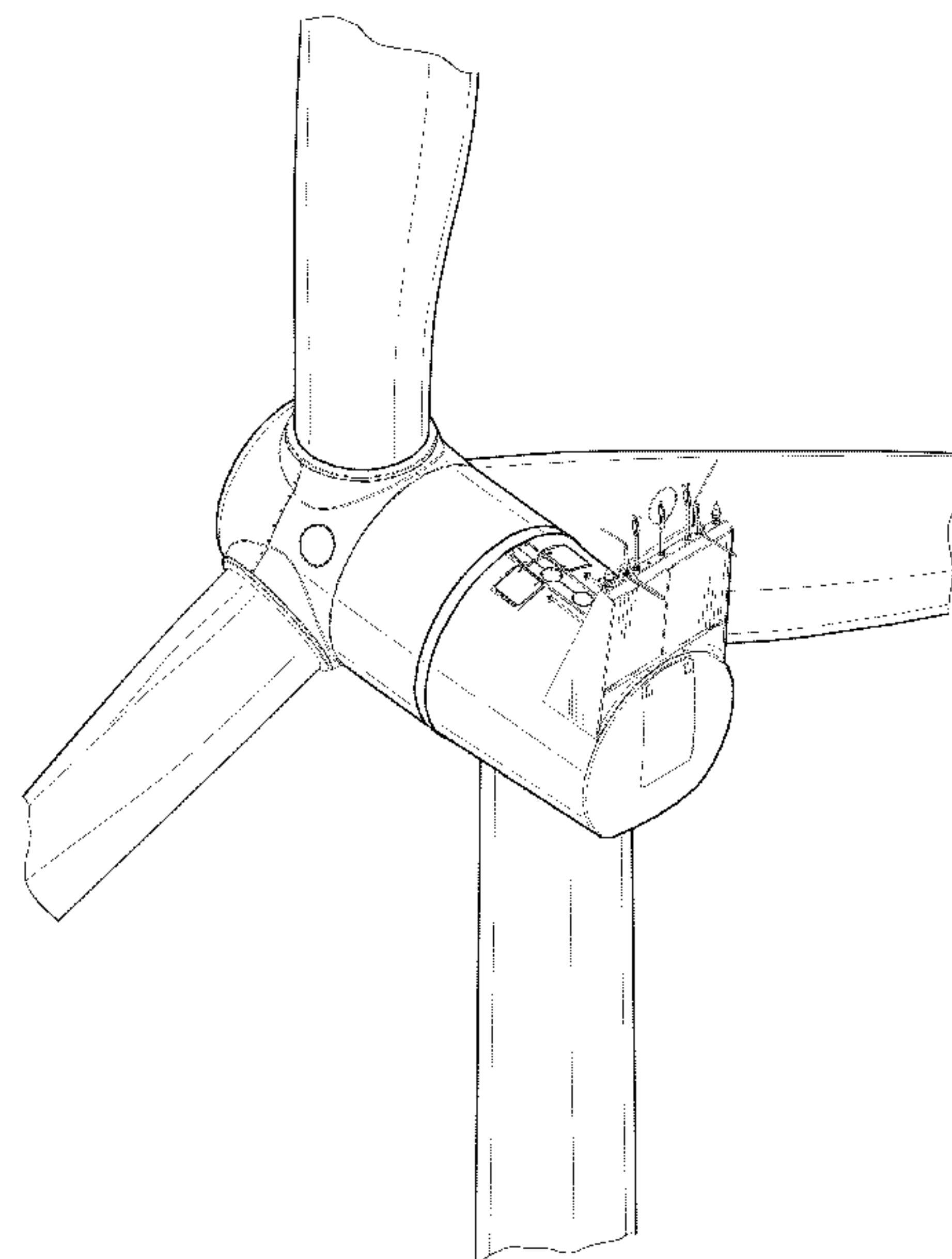
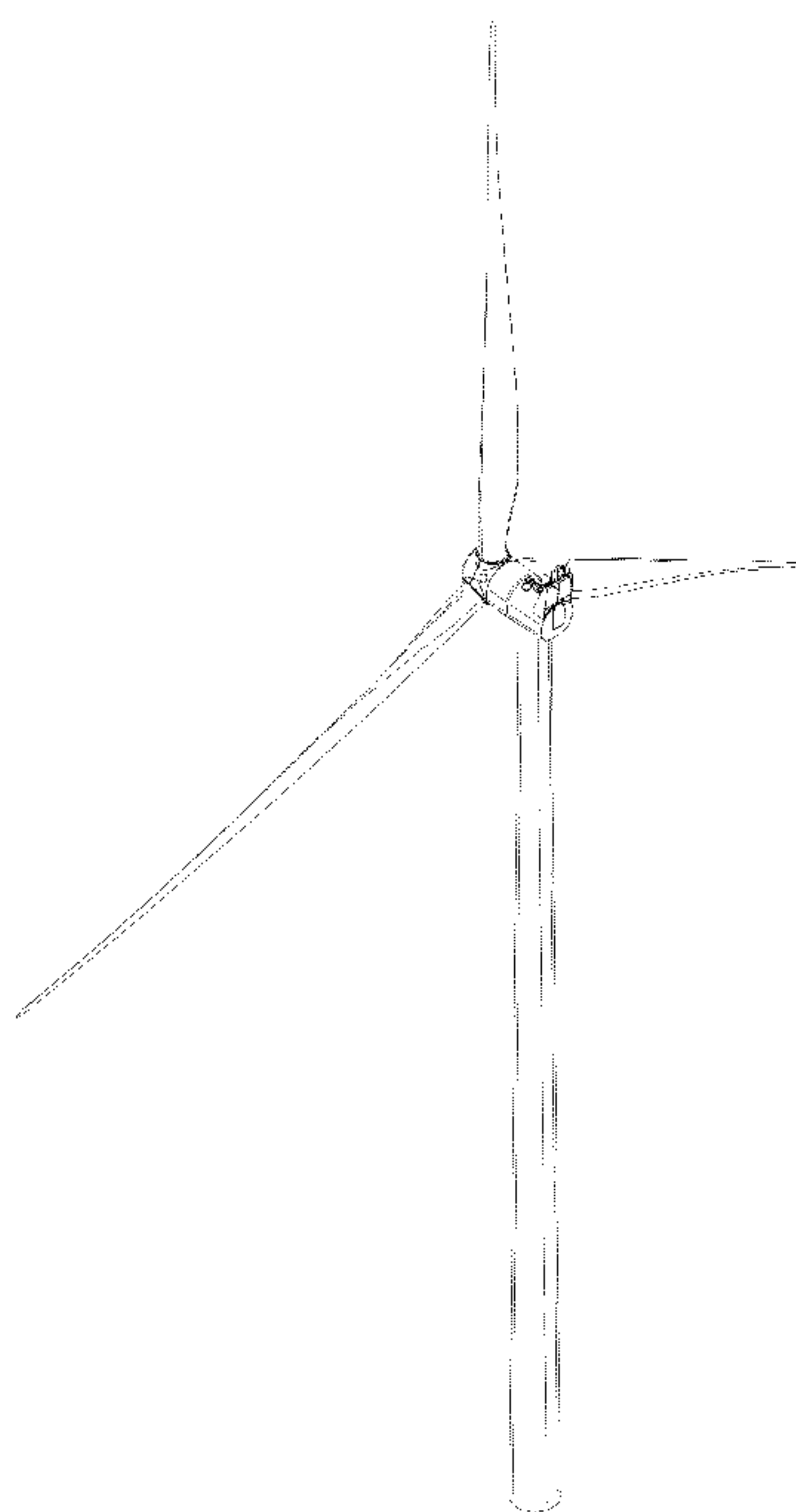


FIG 1

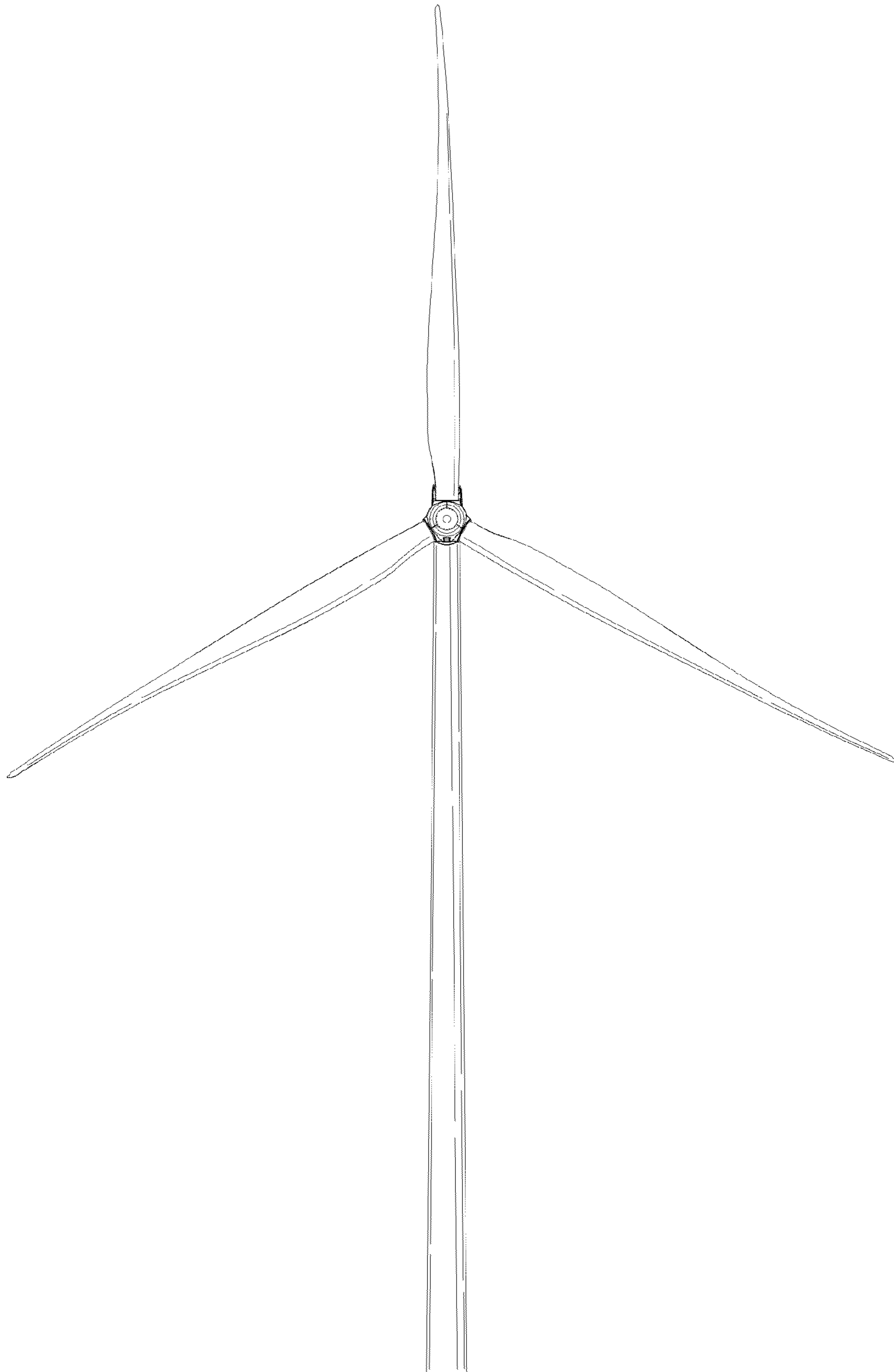


FIG 2

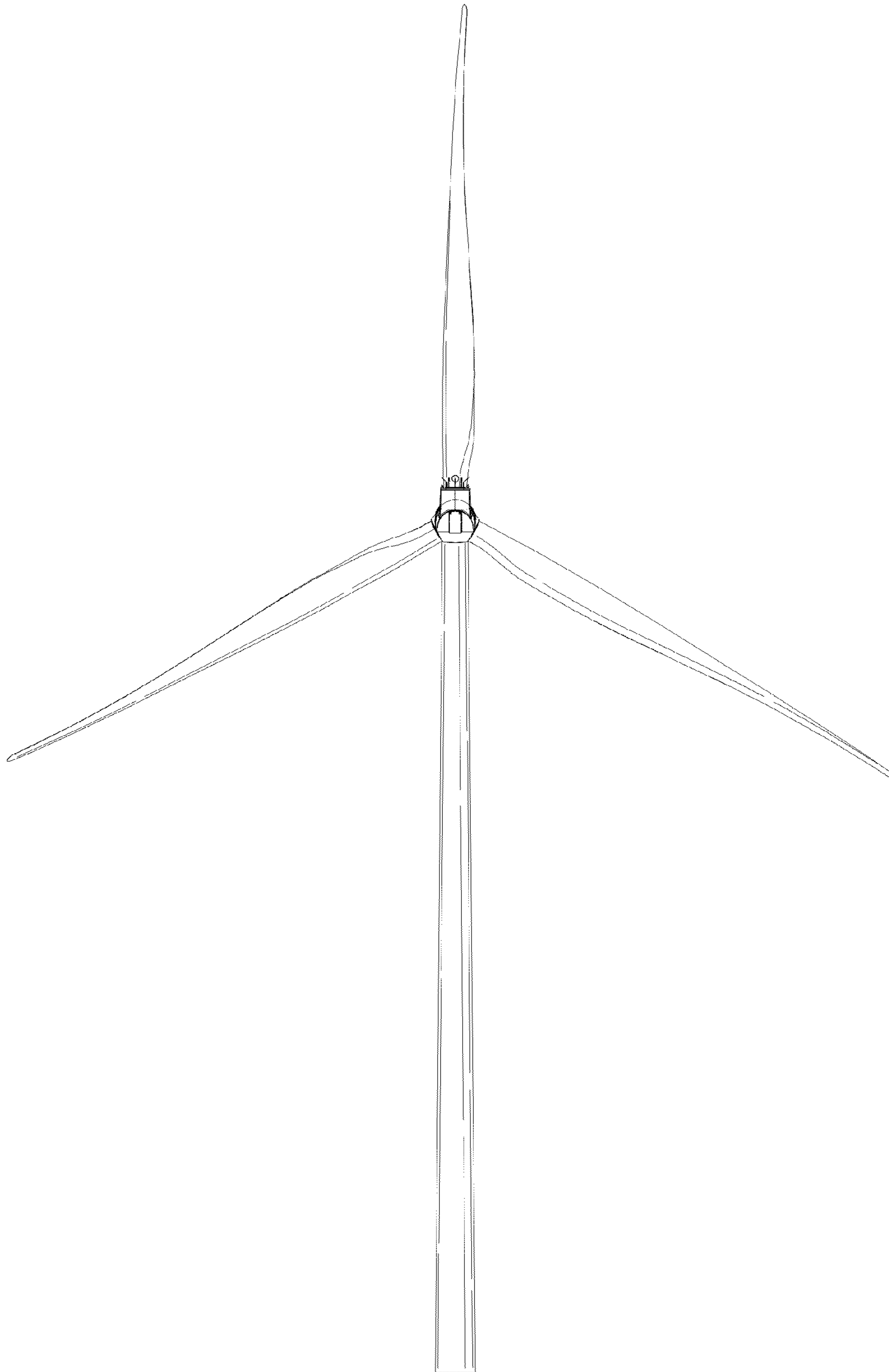


FIG 3

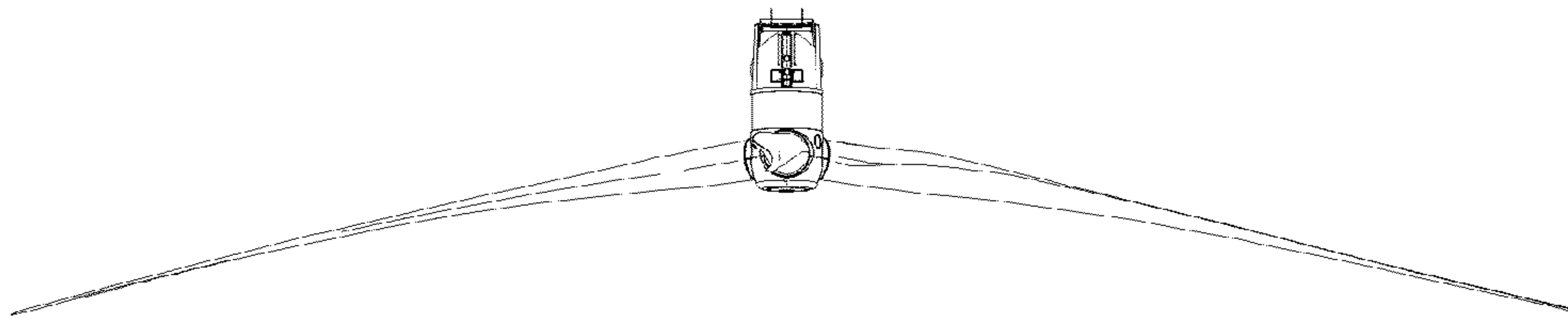


FIG 4

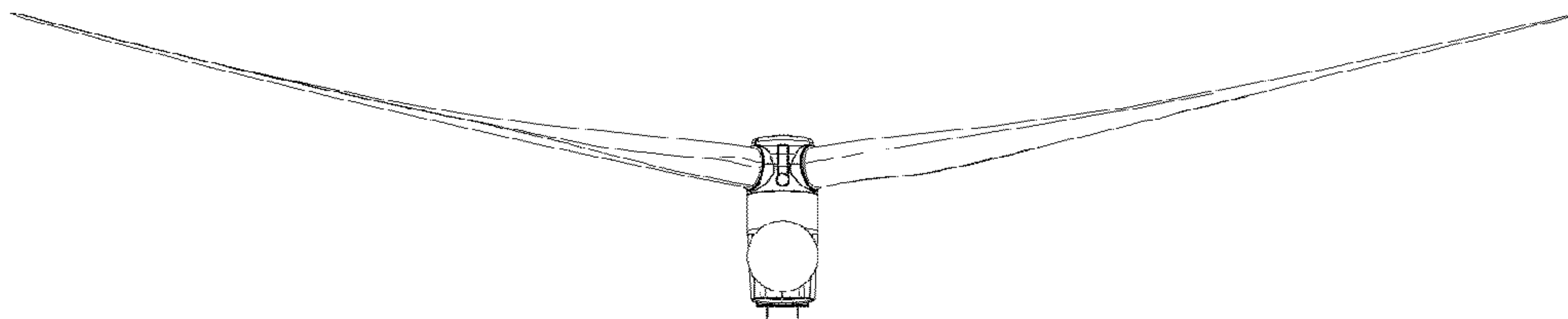


FIG 5

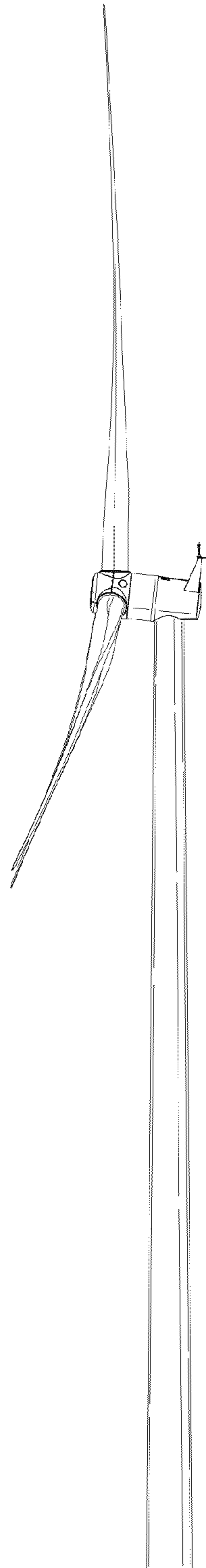


FIG 6

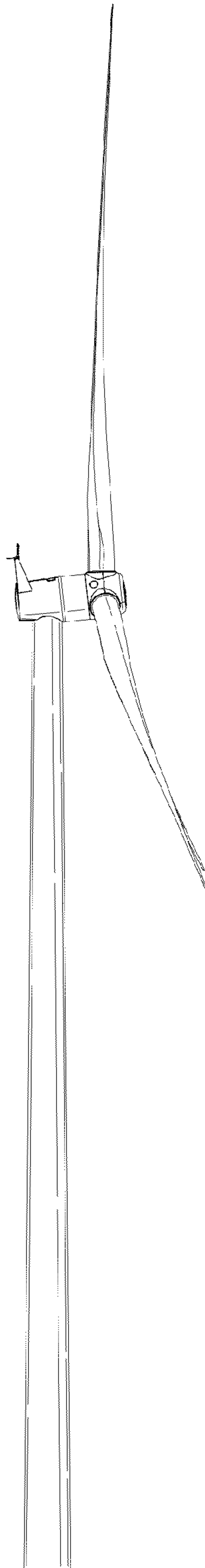


FIG 7

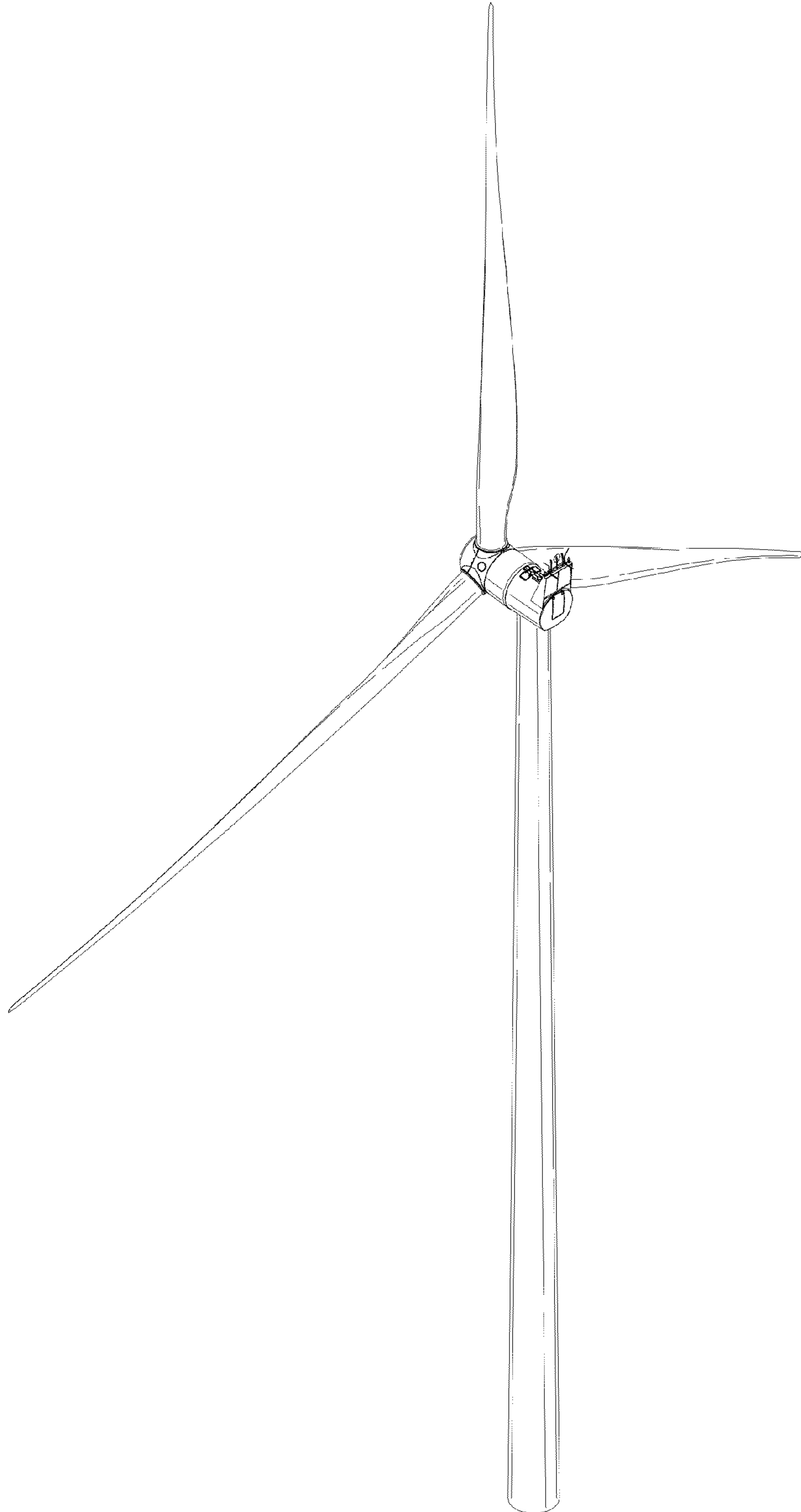




FIG 8

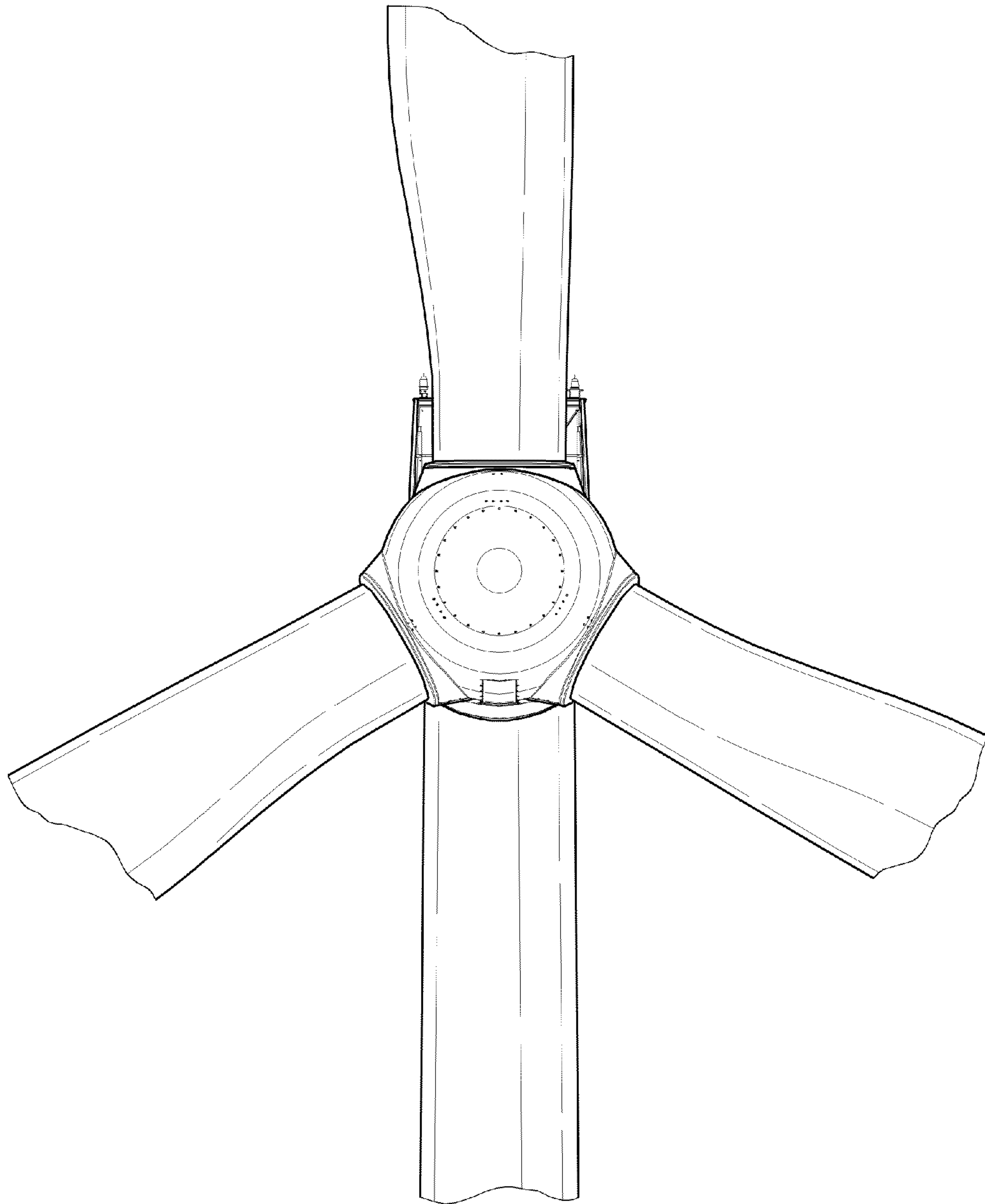


FIG 9

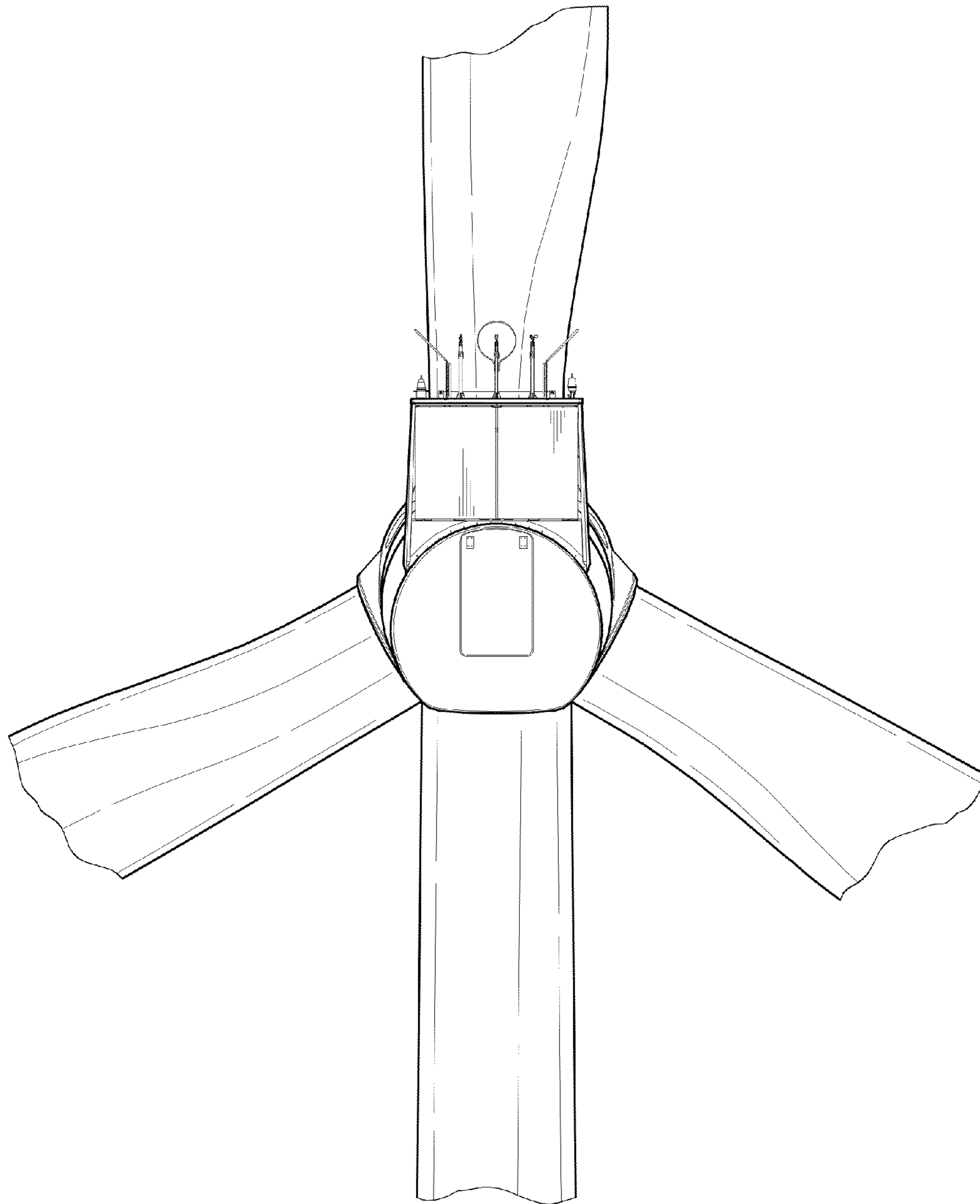


FIG 10

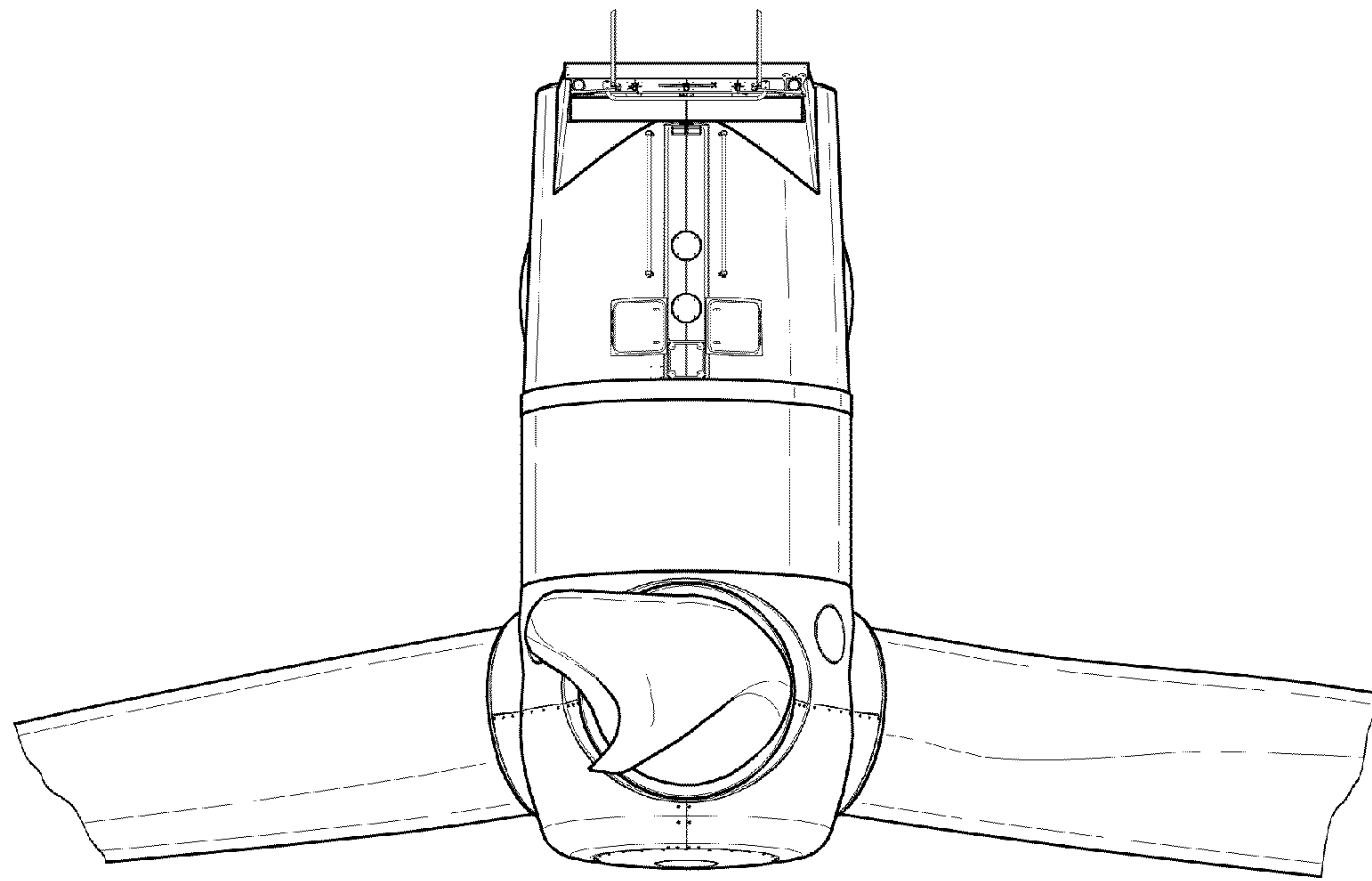


FIG 11

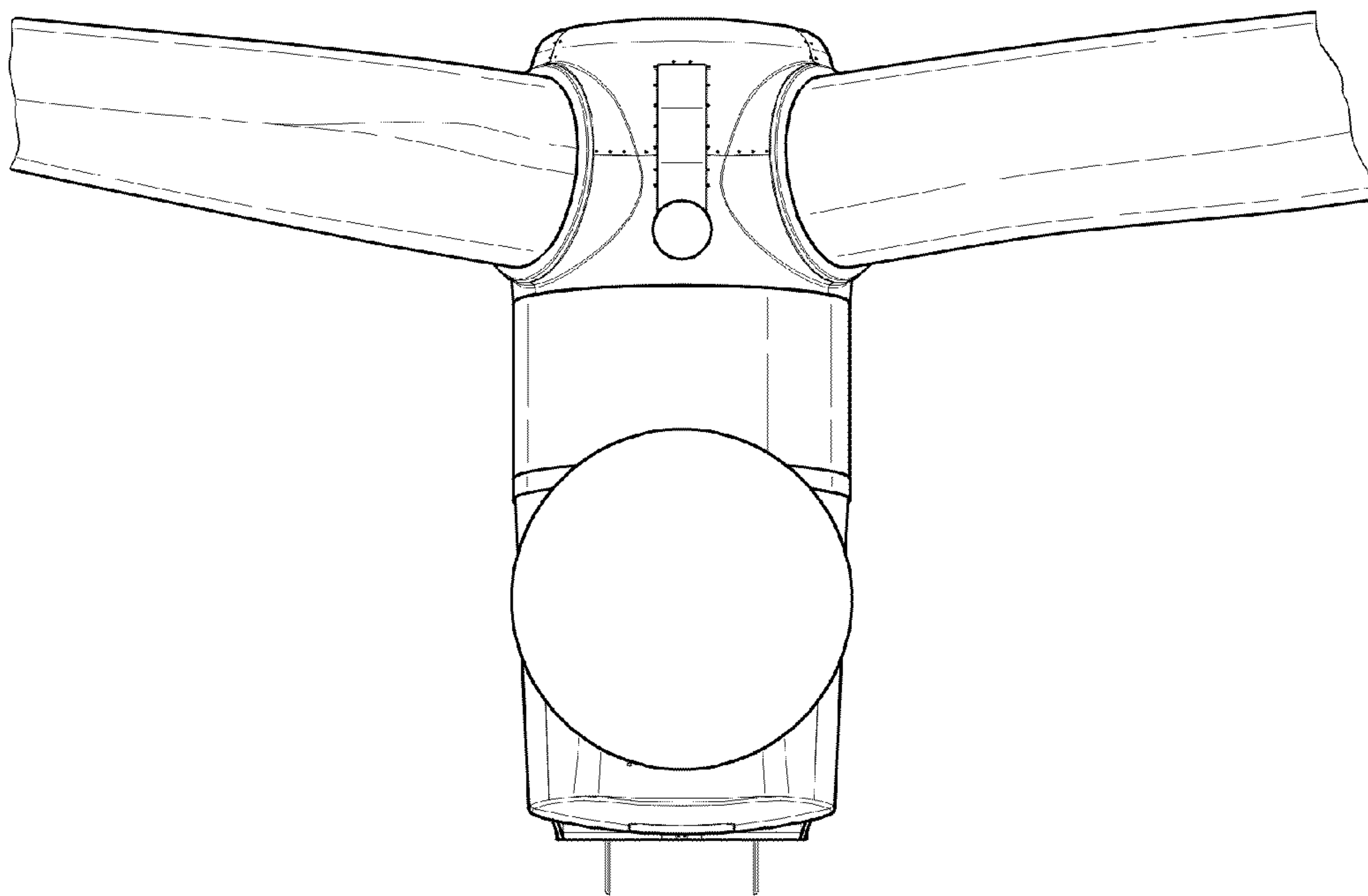


FIG 12

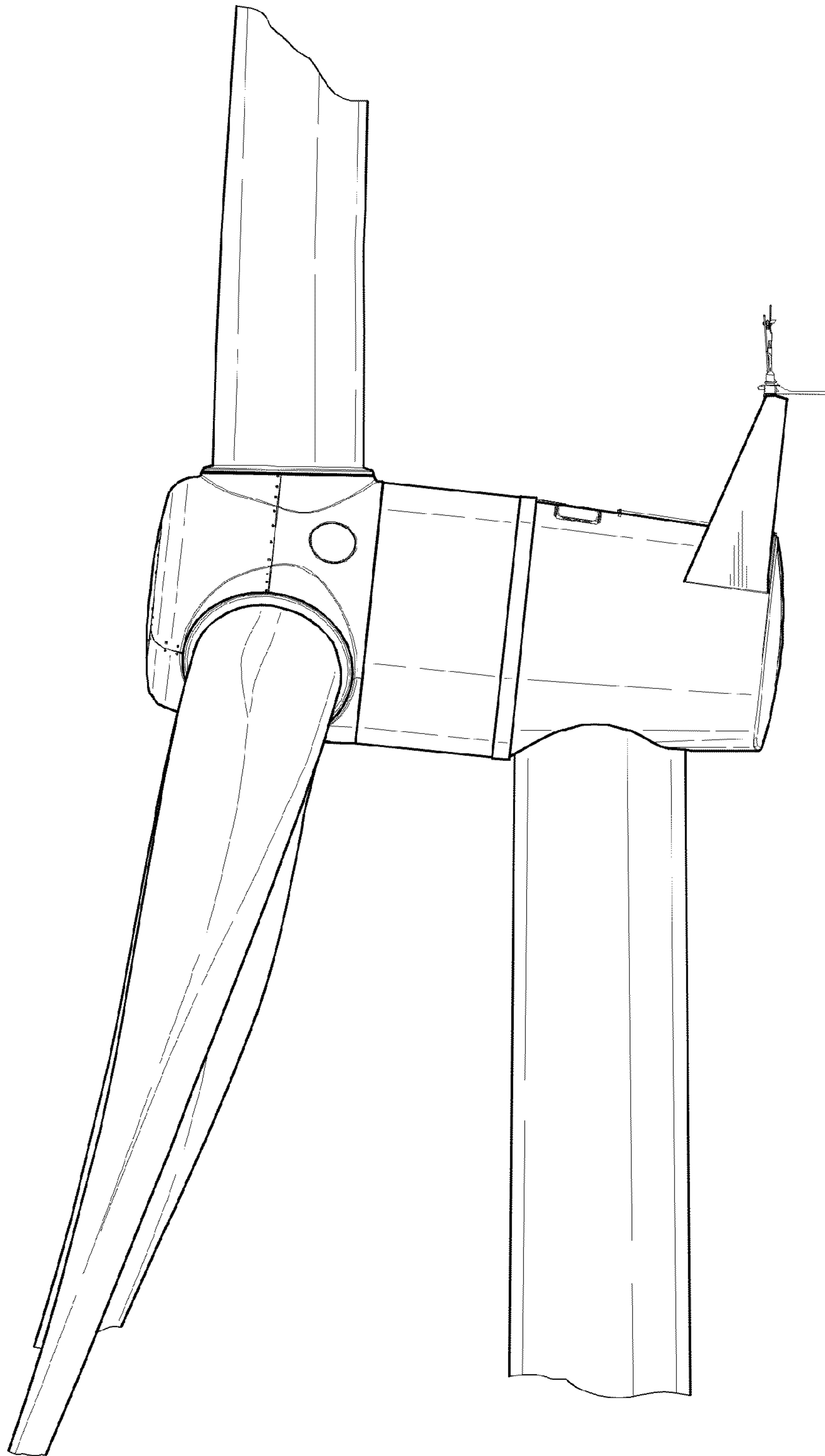


FIG 13

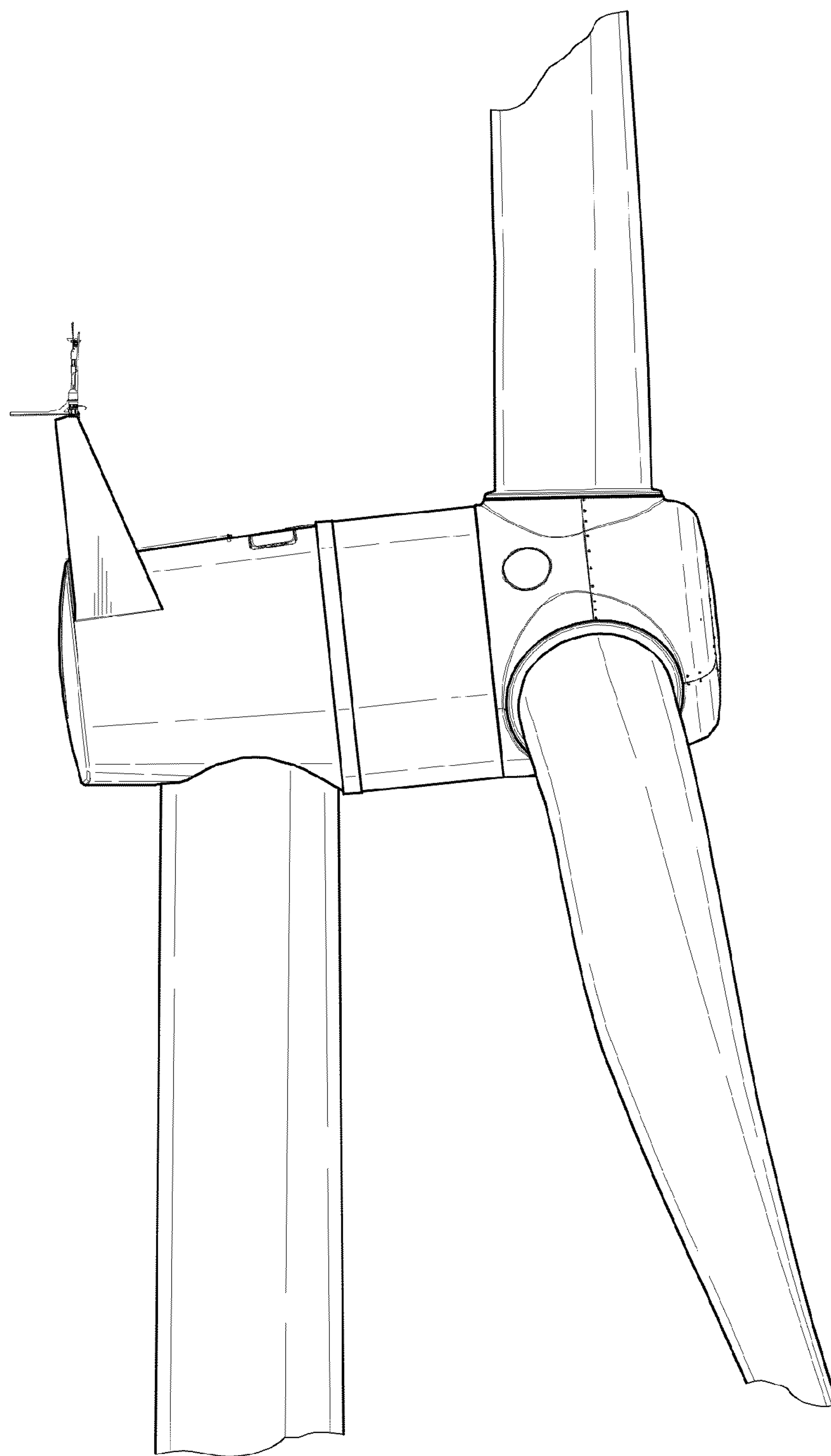


FIG 14

