



US00D717728S

(12) **United States Design Patent**
Krauss et al.

(10) **Patent No.:** **US D717,728 S**
(45) **Date of Patent:** **** Nov. 18, 2014**

(54) **BATTERY PACK**

(71) Applicant: **Bose Corporation**, Framingham, MA (US)

(72) Inventors: **Kevin M. Krauss**, Sudbury, MA (US);
Julie E. Tierney, Shrewsbury, MA (US);
Michael E. Laude, Upton, MA (US);
Jonathan D. Turner, Natlick, MA (US);
Nathan David Schaal, Cambridge, MA (US);
Adam A. Carr, Southborough, MA (US);
Robert A. Warden, Southborough, MA (US)

(73) Assignee: **Bose Corporation**, Framingham, MA (US)

(**) Term: **14 Years**

(21) Appl. No.: **29/469,612**

(22) Filed: **Oct. 11, 2013**

Related U.S. Application Data

(62) Division of application No. 29/442,837, filed on Jan. 24, 2013, now Pat. No. Des. 697,049.

(51) **LOC (10) Cl.** **13-02**

(52) **U.S. Cl.**
USPC **D13/103**

(58) **Field of Classification Search**
USPC D13/102–104, 110, 118–121, 184, 199;
429/96–100, 163, 176; D14/205, 206,
D14/223, 188, 192, 218, 225; 379/430, 431;
455/90.3, 575.1

See application file for complete search history.

(56) **References Cited**

U.S. PATENT DOCUMENTS

D334,043 S * 3/1993 Taniguchi et al. D14/218
D368,316 S * 3/1996 Jansson D26/39
D371,133 S * 6/1996 Andrea D14/206

D408,823 S *	4/1999	Kirby	D14/240
6,122,369 A *	9/2000	Hwang et al.	379/420.04
D445,088 S *	7/2001	Sasaoka	D13/119
D454,110 S *	3/2002	Andre et al.	D13/110
D473,217 S *	4/2003	Rivera	D14/223
D526,642 S *	8/2006	Choe	D14/205
D537,034 S *	2/2007	Kang et al.	D13/103
D556,678 S *	12/2007	Weinstein et al.	D13/103
D561,093 S *	2/2008	Sween et al.	D13/110
D569,841 S *	5/2008	Chung et al.	D14/205
D575,227 S *	8/2008	So	D13/110
D575,228 S *	8/2008	So	D13/110
D586,740 S *	2/2009	Song	D13/103
D592,138 S *	5/2009	Mahaffey et al.	D13/123
D593,940 S *	6/2009	Nomi et al.	D13/103
D601,961 S *	10/2009	Mahaffey et al.	D13/123
D650,737 S *	12/2011	Hamilton	D13/103
D654,867 S *	2/2012	Huppe	D13/110
D660,229 S *	5/2012	Tseng	D13/110
D660,798 S *	5/2012	Tseng	D13/110
D692,826 S *	11/2013	Aida et al.	D13/108
D694,703 S *	12/2013	Faro	D13/103
D697,049 S *	1/2014	Krauss et al.	D14/205
D712,873 S *	9/2014	Krauss et al.	D14/205

* cited by examiner

Primary Examiner — Rosemary K Tarcza

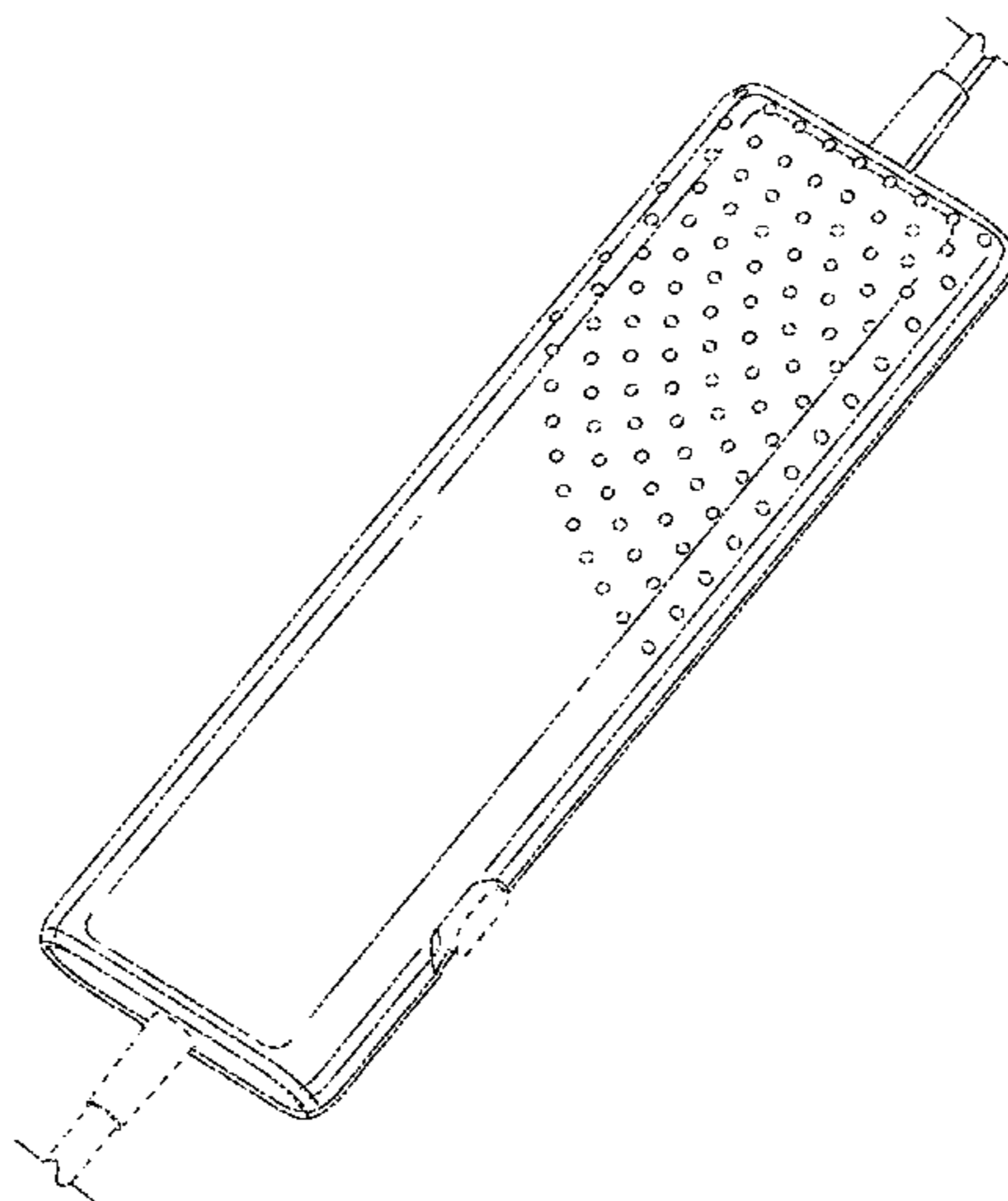
(57) **CLAIM**

The ornamental design for a battery pack, as shown and described.

DESCRIPTION

FIG. 1 is a perspective view of a battery pack as seen from the front, bottom, and left side;
FIG. 2 is a front view thereof;
FIG. 3 is a back view thereof;
FIG. 4 is a right side view thereof;
FIG. 5 is a left side view thereof;
FIG. 6 is a top end view thereof; and,
FIG. 7 is a bottom end view thereof.
The dotted line portions of the drawings represent environmental structure only and do not form part of the claimed design.

1 Claim, 3 Drawing Sheets



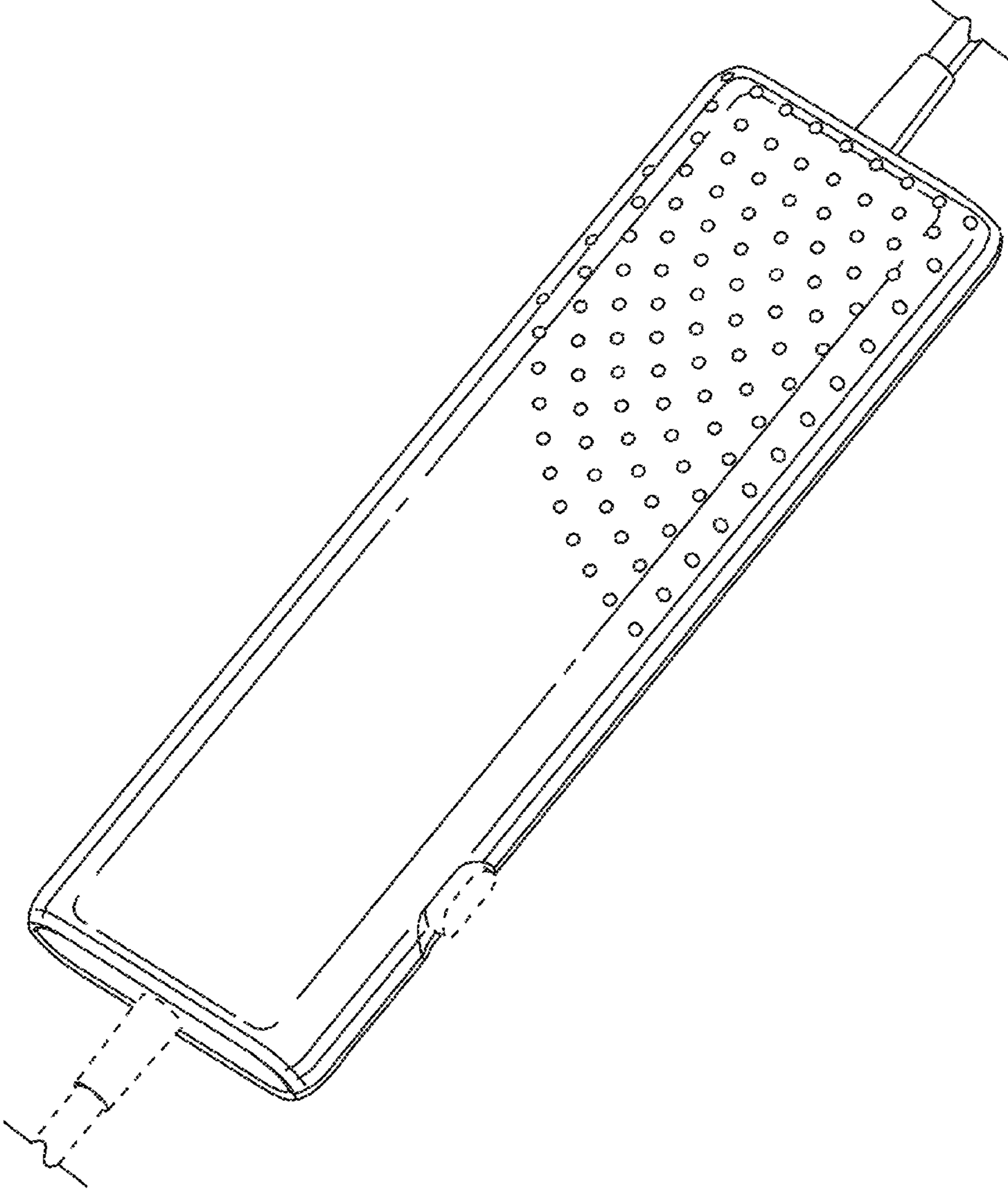


FIG. 1

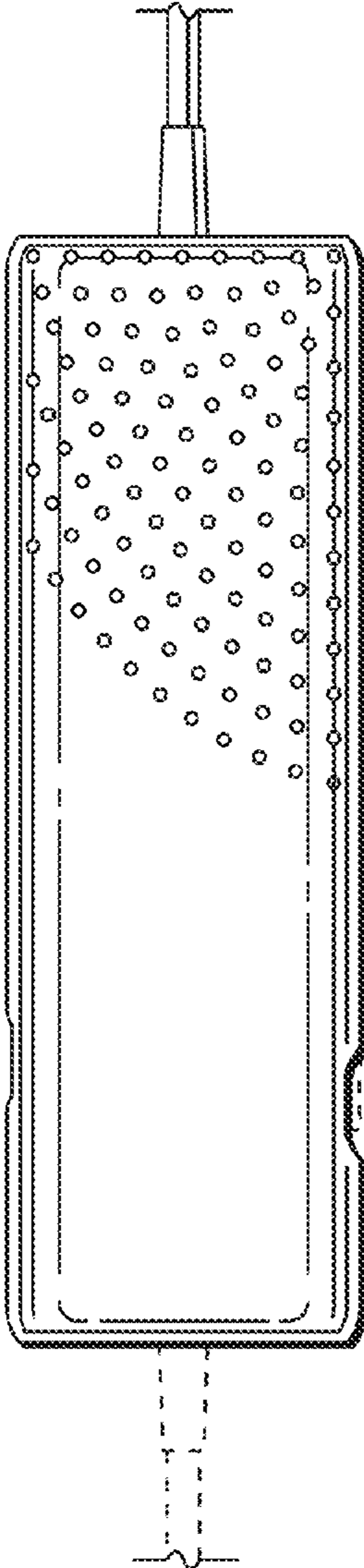


FIG. 2

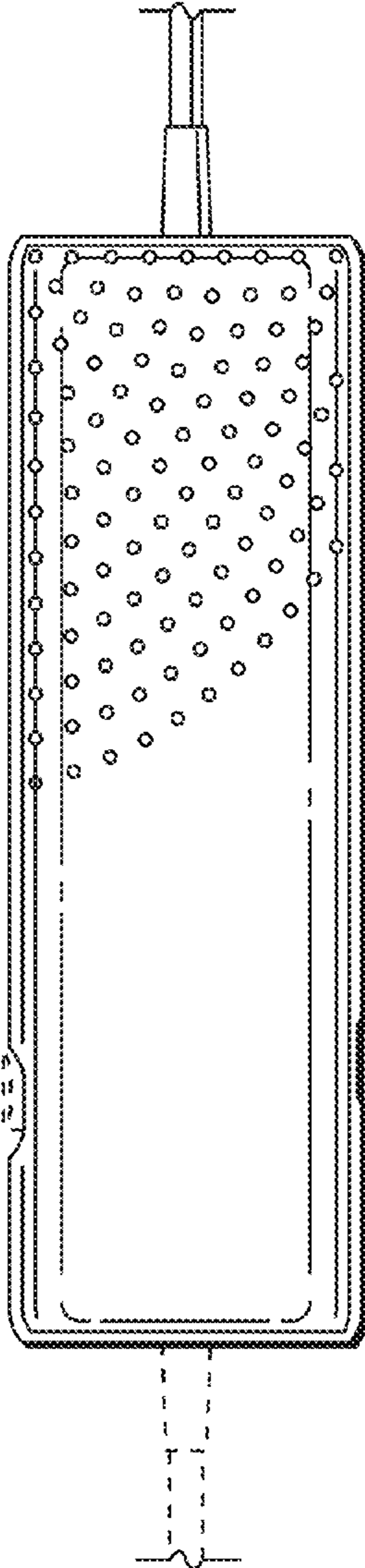


FIG. 3

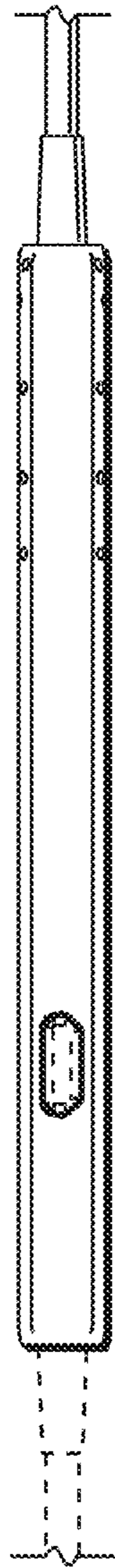


FIG. 4



FIG. 5

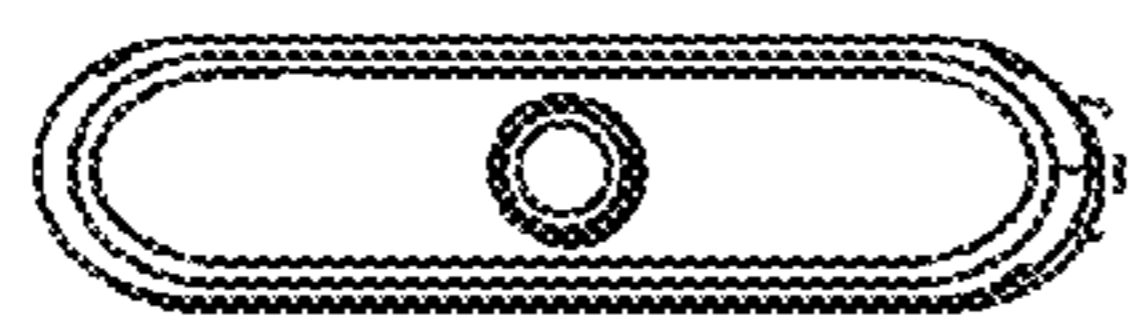


FIG. 6



FIG. 7