



US00D717726S

(12) **United States Design Patent**
Buchinger-Barnstorf

(10) **Patent No.:** **US D717,726 S**

(45) **Date of Patent:** **** Nov. 18, 2014**

(54) **TIRE**

(75) **Inventor:** **Thomas Buchinger-Barnstorf,**
Wennigsen (DE)

(73) **Assignee:** **Continental Reifen Deutschland**
GmbH, Hannover (DE)

(**) **Term:** **14 Years**

(21) **Appl. No.:** **29/413,541**

(22) **Filed:** **Feb. 16, 2012**

(30) **Foreign Application Priority Data**

Aug. 17, 2011 (EM) 001905225

(51) **LOC (10) CL.** **12-15**

(52) **U.S. CL.**
USPC **D12/599; D12/900**

(58) **Field of Classification Search**
USPC D12/563, 568-603, 900-901;
152/209.1-209.9, 209.11-209.19,
152/209.21-209.28, 455
See application file for complete search history.

(56) **References Cited**

U.S. PATENT DOCUMENTS

D157,953 S *	4/1950	Hawkinson	D12/579
D187,575 S *	3/1960	Caurette	D12/578
D294,927 S *	3/1988	Kobayashi et al.	D12/571
D397,655 S *	9/1998	Takada	D12/579

D418,457 S *	1/2000	Roelle et al.	D12/600
D456,341 S *	4/2002	Warchol et al.	D12/577
D505,387 S *	5/2005	Nonaka	D12/600
D608,729 S *	1/2010	Brown	D12/600
D609,173 S *	2/2010	Buchinger-Barnstorf	...	D12/599
D624,873 S *	10/2010	Tamura	D12/586
D637,152 S *	5/2011	Maus et al.	D12/602
D642,114 S *	7/2011	Sugimoto et al.	D12/578
D642,115 S *	7/2011	Pringiers	D12/579
D644,599 S *	9/2011	Nicolas et al.	D12/601
D675,152 S *	1/2013	Yokomakura	D12/578
D700,133 S *	2/2014	Takahashi	D12/600

* cited by examiner

Primary Examiner — Stacia Cadmus

(74) *Attorney, Agent, or Firm* — Greenblum & Bernstein,
P.L.C.

(57) **CLAIM**

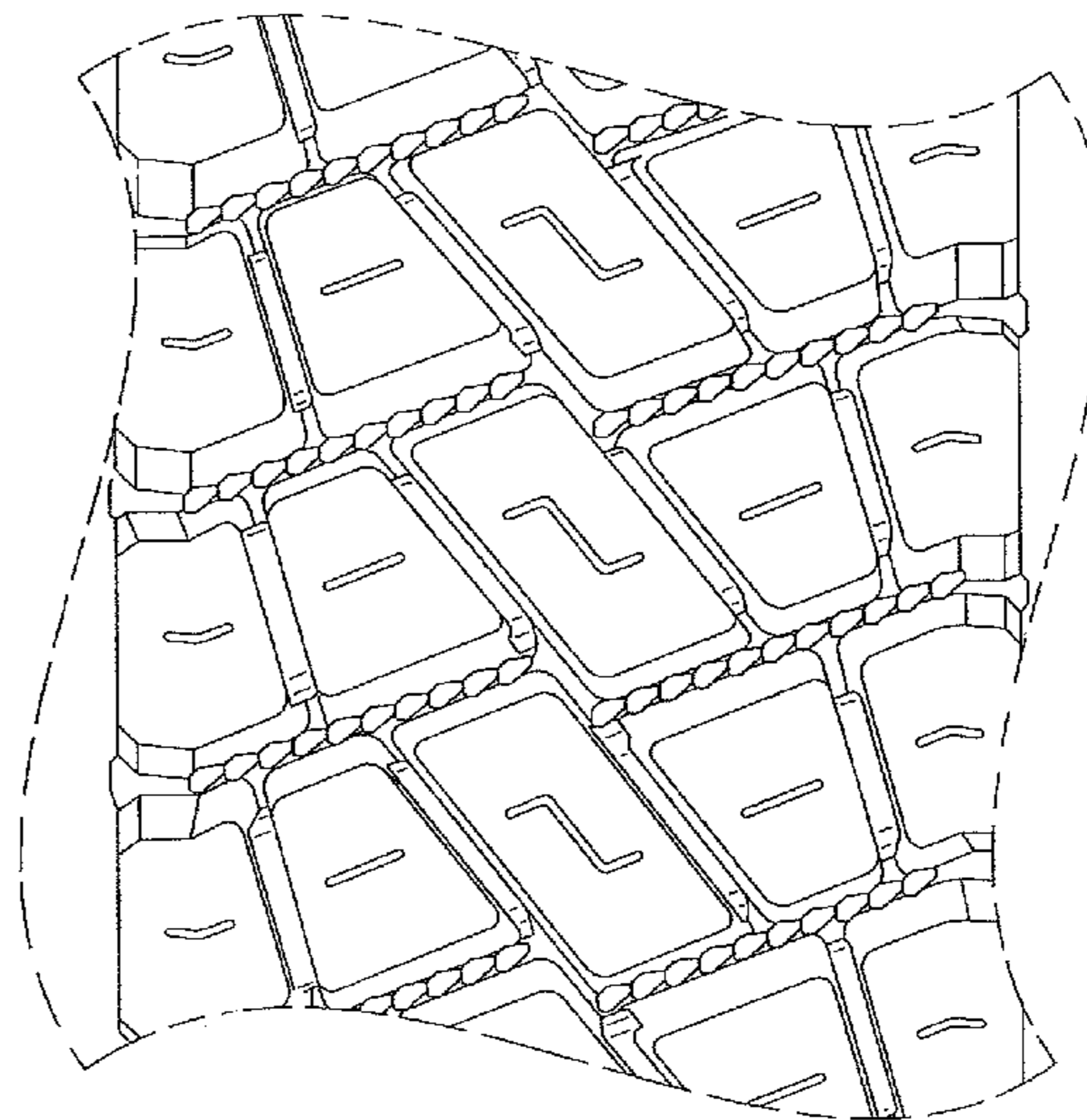
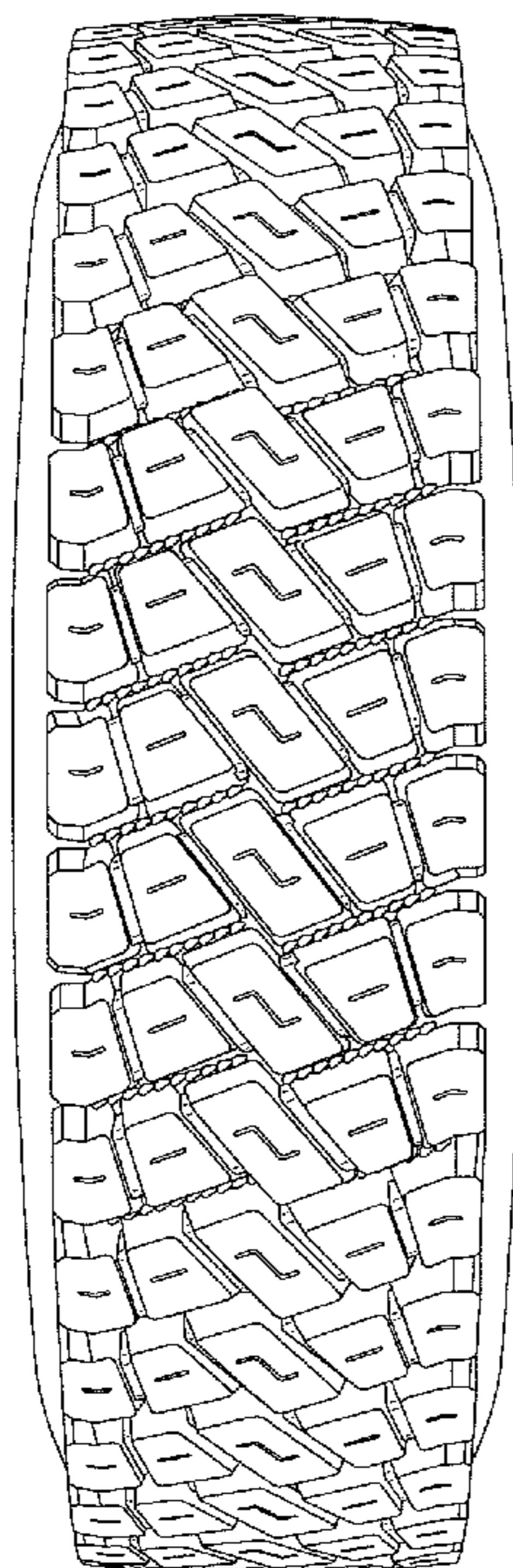
I claim the ornamental design for a tire, as shown and described.

DESCRIPTION

FIG. 1 is a front side perspective view of the tire;
FIG. 2 is a front view of FIG. 1;
FIG. 3 is a left side view of FIG. 1;
FIG. 4 is a right side view of FIG. 1; and,
FIG. 5 is an enlarged section of the tire of FIG. 1. The lines defining a box surrounding the section forms no part of the design.

The broken lines forming a box in FIG. 5 is included for the purpose of illustrating an enlarged section of the tire and forms no part of the claimed invention.

1 Claim, 5 Drawing Sheets



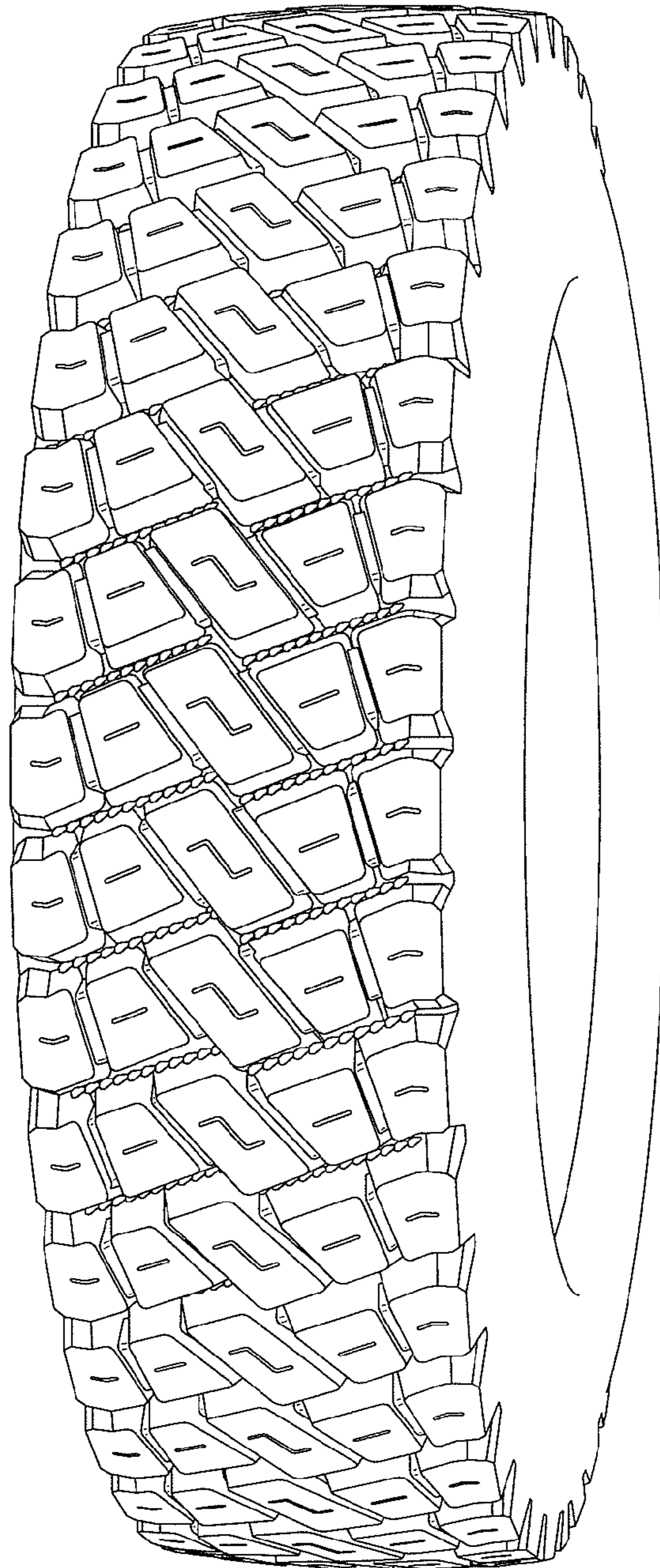


FIG. 1

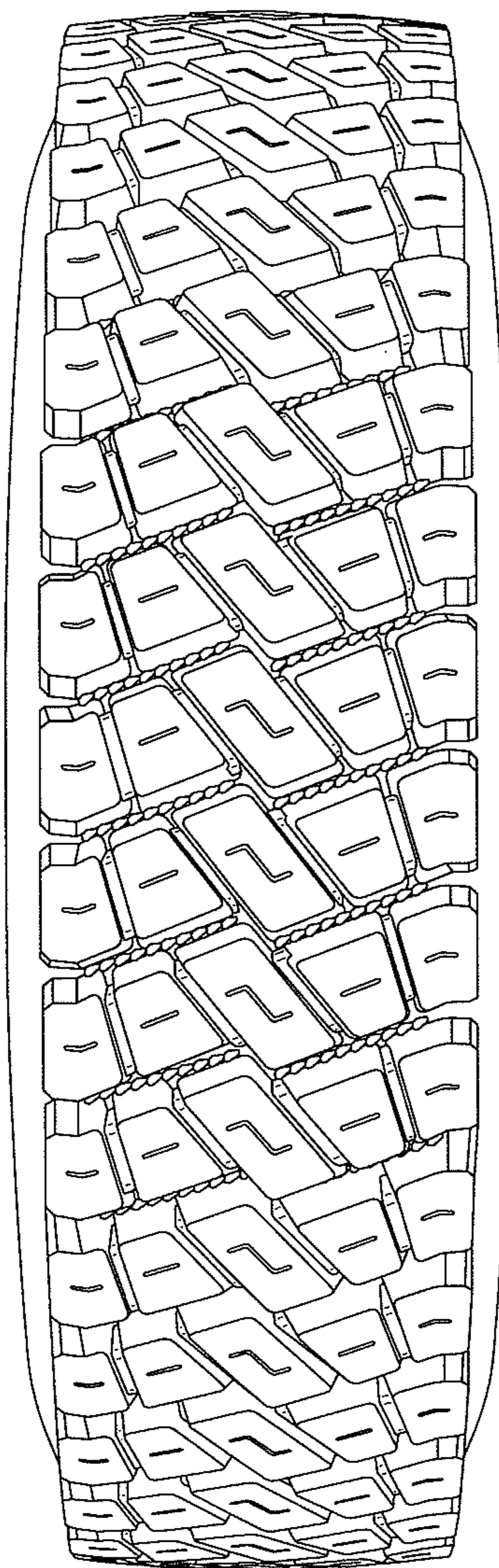


FIG. 2

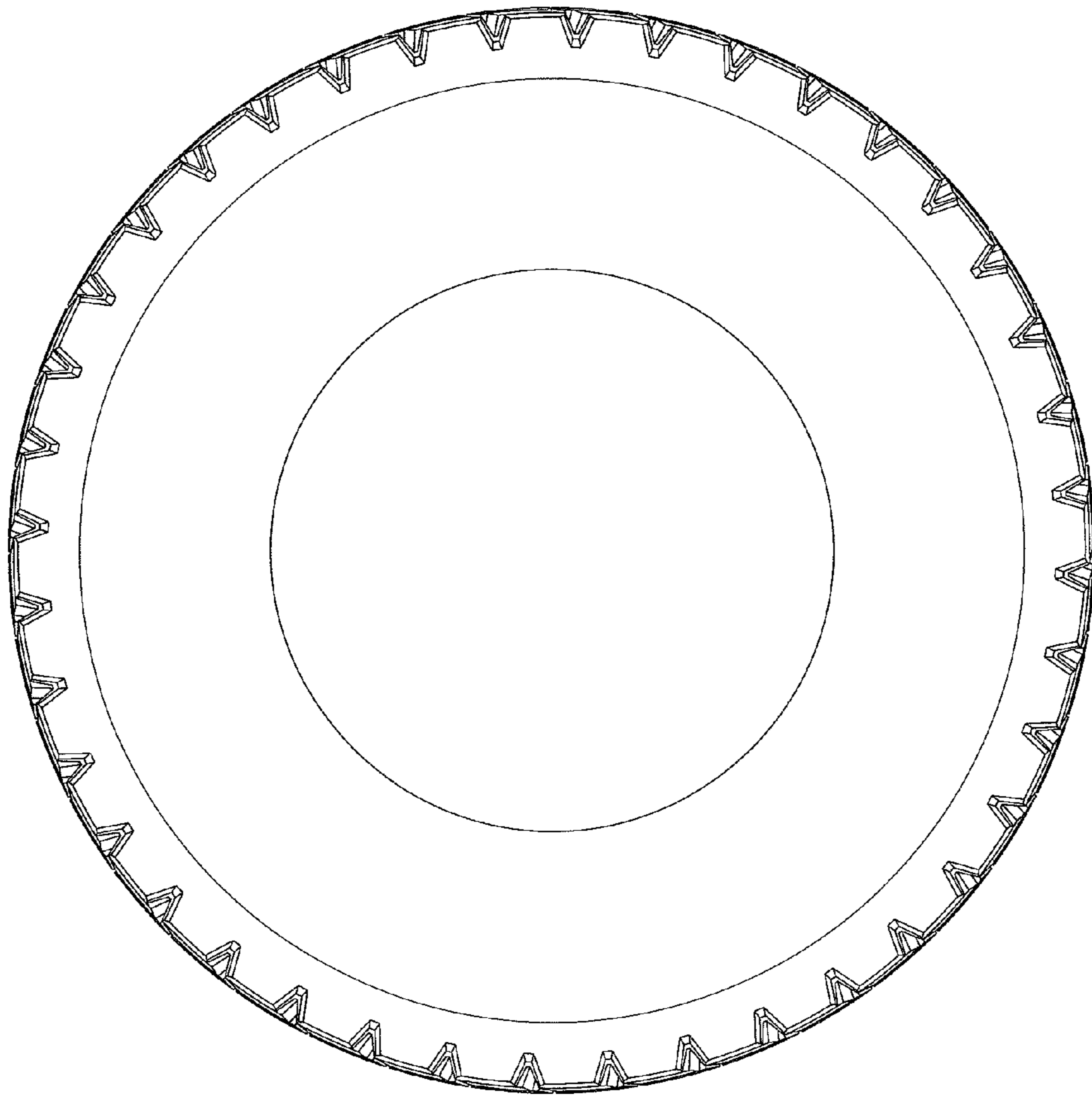


FIG. 3

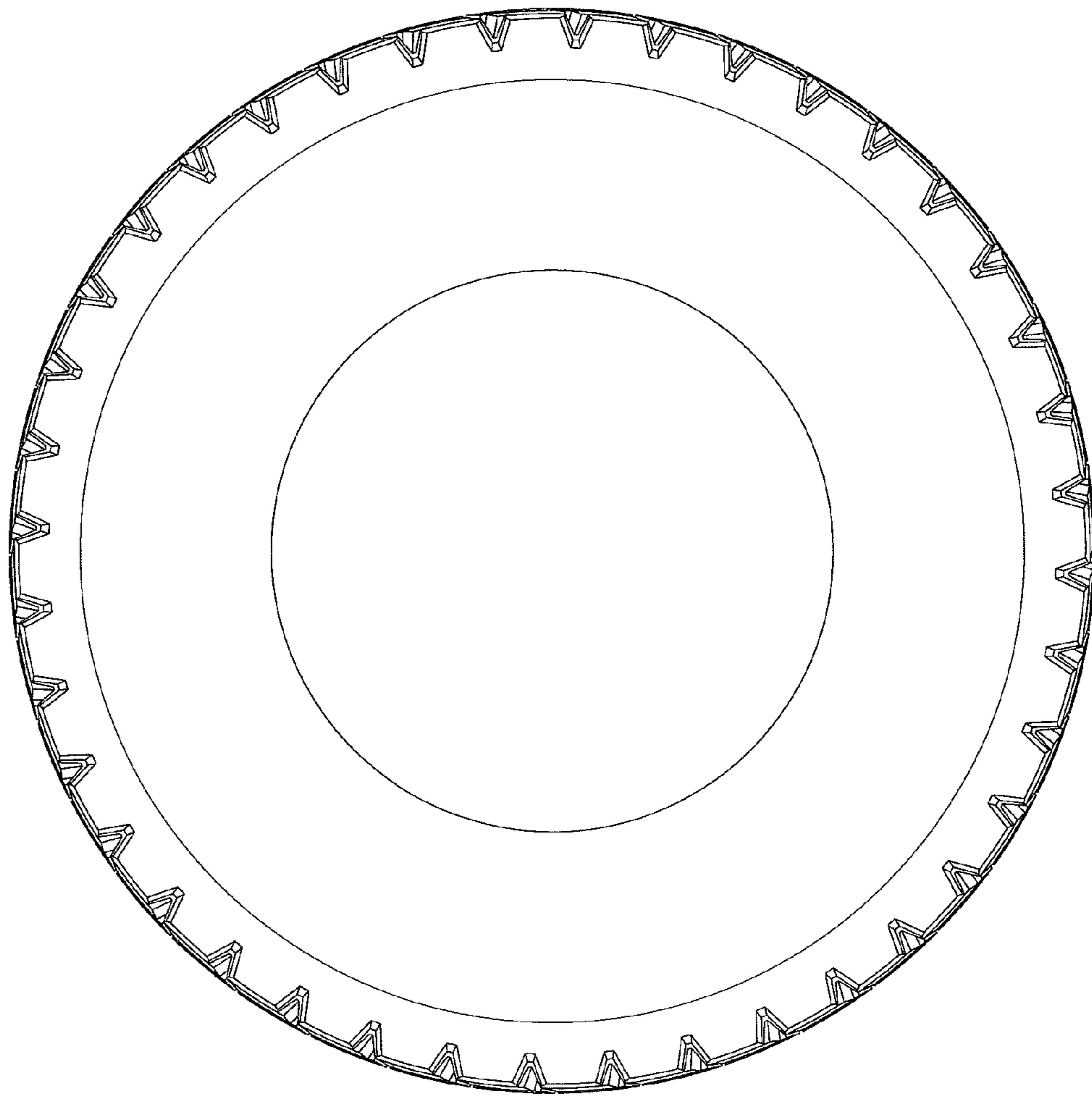


FIG. 4

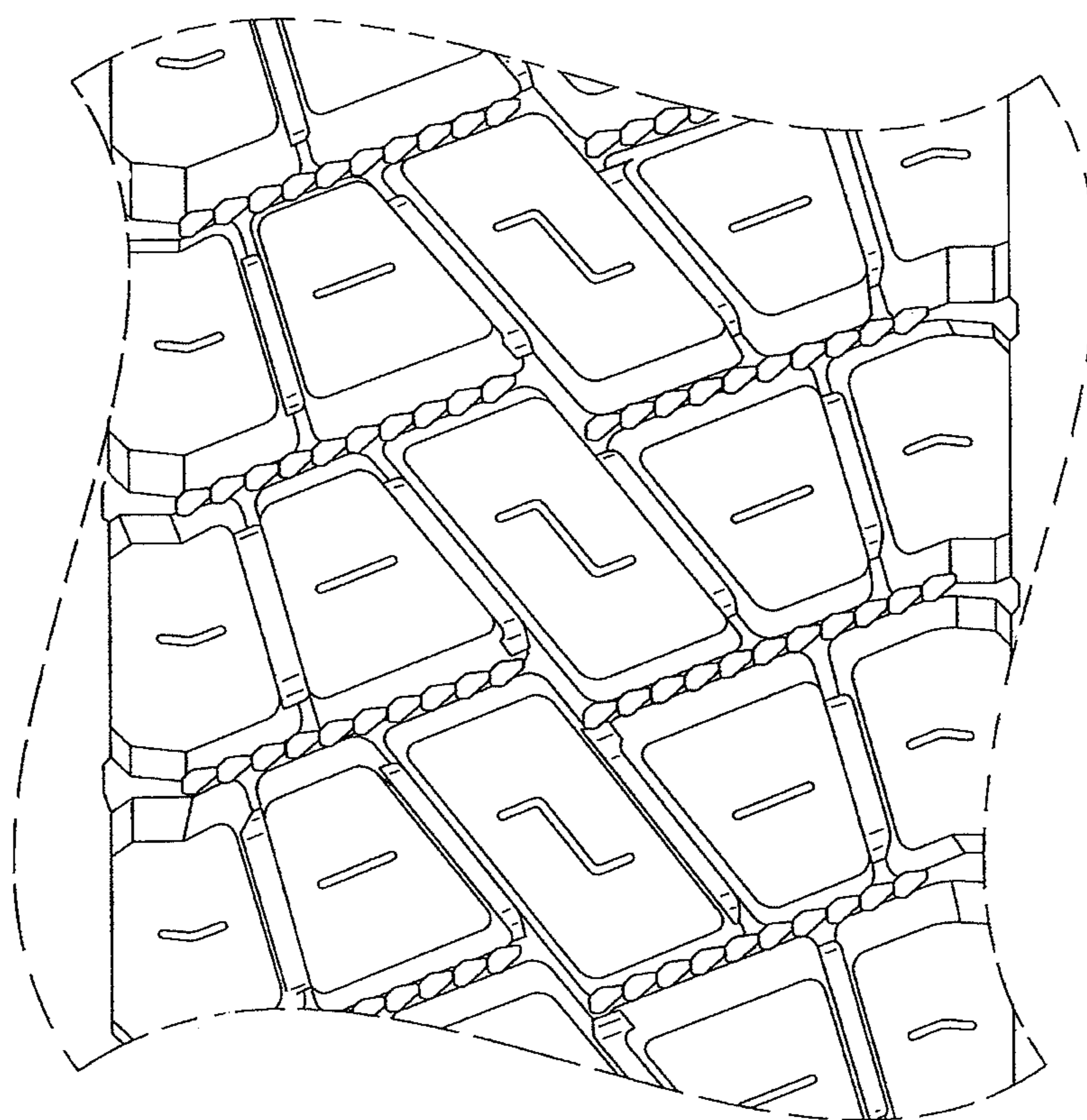


FIG. 5