



US00D717723S

(12) **United States Design Patent**  
**Laverack et al.**

(10) **Patent No.:** **US D717,723 S**

(45) **Date of Patent:** **\*\* Nov. 18, 2014**

(54) **ATTACHABLE RAIL**

(71) Applicant: **Thule Sweden AB**, Hillerstorp (SE)

(72) Inventors: **John R. Laverack**, Southbury, CT (US);  
**Gregor G. Weaver**, Waterbury, CT (US)

(73) Assignee: **Thule Sweden AB**, Hillerstorp (SE)

(\*\*) Term: **14 Years**

(21) Appl. No.: **29/461,779**

(22) Filed: **Jul. 26, 2013**

(51) **LOC (10) Cl.** ..... **12-16**

(52) **U.S. Cl.**  
USPC ..... **D12/414**

(58) **Field of Classification Search**  
USPC ..... D12/414; D32/35, 58; D6/317-319,  
D6/513-514; 206/213, 8, 9, 279, 290, 713,  
206/335  
See application file for complete search history.

(56) **References Cited**

**U.S. PATENT DOCUMENTS**

2,772,824	A	*	12/1956	Binding	.....	224/319
D332,243	S	*	1/1993	Collins	.....	D12/413
5,456,397	A	*	10/1995	Pedrini	.....	224/324
D415,096	S	*	10/1999	Englander et al.	.....	D12/406
D555,573	S	*	11/2007	Kemery et al.	.....	D12/412
D566,034	S	*	4/2008	Davis et al.	.....	D12/408

D574,096	S	*	7/2008	Klinkman et al.	.....	D26/28
D642,112	S	*	7/2011	Farber	.....	D12/414
D692,113	S	*	10/2013	Eilmus	.....	D23/308
D694,170	S	*	11/2013	Eriksson	.....	D12/414
D694,700	S	*	12/2013	Sankey et al.	.....	D12/414
D695,206	S	*	12/2013	Eriksson	.....	D12/414

\* cited by examiner

*Primary Examiner* — Katrina A Betton

(74) *Attorney, Agent, or Firm* — Novak Druce Connolly  
Bove + Quigg LLP

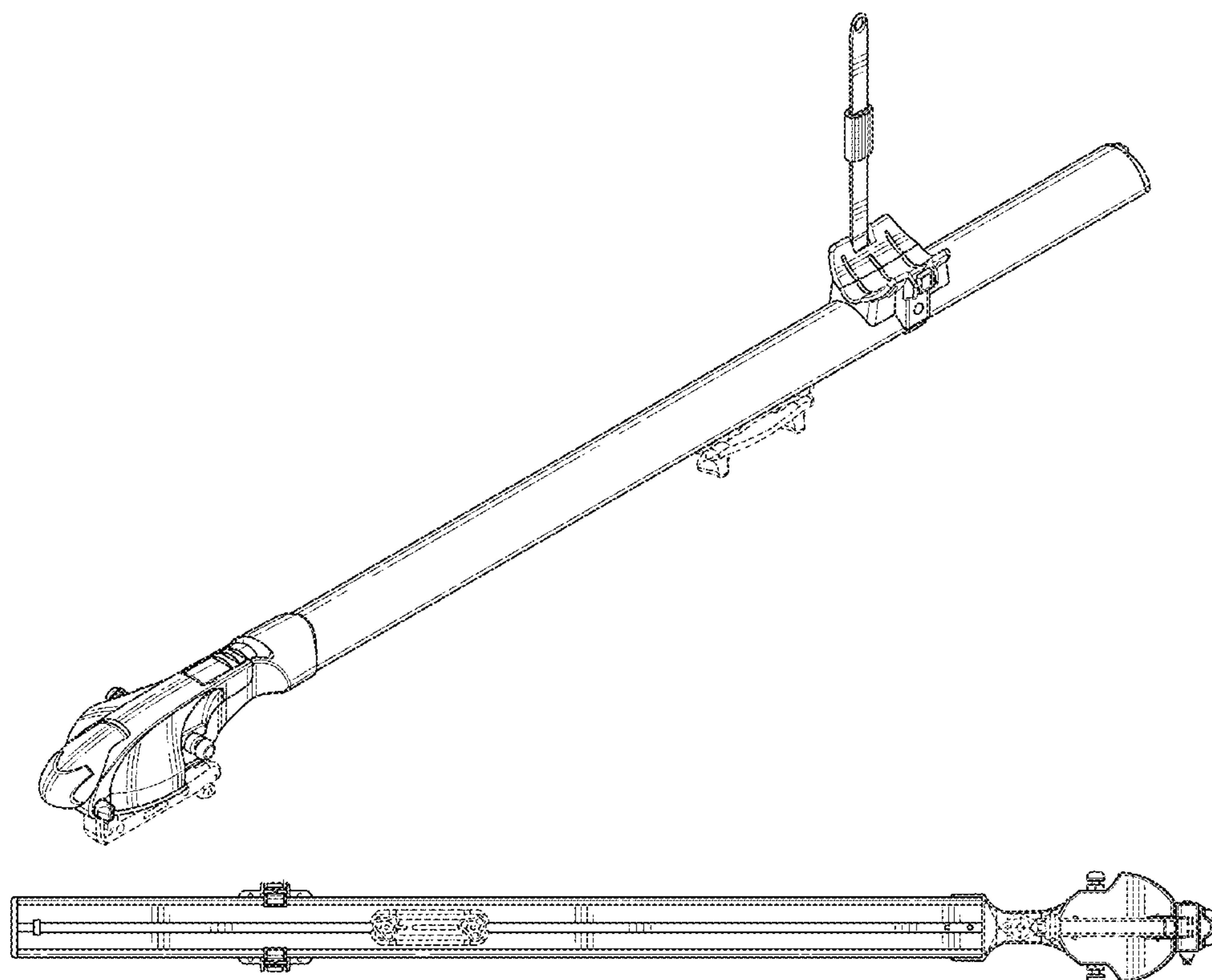
(57) **CLAIM**

We claim the ornamental design for an attachable rail, as shown and described.

**DESCRIPTION**

FIG. 1 is a perspective view of an attachable rail;  
FIG. 2 is a front elevational view thereof;  
FIG. 3 is a back elevational view thereof;  
FIG. 4 is a left side elevational view thereof;  
FIG. 5 is a right side elevational view thereof;  
FIG. 6 is a top plan view thereof; and,  
FIG. 7 is a bottom plan view thereof.  
Broken lines are used to illustrate unclaimed portions of the attachable rail; broken lines form no part of the claimed design.

**1 Claim, 7 Drawing Sheets**



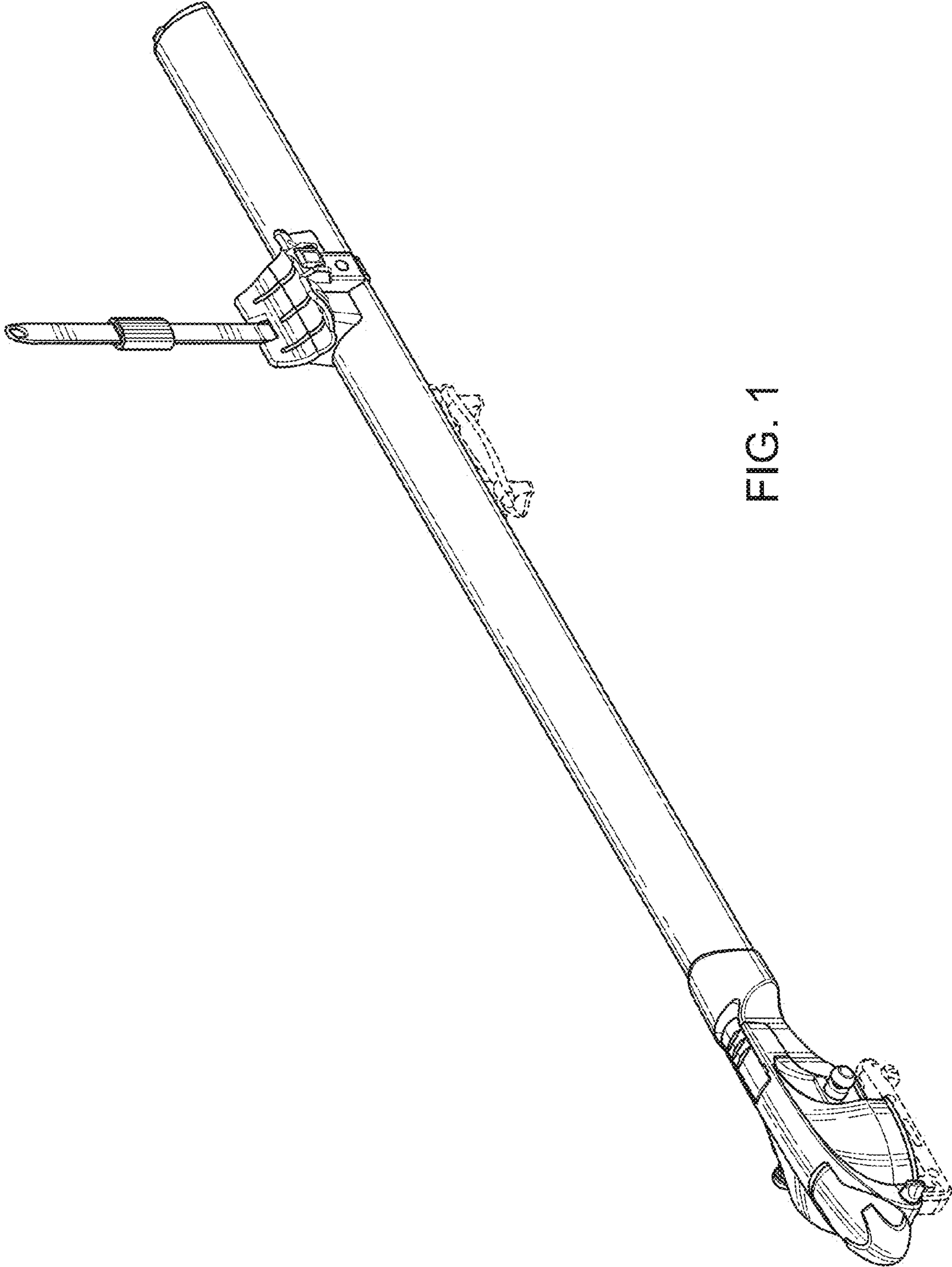


FIG. 1

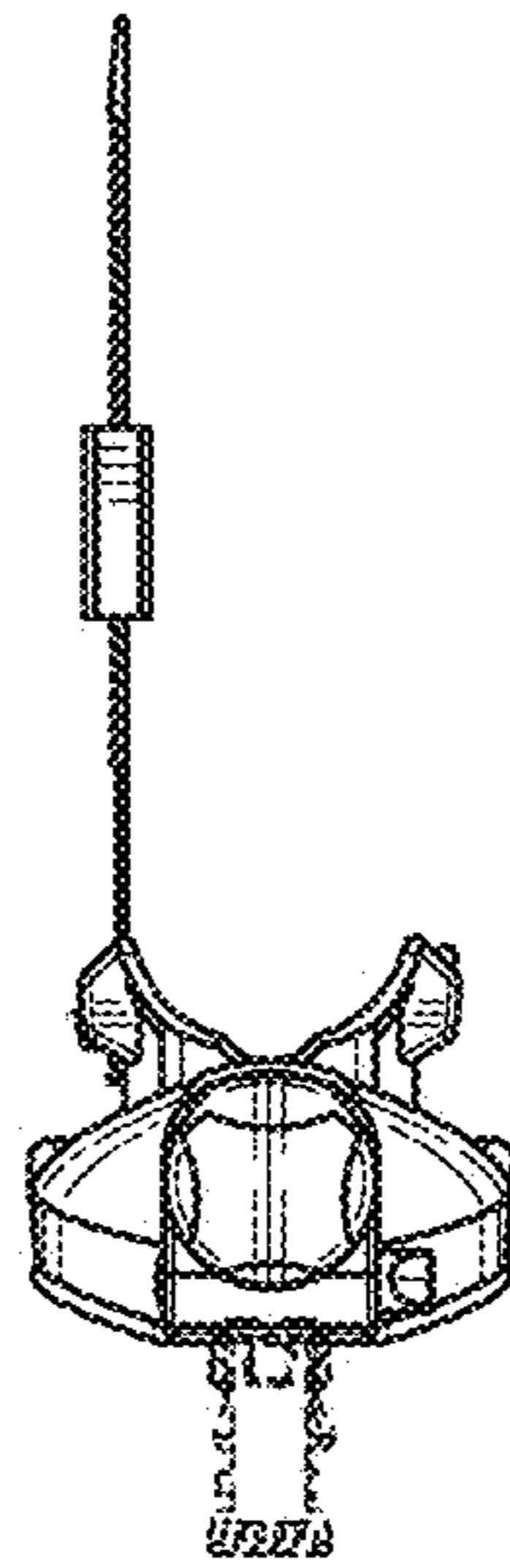


FIG. 2

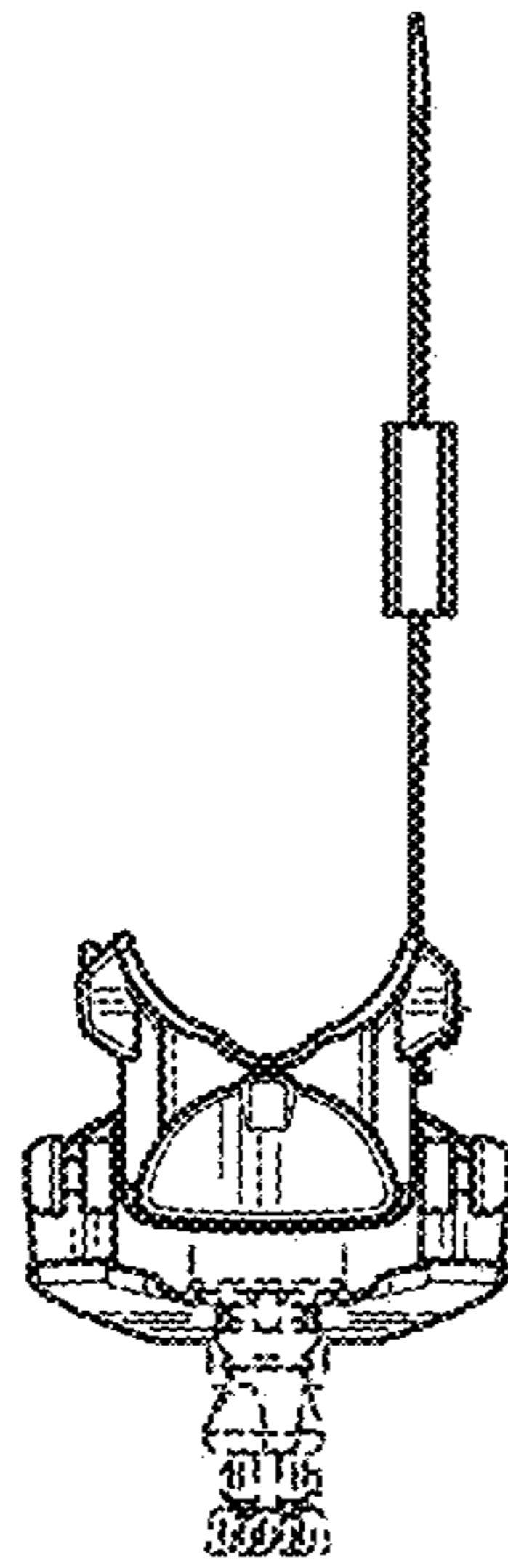


FIG. 3

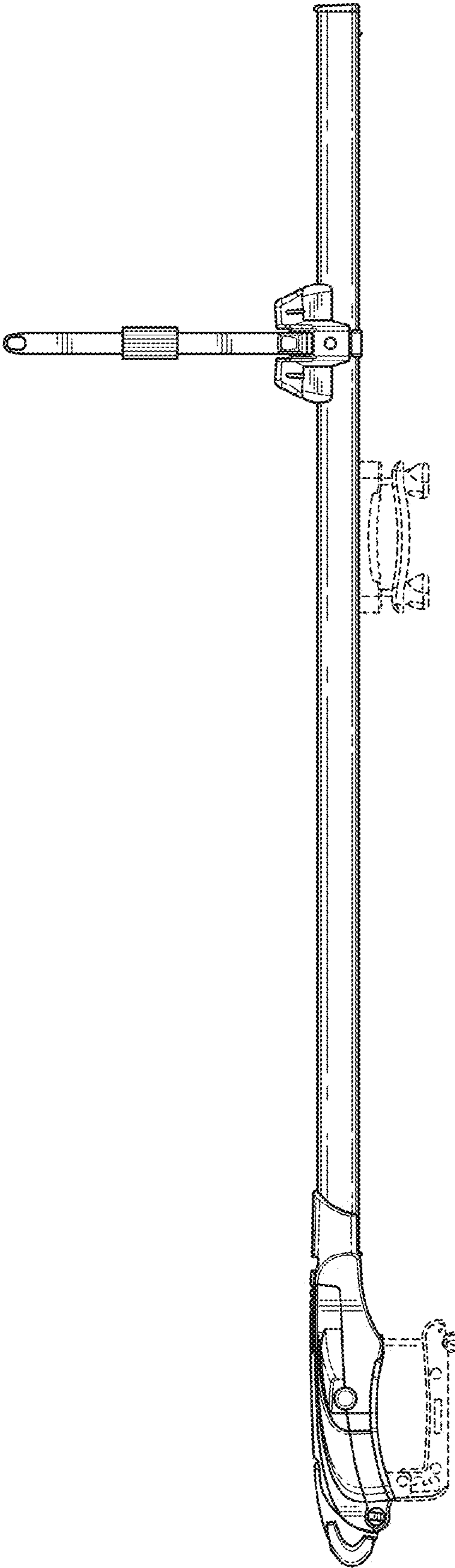


FIG. 4

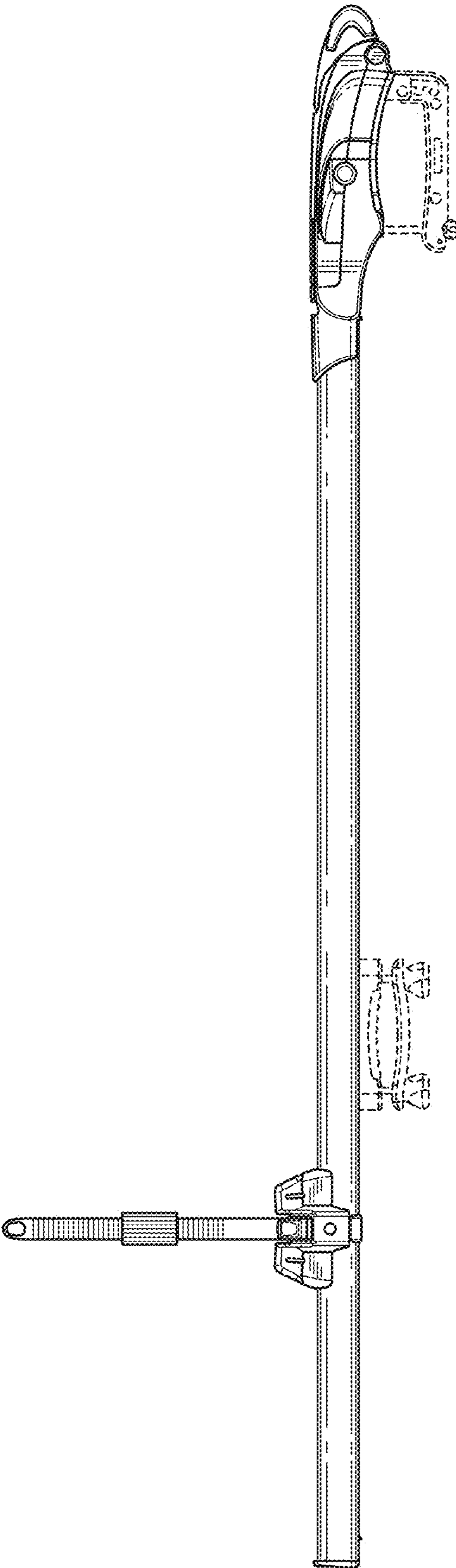


FIG. 5

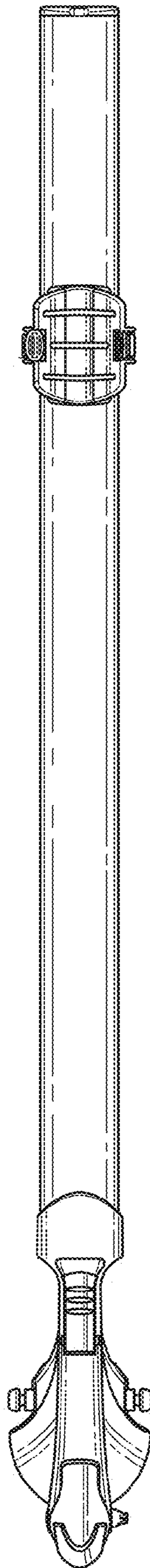


FIG. 6

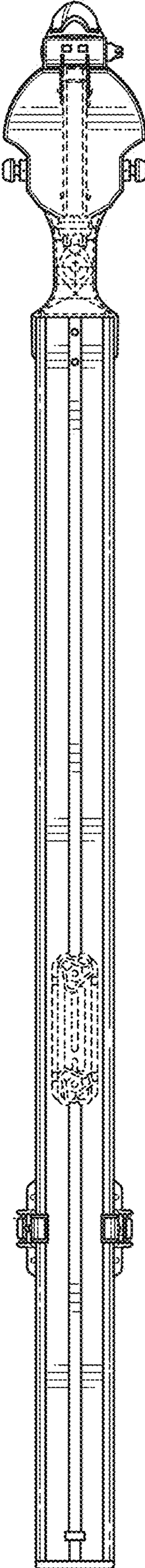


FIG. 7