



US00D717721S

(12) **United States Design Patent**
Guaresimo et al.

(10) **Patent No.:** **US D717,721 S**

(45) **Date of Patent:** **** Nov. 18, 2014**

(54) **FUEL TANK COVER**

(71) Applicant: **Westport Power Inc.**, Vancouver (CA)

(72) Inventors: **Paul G. Guaresimo**, Grosse Pointe Woods, MI (US); **William G. Szuch**, Goodison, MI (US)

(73) Assignee: **Westport Power Inc.**, Vancouver, BC (CA)

(**) Term: **14 Years**

(21) Appl. No.: **29/445,533**

(22) Filed: **Feb. 13, 2013**

(51) **LOC (10) Cl.** **12-16**

(52) **U.S. Cl.**
USPC **D12/414; D12/414.1**

(58) **Field of Classification Search**
USPC D12/414, 414.1; D32/35, 58;
D6/317-319, 513-514; 206/213, 8, 9,
206/279, 290, 713, 335

See application file for complete search history.

(56) **References Cited**

U.S. PATENT DOCUMENTS

3,854,621	A	12/1974	Parry	
D269,772	S	7/1983	Hahn	
D300,418	S	3/1989	Yamada et al.	
5,169,200	A	12/1992	Pugh	
D352,697	S *	11/1994	Johnson	D12/414.1
D379,995	S	6/1997	Gilmore	
D403,654	S *	1/1999	Houry	D12/414.1
5,893,599	A	4/1999	Strohfeldt	
6,502,868	B1 *	1/2003	Laspa et al.	292/26
D485,216	S	1/2004	Yamamoto et al.	
D515,985	S	2/2006	Kishi et al.	
D534,108	S	12/2006	Katagiri et al.	
D535,936	S *	1/2007	Greene	D12/414.1

D537,388	S	2/2007	Martell	
D576,081	S	9/2008	Schroeder et al.	
D638,778	S *	5/2011	Giddens	D12/414
D657,291	S	4/2012	Tako et al.	
D660,782	S *	5/2012	Levorato et al.	D12/423
2004/0020952	A1 *	2/2004	Schomaker	224/404
2005/0104415	A1 *	5/2005	Hungerford et al.	296/190.02

OTHER PUBLICATIONS

Non-Final Office Action issued by USPTO on Apr. 29, 2014, in connection with co-owned U.S. Appl. No. 13/897,021, entitled "Multi-Piece Vehicle Tank Enclosure".

* cited by examiner

Primary Examiner — Katrina A Betton

(74) *Attorney, Agent, or Firm* — Corridor Law Group, P.C.

(57) **CLAIM**

The ornamental design for a fuel tank cover, as shown and described.

DESCRIPTION

FIG. 1 is a perspective view of a fuel tank cover showing the new design, the broken lines, which outline the back portion of a vehicle, for illustrative purposes only and form no part of the claimed design;

FIG. 2 is a second perspective view thereof;

FIG. 3 is a back elevation view thereof;

FIG. 4 is a front elevation view thereof;

FIG. 5 is a top view thereof;

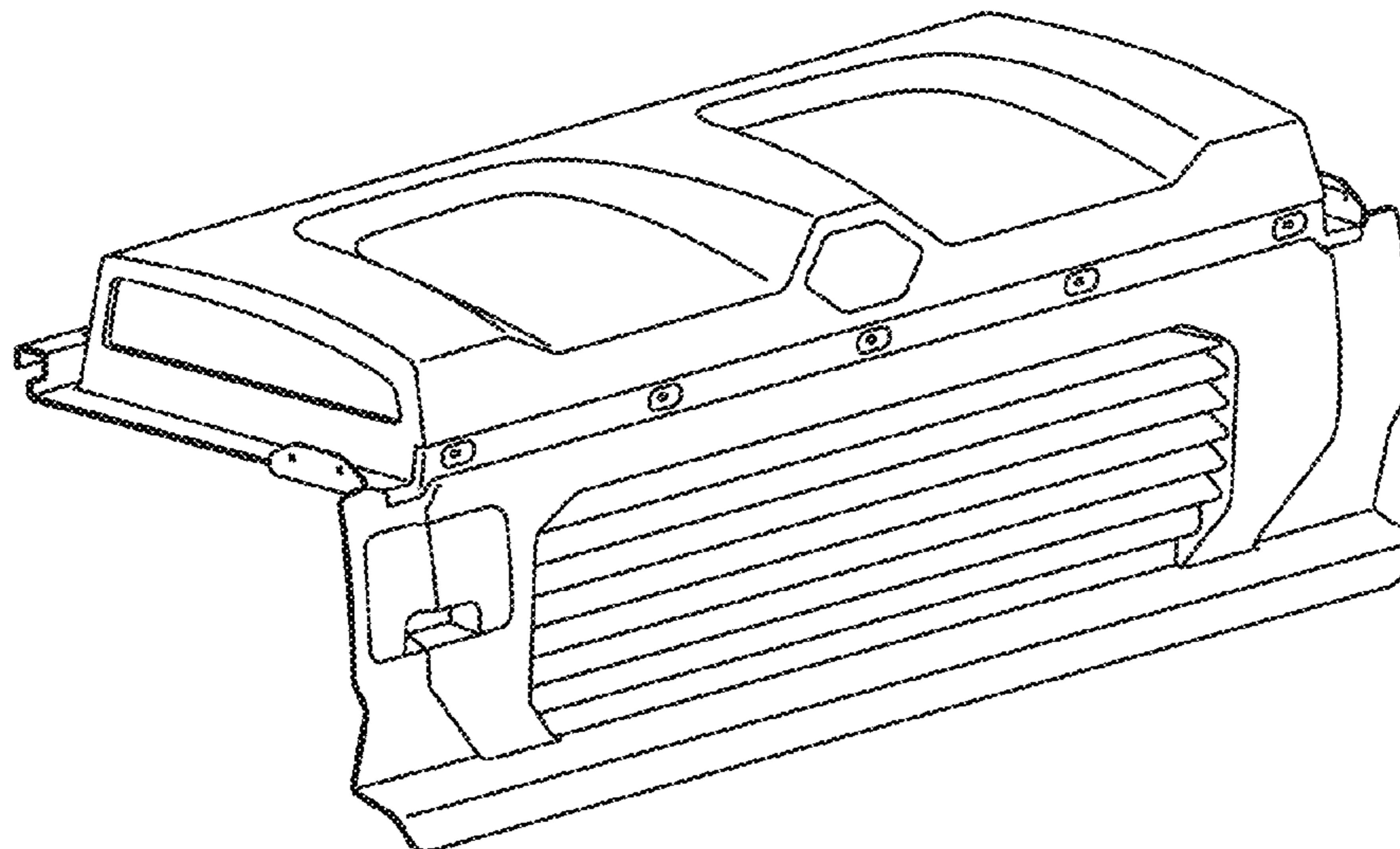
FIG. 6 is a bottom view thereof;

FIG. 7 is a left side elevation view thereof;

FIG. 8 is a right side elevation view thereof; and,

FIG. 9 is a left side elevation view thereof, the broken lines, which outline the left side of a fuel tank, for illustrative purposes only and form no part of the claimed design.

1 Claim, 5 Drawing Sheets



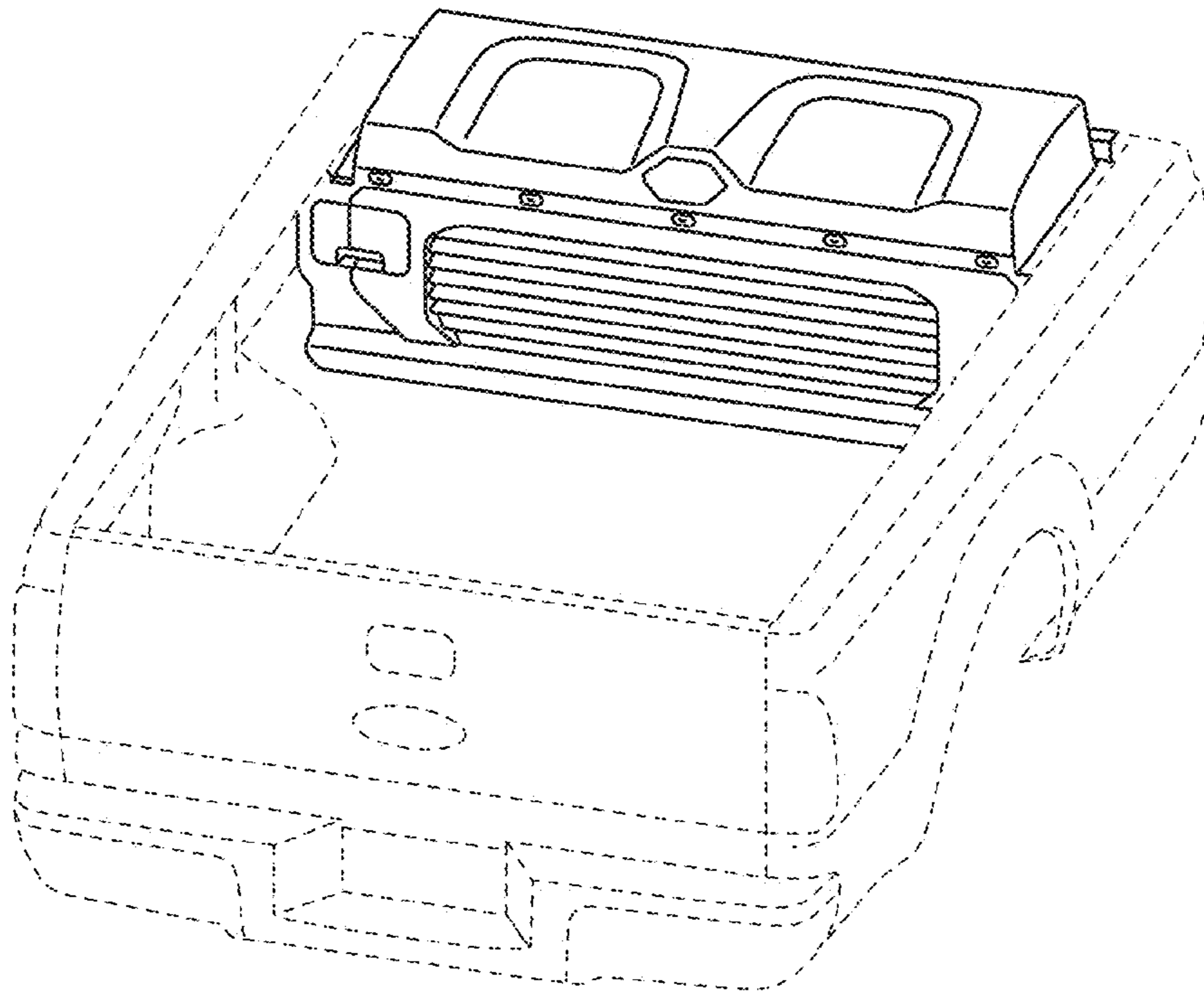


FIG. 1

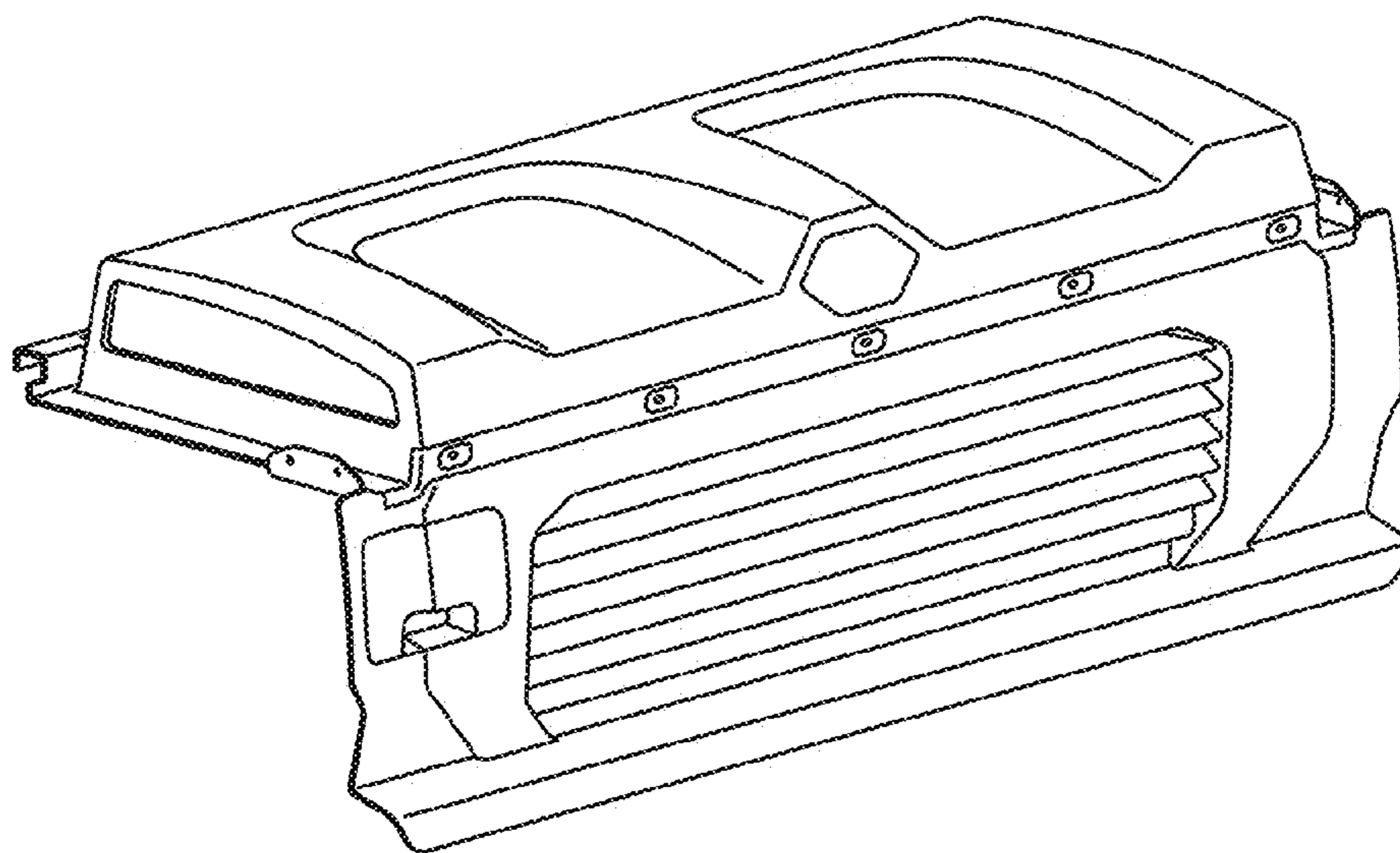


FIG. 2

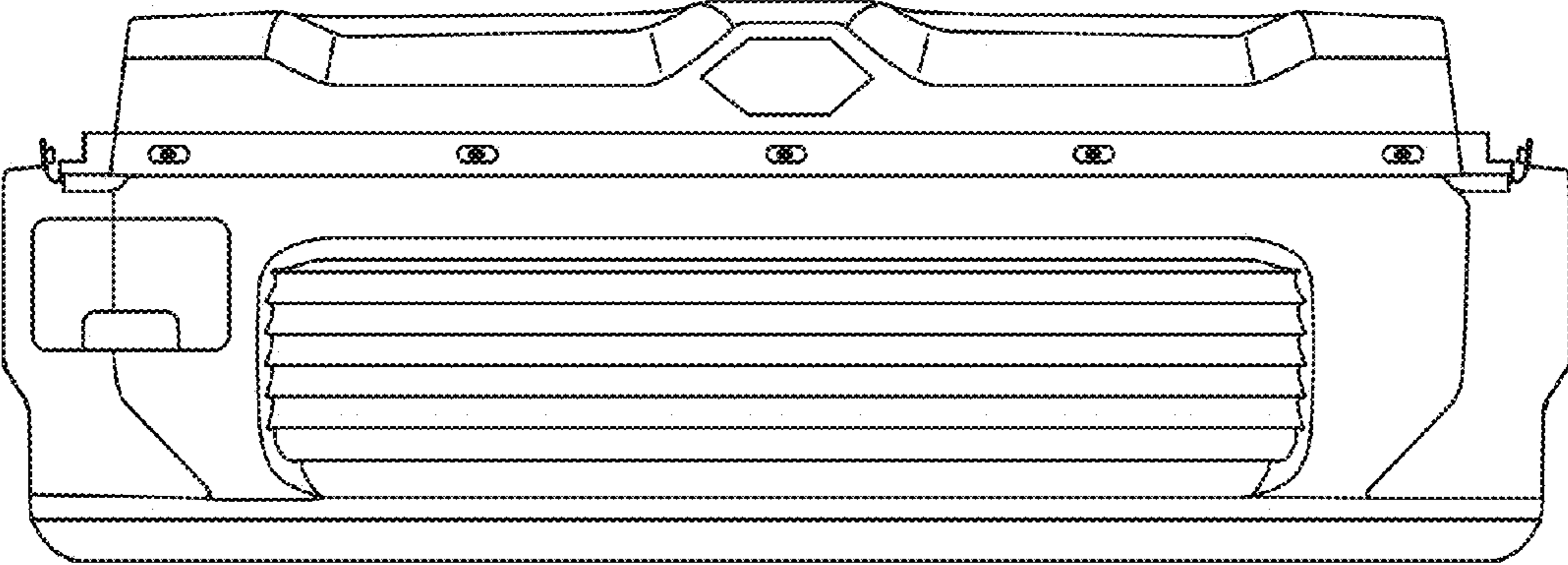


FIG. 3

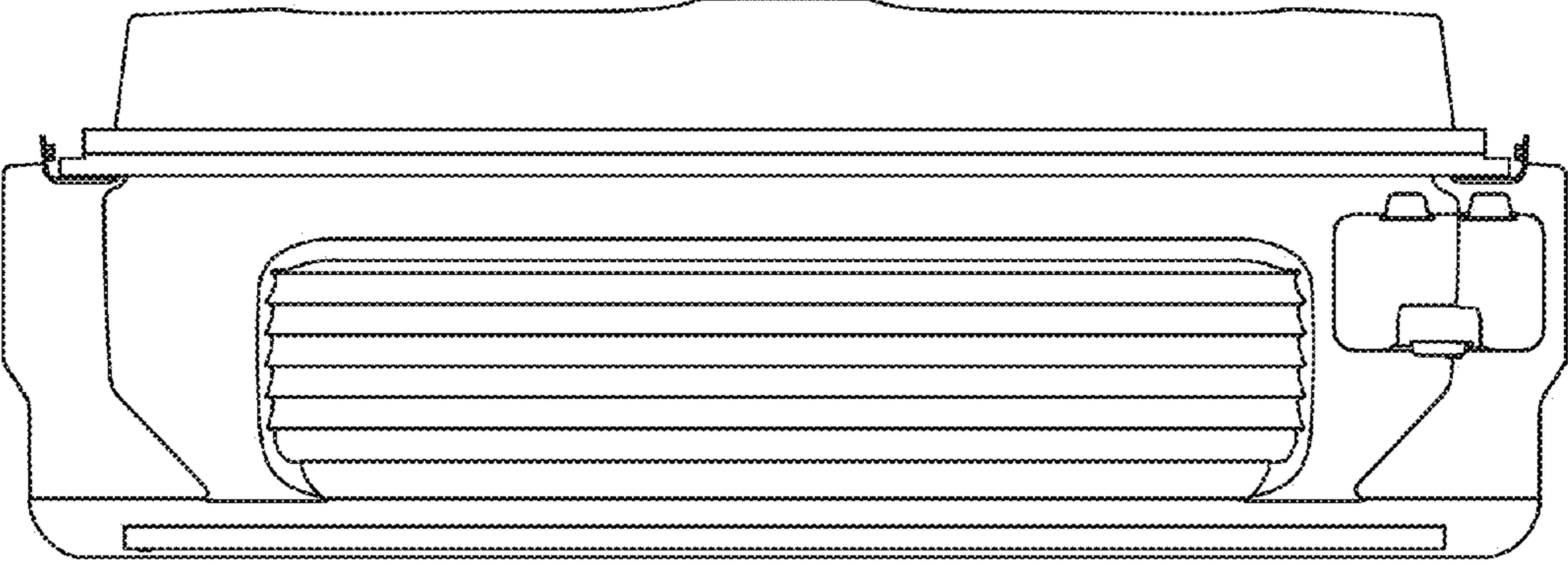


FIG. 4

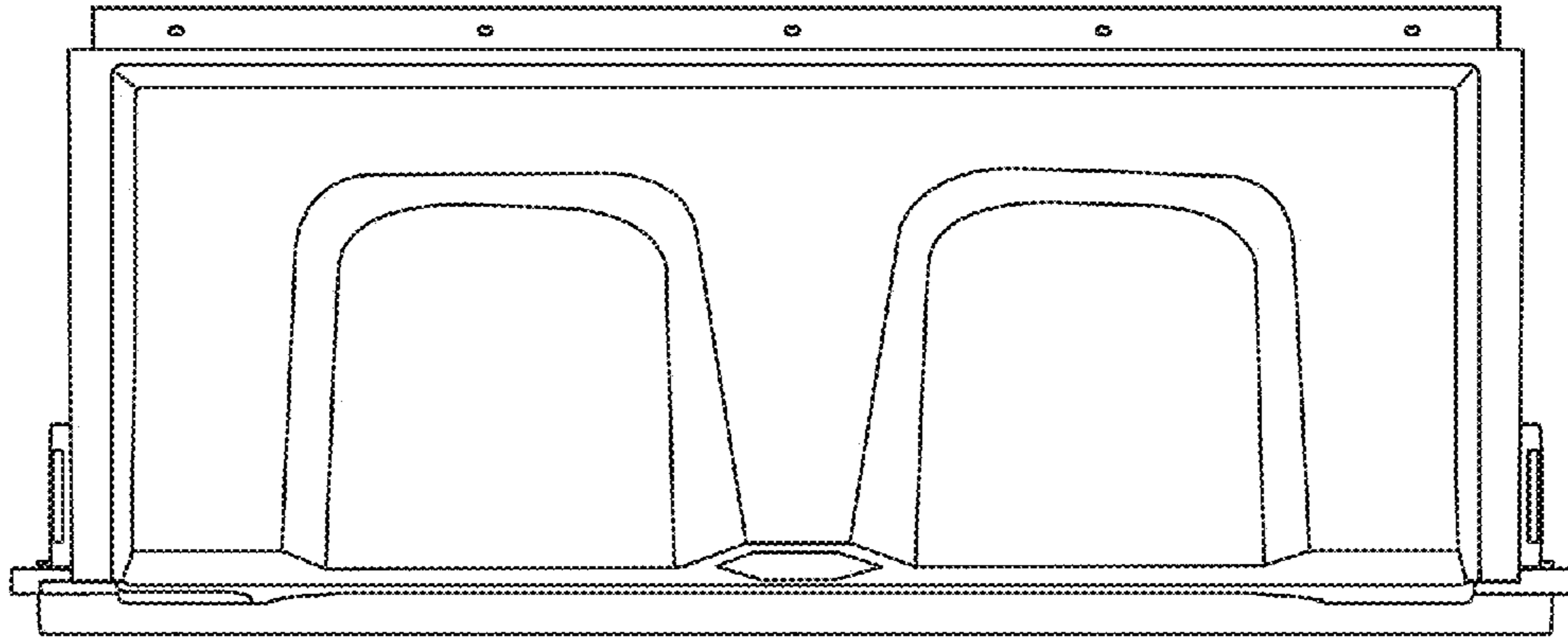


FIG. 5

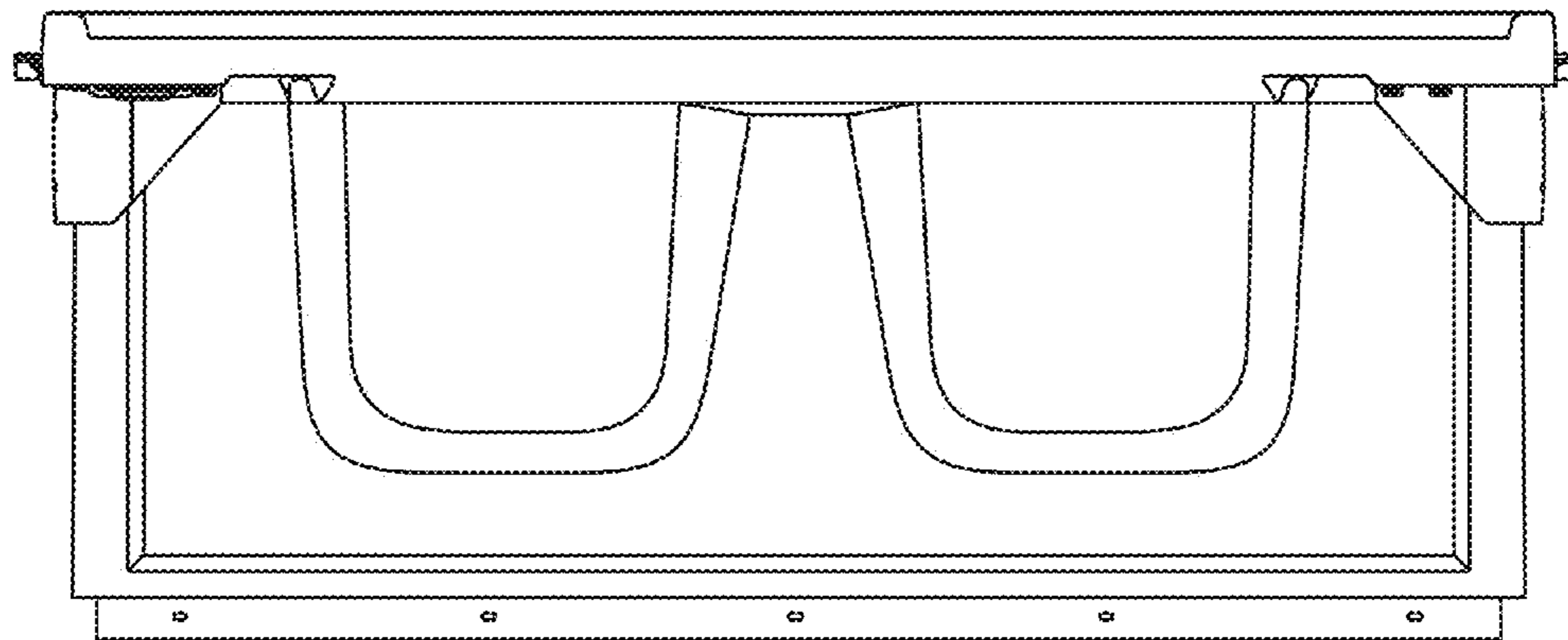


FIG. 6

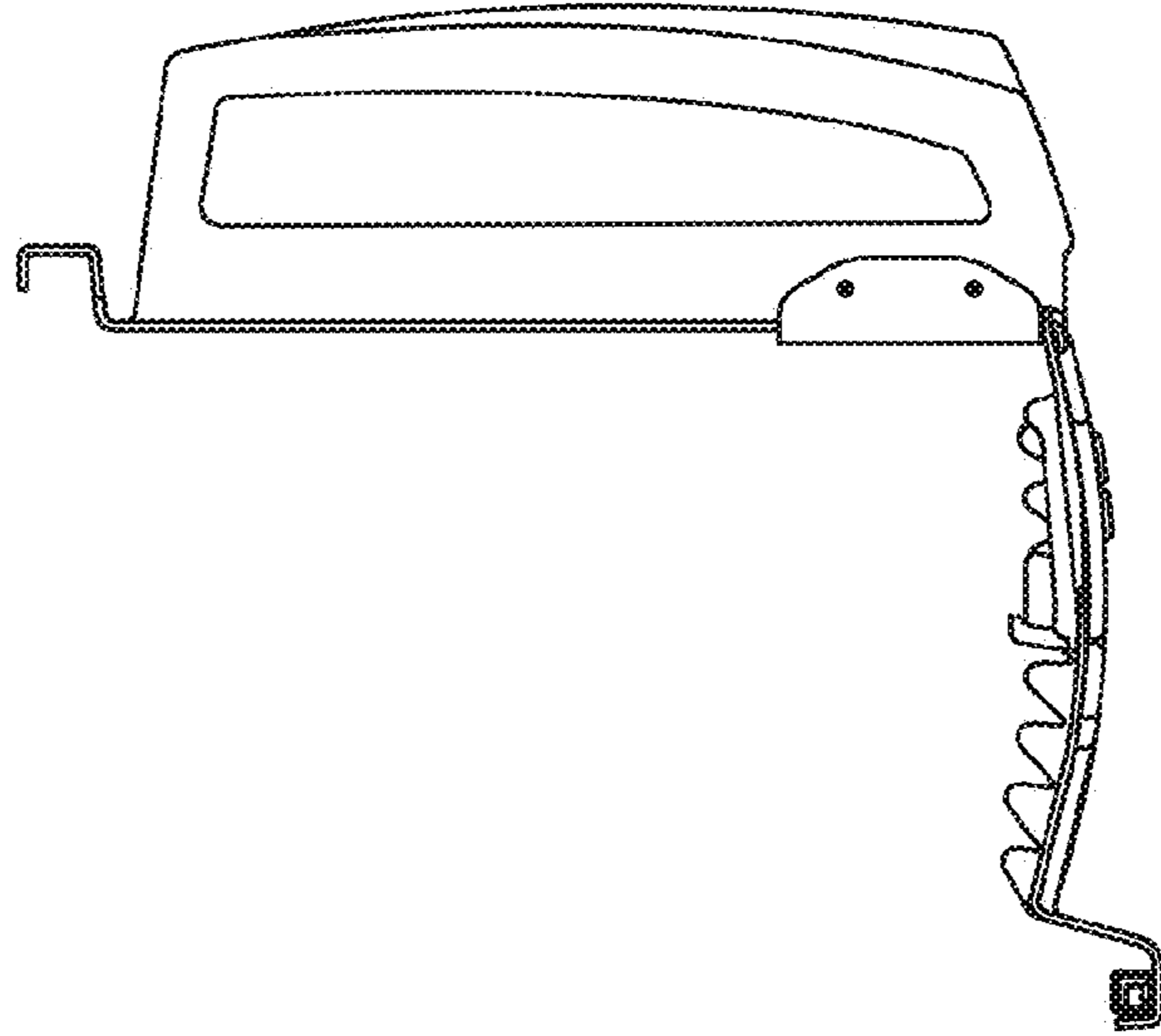


FIG. 7

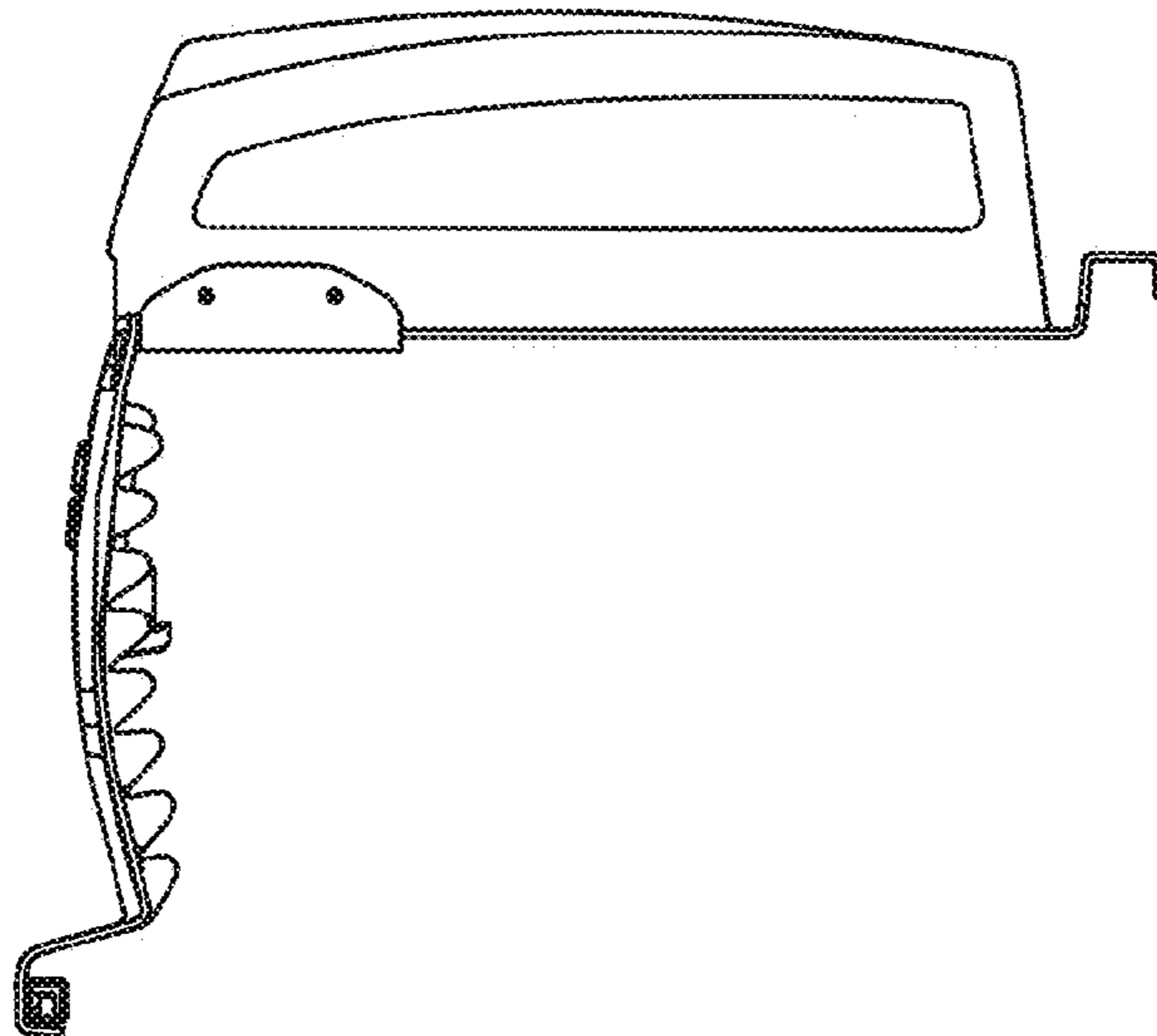


FIG. 8

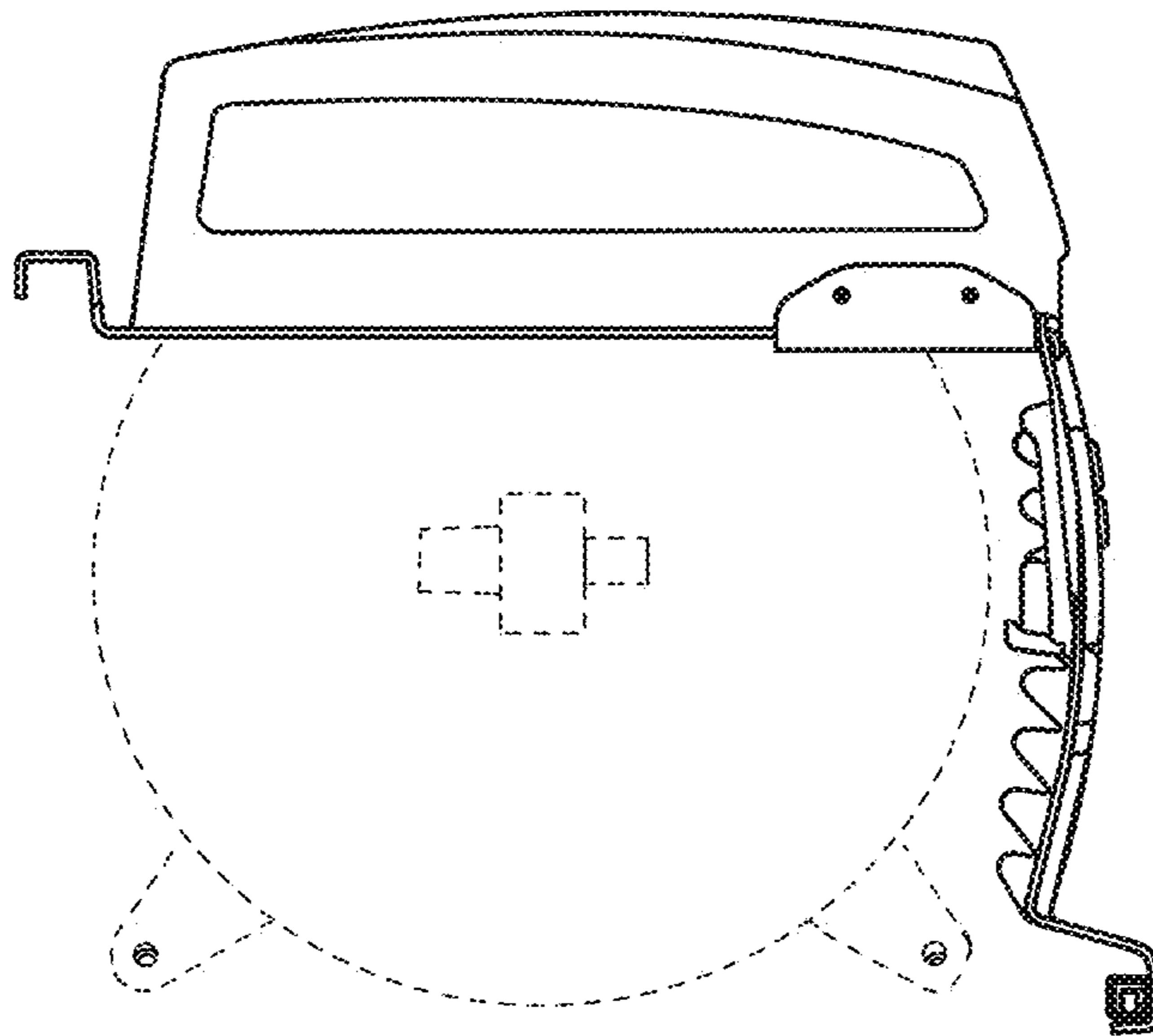


FIG. 9