



US00D717719S

(12) **United States Design Patent**
Sagen

(10) **Patent No.:** **US D717,719 S**

(45) **Date of Patent:** **** Nov. 18, 2014**

(54) **CARGO BOX**

(75) Inventor: **Jason Sagen**, Portland, OR (US)

(73) Assignee: **Hubco Automotive Limited**, Wellington (NZ)

(**) Term: **14 Years**

(21) Appl. No.: **29/431,858**

(22) Filed: **Sep. 11, 2012**

(51) **LOC (10) Cl.** **12-16**

(52) **U.S. Cl.**
USPC **D12/413**

(58) **Field of Classification Search**
USPC D12/413, 414, 406, 412, 414.4;
293/37.1, 3, 100; 224/309-310,
224/315-316, 323-329, 400; D6/552,
D6/317-319, 513-514; D3/304-306;
280/760-762, 848, 727, 769; 206/213,
206/8, 9, 279, 290, 713, 335, 315.1-315.4;
D32/35, 58; 296/99.1, 37.1, 100.02,
296/157

See application file for complete search history.

(56) **References Cited**

U.S. PATENT DOCUMENTS

D297,630 S	9/1988	Breger	
D297,631 S *	9/1988	Breger	D12/413
D342,049 S	12/1993	Harrison	
D412,881 S	8/1999	Behringer	
D419,954 S	2/2000	Bradt	
6,234,371 B1	5/2001	Sinn	
D462,312 S *	9/2002	Klein	D12/413

D489,674 S *	5/2004	Settelmayer et al.	D12/413
D515,016 S	2/2006	Gruner	
D519,914 S	5/2006	Klein	
D527,337 S	8/2006	Klein	
D543,929 S *	6/2007	D'Andrea et al.	D12/413
D575,723 S	8/2008	Gruner	
D590,762 S	4/2009	Gruner	
D593,928 S	6/2009	Gruner	
D595,215 S *	6/2009	Rasche	D12/413
D600,459 S	9/2009	Hanagan	
D630,157 S *	1/2011	Farber	D12/413
D642,970 S	8/2011	Elder et al.	
D656,082 S *	3/2012	Gruner	D12/413
8,757,457 B2 *	6/2014	Settelmayer et al.	224/328
2003/0205597 A1	11/2003	Ford et al.	

* cited by examiner

Primary Examiner — Katrina A Betton

(74) *Attorney, Agent, or Firm* — Kolisch Hartwell, P.C.

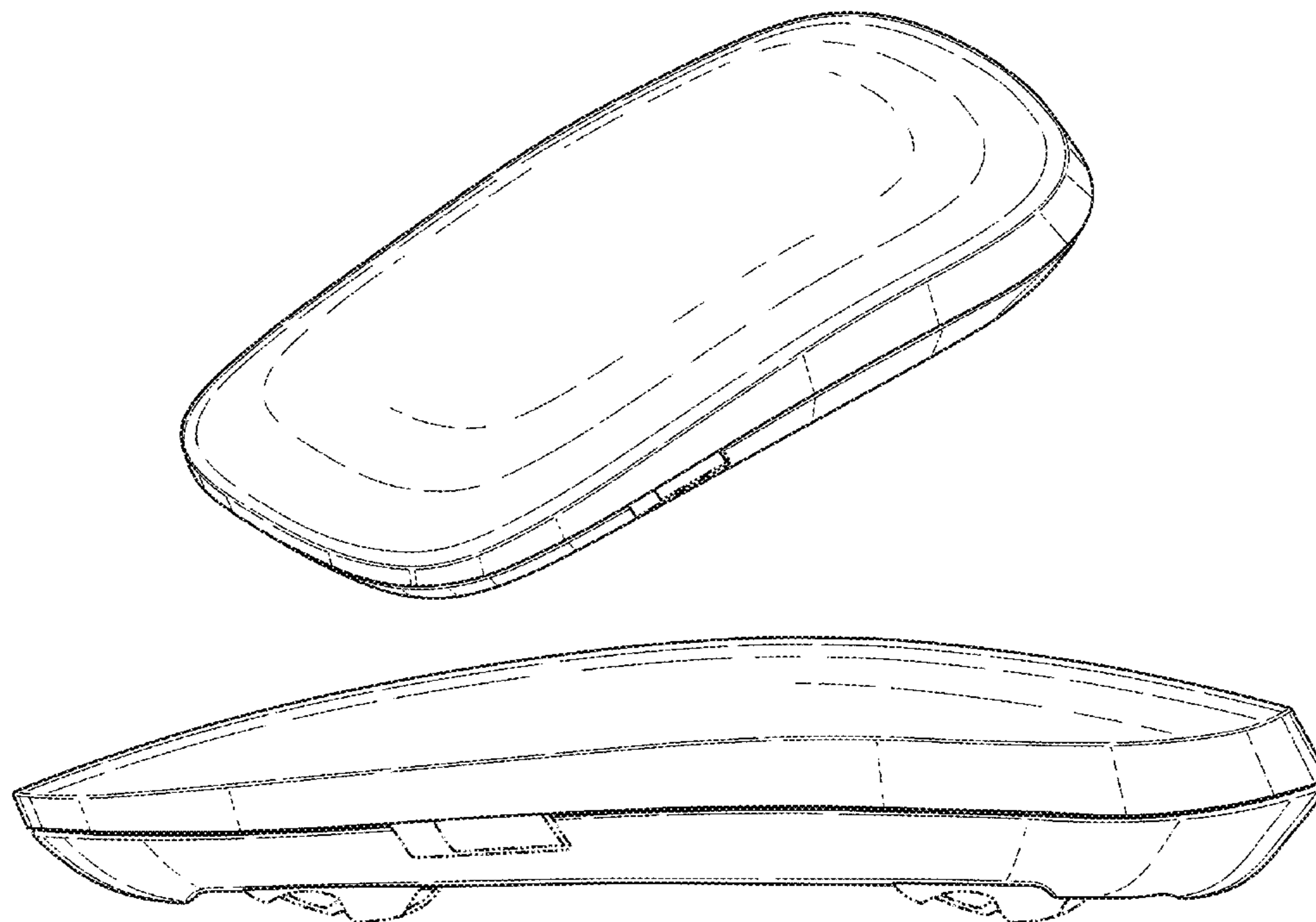
(57) **CLAIM**

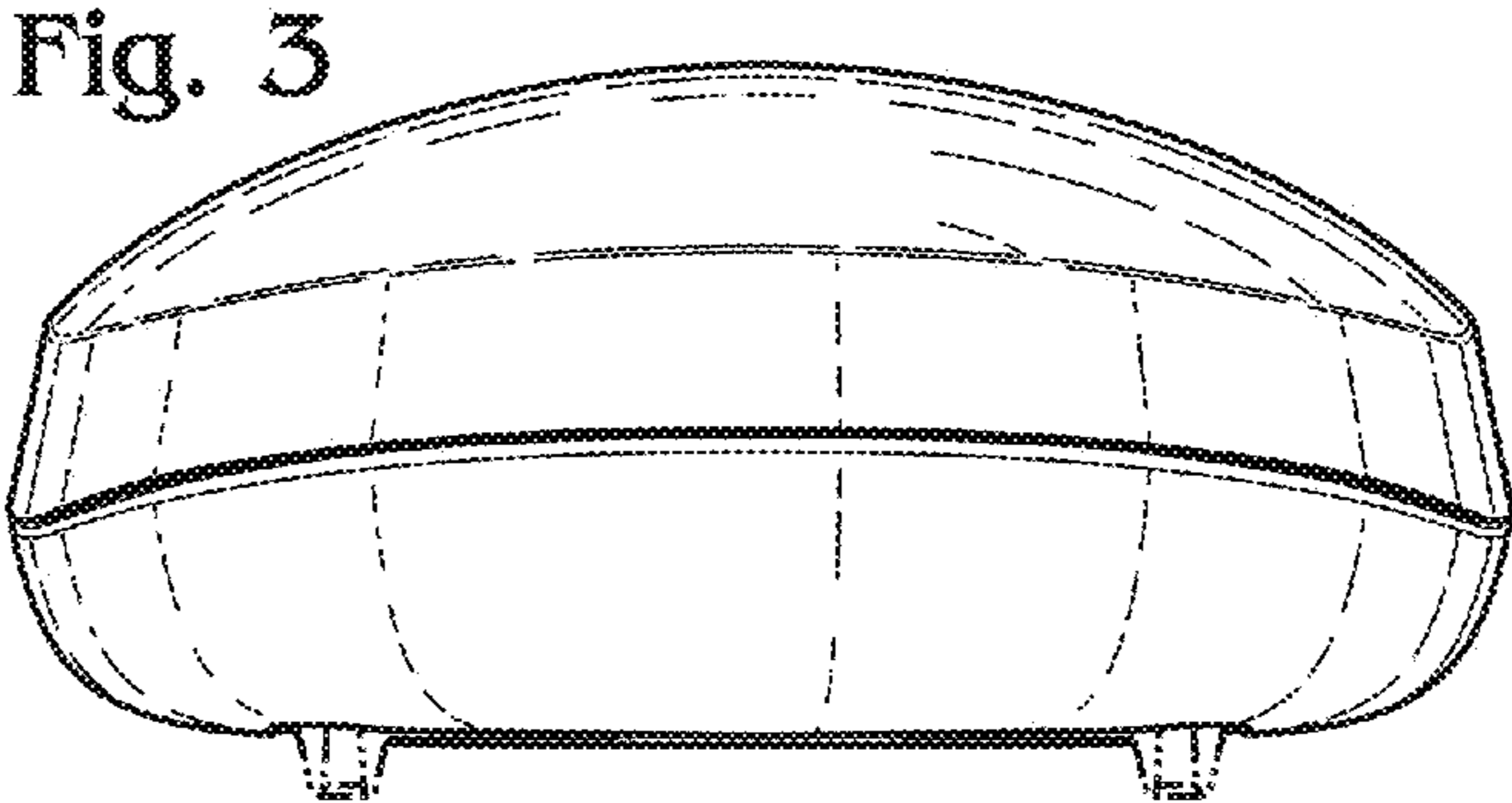
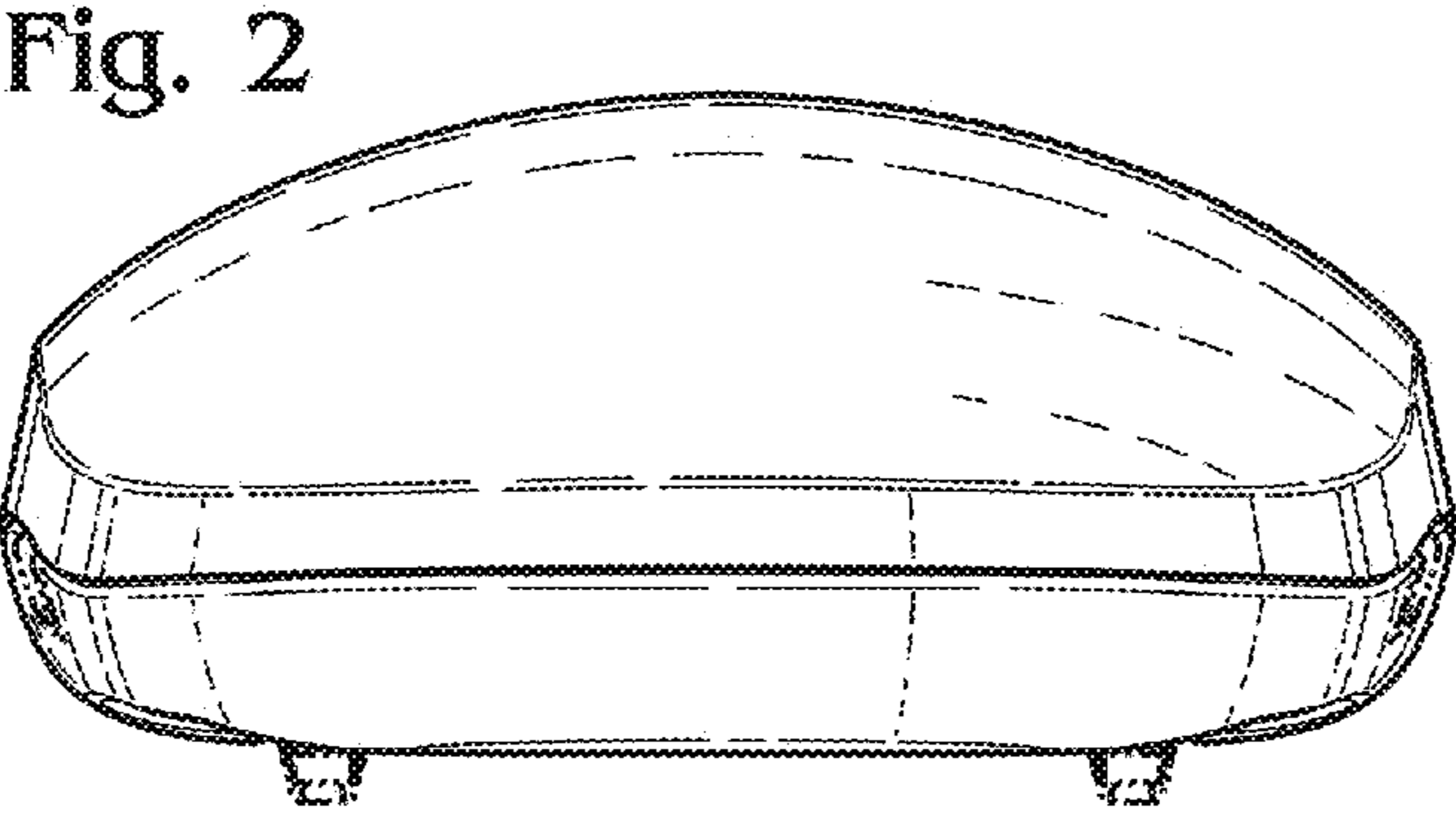
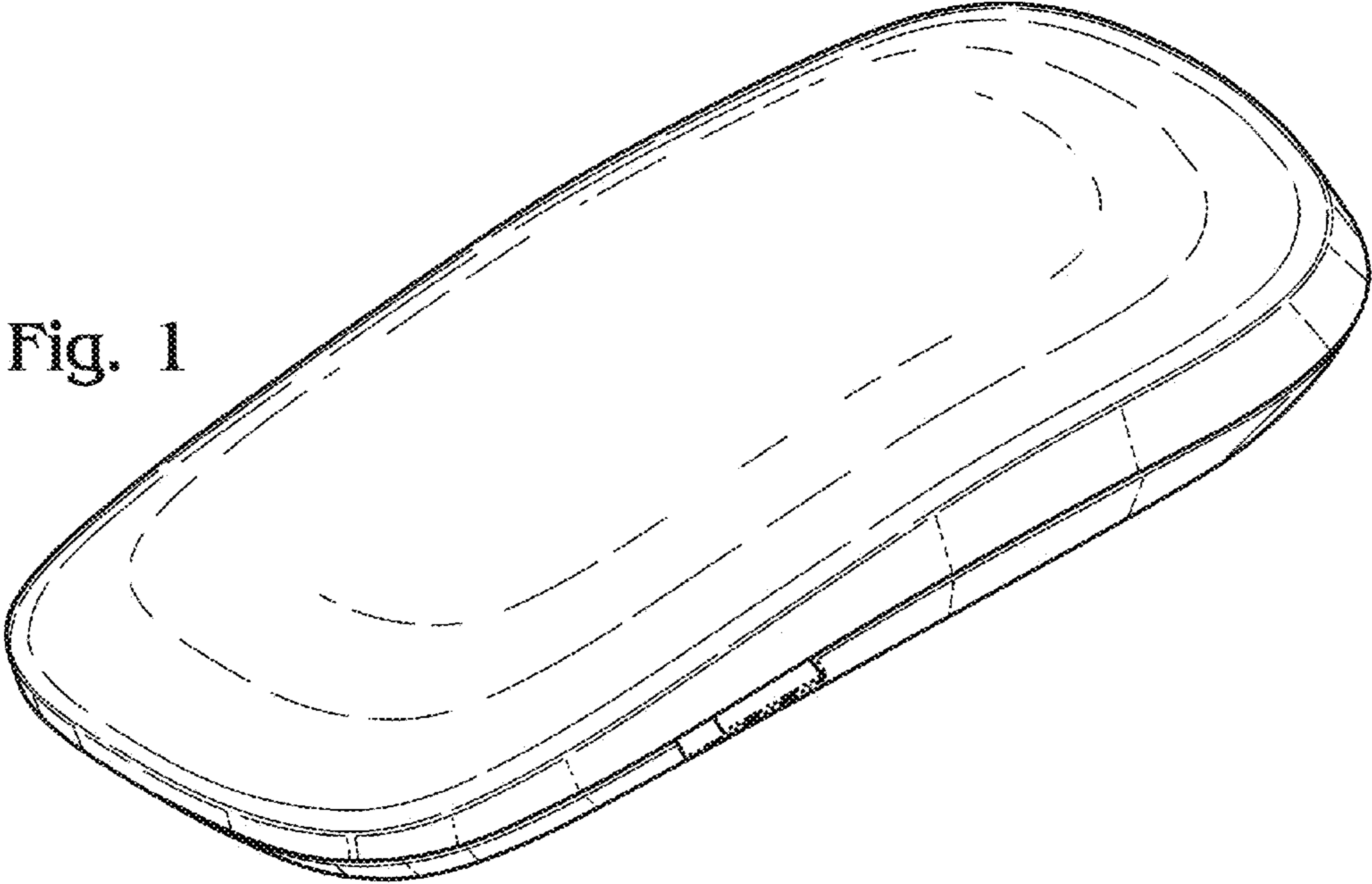
I claim the ornamental design for a cargo box, as shown and described.

DESCRIPTION

FIG. 1 is a top perspective view of a cargo box showing my new design;
FIG. 2 is a front view thereof;
FIG. 3 is a rear view thereof;
FIG. 4 is a side view thereof, the opposite side being identical thereto; and,
FIG. 5 is a top view thereof.
In the drawings, the broken lines depict portions of the article that form no part of the claimed design.

1 Claim, 2 Drawing Sheets





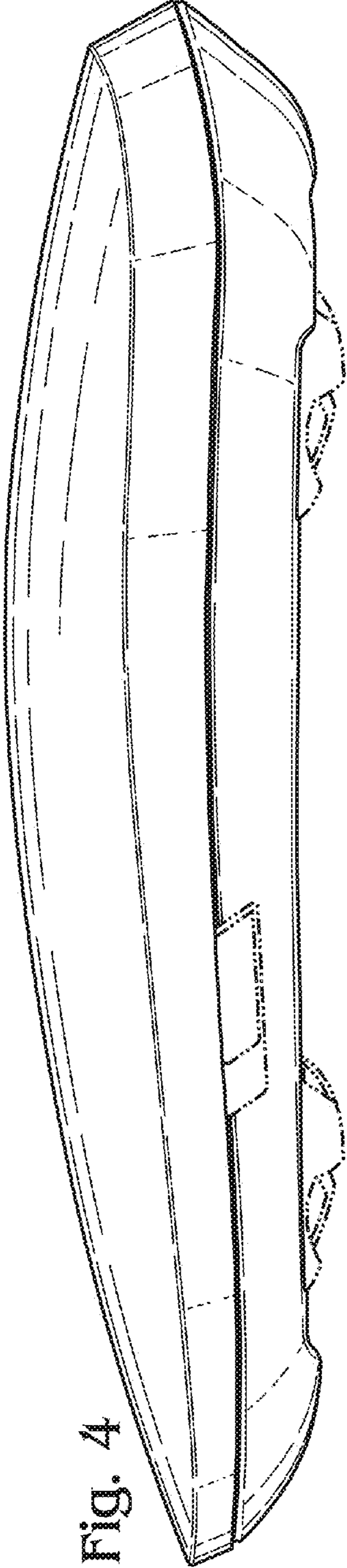


Fig. 4

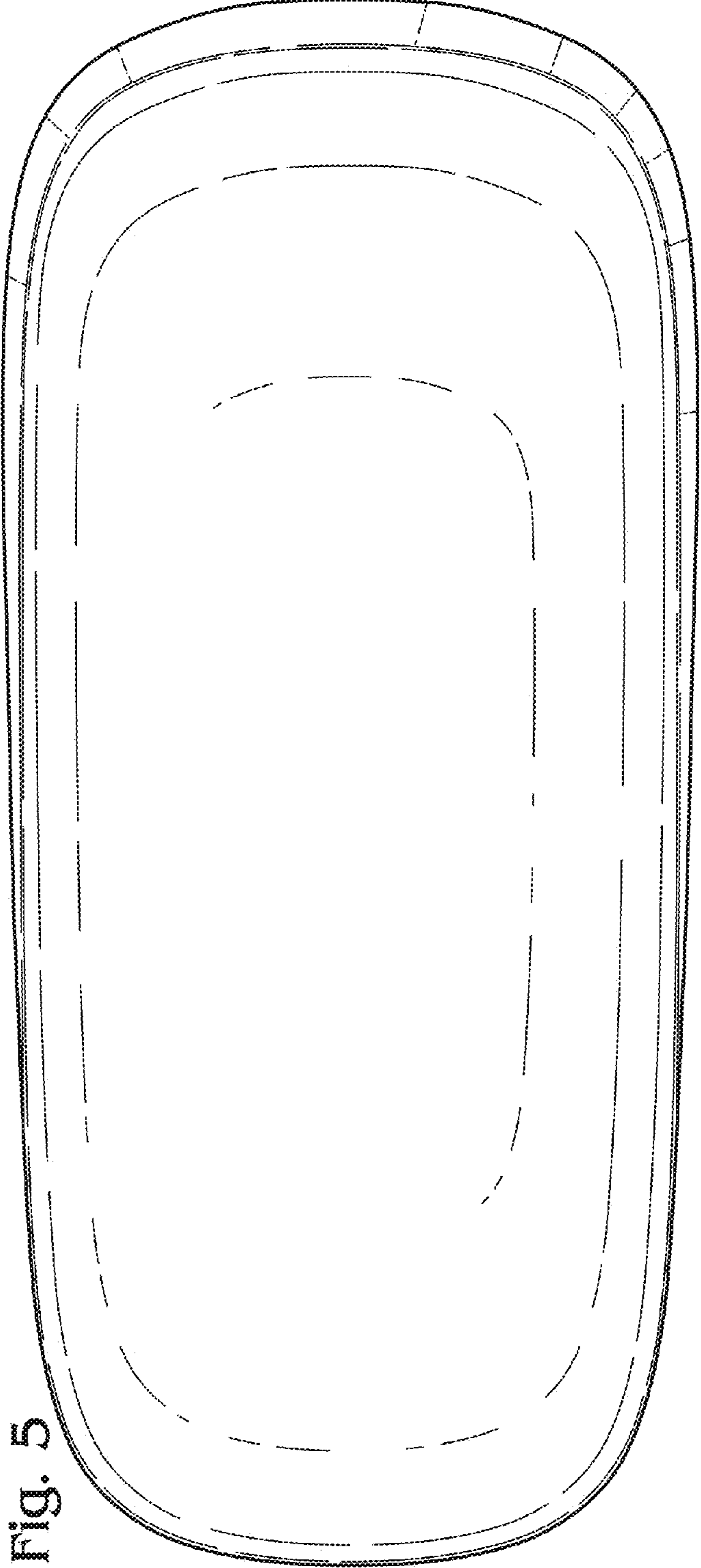


Fig. 5