



US00D717718S

(12) **United States Design Patent**  
**Williams**

(10) **Patent No.:** **US D717,718 S**

(45) **Date of Patent:** **\*\* Nov. 18, 2014**

(54) **TWIN TUBE HITCH RACK**

(71) Applicant: **Marty Williams**, Colorado Springs, CO  
(US)

(72) Inventor: **Marty Williams**, Colorado Springs, CO  
(US)

(\*\*) Term: **14 Years**

(21) Appl. No.: **29/481,890**

(22) Filed: **Feb. 11, 2014**

**Related U.S. Application Data**

(63) Continuation-in-part of application No. 13/352,315,  
filed on Jan. 17, 2012, now abandoned.

(51) **LOC (10) Cl.** ..... **12-16**

(52) **U.S. Cl.**  
USPC ..... **D12/408**

(58) **Field of Classification Search**  
CPC ..... B60R 9/048; B60R 9/06; B60R 9/10  
USPC ..... D12/111, 406, 407, 408, 412, 414;  
224/42.11, 314, 331, 329, 400, 412,  
224/419, 442.12, 451, 461, 488, 489, 495,  
224/497, 499, 500, 502, 504, 511-537, 924  
See application file for complete search history.

(56) **References Cited**

**U.S. PATENT DOCUMENTS**

D294,564 S \* 3/1988 Stoecker ..... D12/408  
D308,846 S \* 6/1990 Eckhart ..... D12/408  
5,067,641 A \* 11/1991 Johnson et al. .... 224/501  
D325,553 S \* 4/1992 Weiner et al. .... D12/408  
D337,087 S \* 7/1993 Peterman et al. .... D12/408

D377,334 S \* 1/1997 Weiler ..... D12/408  
6,386,407 B1 \* 5/2002 Erickson et al. .... 224/282  
6,988,645 B1 \* 1/2006 Nusbaum et al. .... 224/519  
D602,420 S \* 10/2009 Kuschmeider et al. .... D12/408  
D625,247 S \* 10/2010 Flaherty et al. .... D12/408  
D630,572 S \* 1/2011 Weaver et al. .... D12/408  
D669,016 S \* 10/2012 Pozzi ..... D12/408  
D687,762 S \* 8/2013 Weaver et al. .... D12/408

**FOREIGN PATENT DOCUMENTS**

EP 1285817 A2 \* 2/2003 ..... B60R 9/10  
JP 2002274275 A \* 9/2002 ..... B60R 9/10  
JP 2011225062 A \* 11/2011 ..... B60R 9/10

\* cited by examiner

*Primary Examiner* — Philip S Hyder

*Assistant Examiner* — Darlington Ly

(74) *Attorney, Agent, or Firm* — Tracy M. Helms; Apex  
Juris, pllc

(57) **CLAIM**

The ornamental design for a twin tube hitch rack, as shown  
and described.

**DESCRIPTION**

FIG. 1 is a perspective view of the twin tube hitch rack of the  
present invention;

FIG. 2 is a top plan view thereof;

FIG. 3 is a bottom plan view thereof;

FIG. 4 is a front elevation view thereof;

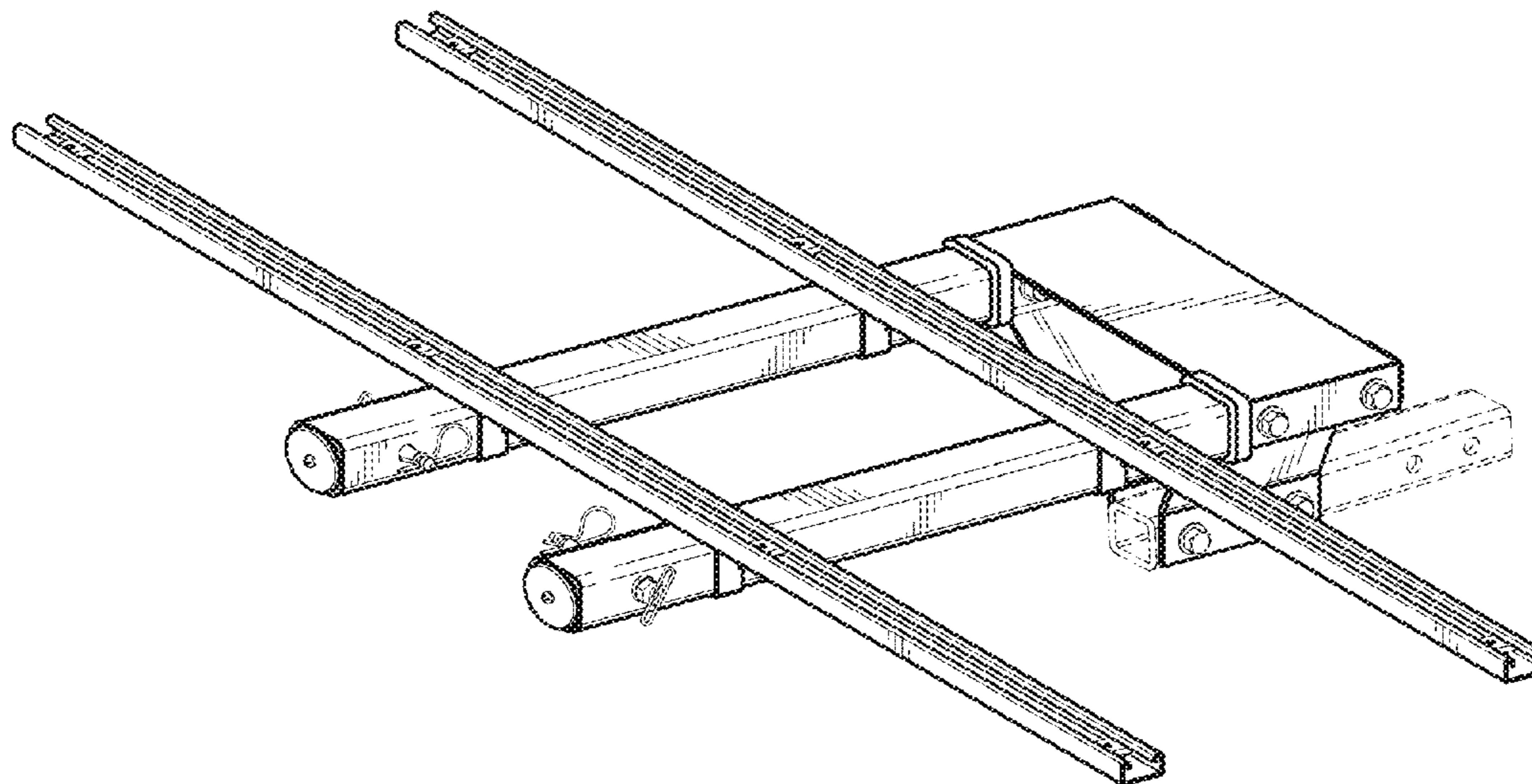
FIG. 5 is a rear elevation view thereof;

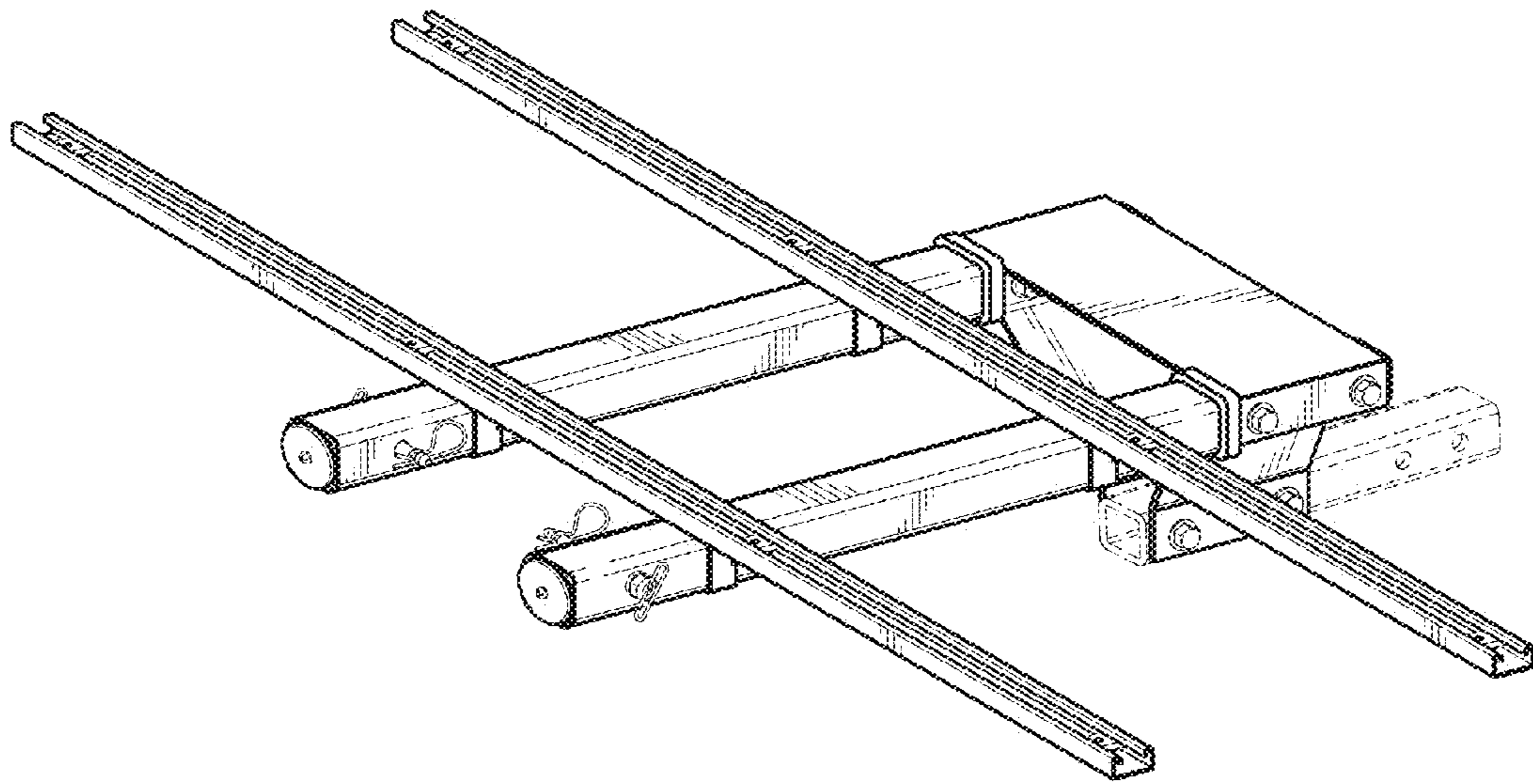
FIG. 6 is a right-side elevation view thereof; and,

FIG. 7 is a left-side elevation view thereof.

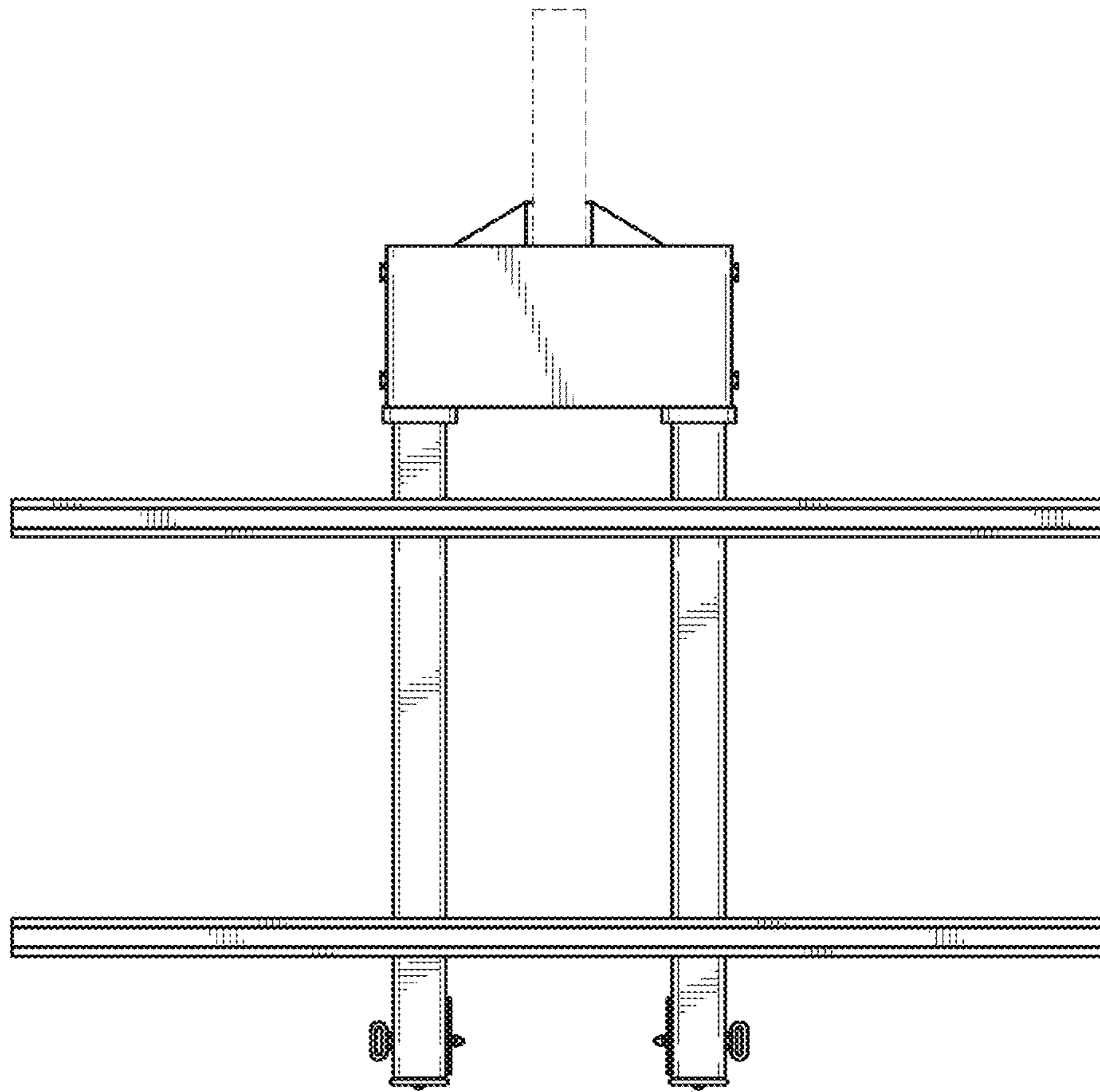
The broken lines illustrate unclaimed environmental struc-  
ture.

**1 Claim, 4 Drawing Sheets**

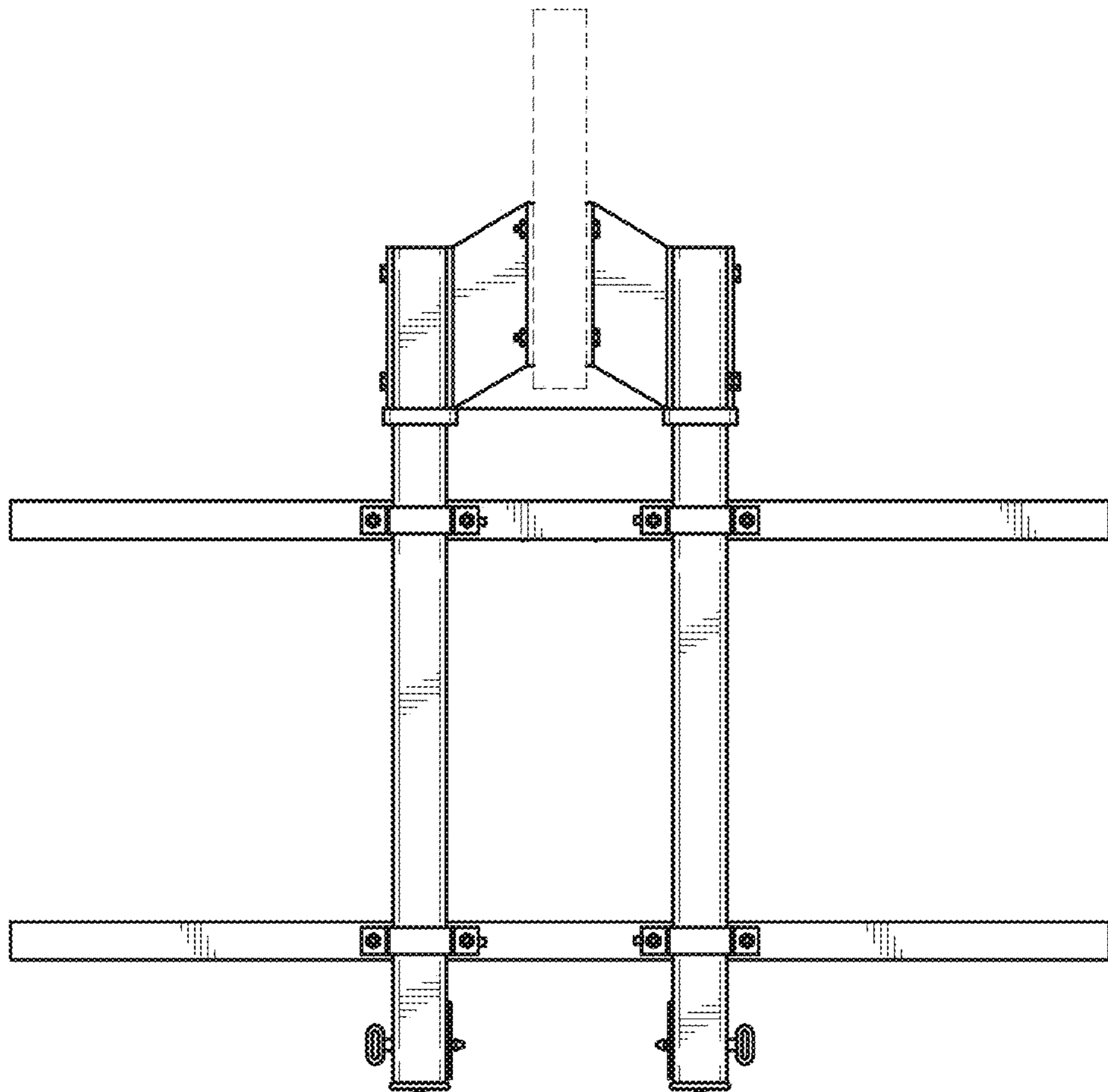




*FIG. 1*



*FIG. 2*



*FIG. 3*

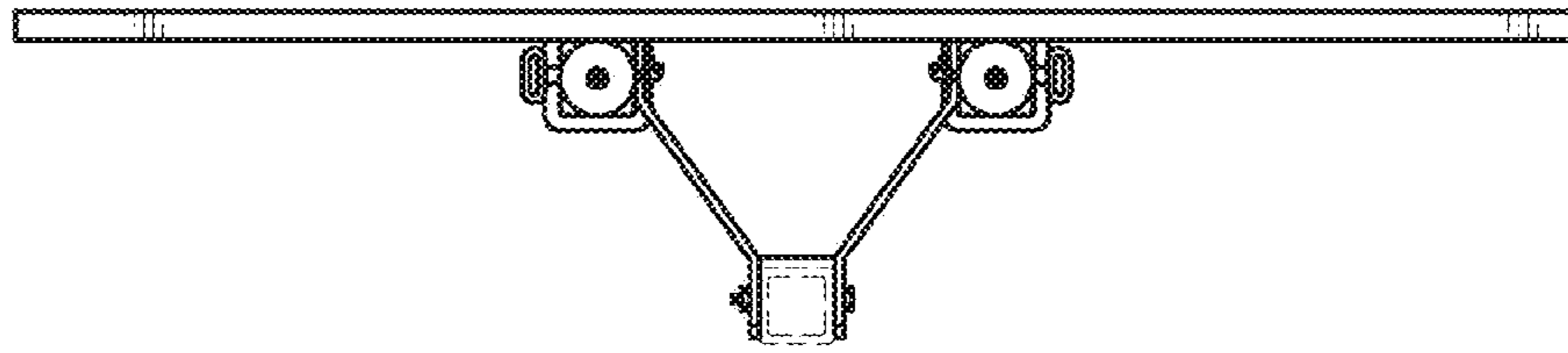


FIG. 4

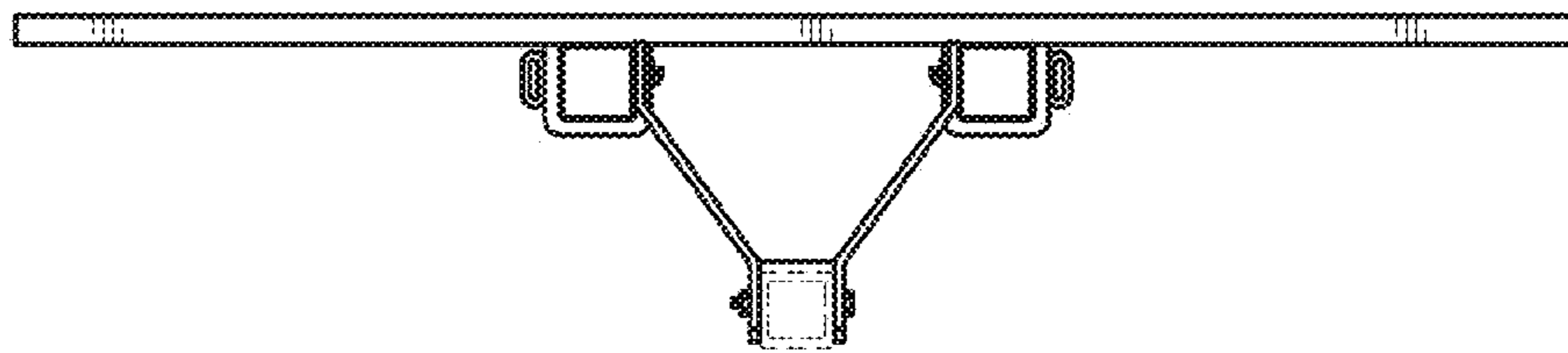


FIG. 5

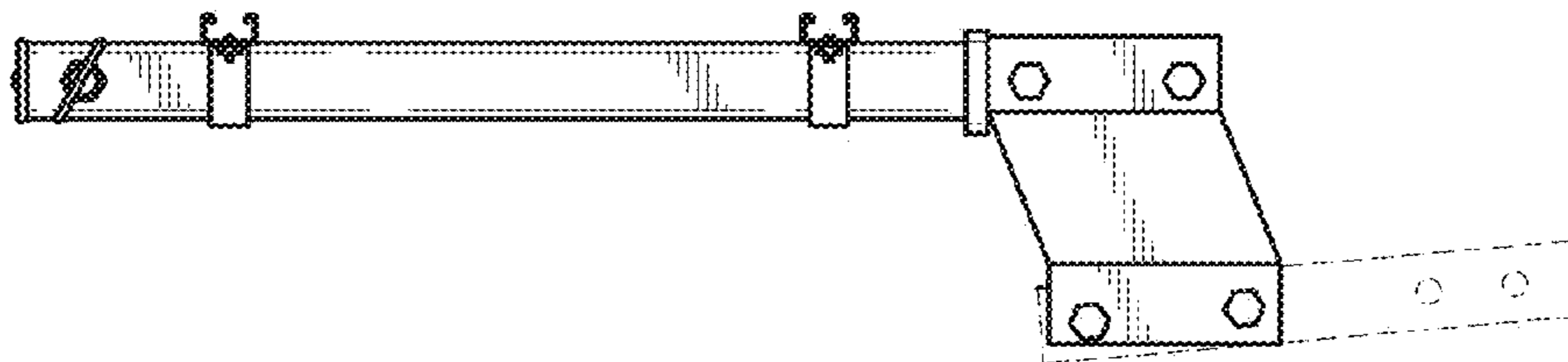


FIG. 6

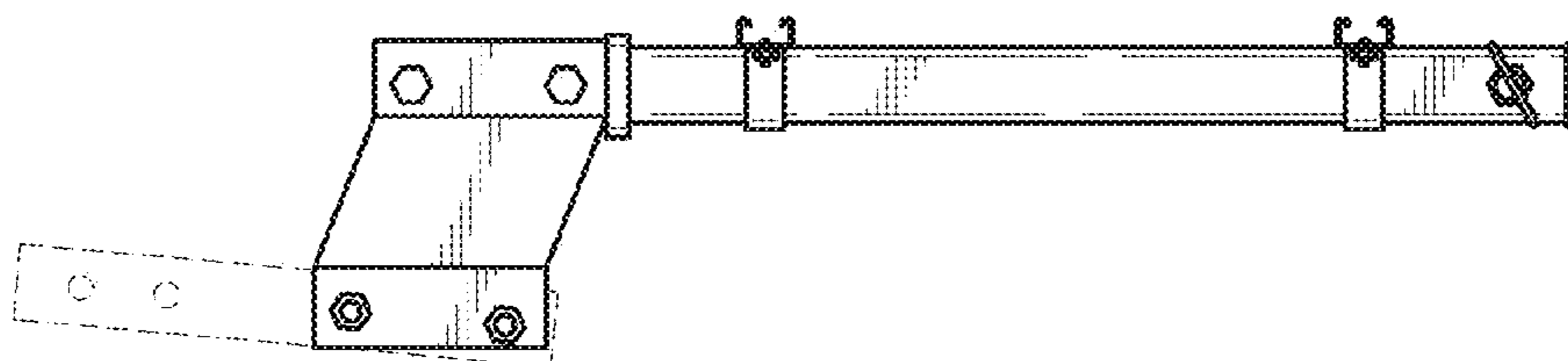


FIG. 7