



US00D717717S

(12) **United States Design Patent**
Williams

(10) **Patent No.:** **US D717,717 S**
(45) **Date of Patent:** **** Nov. 18, 2014**

(54) **V FOLDING WINGS BICYCLE CARRIER**
(71) Applicant: **Marty Williams**, Colorado Springs, CO
(US)
(72) Inventor: **Marty Williams**, Colorado Springs, CO
(US)

6,662,983 B2 12/2003 Lane et al.
6,695,185 B2 2/2004 Church
6,971,565 B2 * 12/2005 Wang 224/497
D623,117 S * 9/2010 Farber D12/408
7,815,083 B2 * 10/2010 Clausen et al. 224/501
D628,141 S * 11/2010 Weaver et al. D12/408
D663,676 S * 7/2012 Loken et al. D12/408

(Continued)

(**) Term: **14 Years**
(21) Appl. No.: **29/459,234**
(22) Filed: **Jun. 27, 2013**

FOREIGN PATENT DOCUMENTS

DE 3900569 A1 7/1990
EP 1273479 A1 * 1/2003 B60R 9/10

(Continued)

Related U.S. Application Data

(63) Continuation of application No. 11/697,294, filed on
Apr. 5, 2007.
(51) **LOC (10) Cl.** **12-16**
(52) **U.S. Cl.**
USPC **D12/408**
(58) **Field of Classification Search**
USPC D12/111, 406, 407, 408, 412, 414;
224/42.11, 314, 331, 329, 400, 412,
224/419, 442.12, 451, 461, 488, 489, 495,
224/497, 499, 500, 502, 504, 511-537, 924
See application file for complete search history.

Primary Examiner — Philip S Hyder

Assistant Examiner — Darlington Ly

(74) *Attorney, Agent, or Firm* — Tracy M. Heims; Apex
Juris, PLLC

(57) **CLAIM**

The ornamental design for a V folding wings bicycle carrier,
as shown and described.

DESCRIPTION

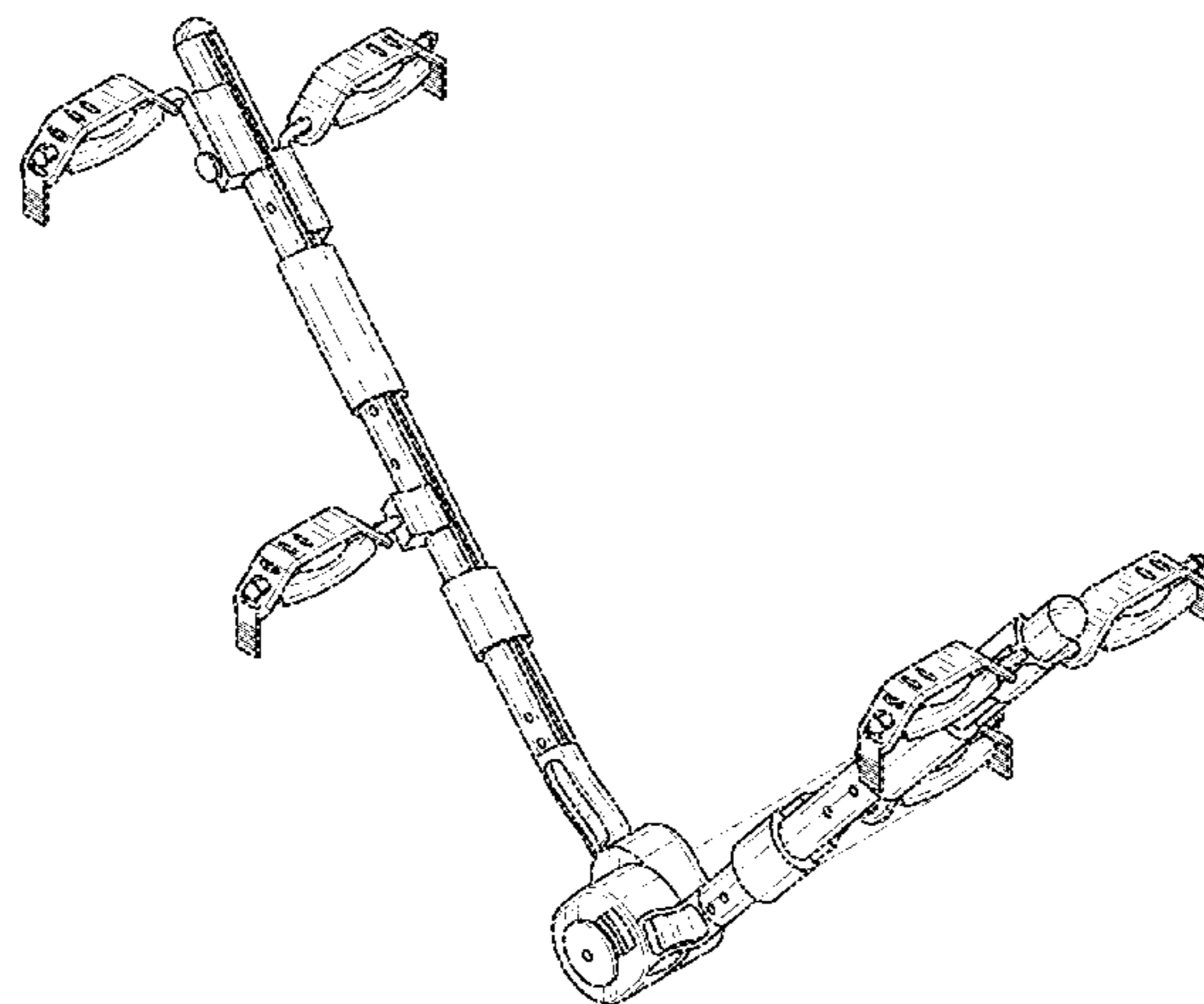
FIG. 1 is a top and front perspective view of the V folding
wings bicycle carrier;
FIG. 2 is an exploded top and front view thereof;
FIG. 3 is a front elevation view thereof, wherein a bicycle is
shown attached thereto and the middle clamps are located
lower along the wing's span;
FIG. 4 is a front elevation view thereof, wherein the middle
clamps are located lower along the wing's span;
FIG. 5 is a rear elevation view thereof;
FIG. 6 is a side elevation view thereof;
FIG. 7 is a top plan view thereof; and,
FIG. 8 is a bottom plan view thereof.
The broken lines shown in the drawings illustrate environ-
mental structure and portions of the V folding wings bicycle
carrier that forms no part of the claimed design.

(56) **References Cited**

U.S. PATENT DOCUMENTS

640,736 A 1/1900 Biester
3,204,839 A 9/1965 Yuda et al.
4,203,494 A * 5/1980 Hansen 172/166
5,096,102 A 3/1992 Tolson
5,181,222 A 1/1993 Duarte
5,181,822 A 1/1993 Allsop et al.
D336,876 S * 6/1993 Warnelov D12/408
5,373,978 A 12/1994 Buttchen et al.
5,497,927 A 3/1996 Peterson
5,820,004 A 10/1998 Lane
5,950,892 A * 9/1999 Tsai 224/520
6,089,428 A 7/2000 Wagner

1 Claim, 8 Drawing Sheets



(56)

References Cited

FOREIGN PATENT DOCUMENTS

U.S. PATENT DOCUMENTS

D671,883 S * 12/2012 Farber D12/408
D672,704 S * 12/2012 Grago D12/408
D684,917 S * 6/2013 Williams D12/408
2011/0240700 A1* 10/2011 Williams 224/518
2014/0060513 A1* 3/2014 Tulpa 124/86

EP 2189333 A1 * 5/2010 B60R 9/10
FR 2809063 A1 * 11/2001 B60R 9/10
GB 2235909 A 3/1991
GB 2363772 A 1/2002
JP 2011225062 A * 11/2011 B60R 9/10

* cited by examiner

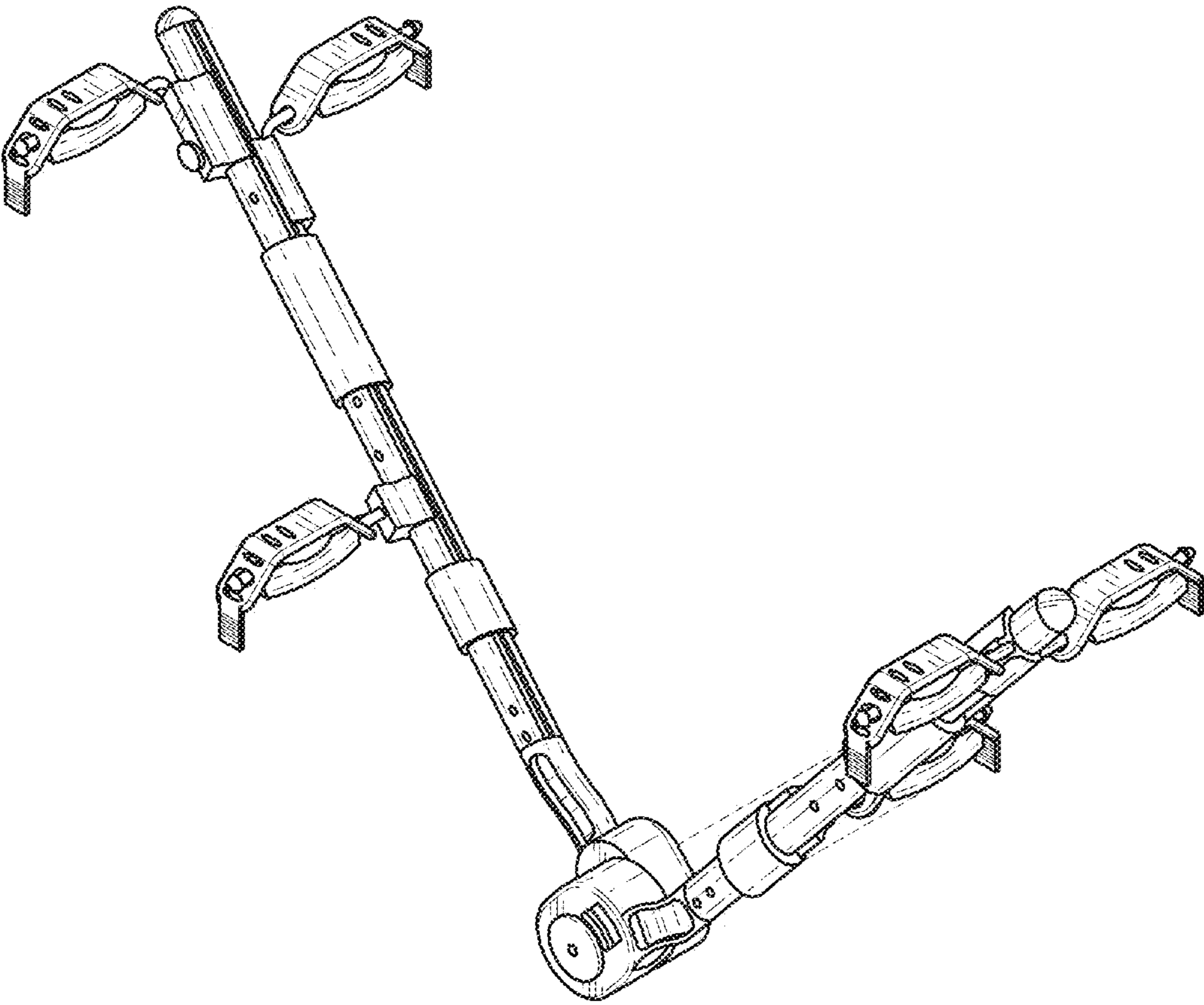


FIG. 1

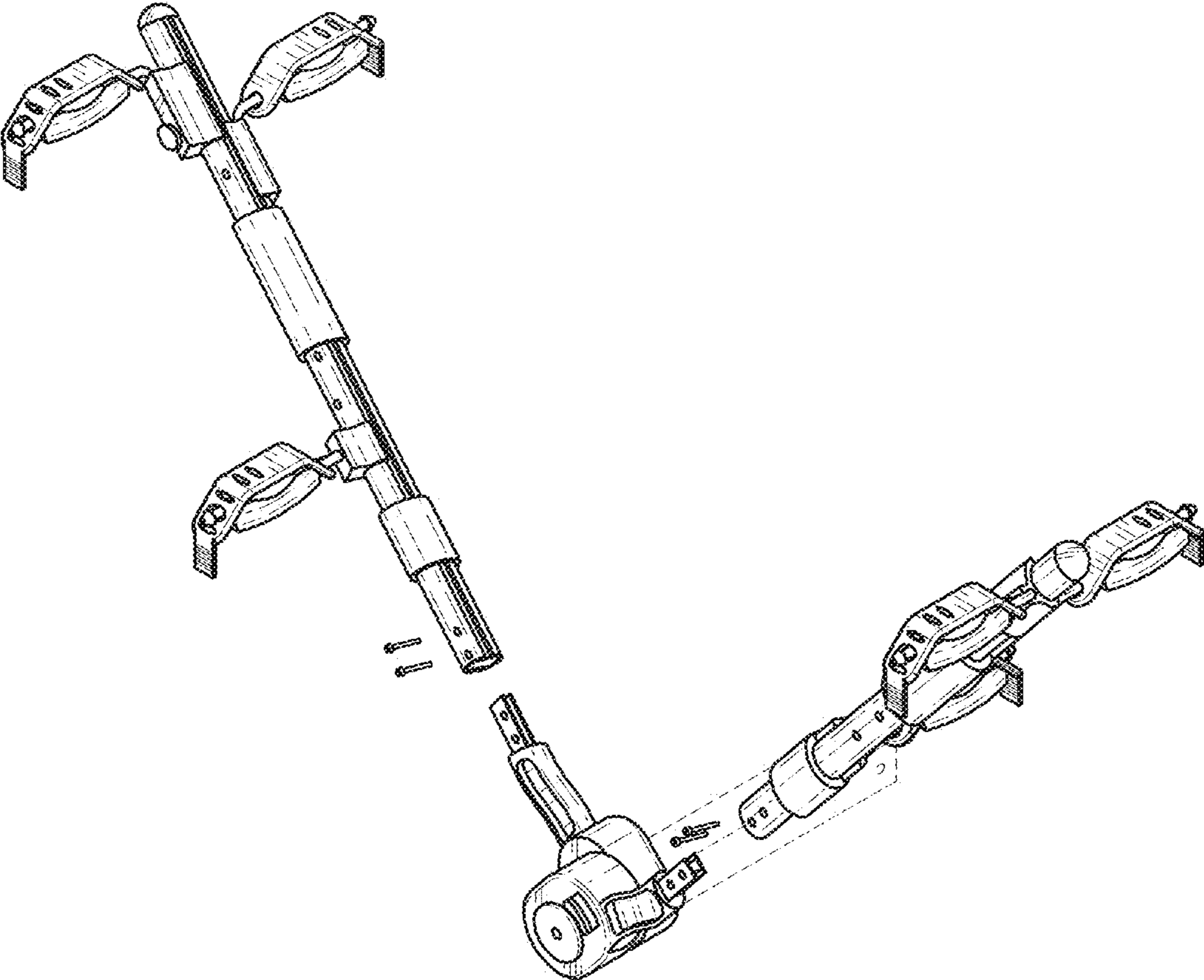


FIG. 2

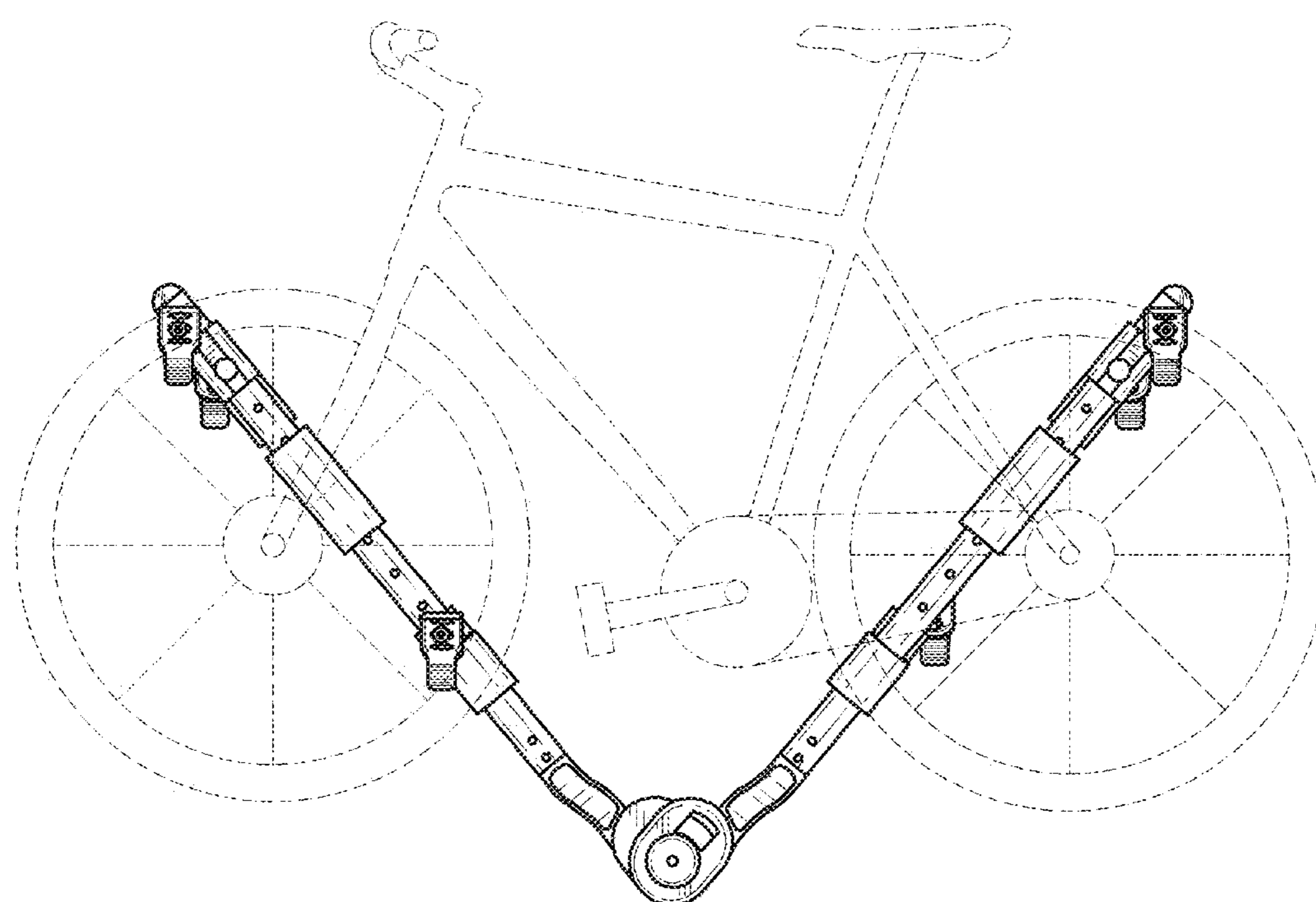


FIG. 3

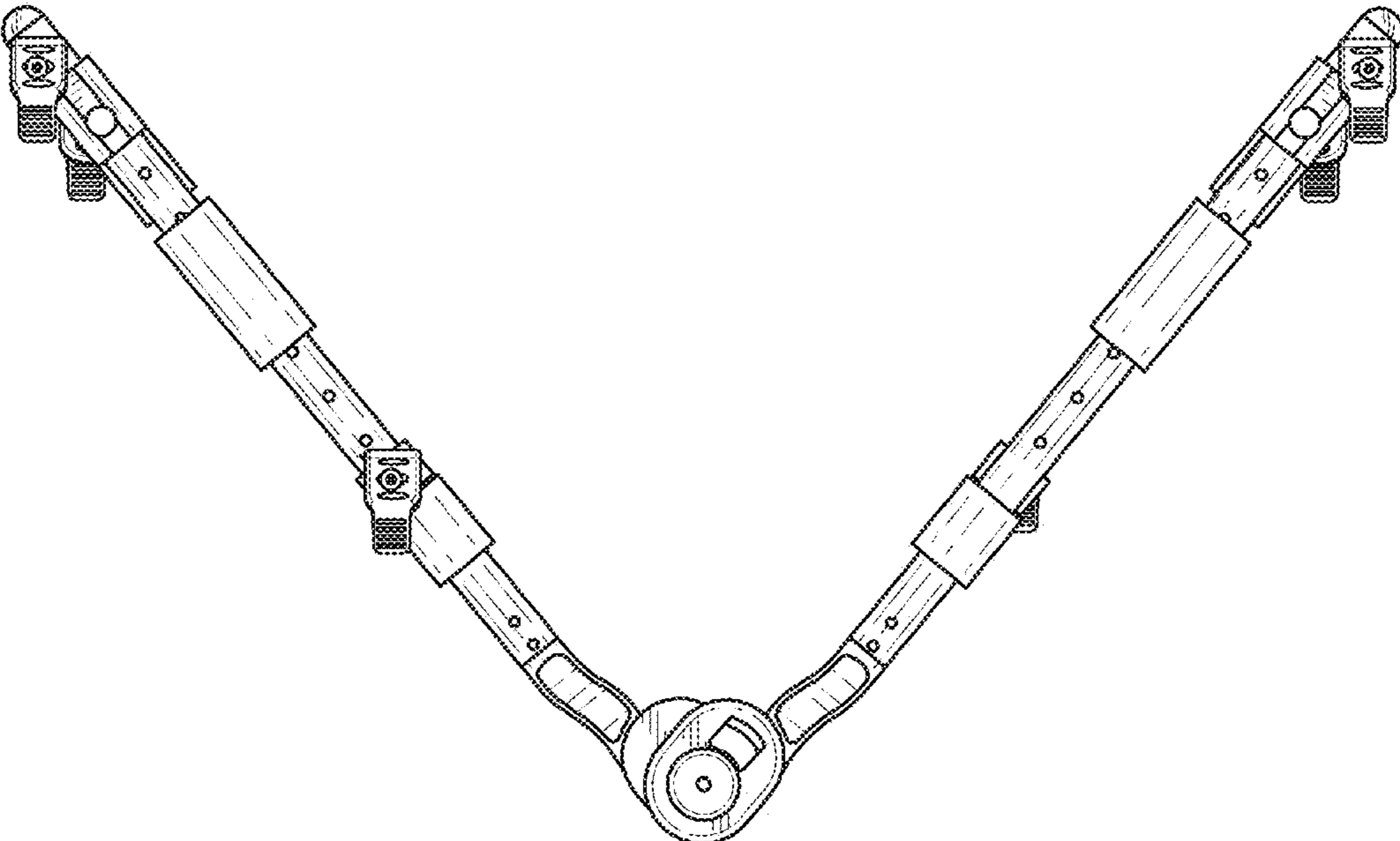


FIG. 4

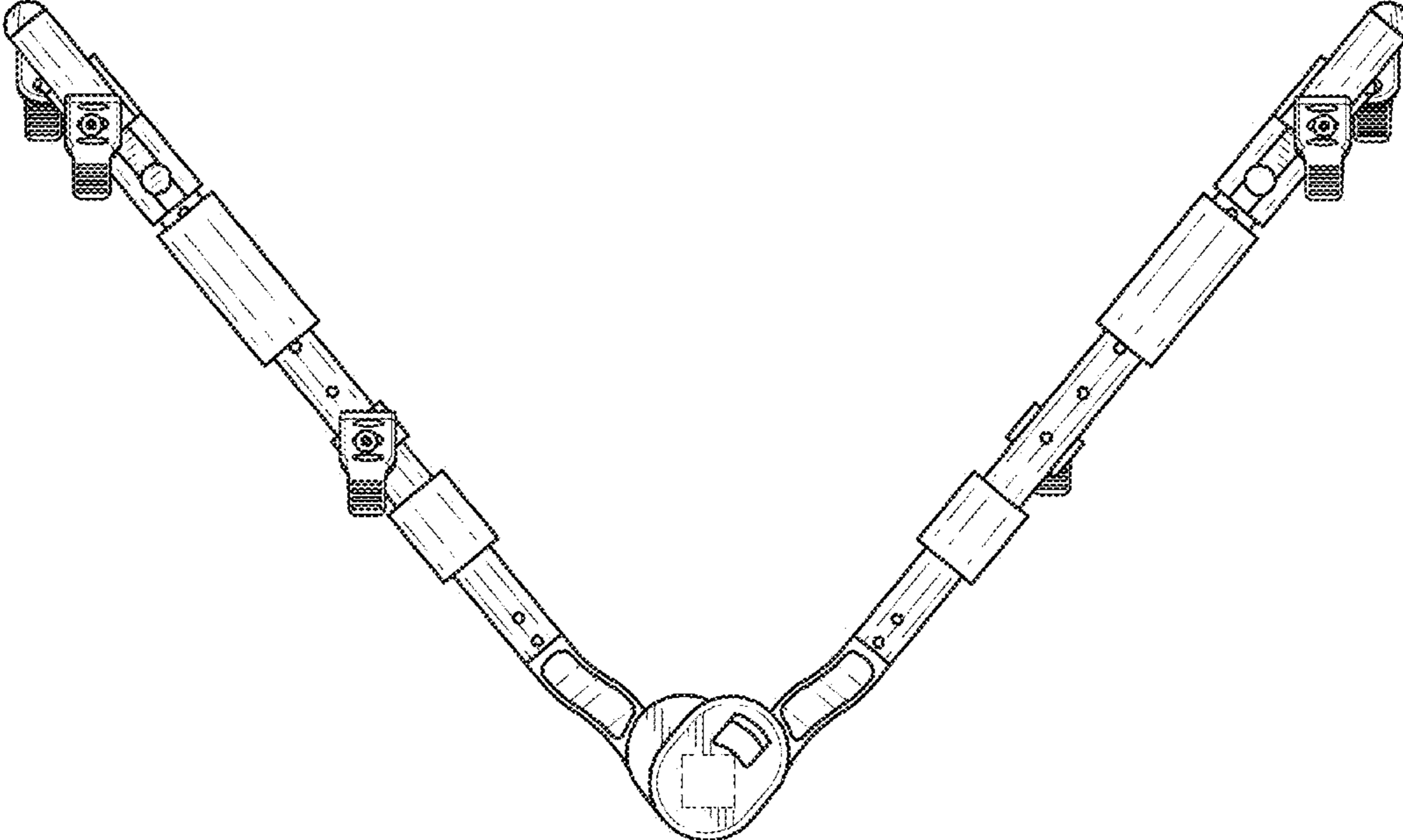


FIG. 5

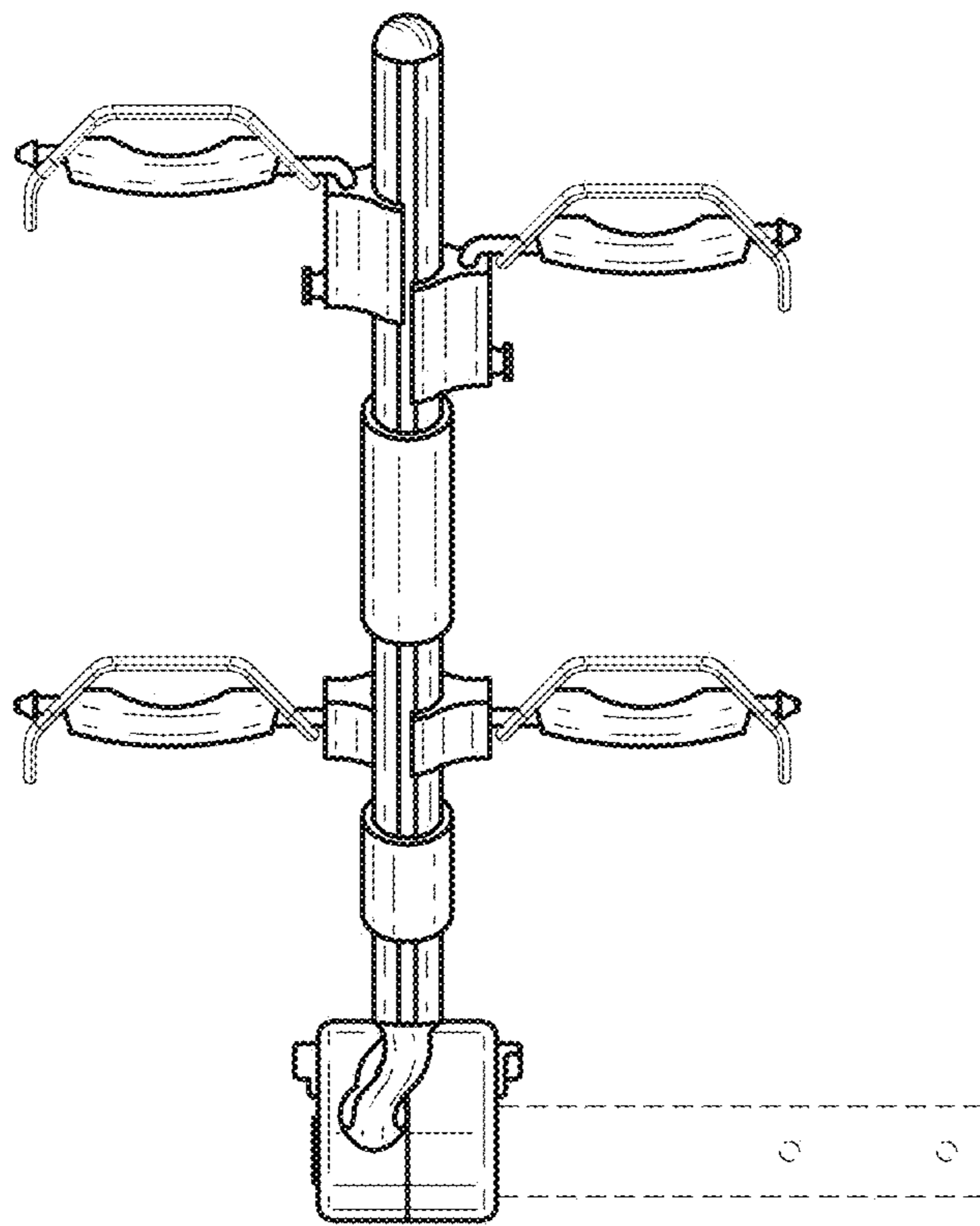


FIG. 6

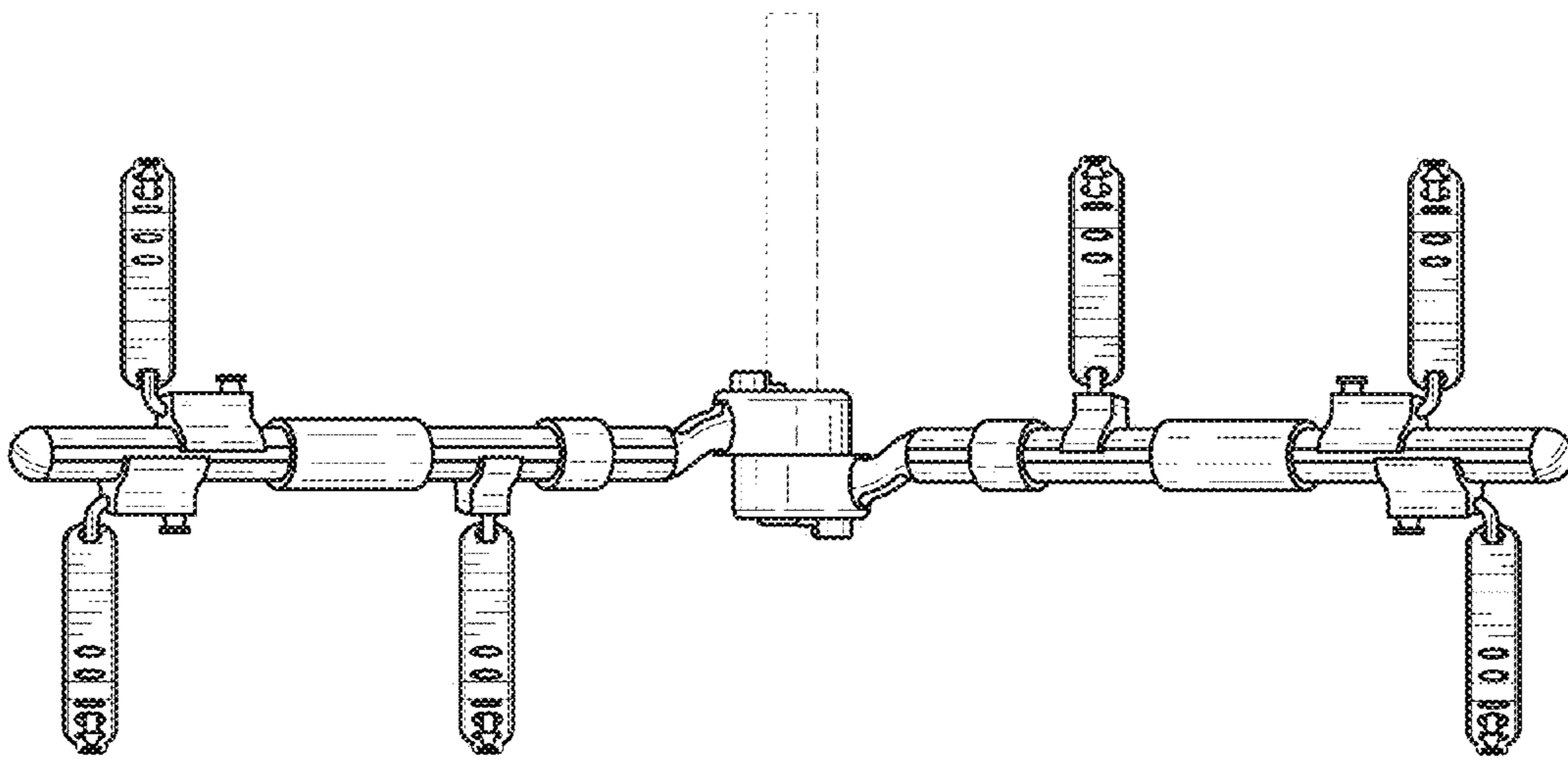


FIG. 7

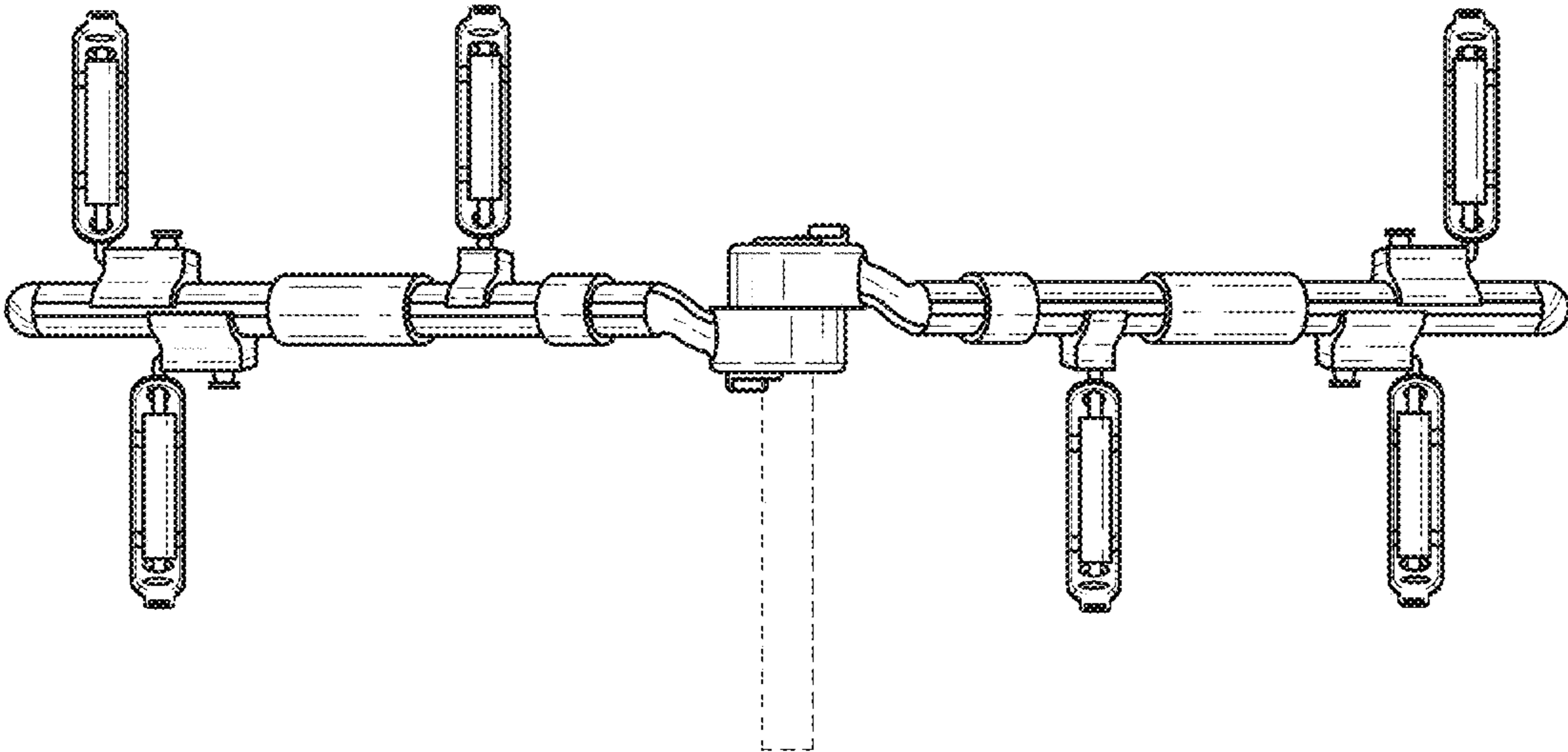


FIG. 8