



US00D717716S

(12) **United States Design Patent**
Williams

(10) **Patent No.:** **US D717,716 S**

(45) **Date of Patent:** **** Nov. 18, 2014**

(54) **V TRUNK MOUNT BICYCLE CARRIER**

(71) Applicant: **Marty Williams**, Colorado Springs, CO
(US)

(72) Inventor: **Marty Williams**, Colorado Springs, CO
(US)

(**) Term: **14 Years**

(21) Appl. No.: **29/459,230**

(22) Filed: **Jun. 27, 2013**

Related U.S. Application Data

(63) Continuation of application No. 11/697,294, filed on
Apr. 5, 2007.

(51) **LOC (10) Cl.** **12-16**

(52) **U.S. Cl.**
USPC **D12/408**

(58) **Field of Classification Search**
USPC D12/111, 406, 407, 408, 412, 414;
224/42.11, 314, 331, 329, 400, 412,
224/419, 442.12, 451, 461, 488, 489, 495,
224/497, 499, 500, 502, 504, 511-537, 924
See application file for complete search history.

(56) **References Cited**

U.S. PATENT DOCUMENTS

640,736	A	1/1900	Biester	
3,204,839	A	9/1965	Yuda et al.	
4,203,494	A *	5/1980	Hansen	172/166
5,096,102	A	3/1992	Tolson	
5,181,222	A	1/1993	Duarte	
5,181,822	A	1/1993	Allsop et al.	
D336,876	S *	6/1993	Warnelov	D12/408
5,373,978	A	12/1994	Buttchen et al.	
5,497,927	A	3/1996	Peterson	
5,820,004	A	10/1998	Lane	
5,950,892	A *	9/1999	Tsai	224/520
6,089,428	A	7/2000	Wagner	

6,662,983	B2	12/2003	Lane et al.	
6,695,185	B2	2/2004	Church	
6,971,565	B2 *	12/2005	Wang	224/497
D623,117	S *	9/2010	Farber	D12/408
7,815,083	B2 *	10/2010	Clausen et al.	224/501
D628,141	S *	11/2010	Weaver et al.	D12/408
D663,676	S *	7/2012	Loken et al.	D12/408

(Continued)

FOREIGN PATENT DOCUMENTS

DE	3900569	A1	7/1990	
EP	1273479	A1 *	1/2003	B60R 9/10

(Continued)

Primary Examiner — Philip S Hyder

Assistant Examiner — Darlington Ly

(74) *Attorney, Agent, or Firm* — Tracy M. Heims; Apex
Juris, PLLC

(57) **CLAIM**

The ornamental design for a V trunk mount bicycle carrier, as
shown and described.

DESCRIPTION

FIG. 1 is a top and front perspective view of the V trunk mount
bicycle carrier;

FIG. 2 is an exploded top and front perspective view thereof;

FIG. 3 is a front elevation view thereof, wherein a bicycle is
shown attached thereto;

FIG. 4 is a front view thereof;

FIG. 5 is a rear elevation view thereof;

FIG. 6 is a side elevation view thereof;

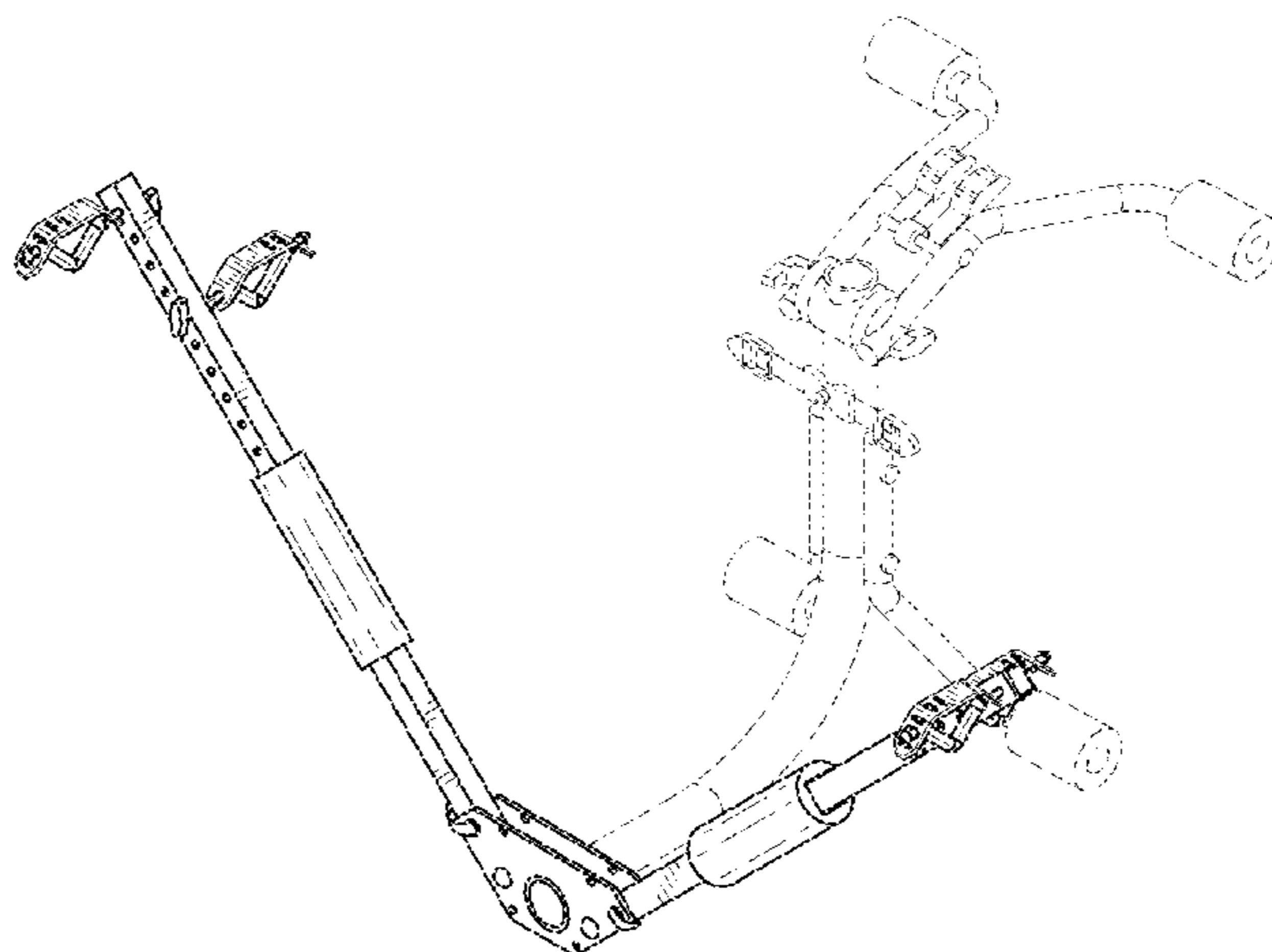
FIG. 7 is a top plan view thereof; and,

FIG. 8 is a bottom plan view thereof.

The broken lines illustrate unclaimed environmental struc-
ture.

The broken lines shown in the drawings illustrate environ-
mental structure and portions of the V trunk mount bicycle
carrier that forms no part of the claimed design.

1 Claim, 8 Drawing Sheets



(56)

References Cited

FOREIGN PATENT DOCUMENTS

U.S. PATENT DOCUMENTS

D671,883 S * 12/2012 Farber D12/408
D672,704 S * 12/2012 Grago D12/408
D684,917 S * 6/2013 Williams D12/408
2011/0240700 A1* 10/2011 Williams 224/518
2014/0060513 A1* 3/2014 Tulpa 124/86

EP 2189333 A1 * 5/2010 B60R 9/10
FR 2809063 A1 * 11/2001 B60R 9/10
GB 2235909 A 3/1991
GB 2363772 A 1/2002
JP 2011225062 A * 11/2011 B60R 9/10

* cited by examiner

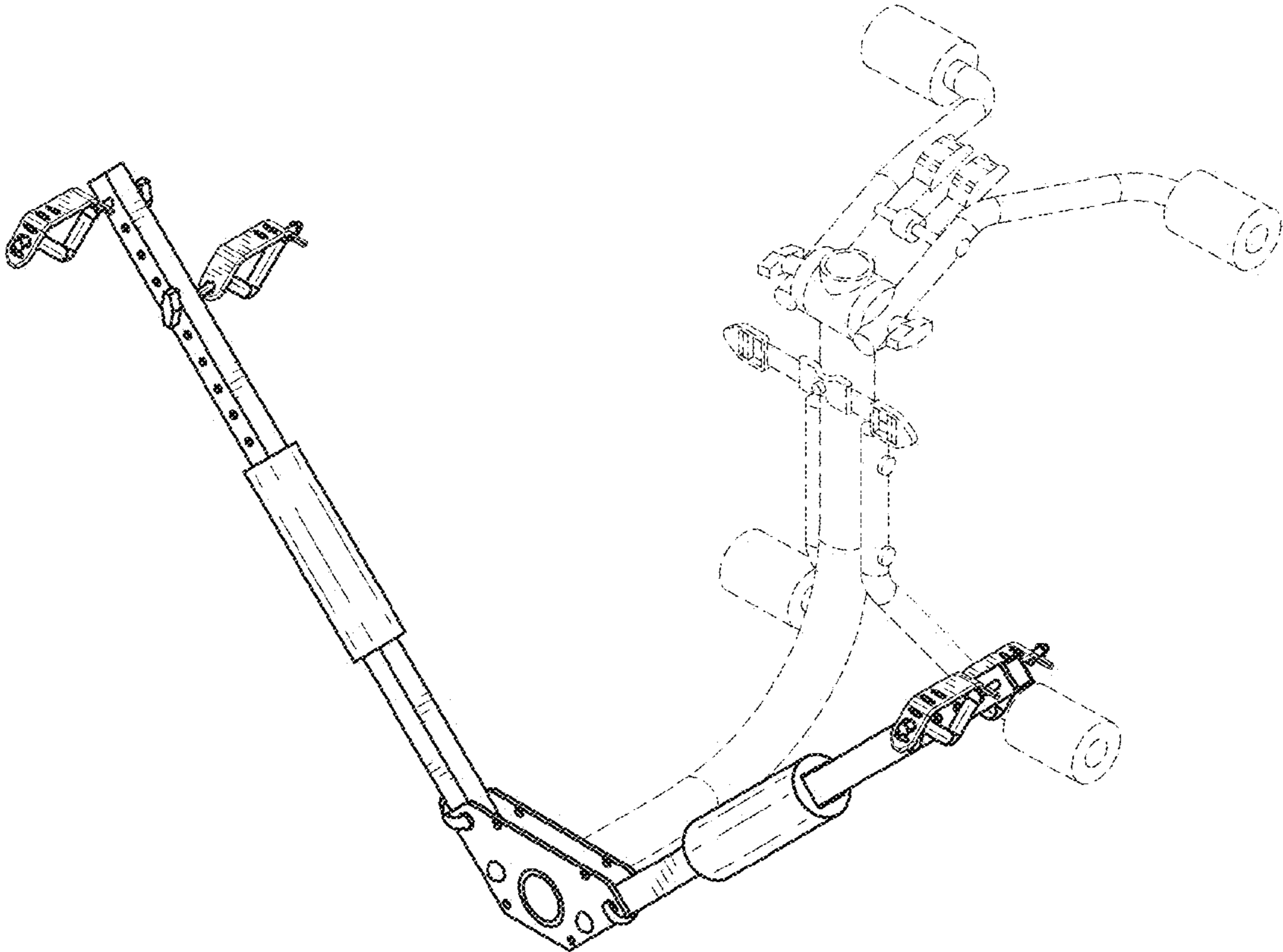


FIG. 1

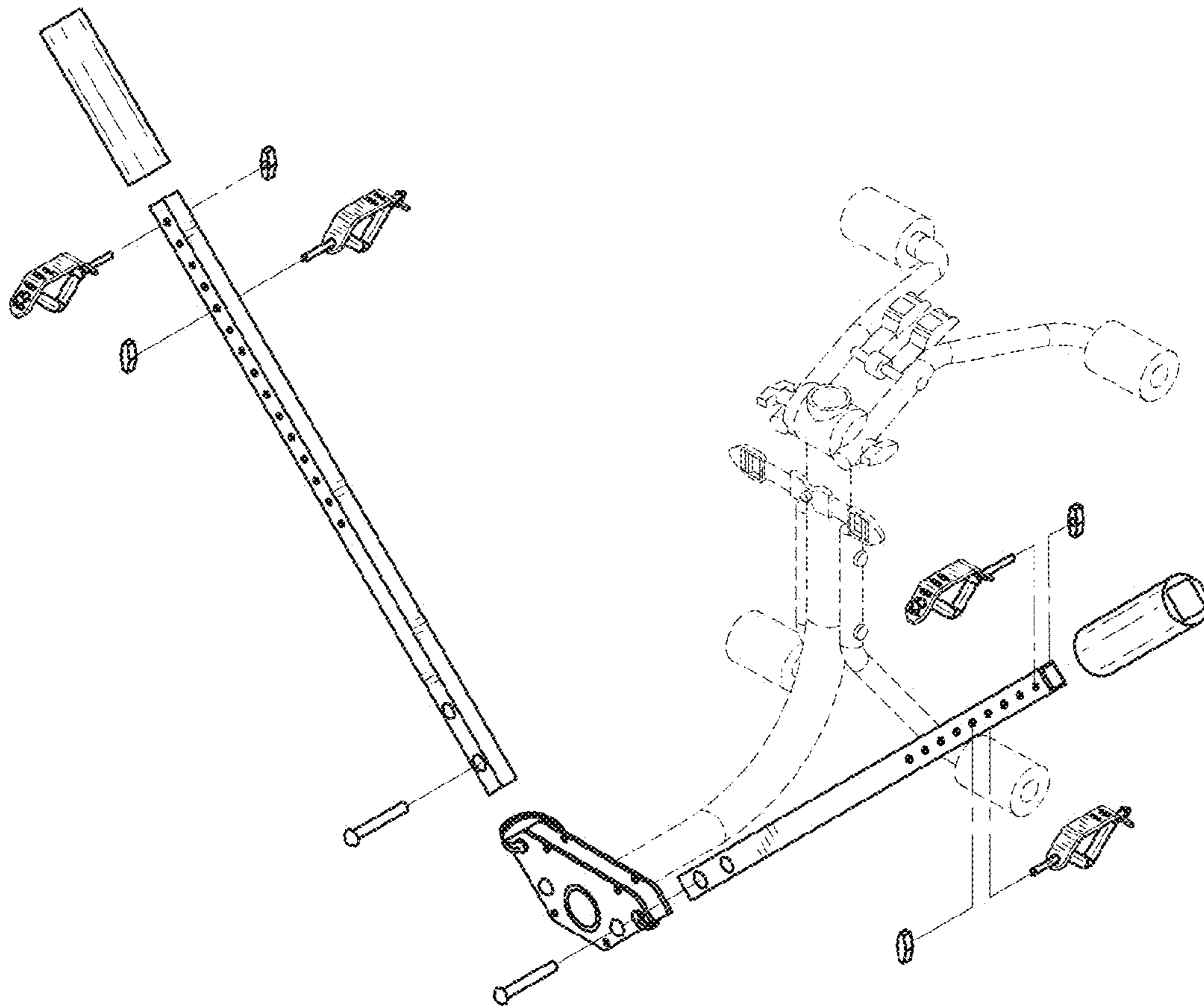


FIG. 2

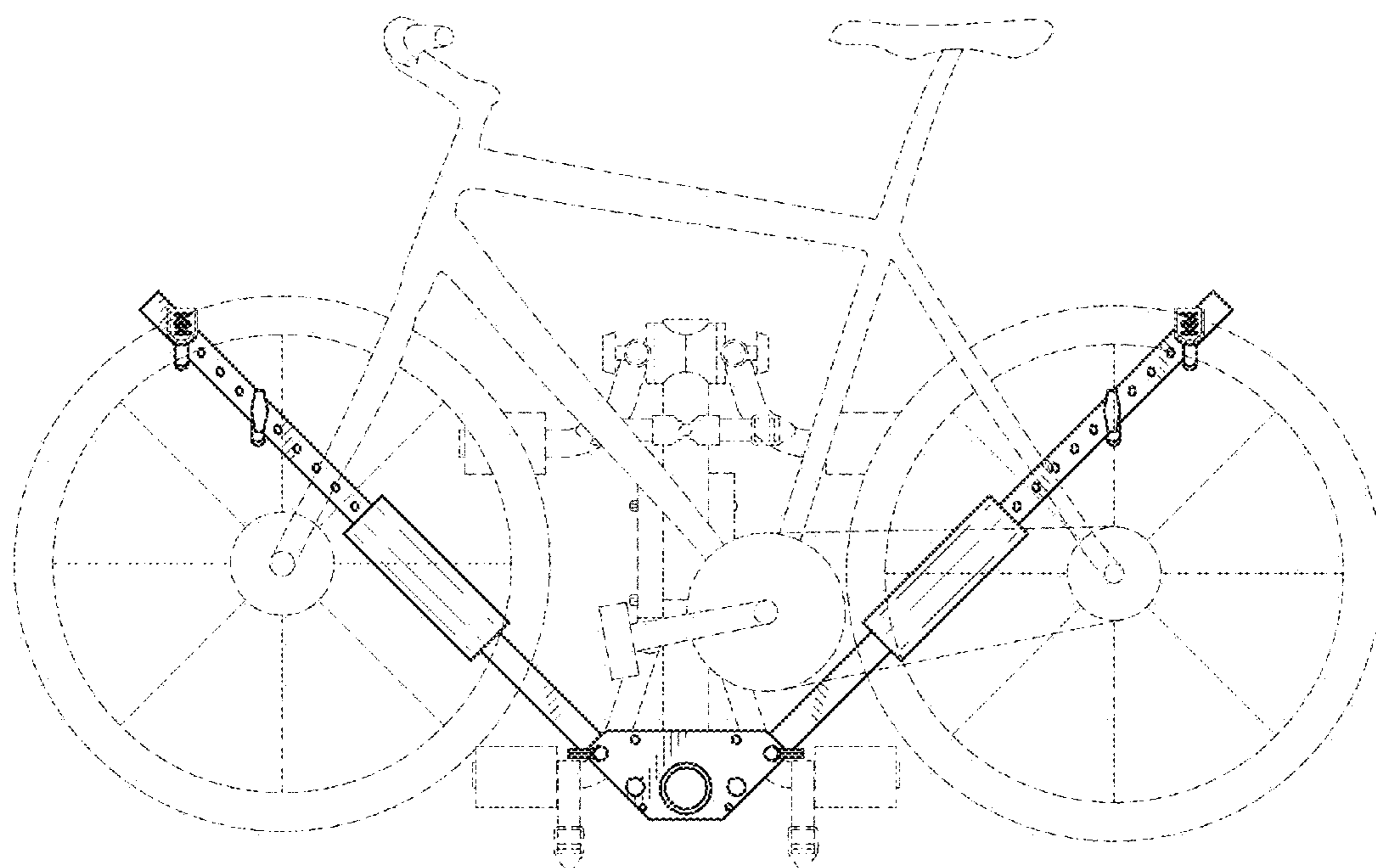


FIG. 3

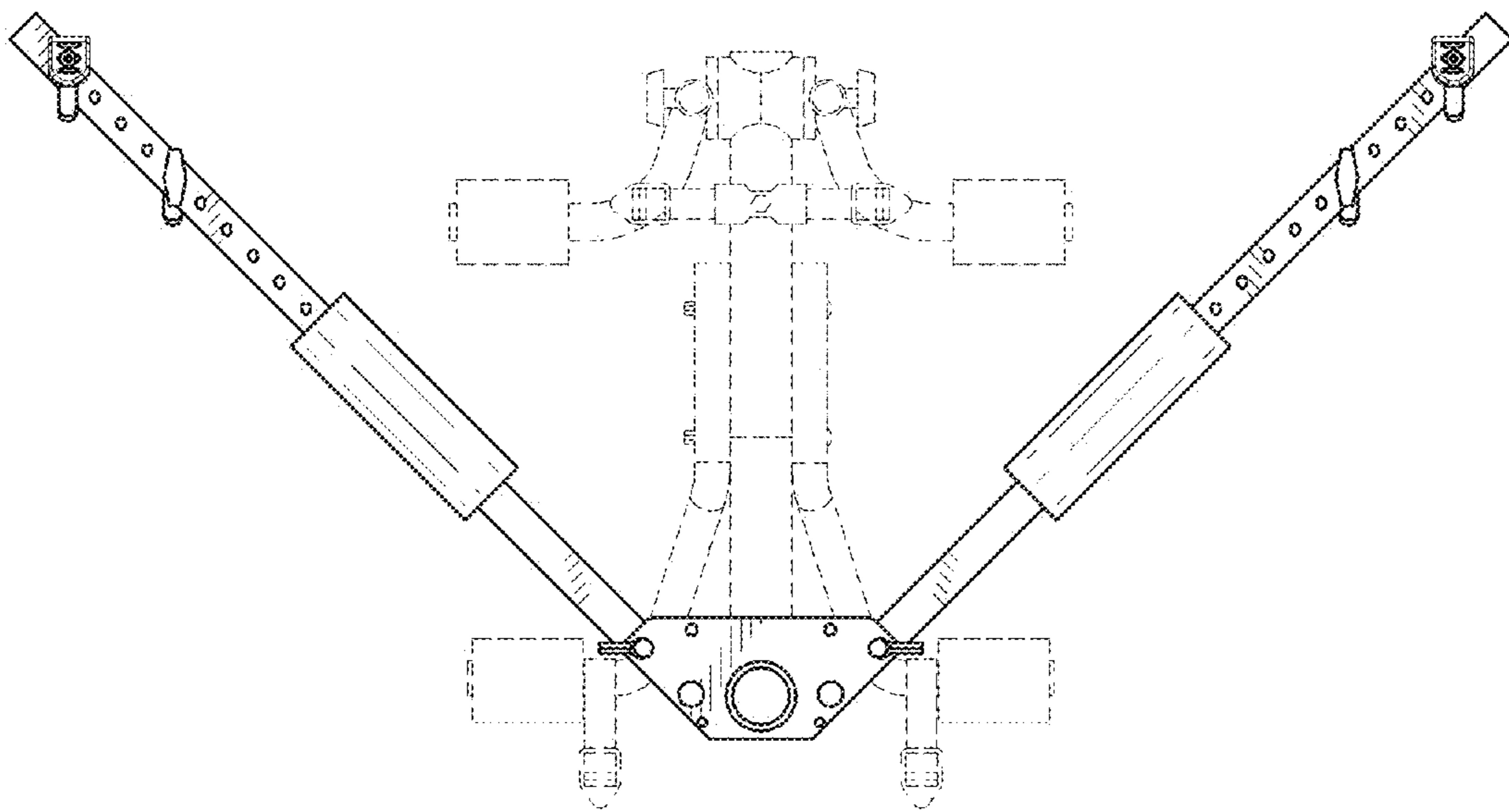


FIG. 4

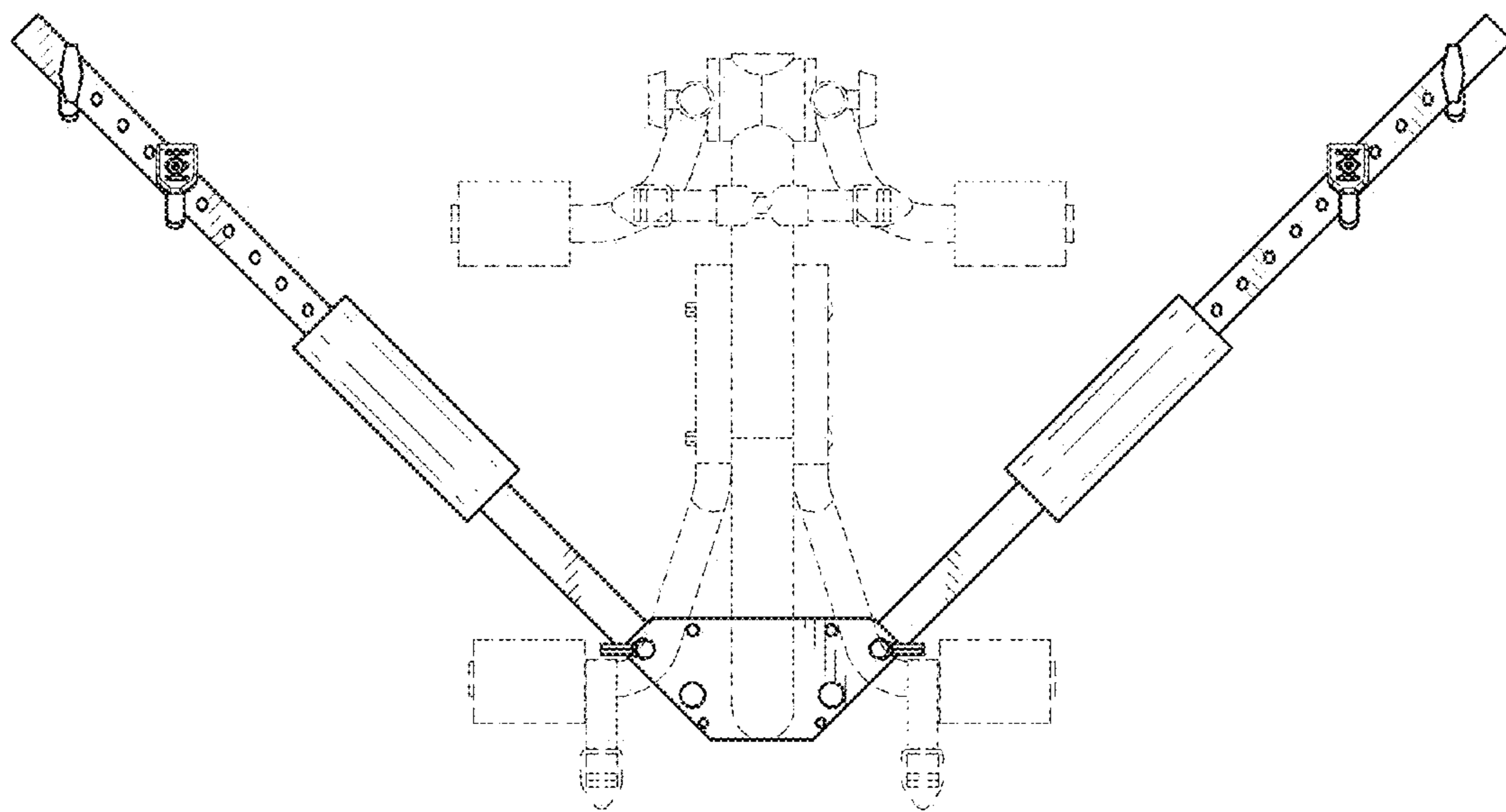


FIG. 5

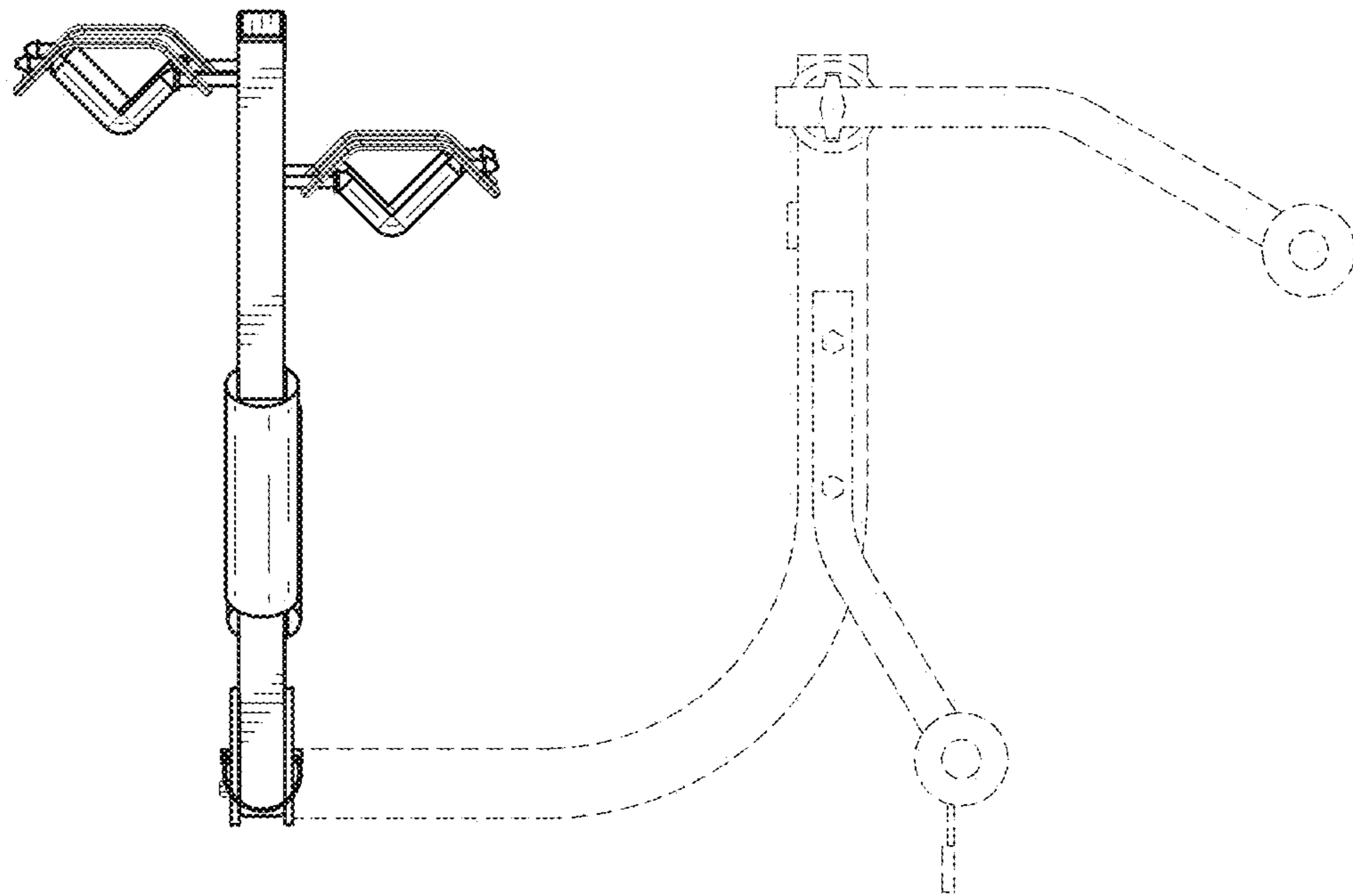


FIG. 6

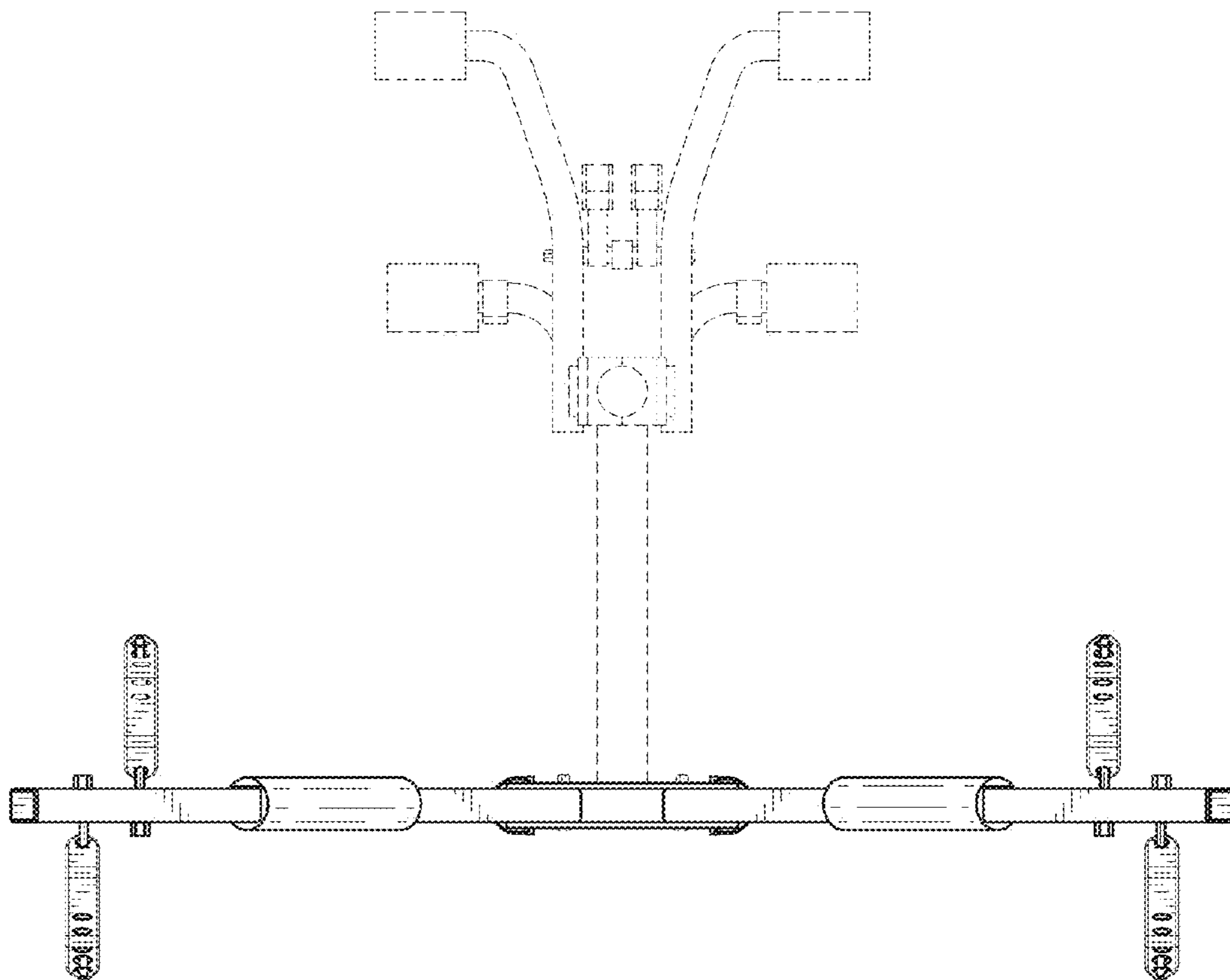


FIG. 7

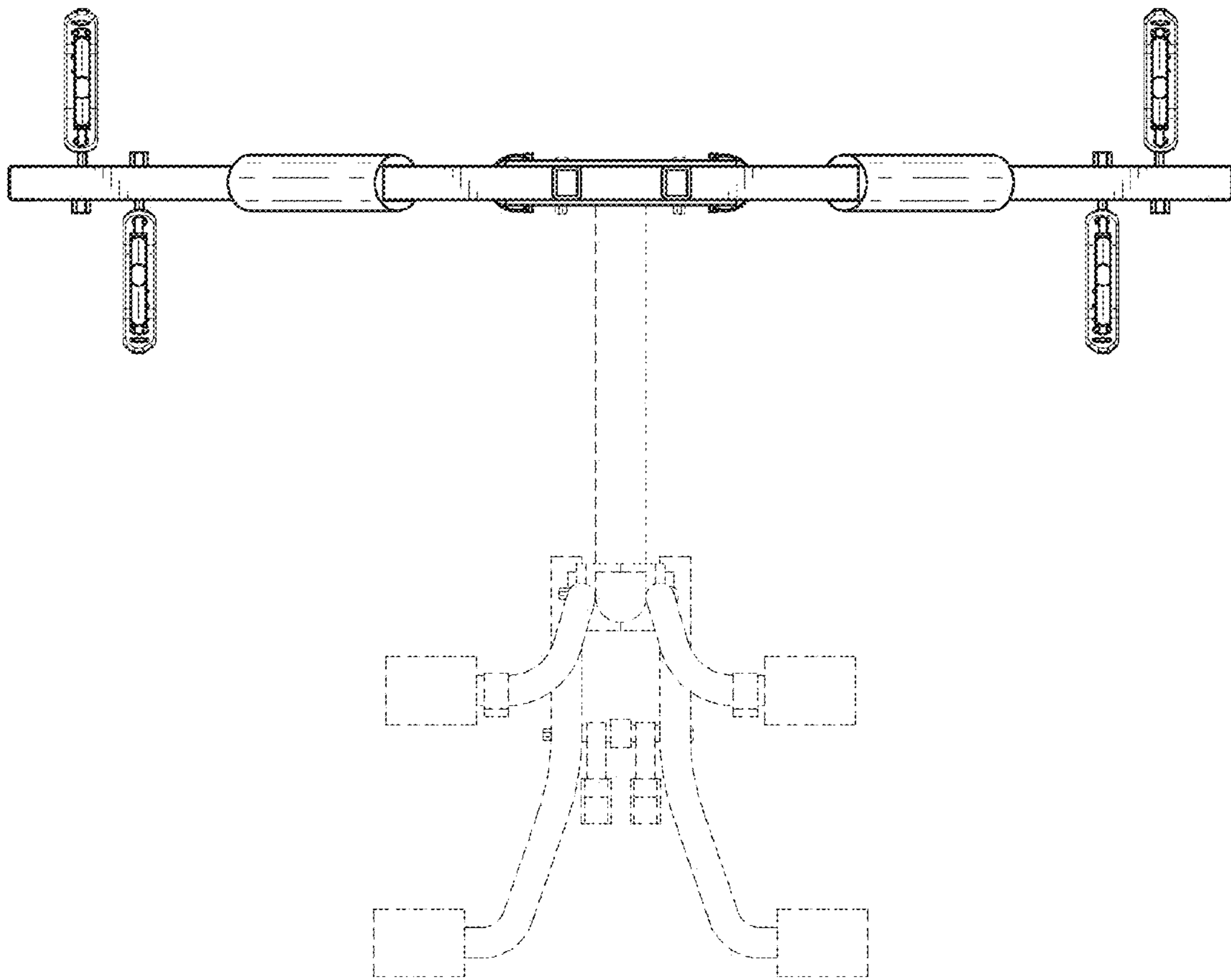


FIG. 8