

US00D717714S

(12) **United States Design Patent**
Satou et al.

(10) **Patent No.:** **US D717,714 S**
(45) **Date of Patent:** **** Nov. 18, 2014**

(54) **ELECTRIC WIRE HOLDER FOR VEHICLE**
(75) Inventors: **Kunihiko Satou**, Kosai (JP); **Masataka Yamamoto**, Kosai (JP)
(73) Assignee: **Yazaki Coporation**, Tokyo (JP)
(**) Term: **14 Years**
(21) Appl. No.: **29/422,831**

D644,177 S * 8/2011 de Bruijn et al. D13/120
8,198,533 B2 * 6/2012 Terada et al. 174/72 A
8,227,693 B2 * 7/2012 Katou et al. 174/72 A
8,237,053 B2 * 8/2012 Katou et al. 174/72 A
8,242,366 B2 * 8/2012 Katou et al. 174/72 A
8,324,501 B2 * 12/2012 Terada et al. 174/72 A
D708,152 S * 7/2014 Dixon et al. D13/173
2008/0035799 A1 * 2/2008 Yamamoto et al. 248/49
2009/0095858 A1 * 4/2009 Katou et al. 248/205.1
2011/0147540 A1 * 6/2011 Rivara et al. 248/68.1

* cited by examiner

(22) Filed: **May 24, 2012**

Primary Examiner — Deanna L Pratt

Assistant Examiner — Natasha Vujcic

(30) **Foreign Application Priority Data**

(74) *Attorney, Agent, or Firm* — Sughrue Mion, PLLC

Nov. 25, 2011 (JP) D2011-27232

(51) **LOC (10) Cl.** **12-16**

(57) **CLAIM**

The ornamental design for an electric wire holder for vehicle, as shown and described.

(52) **U.S. Cl.**

USPC **D12/400**

(58) **Field of Classification Search**

DESCRIPTION

CPC B60K 1/00; B60K 3/00; B60K 5/1258;
B60K 2350/30; B60K 2350/305; B60K
2350/307; B60R 16/02; B60R 16/0207
USPC D12/89, 190, 192, 195, 196, 203, 314,
D12/400, 401, 415, 420, 421; D28/36, 92;
280/5.3, 163, 164.2, 166, 169, 291;
174/44, 72 A, 72 R, 173, 251; 220/324,
220/787, 788, 789; D8/14, 42, 331, 349,
D8/352, 382, 386, 397, 399; D13/107,
D13/117, 118, 120, 173; 248/302, 303, 352,
248/503

FIG. 1 is a perspective view of an electric wire holder for vehicle showing our new design;
FIG. 2 is a front view thereof;
FIG. 3 is a rear view thereof;
FIG. 4 is a left side view;
FIG. 5 is a right side view thereof;
FIG. 6 is a top plan view thereof;
FIG. 7 is a bottom plan view thereof;
FIG. 8 is a perspective view of a second embodiment showing our new design;
FIG. 9 is a front view thereof;
FIG. 10 is a rear view thereof;
FIG. 11 is a left side view;
FIG. 12 is a right side view thereof;
FIG. 13 is a top plan view thereof; and,
FIG. 14 is a bottom plan view thereof.

See application file for complete search history.

(56) **References Cited**

U.S. PATENT DOCUMENTS

D284,184 S * 6/1986 Carey et al. D13/120
5,957,702 A * 9/1999 Nagai et al. 439/34
7,265,295 B2 * 9/2007 Kogure et al. 174/72 A

1 Claim, 7 Drawing Sheets

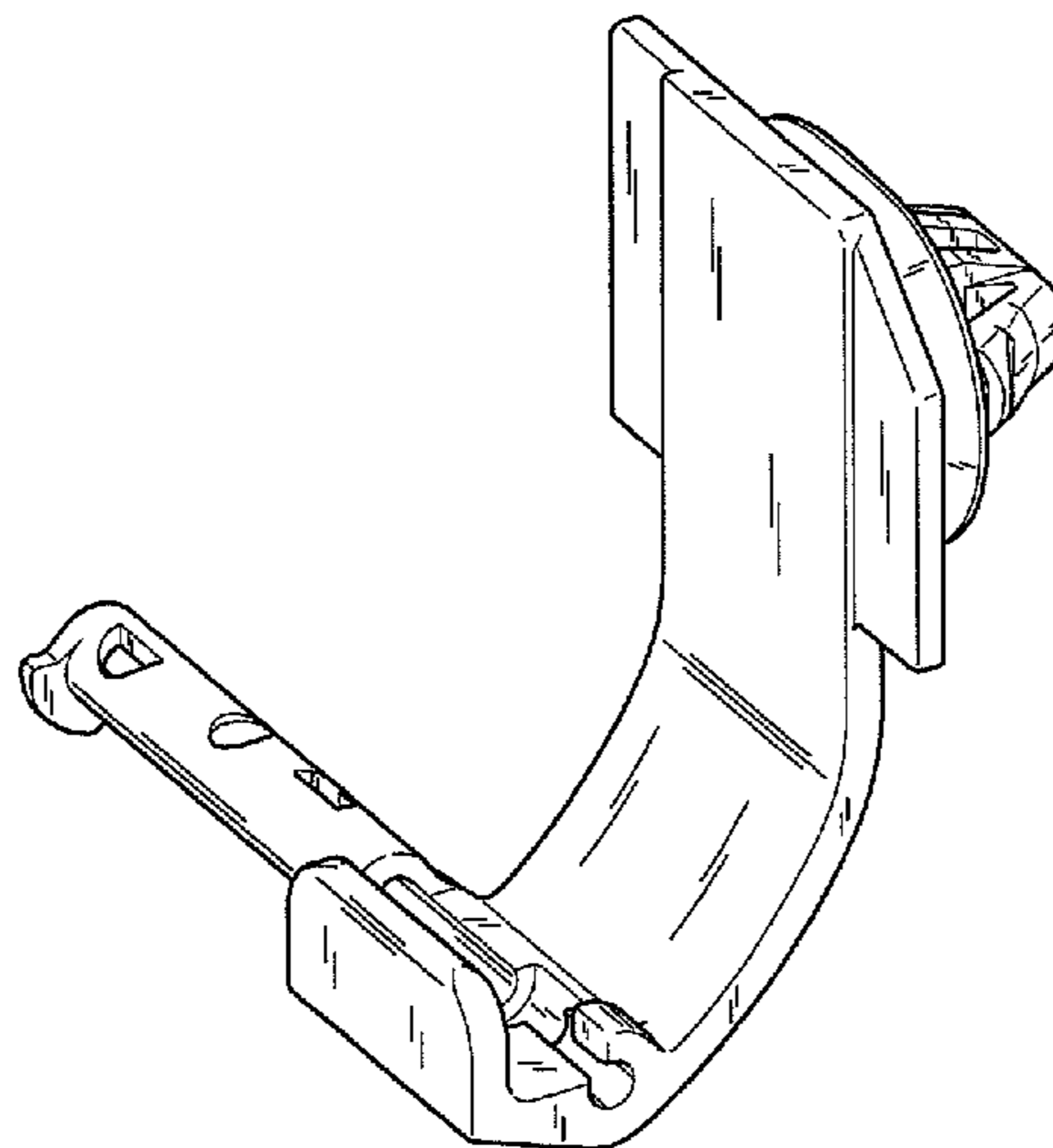


Fig.1

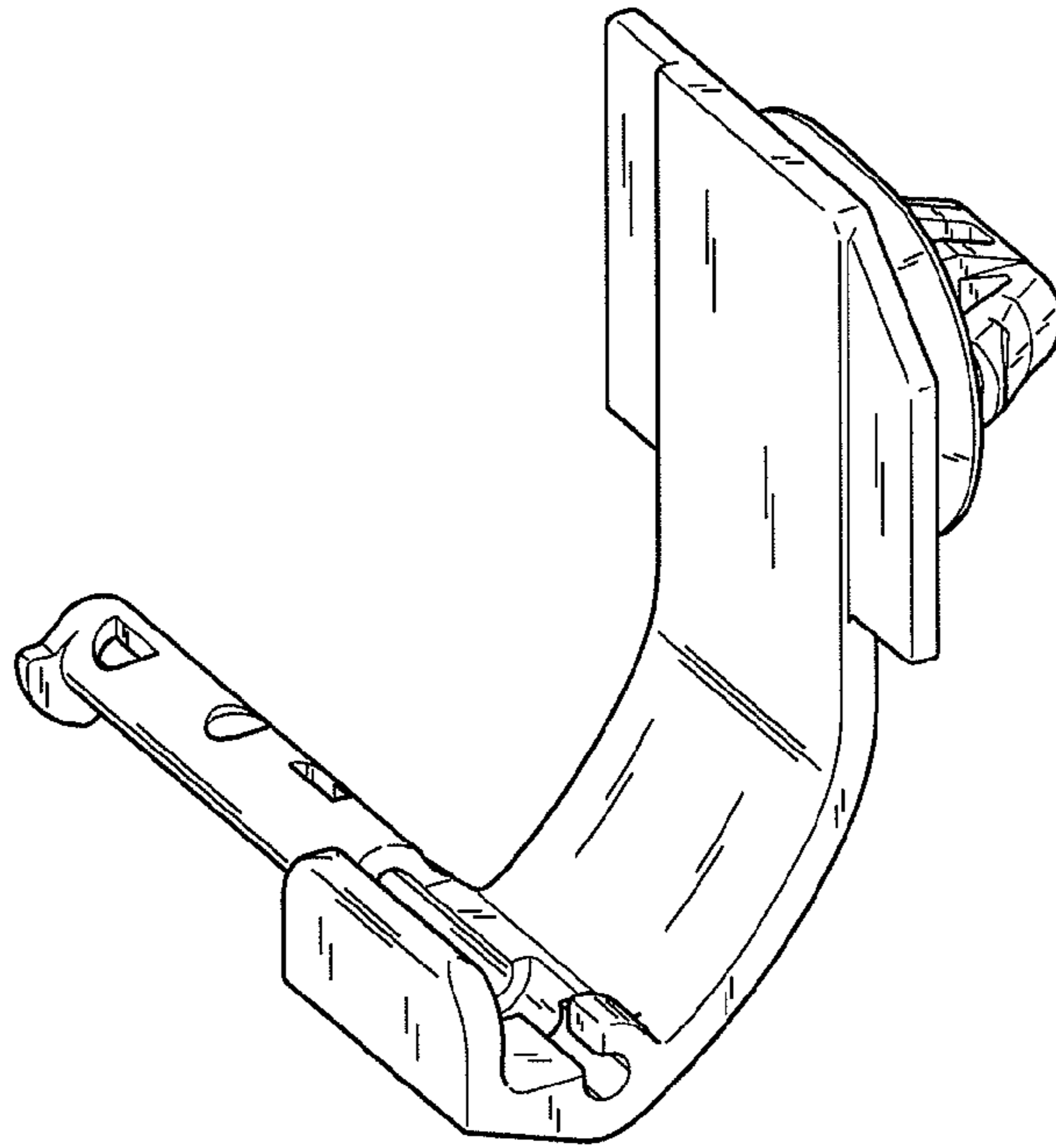


Fig.2

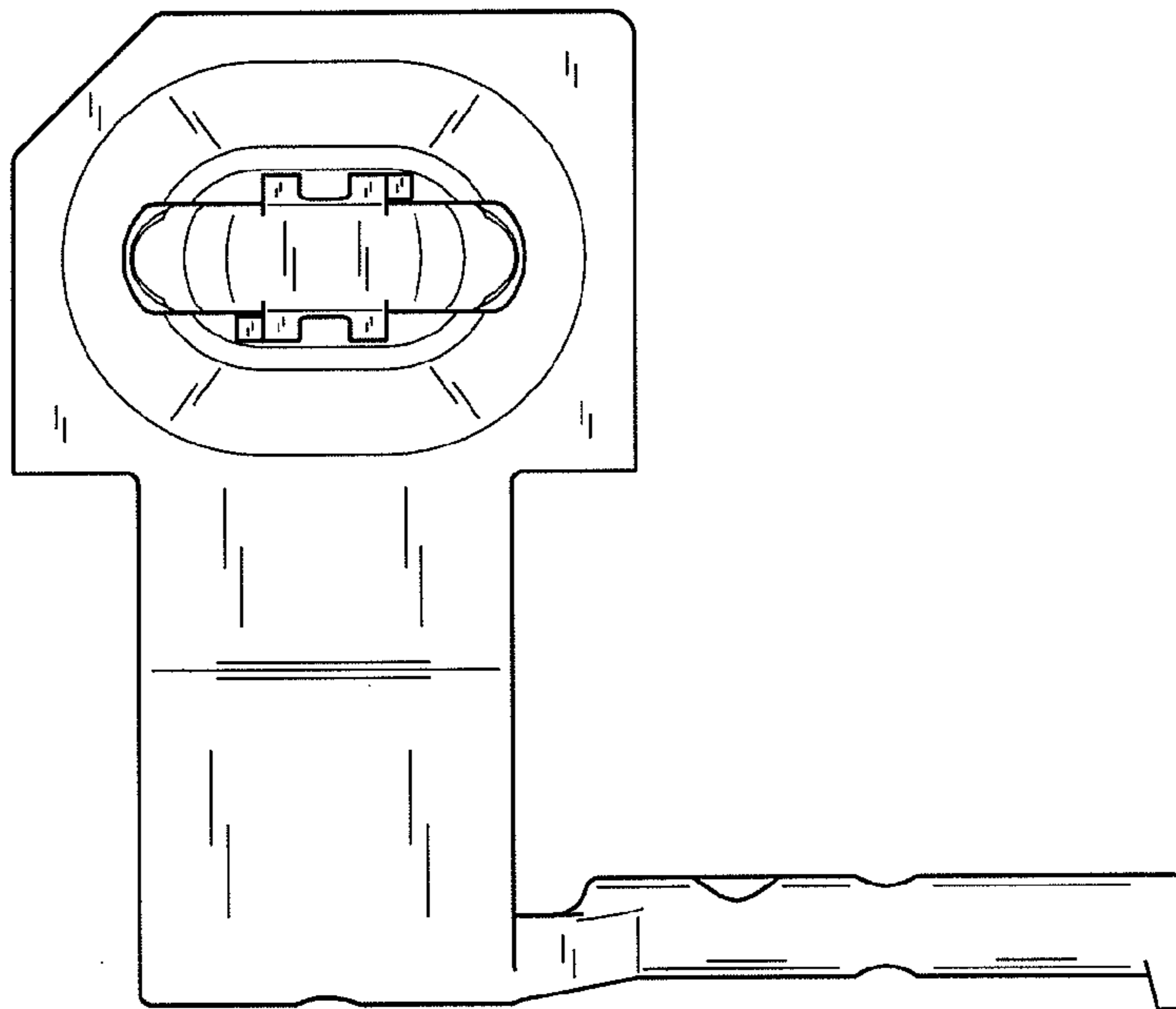


Fig.3

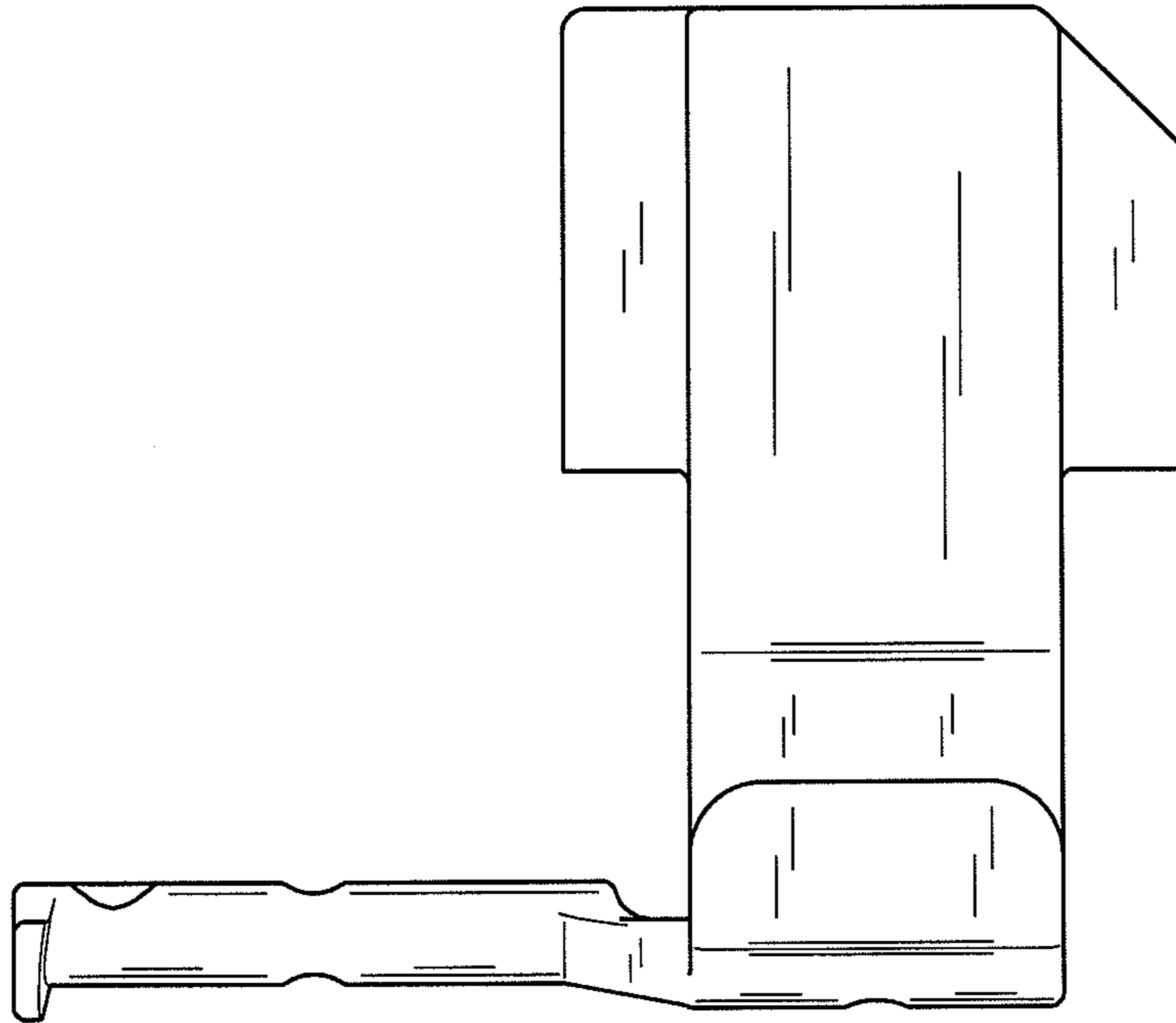


Fig.4

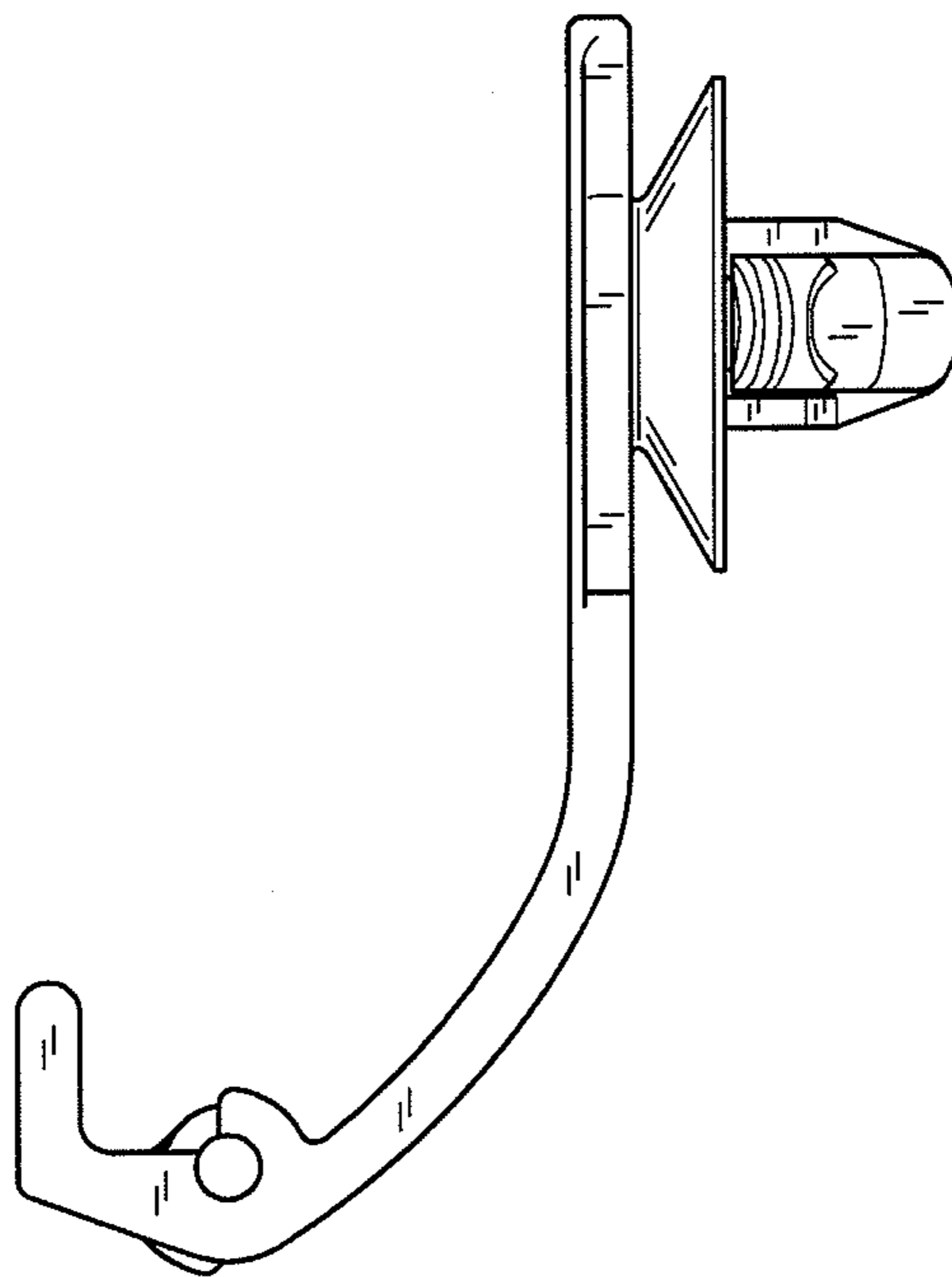


Fig.5

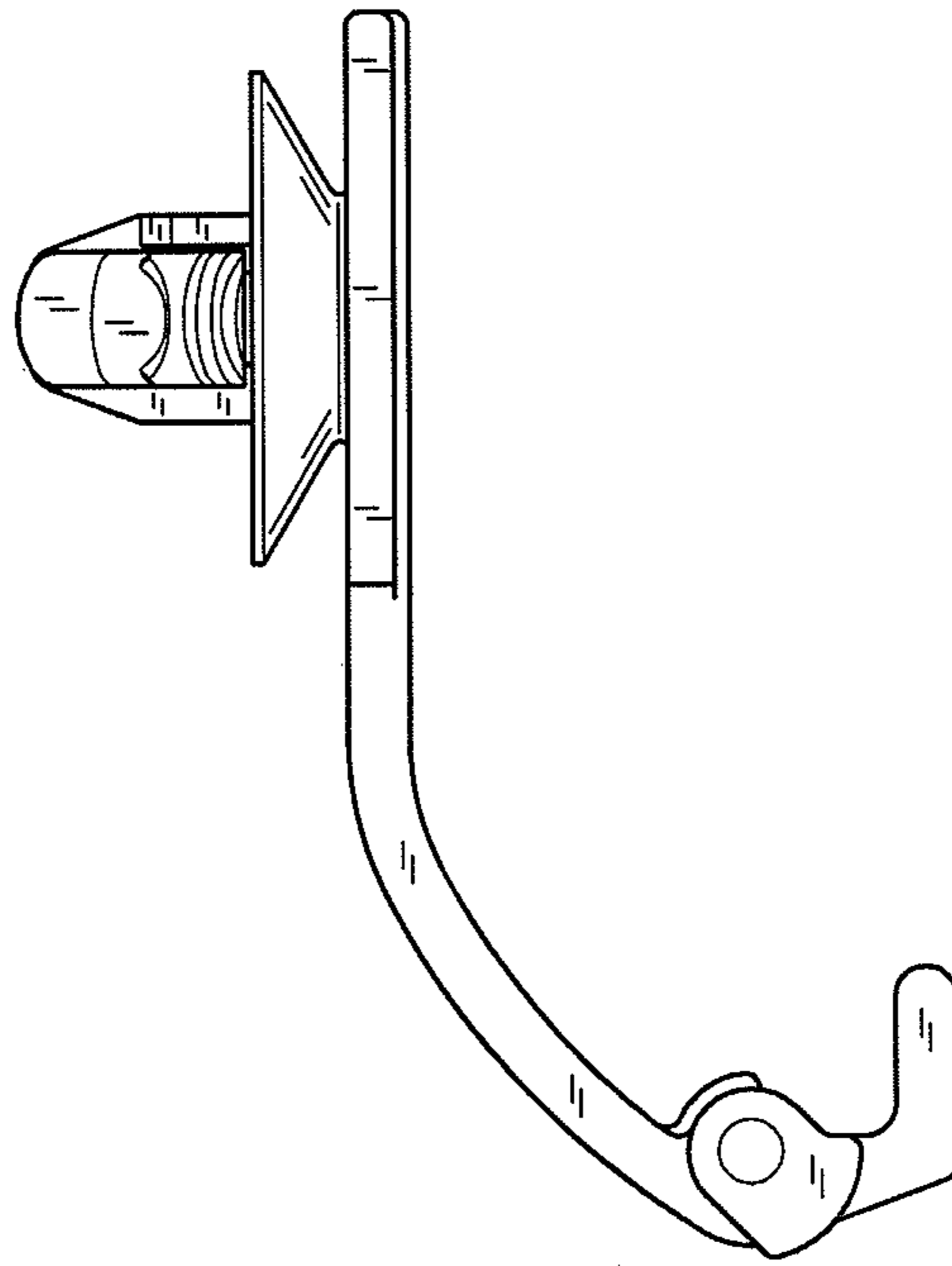


Fig.6

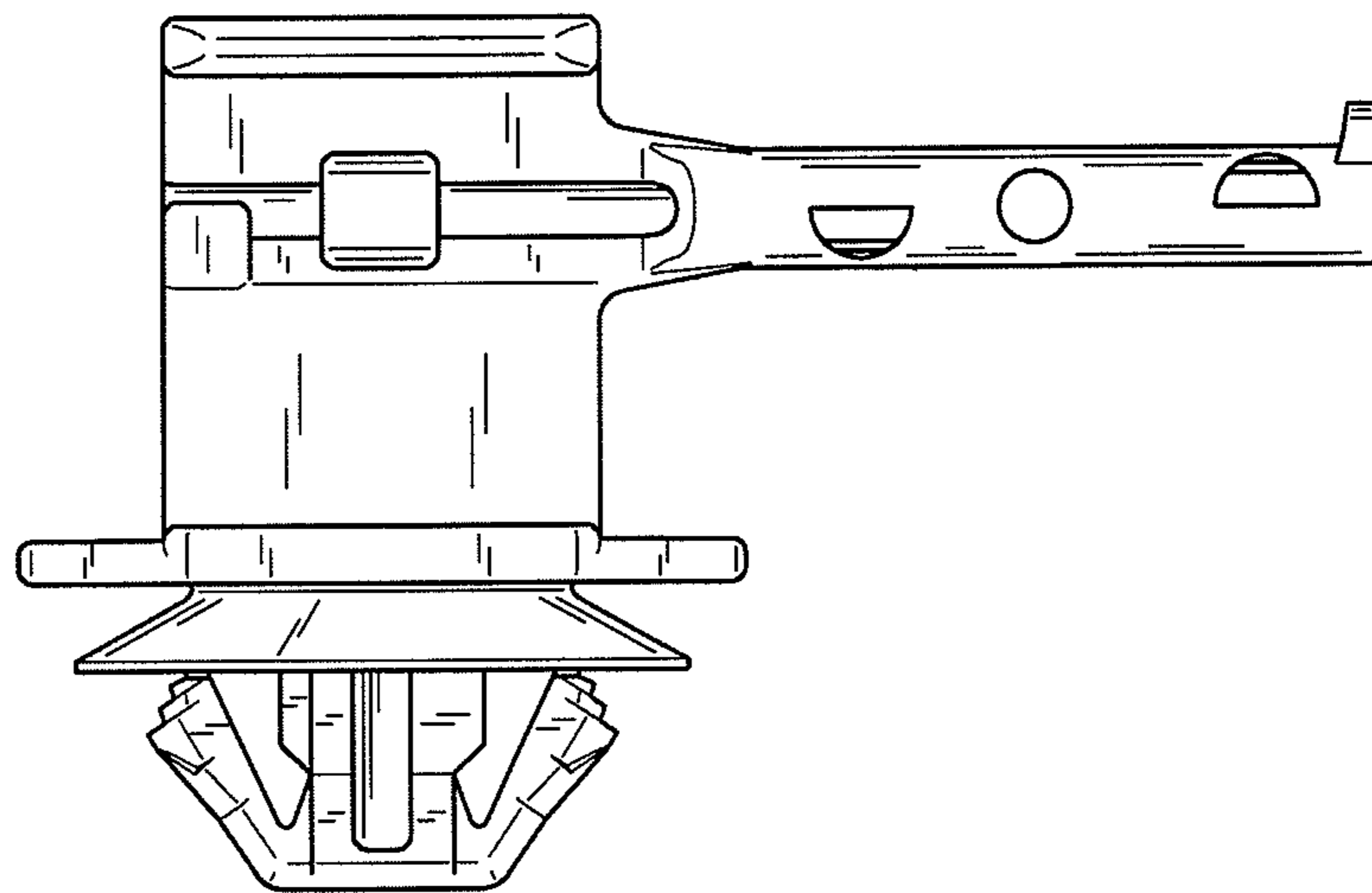


Fig.7

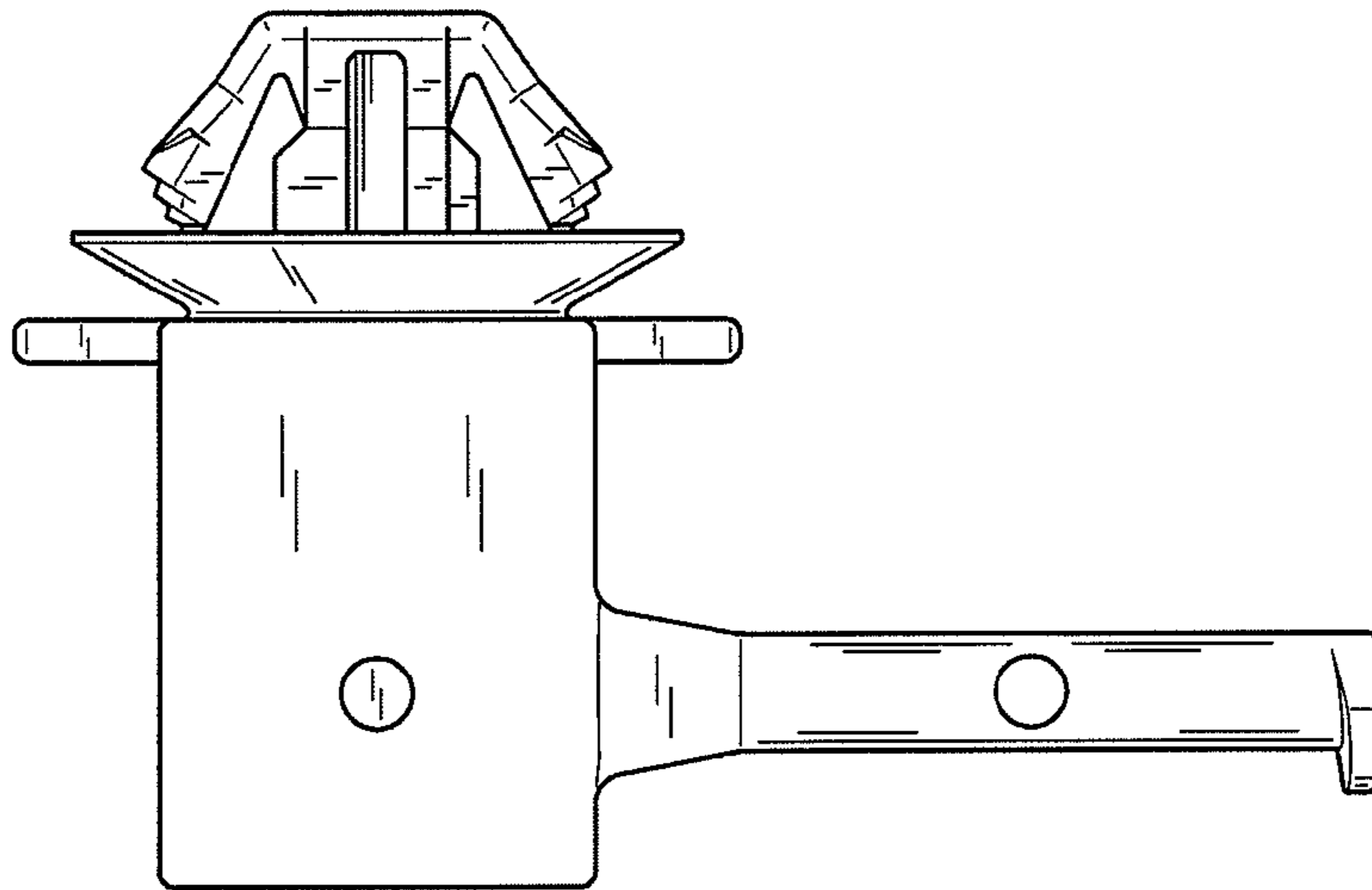


Fig.8

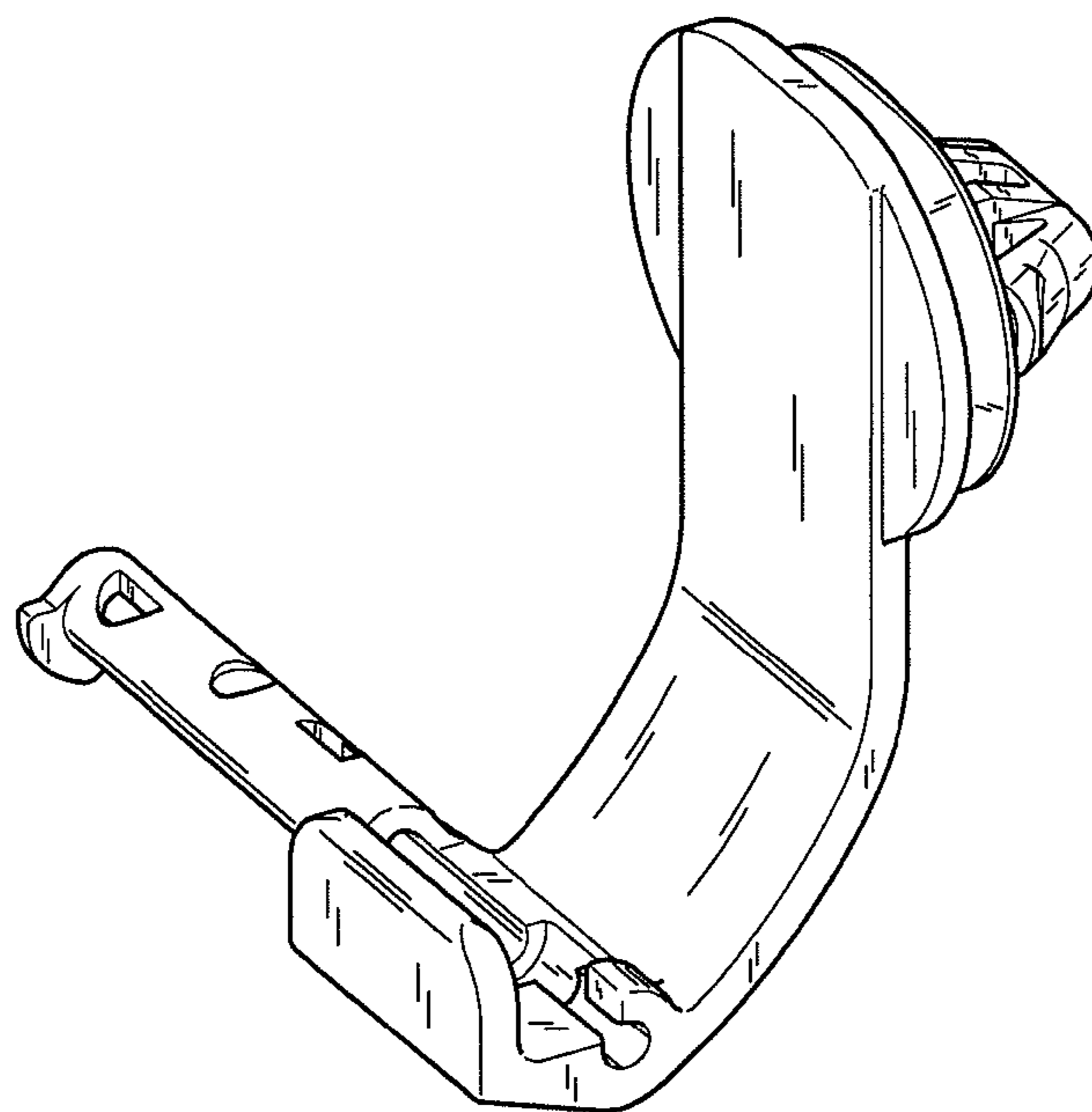


Fig.9

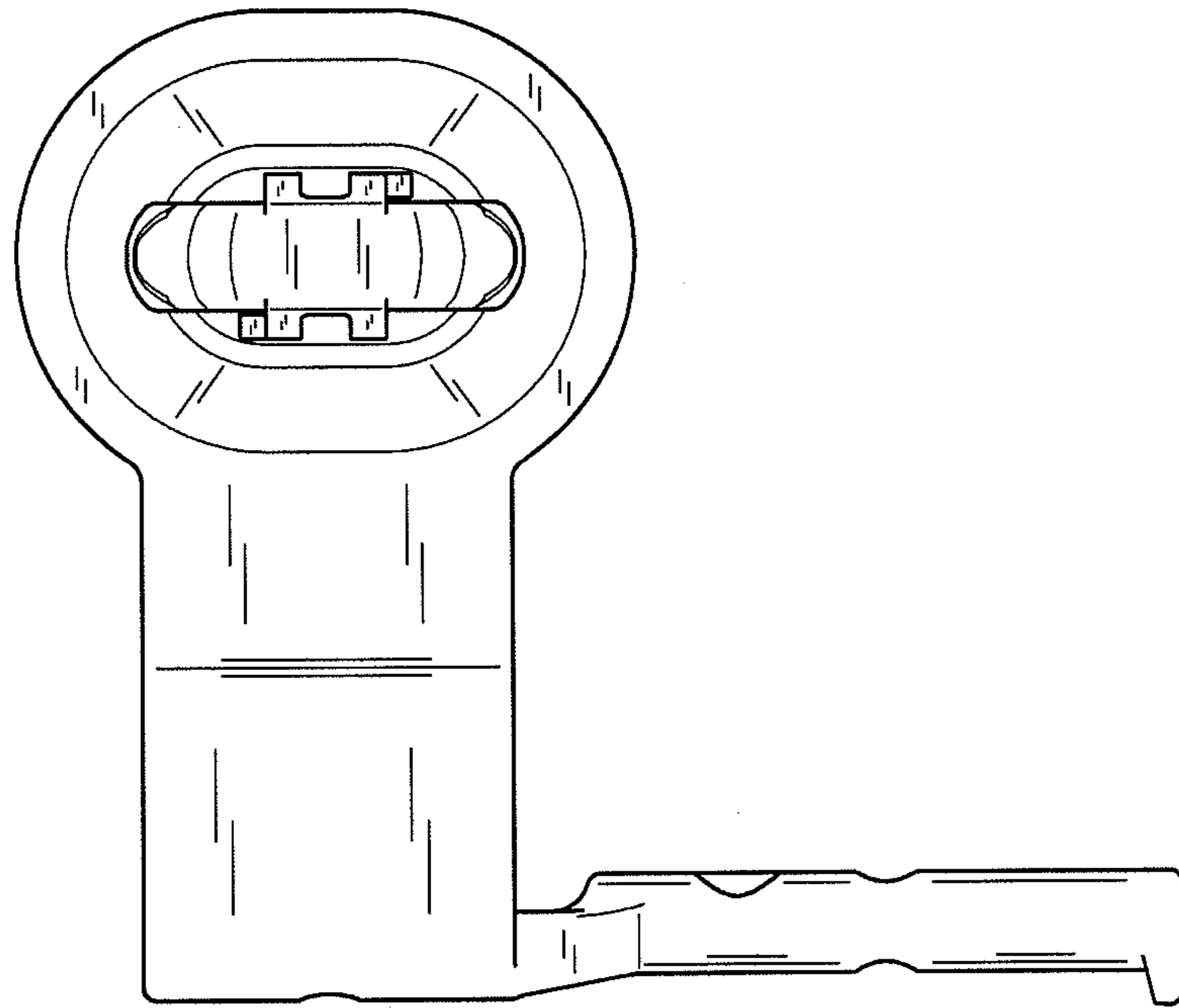


Fig.10

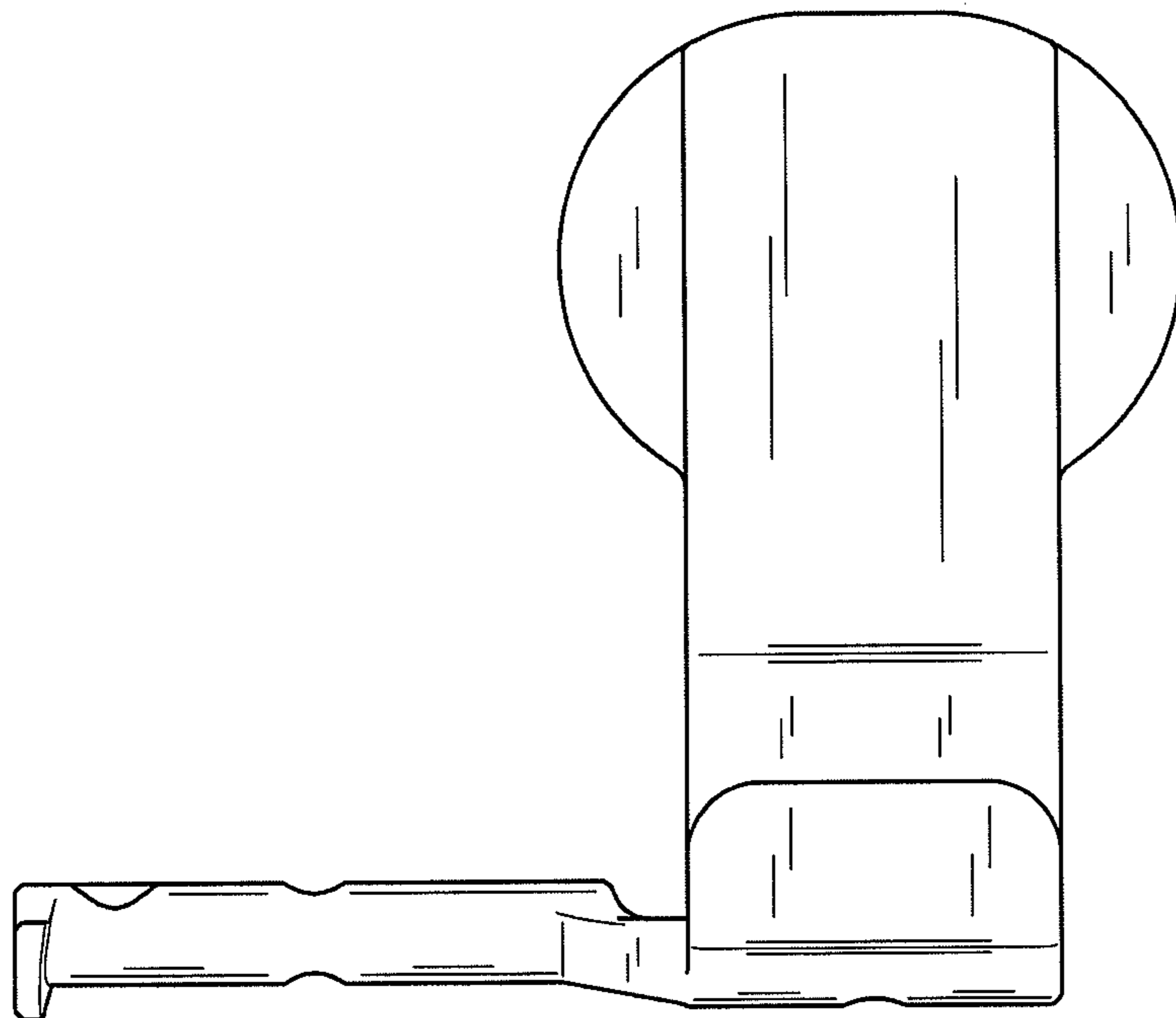


Fig.11

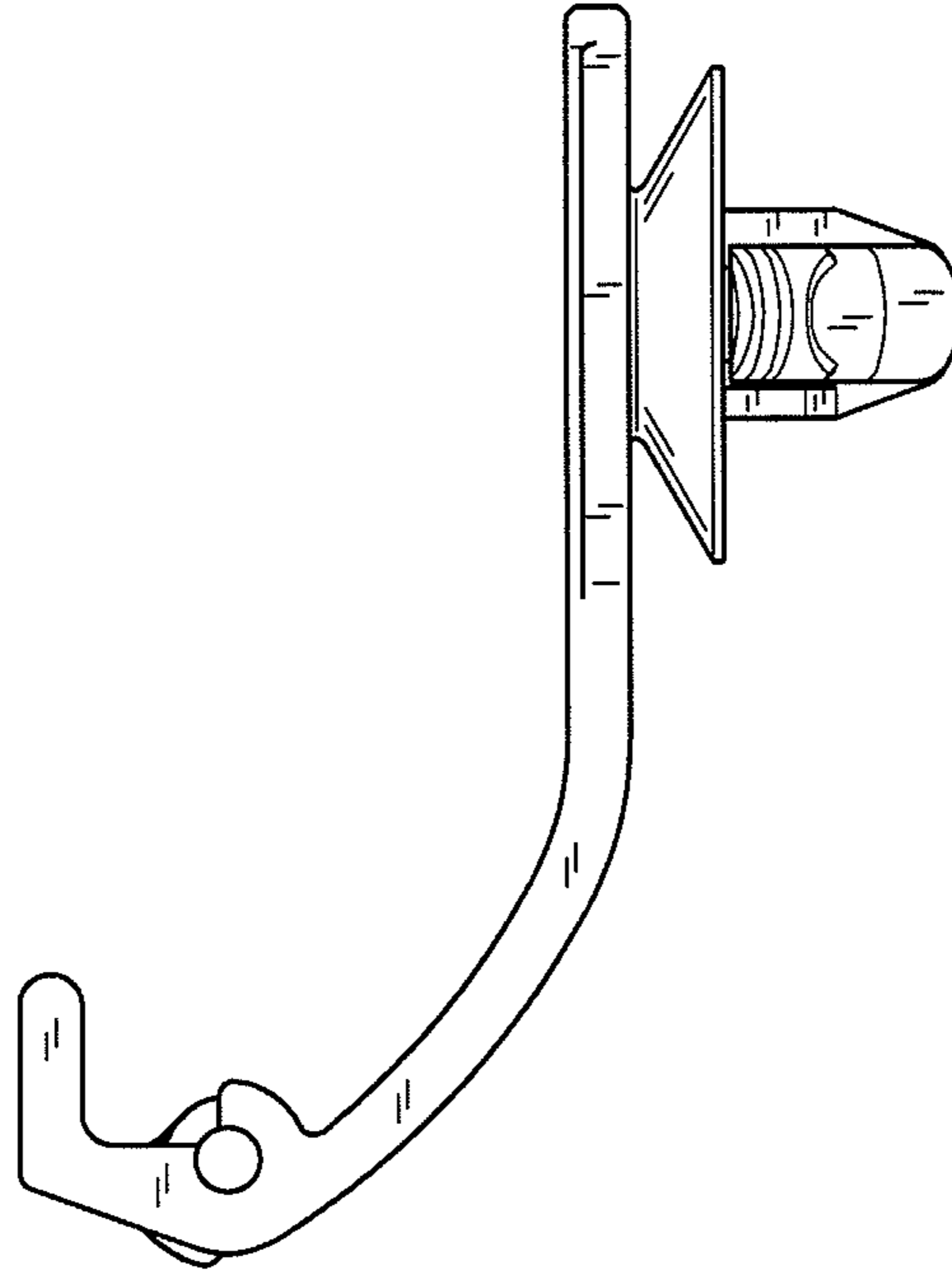


Fig.12

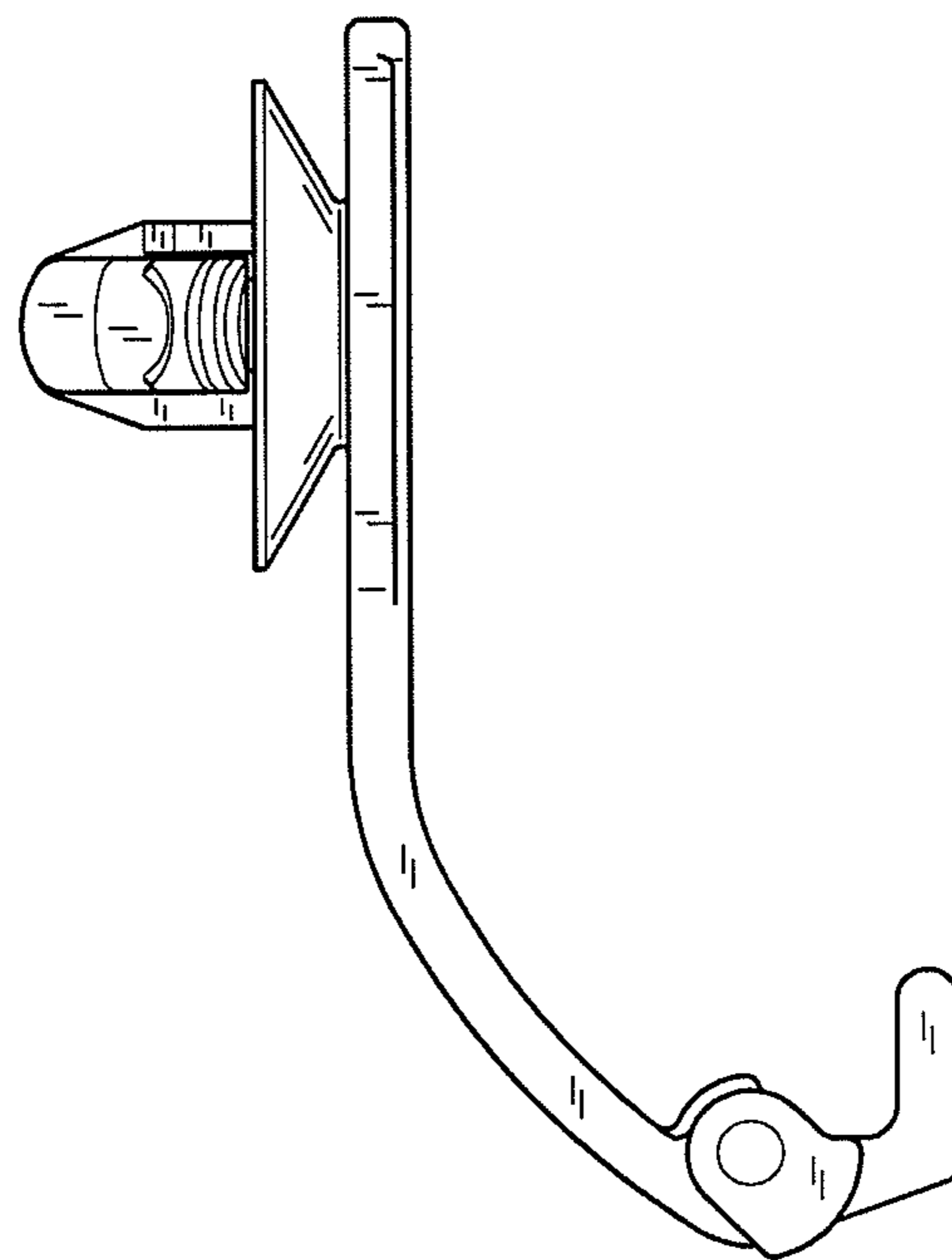


Fig.13

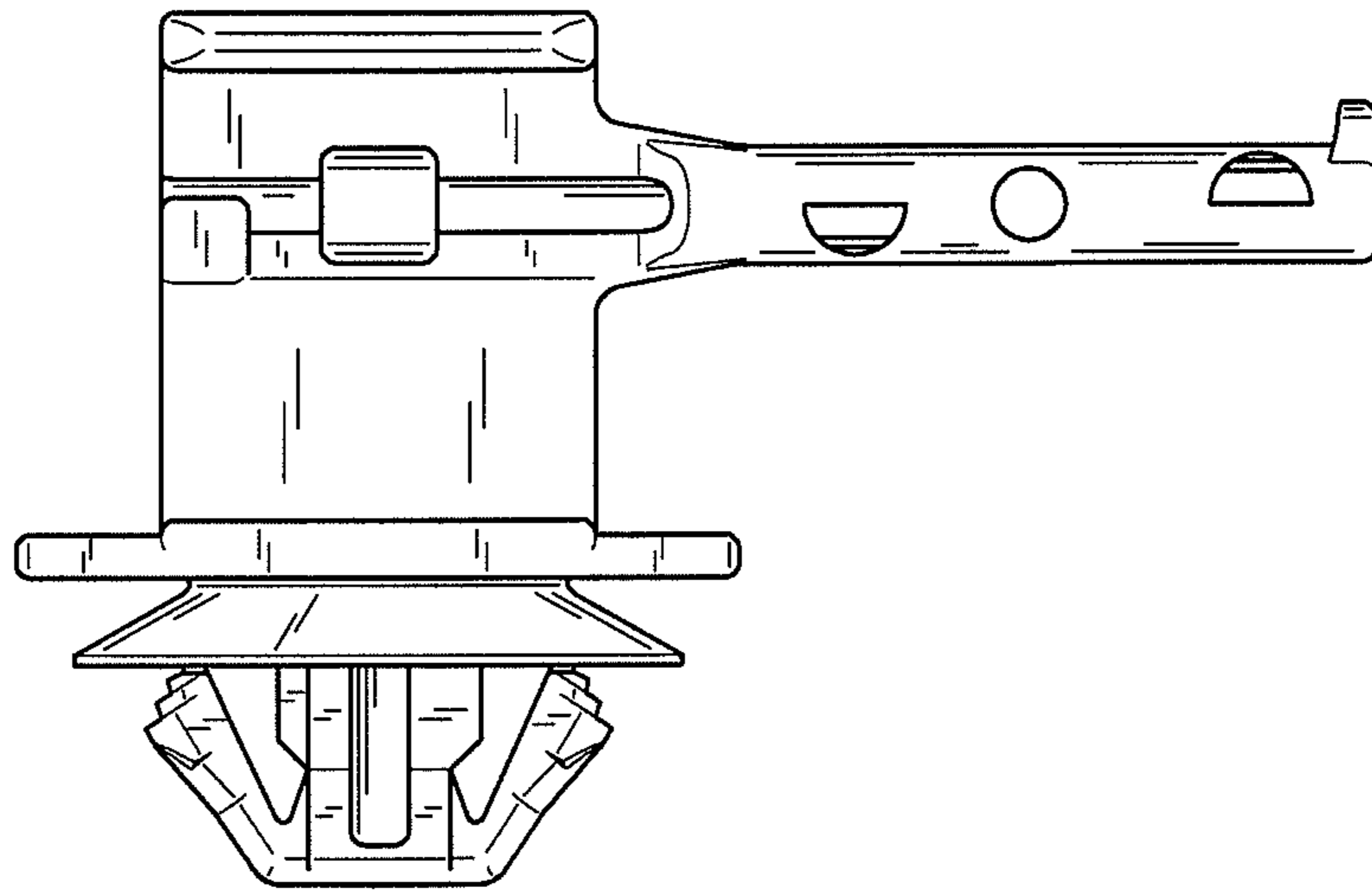


Fig.14

