



US00D717713S

(12) **United States Design Patent**
Whalen

(10) **Patent No.:** **US D717,713 S**
(45) **Date of Patent:** **** Nov. 18, 2014**

- (54) **STAIRCASE FOR ANIMALS**
- (71) Applicant: **Robert F. Whalen**, Belvidere, IL (US)
- (72) Inventor: **Robert F. Whalen**, Belvidere, IL (US)
- (73) Assignee: **A'Wego Enterprises, Inc.**, Belvidere, IL (US)
- (**) Term: **14 Years**
- (21) Appl. No.: **29/479,231**
- (22) Filed: **Jan. 14, 2014**
- (51) **LOC (10) Cl.** **12-06**
- (52) **U.S. Cl.**
USPC **D12/317**
- (58) **Field of Classification Search**
USPC D12/300-318; D25/62, 63, 64, 68, 69;
52/182, 183; 114/362; 182/22, 84, 88,
182/91, 96, 156, 159; 119/847, 849
See application file for complete search history.

5,876,051	A *	3/1999	Sage, Sr.	280/166
5,957,237	A *	9/1999	Tigner	182/127
6,938,572	B1 *	9/2005	Besecker et al.	114/361
6,966,597	B2 *	11/2005	Tegtmeier	296/62
8,091,294	B2 *	1/2012	Whalen	52/183
D664,494	S *	7/2012	Schenk	D12/317
2009/0188444	A1 *	7/2009	Whalen	119/849

* cited by examiner

Primary Examiner — Cynthia M Chin

(74) *Attorney, Agent, or Firm* — Reinhart Boerner Van Deuren P.C.

(57) **CLAIM**

I claim the ornamental design for a staircase for animals, as shown and described.

DESCRIPTION

FIG. 1 is a perspective view of the staircase for animals;
 FIG. 2 is a front view thereof;
 FIG. 3 is a back view thereof;
 FIG. 4 is a top view thereof;
 FIG. 5 is a bottom view thereof;
 FIG. 6 is a side view thereof; and,
 FIG. 7 is a side view thereof showing the side opposite that shown in FIG. 6.

The broken lines shown in the drawings show portions of the staircase for animals and environmental structure that each form no portion of the claimed design.

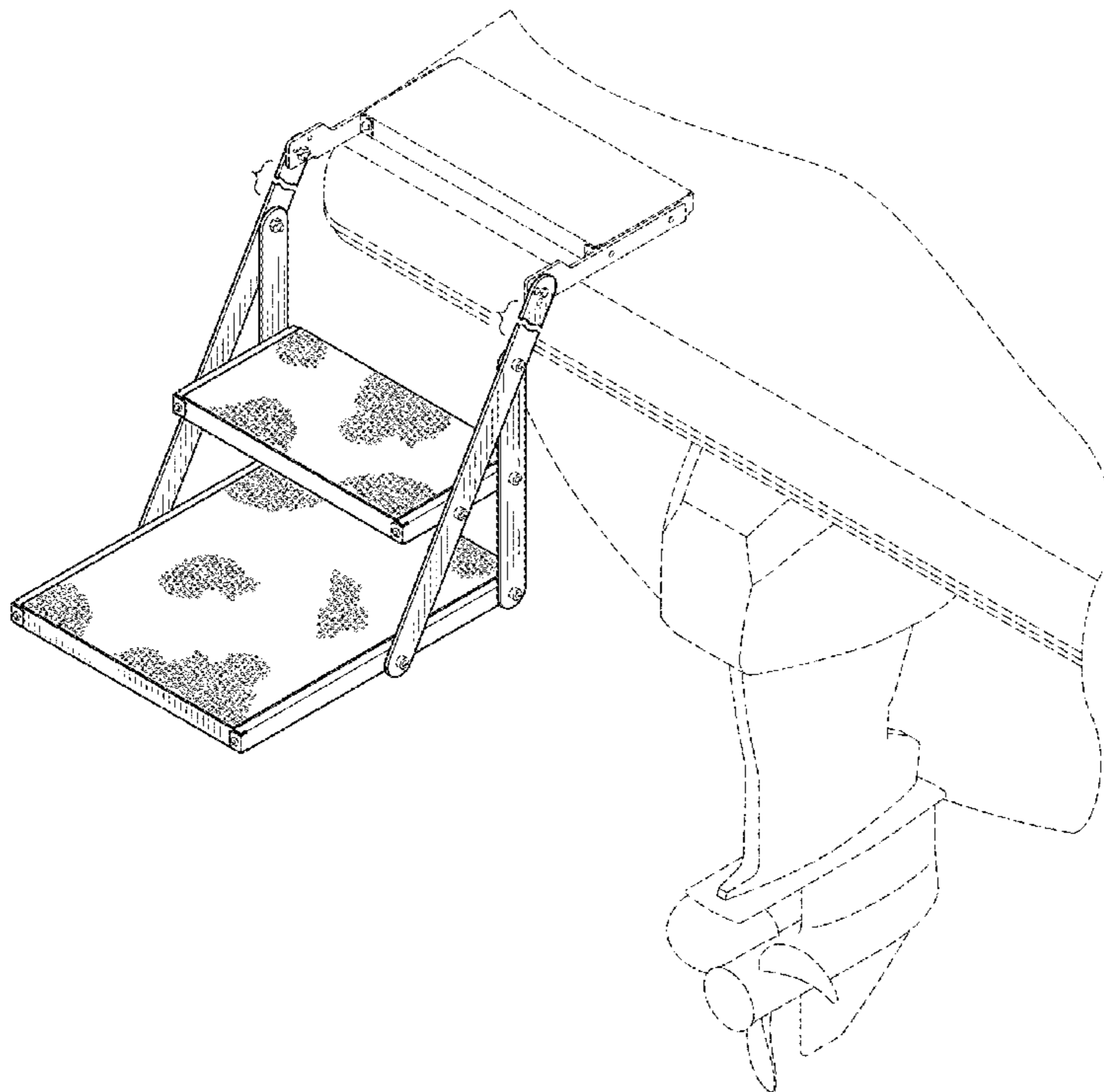
The broken away symbols in the drawings indicate the appearance of any portion of the article between the break lines forms no part of the claimed design.

1 Claim, 4 Drawing Sheets

(56) **References Cited**

U.S. PATENT DOCUMENTS

3,462,170	A *	8/1969	Smith et al.	280/166
4,108,457	A *	8/1978	Garrett	280/166
4,293,967	A *	10/1981	Ord	114/362
4,623,160	A *	11/1986	Trudell	280/166
4,959,935	A *	10/1990	Stob	52/183
D359,470	S *	6/1995	Allyn	D12/317



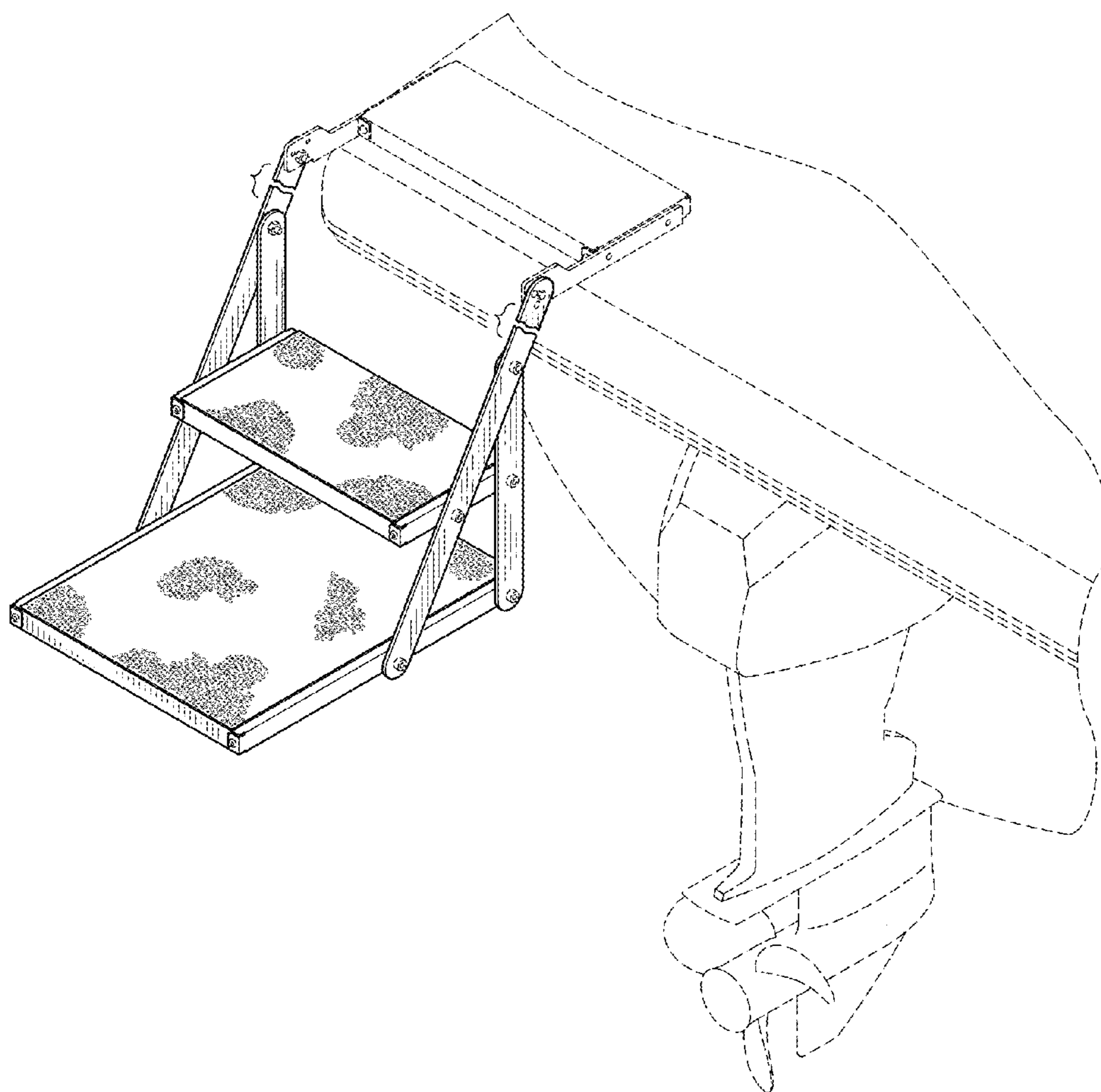


FIG. 1

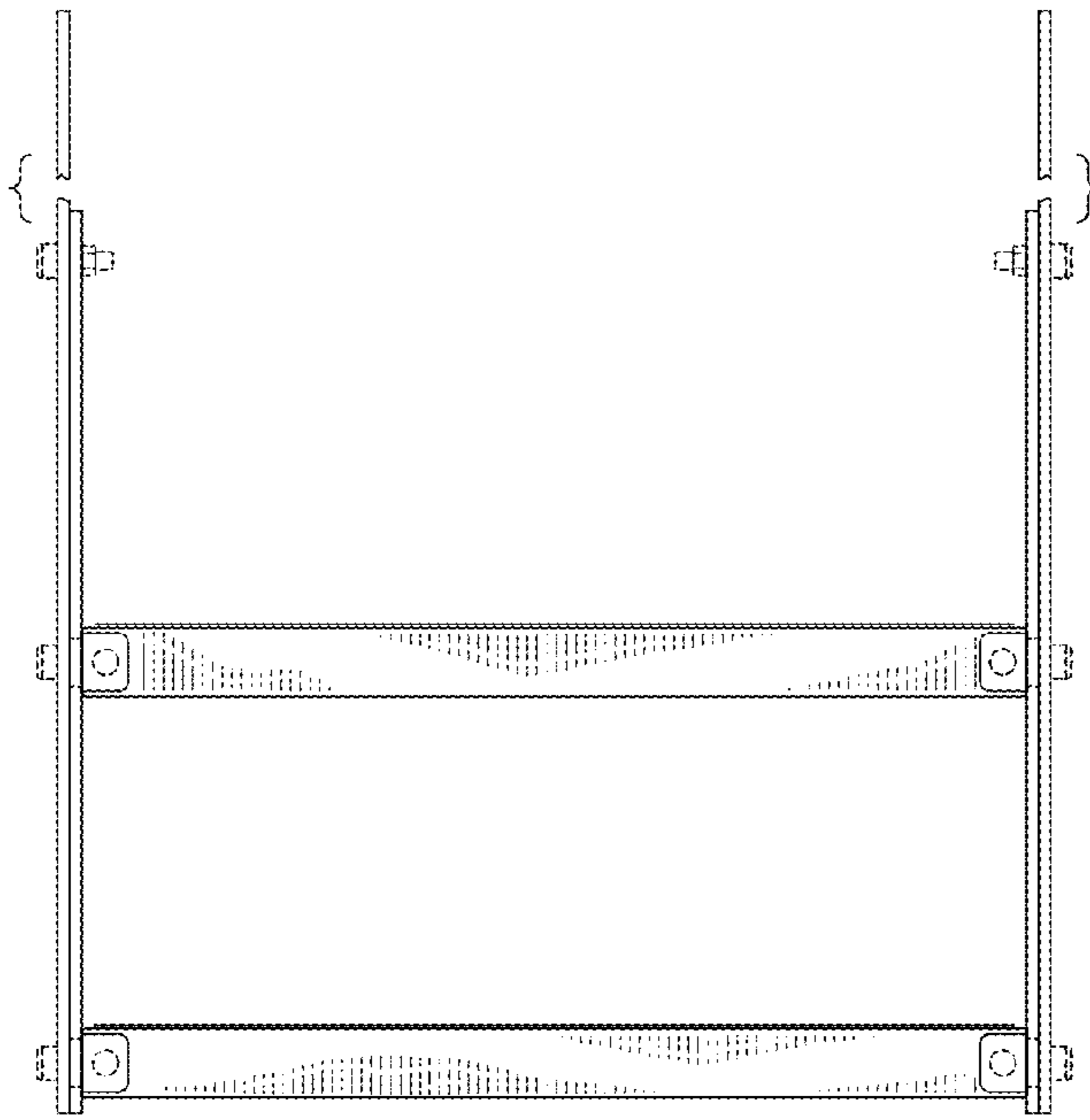


FIG. 2

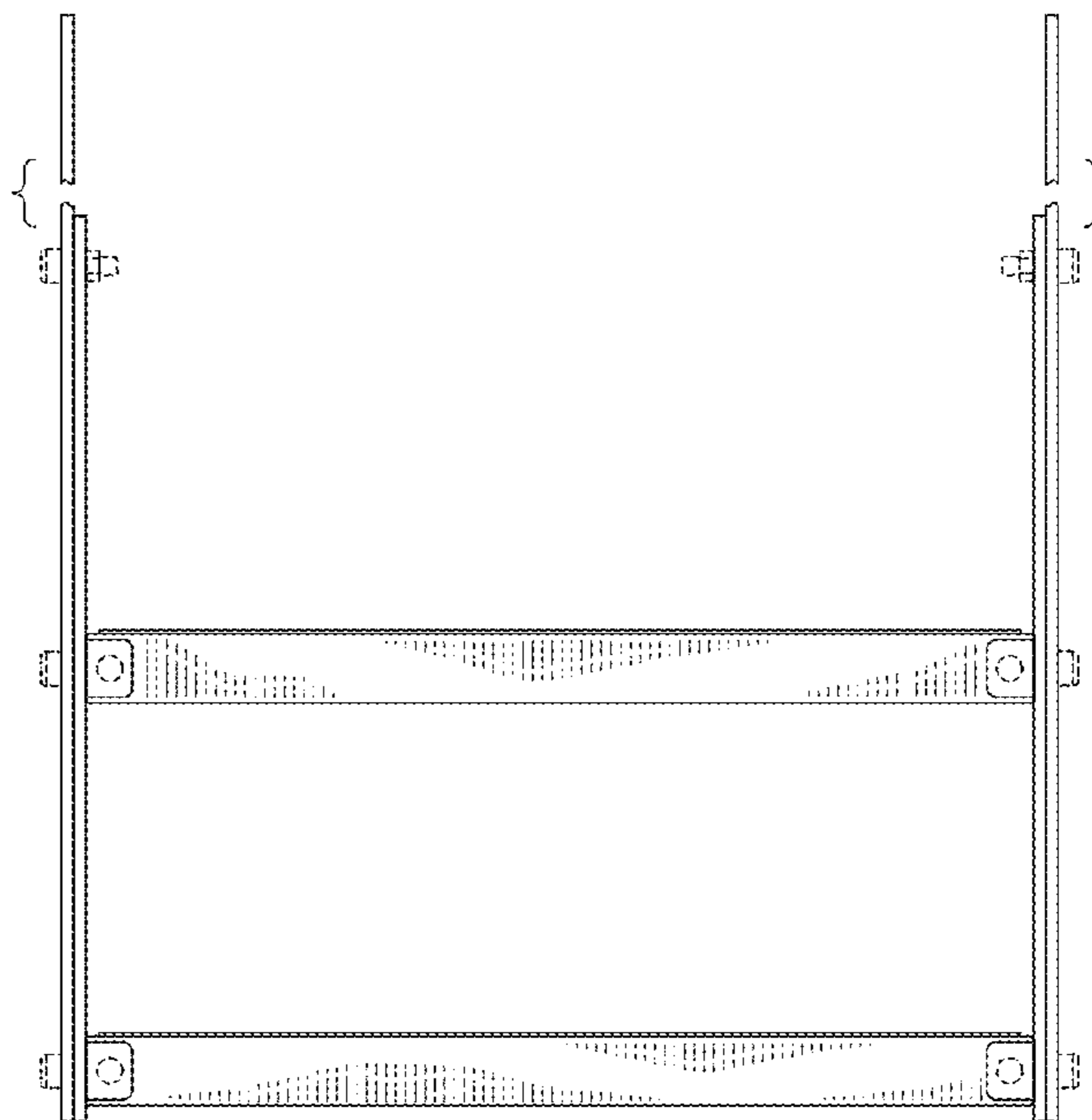


FIG. 3

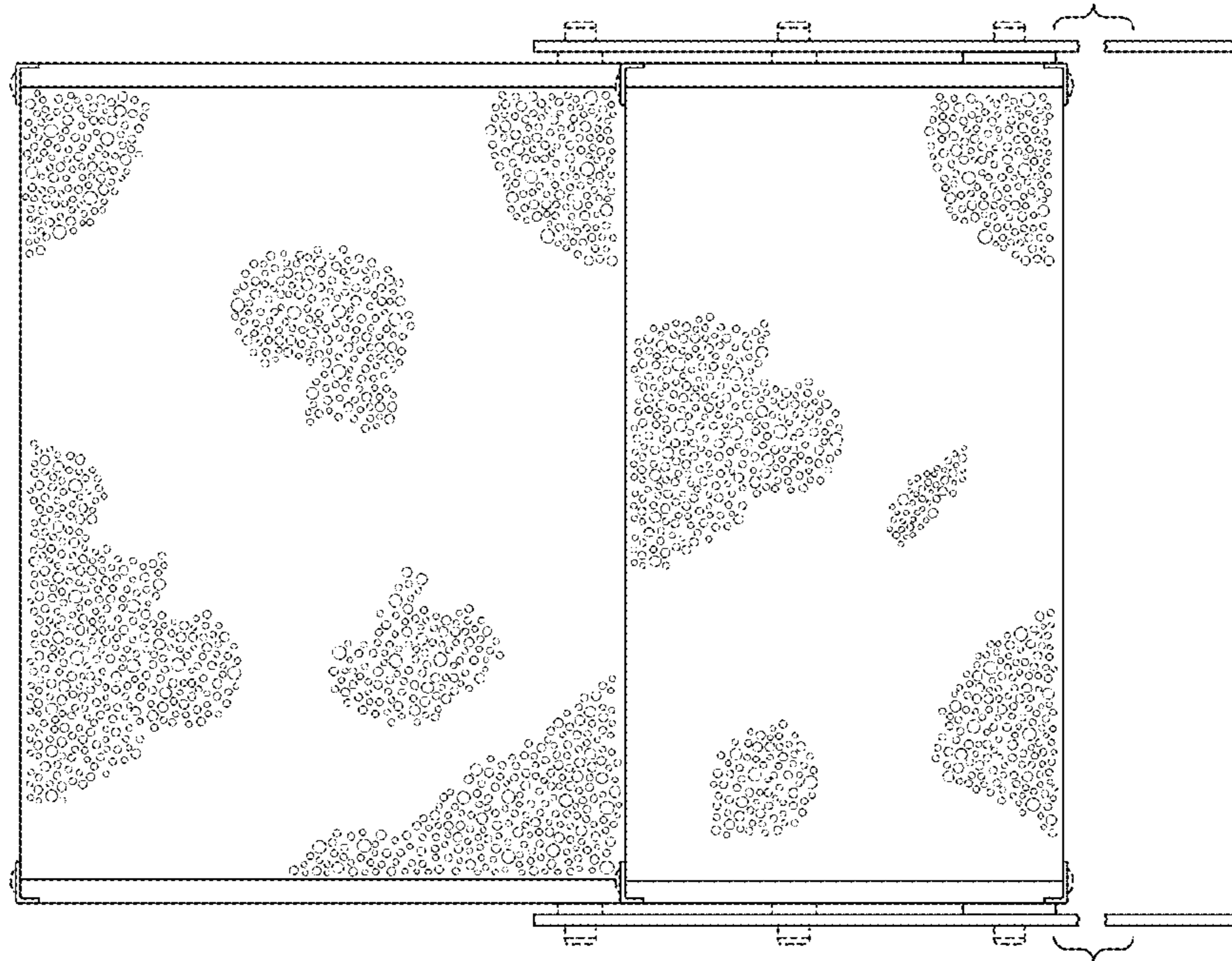


FIG. 4

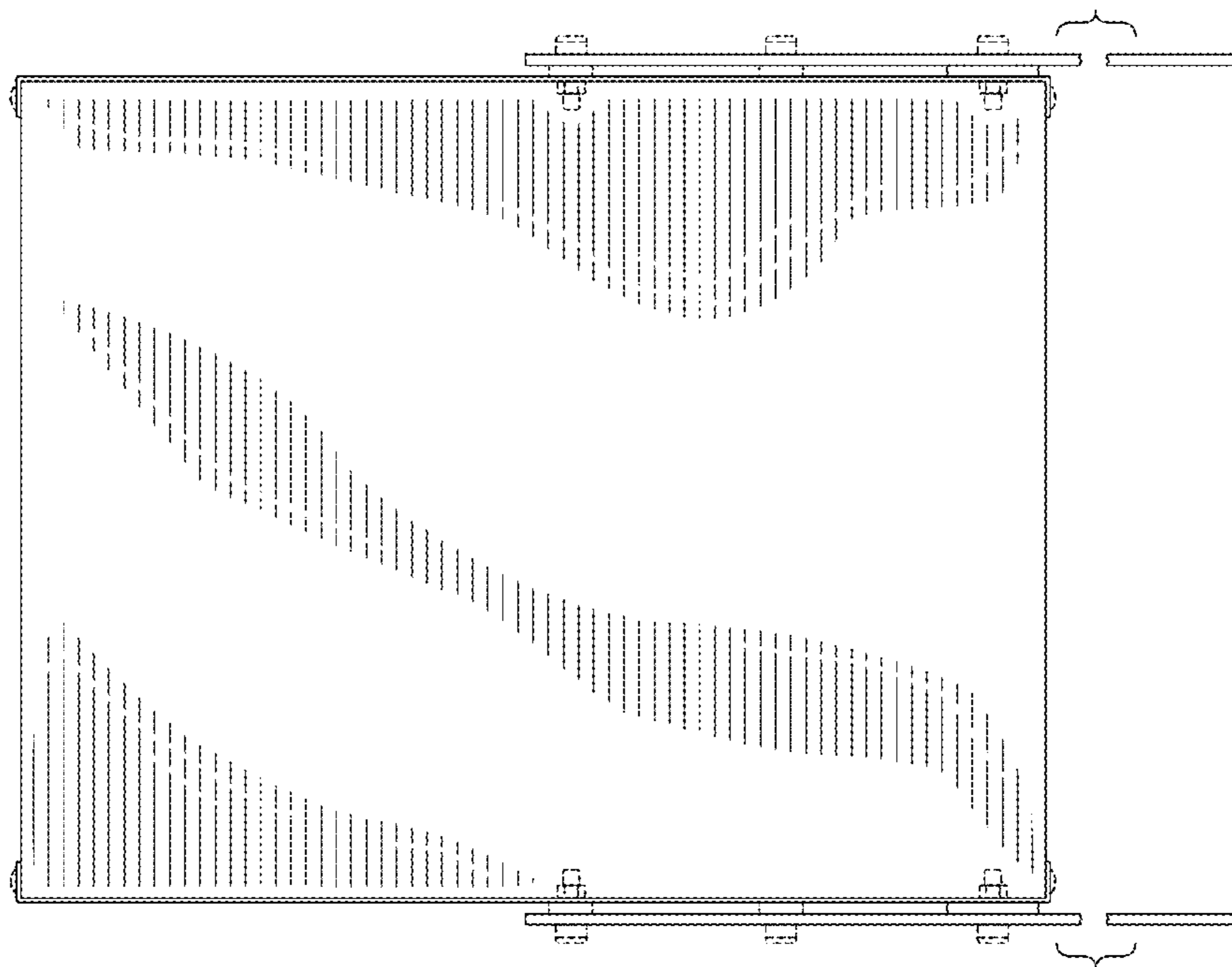


FIG. 5

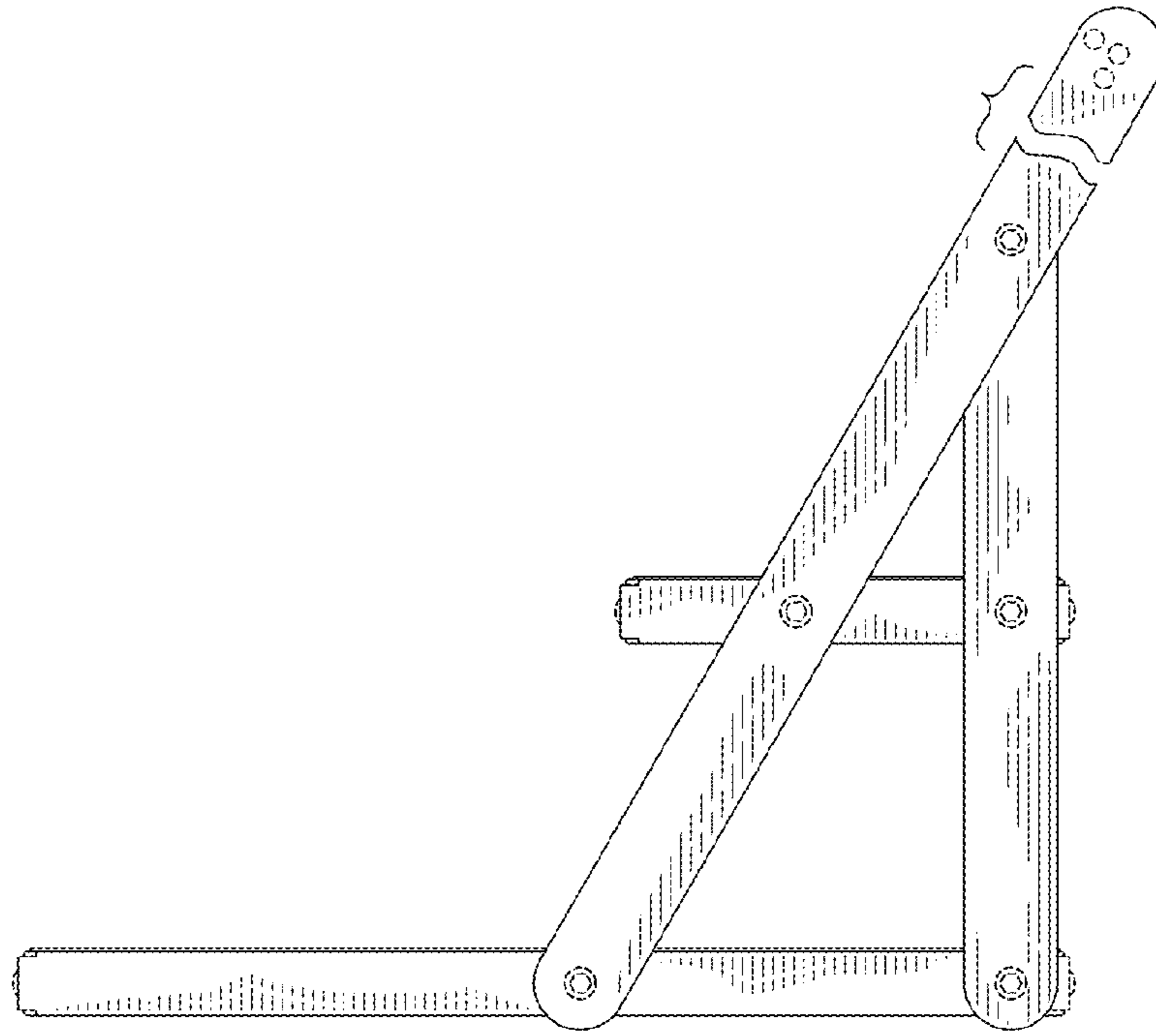


FIG. 6

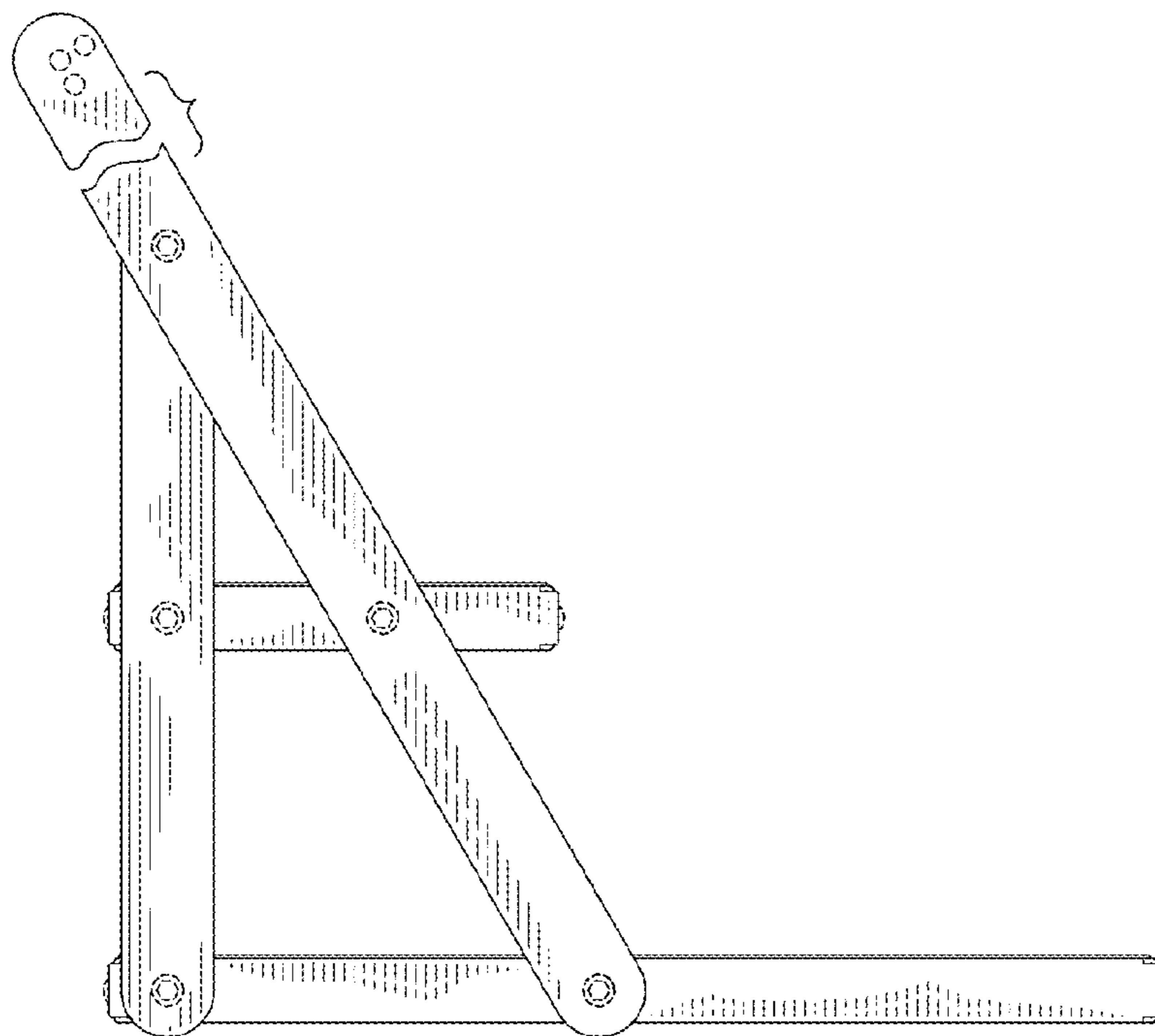


FIG. 7