



US00D717712S

(12) **United States Design Patent**  
**Teige**

(10) **Patent No.:** **US D717,712 S**

(45) **Date of Patent:** **\*\* Nov. 18, 2014**

- (54) **SHIP**
- (71) Applicant: **Stian Teige**, Ålesund (NO)
- (72) Inventor: **Stian Teige**, Ålesund (NO)
- (\*\*) Term: **14 Years**
- (21) Appl. No.: **29/446,853**
- (22) Filed: **Feb. 27, 2013**
- (51) **LOC (10) Cl.** ..... **12-06**
- (52) **U.S. Cl.**  
USPC ..... **D12/300**
- (58) **Field of Classification Search**  
USPC ..... 114/71, 56.1, 65 R, 140, 151, 15, 121,  
114/78, 82, 66.33, 356, 343, 61.3, 61.1,  
114/61.2, 61.27, 271, 288, 39.15, 77 R, 274,  
114/362, 373, 5, 369, 375, 68; D32/69;  
D2/898, 919; D21/542, 543; 89/36.12;  
244/12.1; 440/3, 38, 40; 220/543  
See application file for complete search history.

6,058,864	A *	5/2000	Mannerfelt	.....	114/61.28
D536,657	S *	2/2007	Rohden et al.	.....	D12/300
D555,570	S *	11/2007	Kamsvag	.....	D12/300
D570,277	S *	6/2008	Jackson	.....	D12/300
D580,844	S	11/2008	Rohden et al.		
8,096,252	B2 *	1/2012	Huang	.....	114/67 A
D657,729	S *	4/2012	Kleven	.....	D12/300
2009/0288585	A1 *	11/2009	Mitsui et al.	.....	114/61.27
2010/0064959	A1 *	3/2010	Huang	.....	114/67 A
2013/0065461	A1 *	3/2013	Pearson et al.	.....	440/1

**OTHER PUBLICATIONS**

The Office Action mailed Nov. 27, 2013, which was issued in a related Design U.S. Appl. No. 29/462,275 (8 pages).

\* cited by examiner

*Primary Examiner* — Eric Goodman

*Assistant Examiner* — Ryan Harvey

(74) *Attorney, Agent, or Firm* — Robert P. Michal; Lucas & Mercanti LLP

(57) **CLAIM**

The ornamental design for a ship, as shown and described.

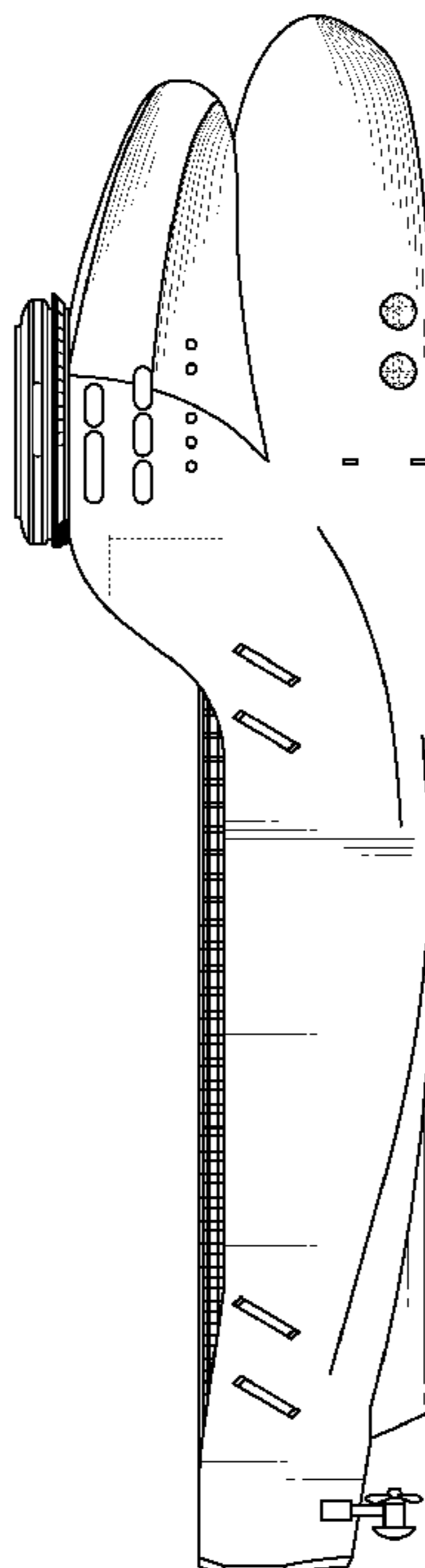
**DESCRIPTION**

FIG. 1 is a right side view of a ship according to the design. The left side view of the ship according to the design is a mirror image of the right side view; FIG. 2 is a top view of the ship; FIG. 3 is a bottom view of the ship; FIG. 4 is a back view of the ship; and, FIG. 5 is a front view of the ship. The broken lines illustrate portions of the article that form no part of the claimed design.

**1 Claim, 4 Drawing Sheets**

(56) **References Cited**  
U.S. PATENT DOCUMENTS

2,141,180	A *	12/1938	Geddes	.....	114/369
3,443,544	A	5/1969	Begizov		
3,521,590	A	7/1970	German et al.		
D221,406	S	8/1971	Kimon et al.		
4,625,670	A *	12/1986	Igielska	.....	114/78
5,176,092	A	1/1993	Czimmek		
5,265,549	A *	11/1993	Cernier	.....	114/61.1
D342,715	S	12/1993	Garrett		
5,701,836	A *	12/1997	Tsui	.....	114/67 A
5,787,828	A *	8/1998	Barbier et al.	.....	114/61.1
D414,457	S	9/1999	Barbier et al.		



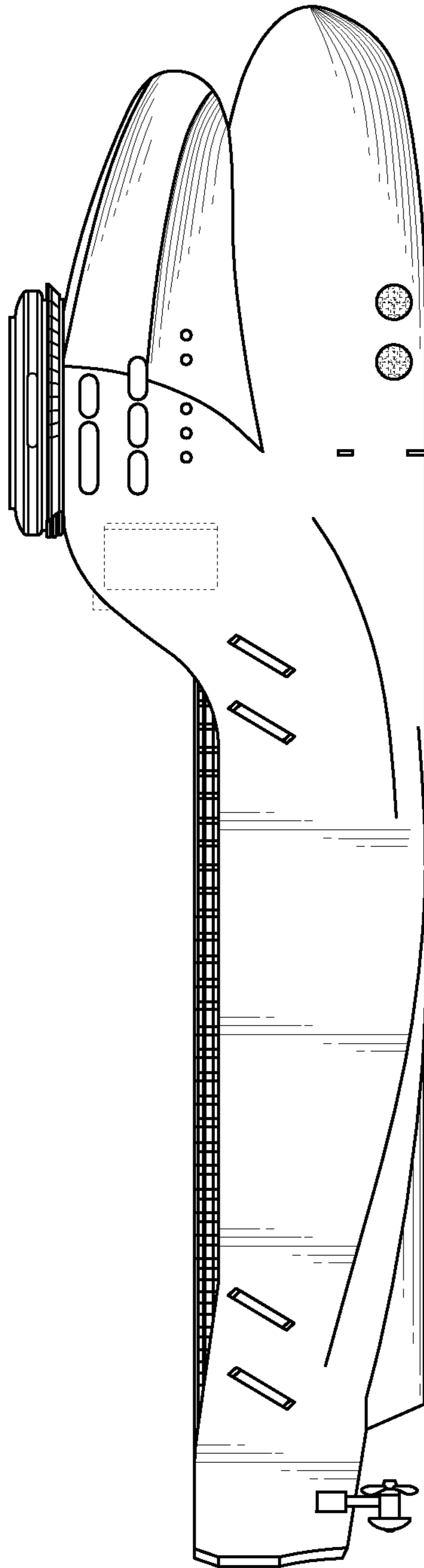


FIG. 1

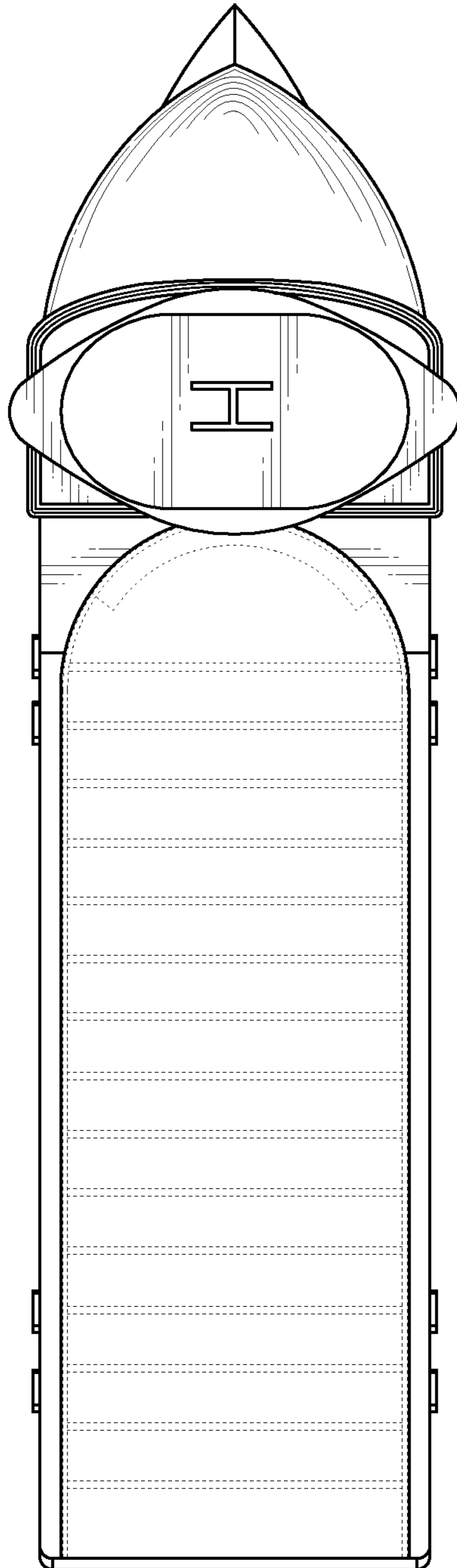


FIG. 2

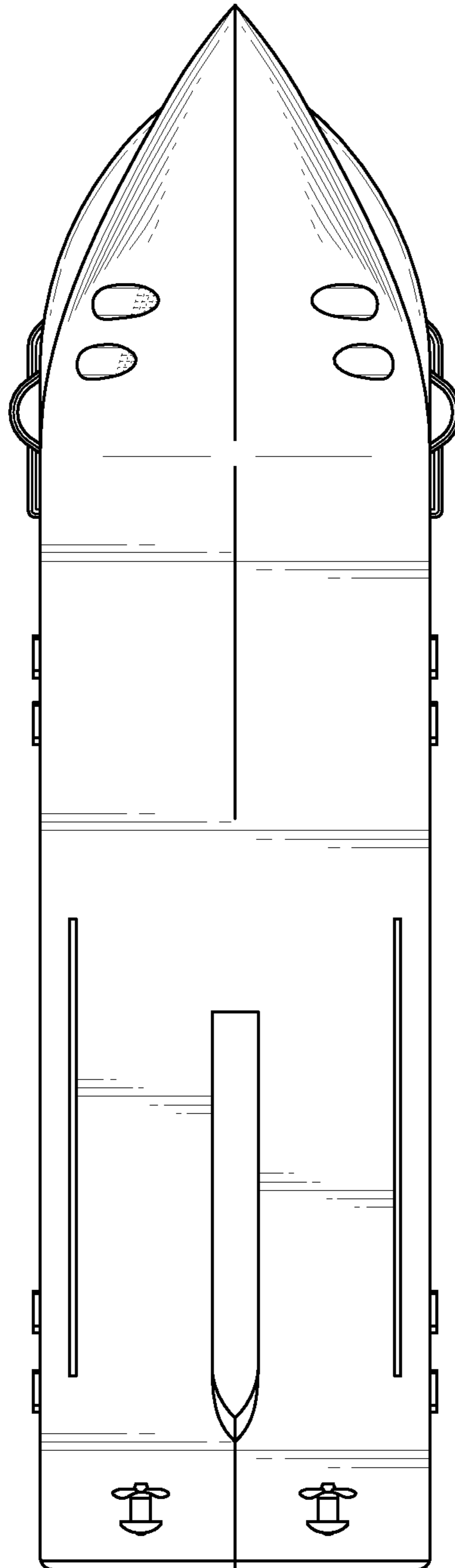


FIG. 3

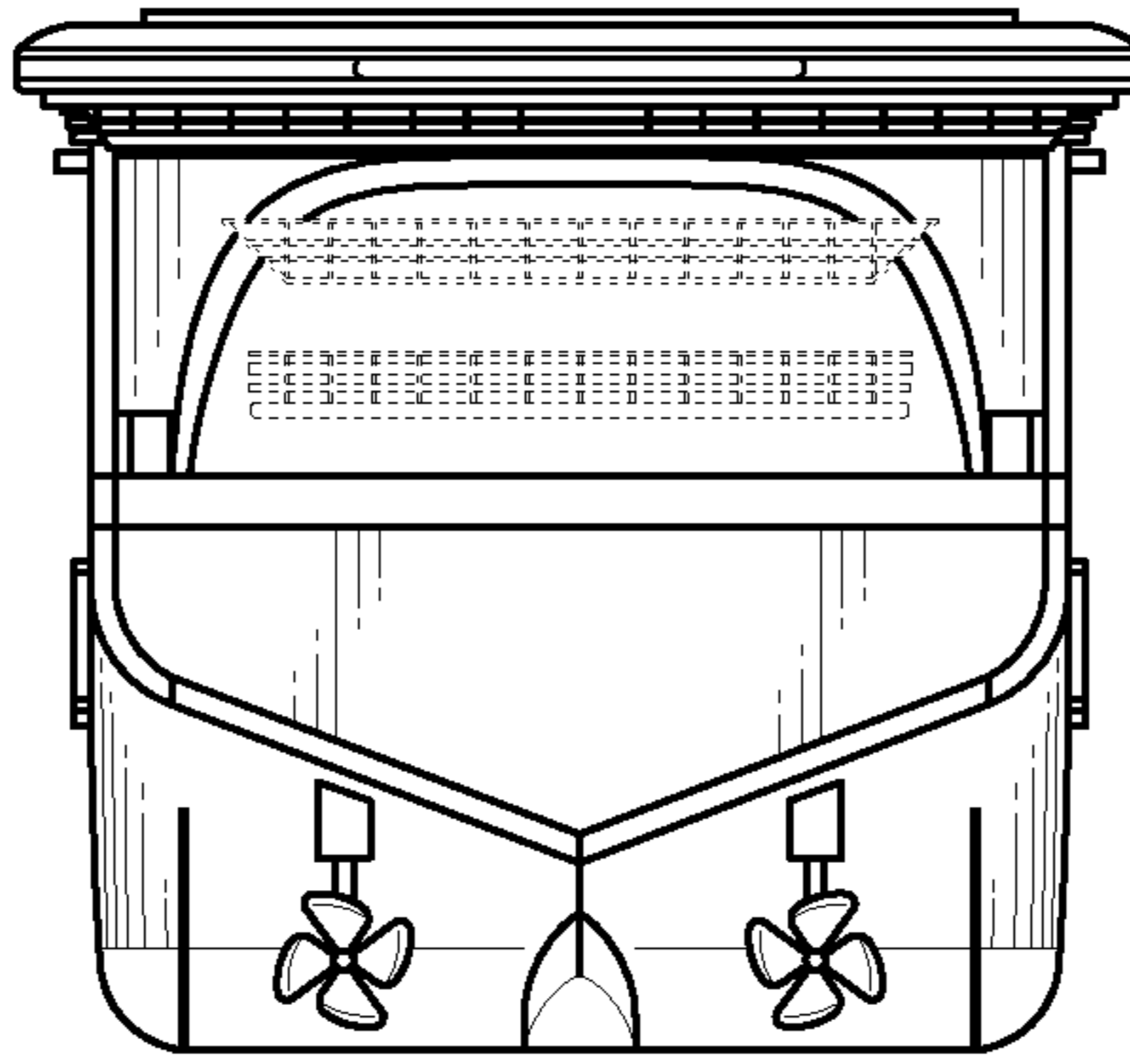


FIG. 4

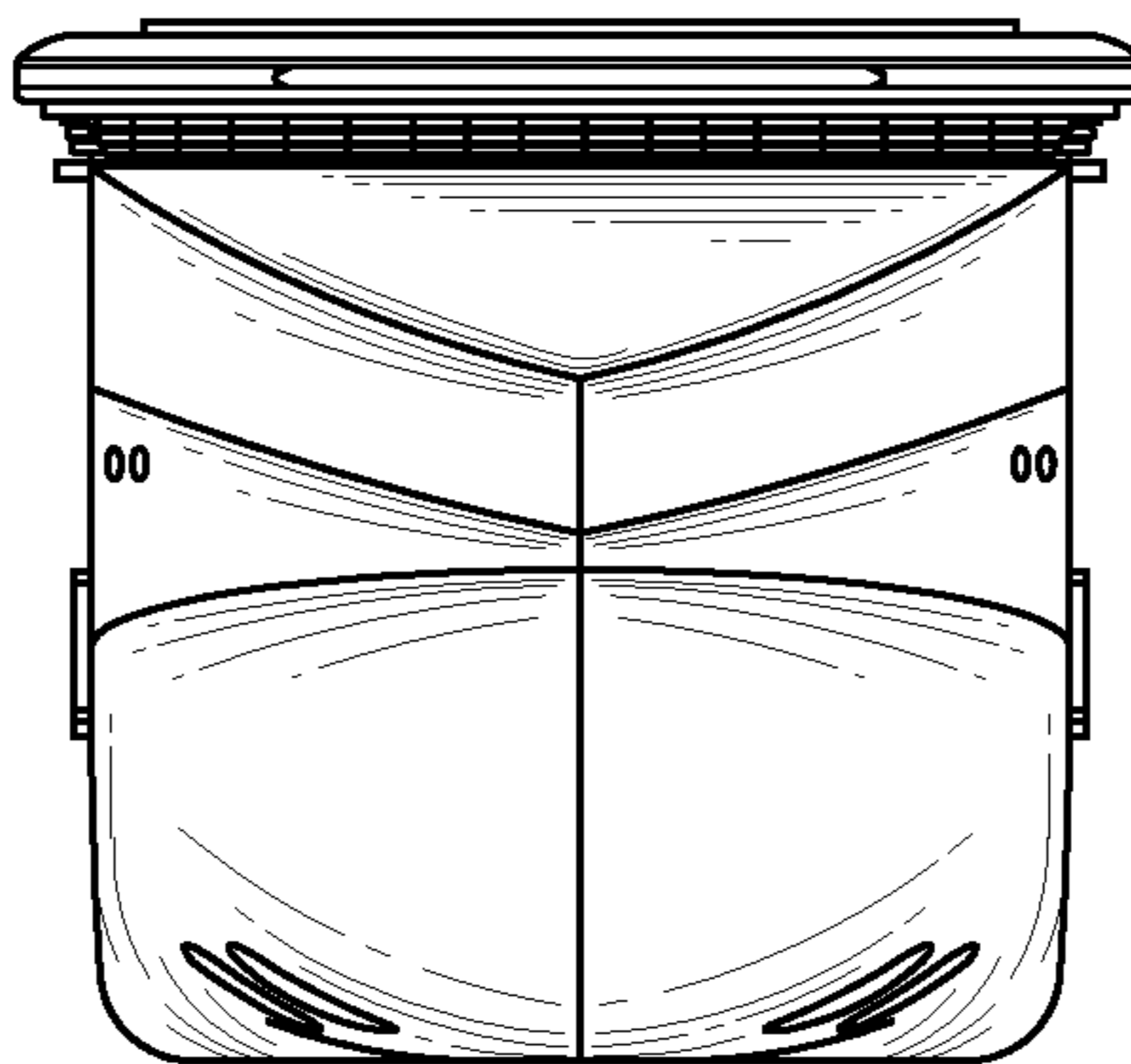


FIG. 5