



US00D717710S

(12) **United States Design Patent**
Chung

(10) **Patent No.:** **US D717,710 S**
(45) **Date of Patent:** **** Nov. 18, 2014**

(54) **AUTOMOTIVE WHEEL**

(71) Applicant: **Suny Chung**, Anaheim, CA (US)

(72) Inventor: **Suny Chung**, Anaheim, CA (US)

(**) Term: **14 Years**

(21) Appl. No.: **29/485,491**

(22) Filed: **Mar. 19, 2014**

(51) **LOC (10) Cl.** **12-16**

(52) **U.S. Cl.**
USPC **D12/211**

(58) **Field of Classification Search**
CPC B60B 7/00; B60B 7/02; B60B 7/04;
B60B 7/01; B60B 7/06; B60B 3/02; B60B
3/04; B60B 3/06; B60B 3/10; B60B 1/00;
B60B 1/08; B60B 1/10; B60B 1/12
USPC D12/204-213
See application file for complete search history.

(56) **References Cited**

U.S. PATENT DOCUMENTS

D409,132 S *	5/1999	Cullen	D12/211
D474,440 S *	5/2003	Oh	D12/211
D516,990 S *	3/2006	Schweizer	D12/211
D521,922 S *	5/2006	Scheu	D12/211
D548,166 S *	8/2007	Young	D12/211
D551,149 S *	9/2007	Elmitt	D12/211

D578,948 S *	10/2008	Asada et al.	D12/211
D585,352 S *	1/2009	Scheu	D12/211
D615,917 S *	5/2010	Zhao	D12/211
D620,874 S *	8/2010	Zhao	D12/211
D641,680 S *	7/2011	Laengerer	D12/211
D659,069 S *	5/2012	Johnson	D12/211
D681,541 S *	5/2013	Kern	D12/211
D689,004 S *	9/2013	Jallad	D12/211
D695,197 S *	12/2013	Jallad	D12/211
D695,672 S *	12/2013	Cortes	D12/211
D702,172 S *	4/2014	Chung	D12/211
D704,617 S *	5/2014	Chung	D12/211

* cited by examiner

Primary Examiner — Stacia Cadmus

(57) **CLAIM**
The ornamental design for an automotive wheel, as shown and described.

DESCRIPTION

FIG. 1 is a perspective view of an automotive wheel, showing my new design; and, FIG. 2 is a front view thereof. The broken line showing of the rear portion of the wheel is included for the purpose of illustrating environment and forms no part of the claimed design.

1 Claim, 2 Drawing Sheets

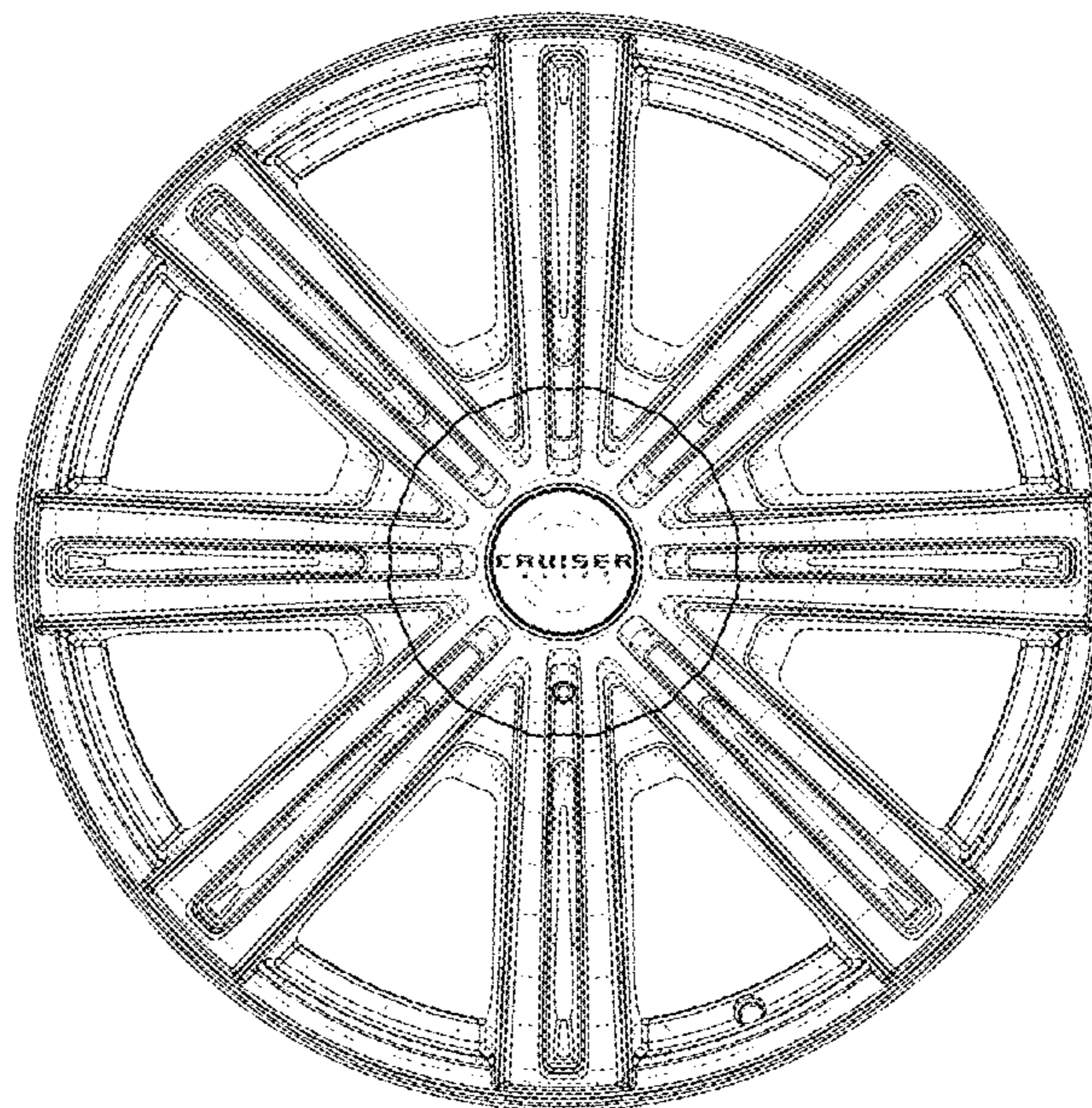
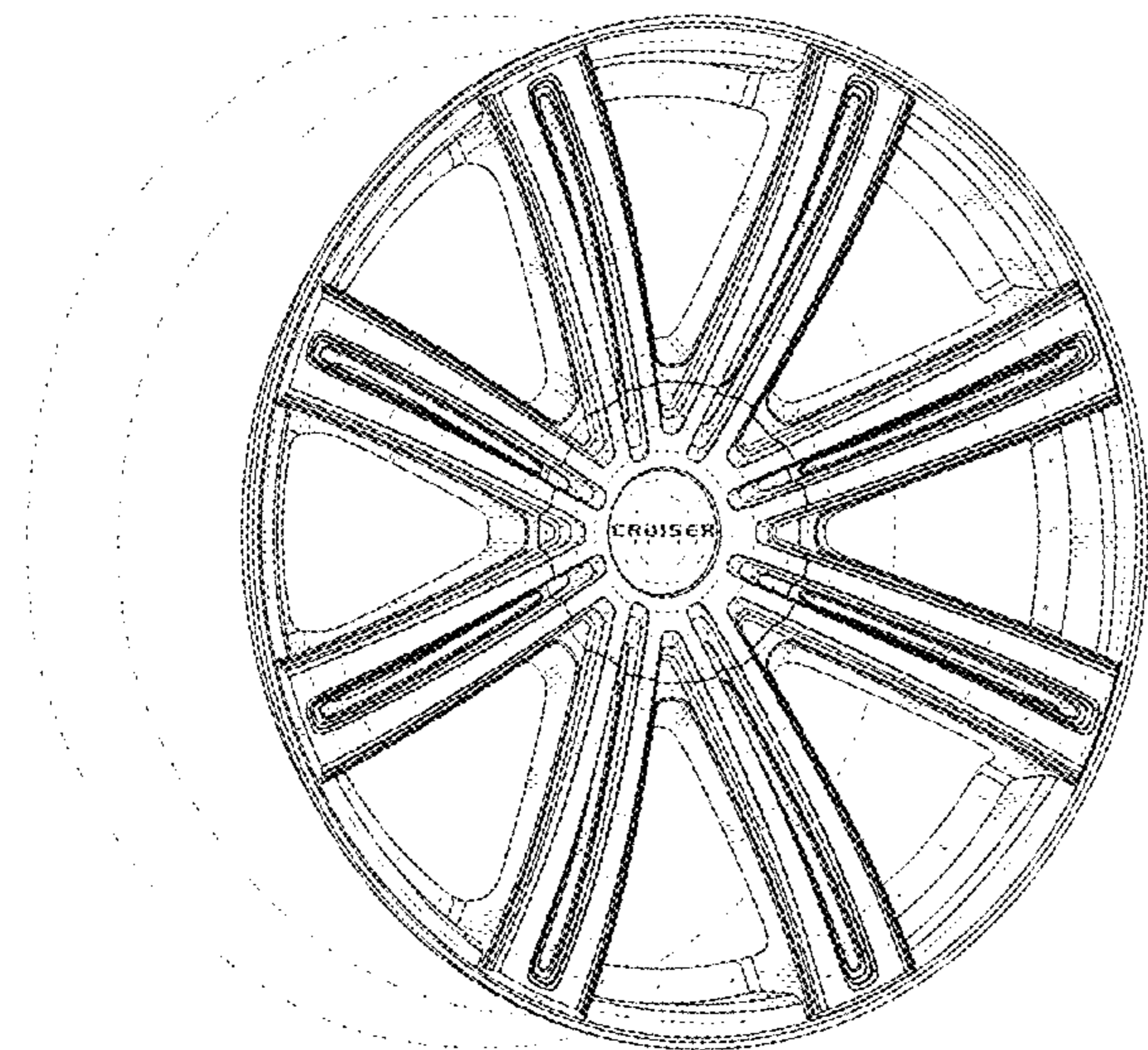


FIGURE 1

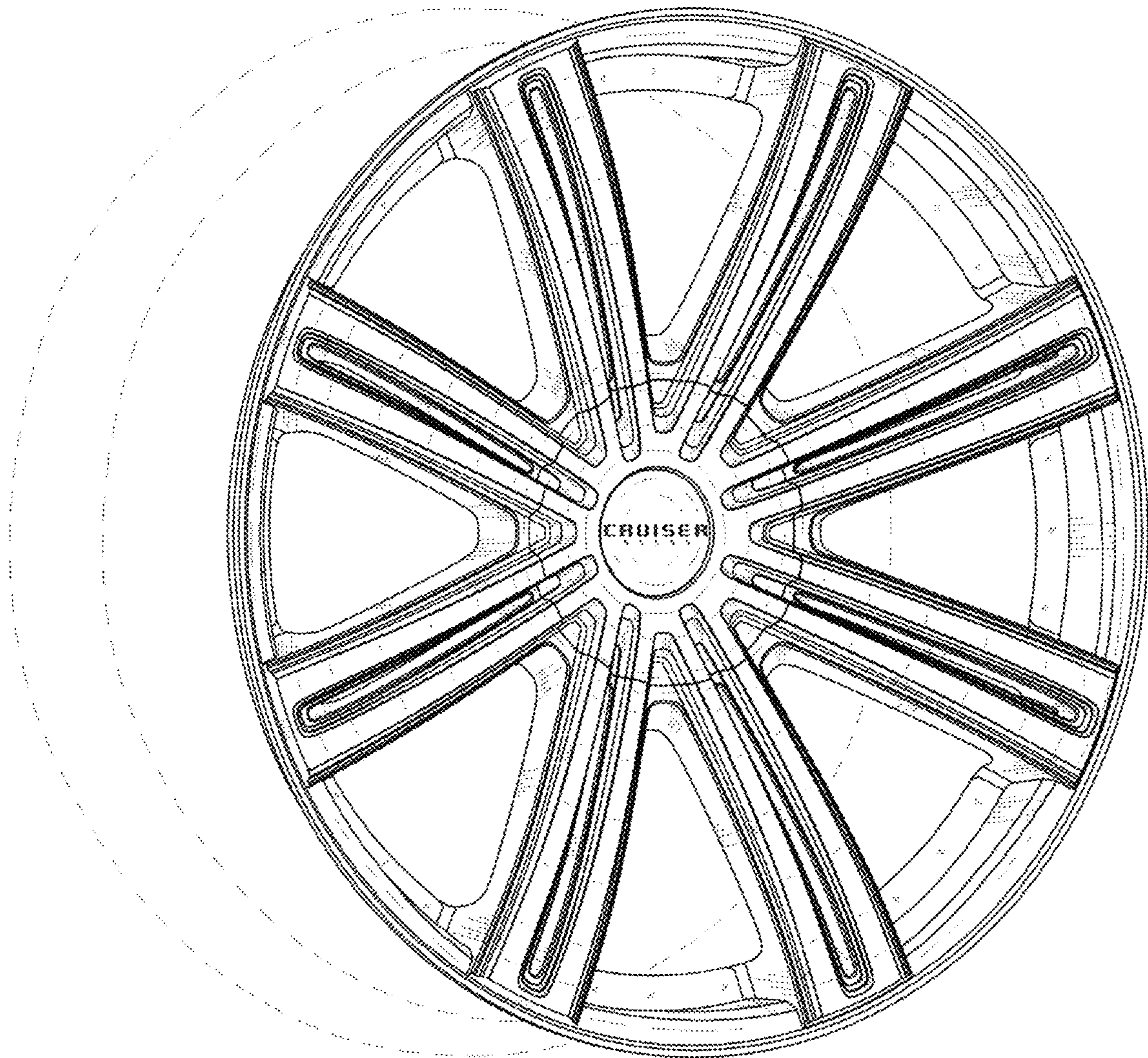


FIGURE 2

