



US00D717708S

(12) **United States Design Patent**  
**Romero et al.**

(10) **Patent No.:** **US D717,708 S**

(45) **Date of Patent:** **\*\* Nov. 18, 2014**

- (54) **VEHICULAR SIDE BAR FOOT STEP**
- (71) Applicants: **Rigoberto Gonzalez Romero**, Zapopan (MX); **Alberto Montoya Aguilar**, Zapopan (MX)
- (72) Inventors: **Rigoberto Gonzalez Romero**, Zapopan (MX); **Alberto Montoya Aguilar**, Zapopan (MX)
- (73) Assignee: **Iddea California, LLC**, Brea, CA (US)
- (\*\*) Term: **14 Years**
- (21) Appl. No.: **29/433,719**
- (22) Filed: **Oct. 4, 2012**
- (51) **LOC (10) Cl.** ..... **12-16**
- (52) **U.S. Cl.**  
USPC ..... **D12/203**
- (58) **Field of Classification Search**  
USPC ..... D12/89, 203, 314; 182/64.1, 127; 280/5.3, 163, 164.2, 166, 169, 291; D25/62, 63, 68, 69  
See application file for complete search history.

- 3,438,667 A 4/1969 Davis
- 3,470,598 A 10/1969 Berthelsen
- 3,610,609 A 10/1971 Sobel
- 3,774,952 A 11/1973 Zorn
- 4,017,093 A 4/1977 Stecker
- 4,168,855 A 9/1979 Koch
- 4,200,303 A 4/1980 Kelly
- 4,274,648 A 6/1981 Robins
- D276,716 S 12/1984 Dignan
- 4,610,458 A 9/1986 Garnham et al.
- 4,639,039 A 1/1987 Donovan
- D293,667 S 1/1988 Weiler
- D296,431 S 6/1988 Yont
- 4,749,191 A 6/1988 Gipson et al.
- 4,753,447 A 6/1988 Hall
- 4,825,975 A 5/1989 Symes
- D306,278 S 2/1990 Hafvenstein
- 4,935,638 A 6/1990 Straka
- 4,943,085 A 7/1990 Straka
- 4,964,256 A 10/1990 McCracken

(Continued)

*Primary Examiner* — Deanna L Pratt  
*Assistant Examiner* — Natasha Vujcic  
 (74) *Attorney, Agent, or Firm* — Stetina Brunda Garred & Brucker

(57) **CLAIM**  
 The ornamental design of the vehicular side bar foot step, as shown and described.

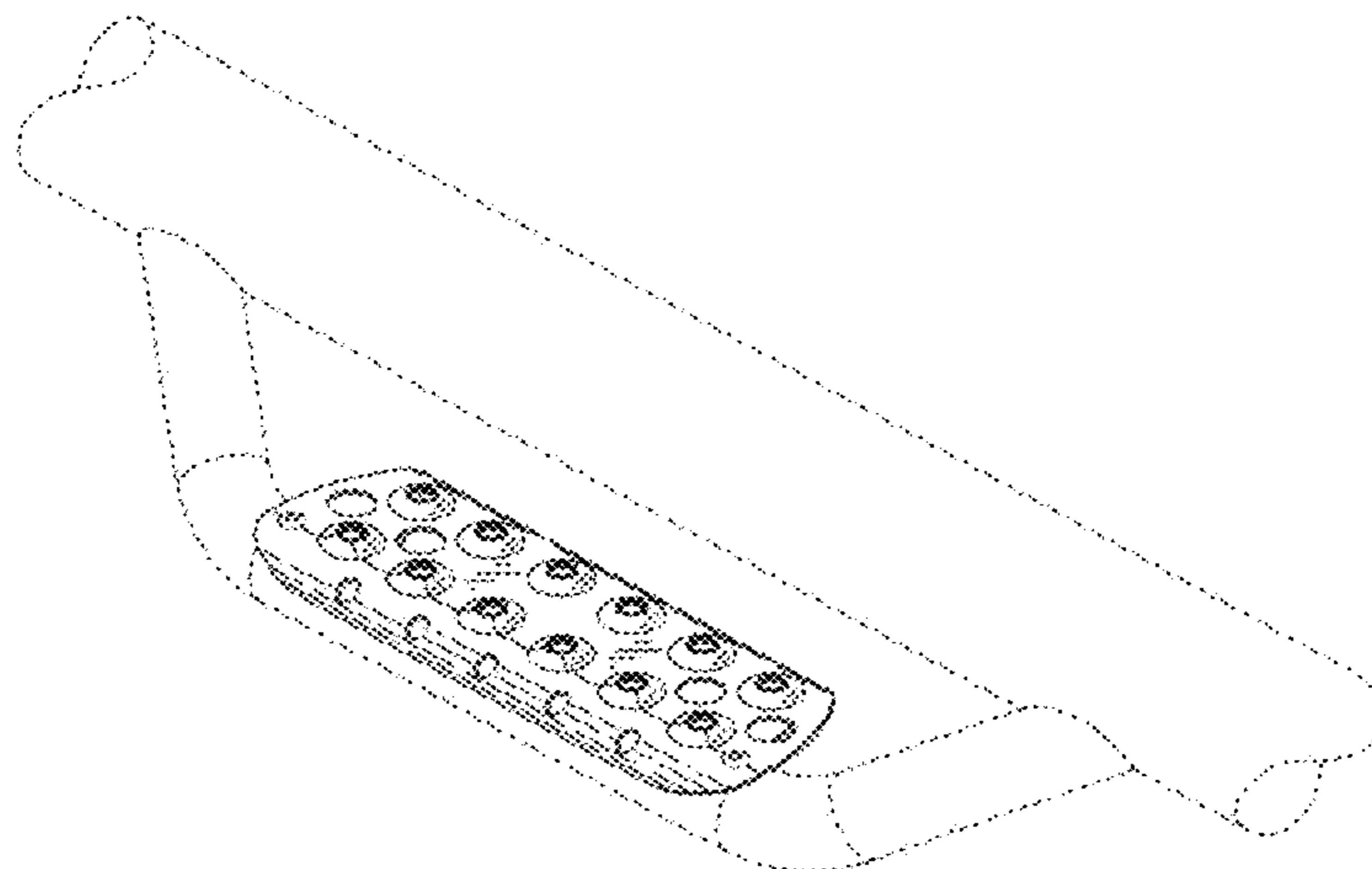
**DESCRIPTION**

FIG. 1 is a perspective view of the vehicular side bar foot step of the present invention showing my new design;  
 FIG. 2 is a top plan view thereof;  
 FIG. 3 is a rear elevational view thereof;  
 FIG. 4 is a bottom plan view thereof;  
 FIG. 5 is a rear elevational view thereof;  
 FIG. 6 is an end view thereof; and,  
 FIG. 7 is a bottom perspective view thereof.  
 The broken lines in the drawings illustrate the environment of the vehicular side bar foot step and form no part of the claimed design.

**1 Claim, 2 Drawing Sheets**

(56) **References Cited**  
 U.S. PATENT DOCUMENTS

- 1,037,122 A 8/1912 Buefingeb
- 1,043,715 A 11/1912 Mitchell
- 1,212,572 A 1/1917 Sheridan
- 1,306,363 A 6/1919 Warman
- 1,688,950 A 10/1928 Wait
- 1,911,413 A 5/1933 Wait
- 2,525,964 A 10/1950 Slaback
- 2,559,123 A 7/1951 Jackson
- 2,649,308 A 8/1953 Bice, Jr.
- 2,687,912 A 8/1954 Beauchamp
- 2,844,864 A 7/1958 Schilberg
- 2,954,256 A 9/1960 Barenyi
- 3,210,110 A 10/1965 Chieger
- D213,043 S 12/1968 Crepean
- 3,431,005 A 3/1969 Priefert



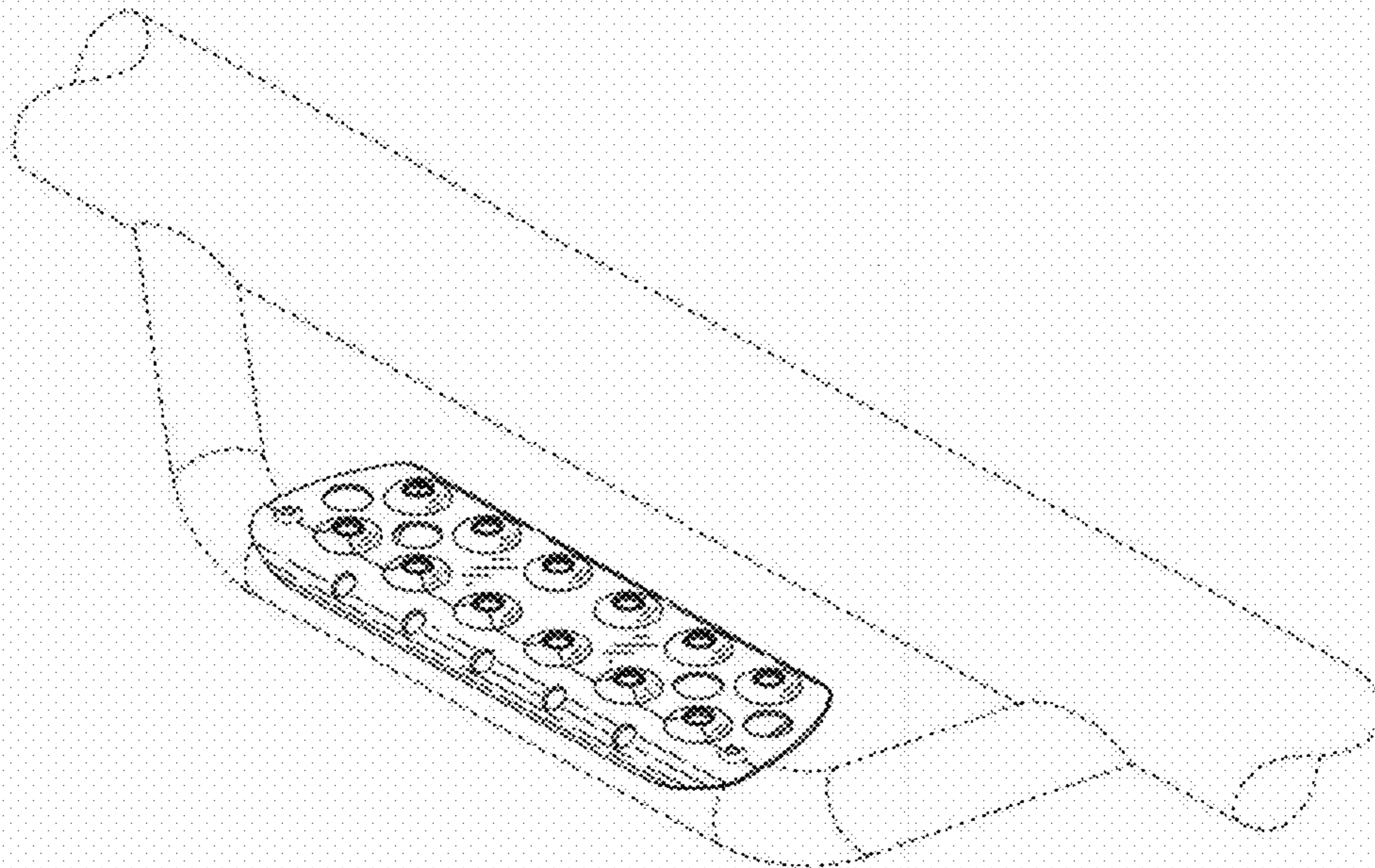
(56)

References Cited

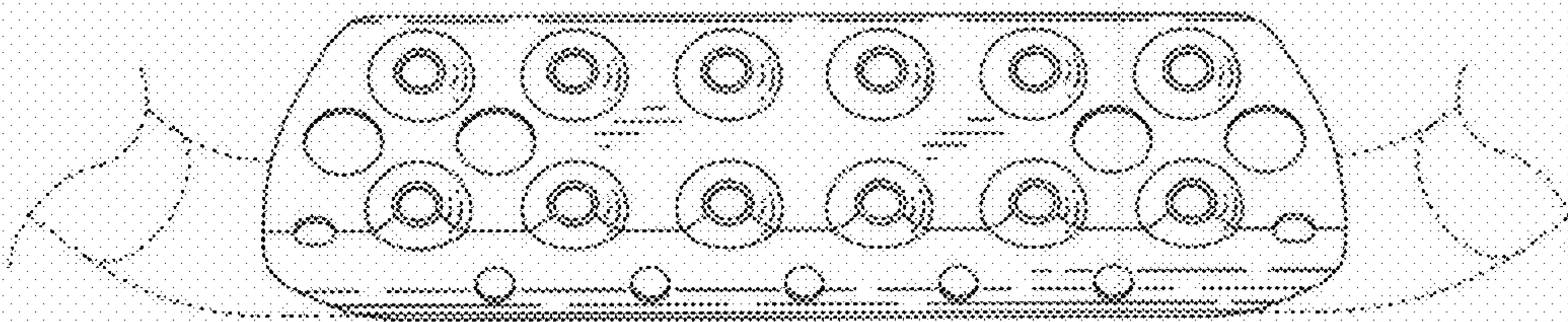
U.S. PATENT DOCUMENTS

4,976,455 A	12/1990	Brammer et al.			
D315,134 S	3/1991	Springer			
5,046,582 A	9/1991	Albrecht			
D320,592 S	10/1991	Straka			
5,067,760 A	11/1991	Moore et al.			
5,137,293 A	8/1992	Graves			
5,139,295 A	8/1992	Escobedo			
D330,536 S	10/1992	Holloway et al.			
5,193,829 A	3/1993	Holloway			
5,215,343 A	6/1993	Fortune			
5,265,896 A	11/1993	Kravitz			
5,277,465 A	1/1994	Weir			
5,286,049 A	2/1994	Khan			
D361,319 S	8/1995	Orth et al.			
5,511,750 A	4/1996	Evenson			
D370,452 S	6/1996	Beasley			
D381,948 S	8/1997	Schult			
5,732,996 A	3/1998	Graffy et al.			
D395,268 S *	6/1998	Tucker	.....	D12/203	
5,895,064 A	4/1999	Laubach			
D415,727 S	10/1999	Jeffries			
D416,831 S	11/1999	Negri			
6,017,045 A	1/2000	Dermody			
6,050,579 A	4/2000	Selland et al.			
D424,006 S	5/2000	Lemieux et al.			
D428,591 S	7/2000	Jeffries			
6,145,861 A *	11/2000	Willis	.....	280/163	
D434,711 S	12/2000	McQuiston			
D436,336 S	1/2001	Sadr			
D437,818 S	2/2001	Mothersele			
D440,931 S	4/2001	Knight, III			
D444,754 S	7/2001	Storer			
6,422,342 B1	7/2002	Armstrong et al.			
6,435,534 B1	8/2002	Stone			
D463,345 S	9/2002	Cipolla			
D464,919 S	10/2002	Pichan			
D474,435 S *	5/2003	Lund et al.	.....	D12/203	
6,588,783 B2	7/2003	Fichter			
D488,759 S	4/2004	Hattori			
6,726,230 B2	4/2004	Weir			
D489,297 S	5/2004	Pichan			
D491,509 S	6/2004	Bundy			
D495,283 S	8/2004	Ashley			
6,874,801 B2	4/2005	Fichter			
D505,901 S	6/2005	Wang			
D511,319 S	11/2005	Wang			
D513,217 S	12/2005	Daws			
D513,398 S	1/2006	Kozak			
D528,057 S	9/2006	Goldstein			
D532,354 S	11/2006	Storer			
D535,928 S *	1/2007	Crandall	.....	D12/203	
D546,745 S *	7/2007	Storer	.....	D12/203	
D549,145 S *	8/2007	Kieffer et al.	.....	D12/203	
D549,146 S *	8/2007	Kieffer et al.	.....	D12/203	
7,287,770 B2 *	10/2007	Drabant et al.	.....	280/163	
7,731,212 B2	6/2010	Storer			
D634,687 S *	3/2011	Vukel	.....	D12/203	
D668,689 S *	10/2012	Bang	.....	D12/203	
D671,874 S *	12/2012	Kekich et al.	.....	D12/203	
D676,368 S *	2/2013	Cover	.....	D12/203	
8,448,968 B1 *	5/2013	Grote et al.	.....	280/163	
2003/0011164 A1 *	1/2003	Cipolla	.....	280/164.1	
2011/0181012 A1	7/2011	Storer			
2011/0266766 A1 *	11/2011	Huang-Tsai	.....	280/169	
2012/0228848 A1 *	9/2012	Fichter	.....	280/163	

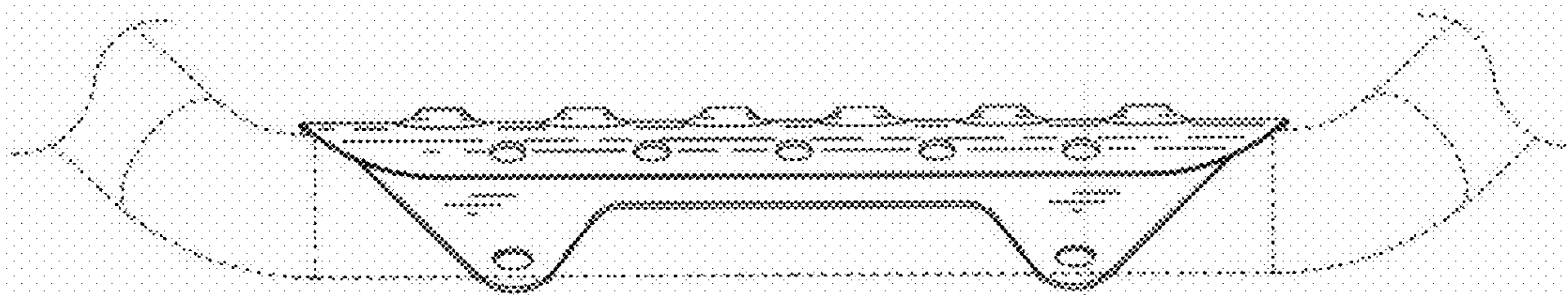
\* cited by examiner



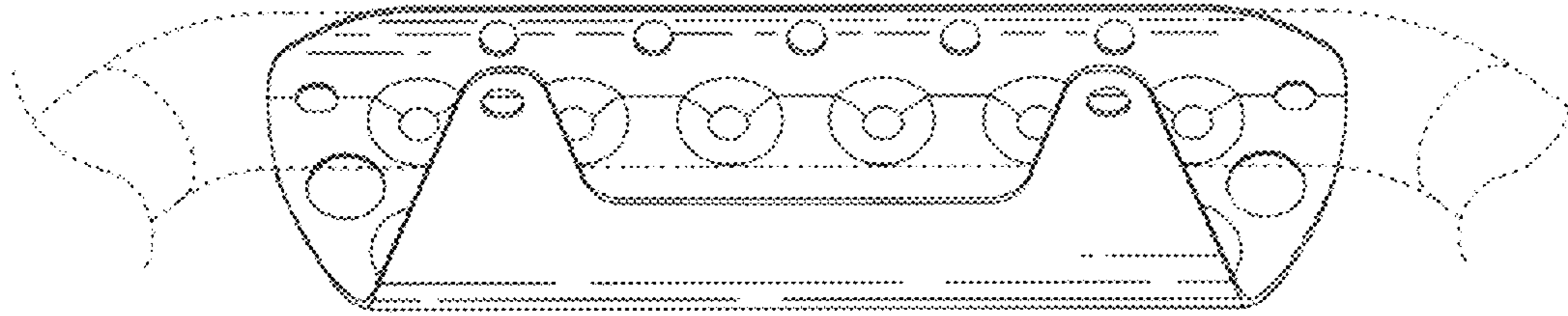
*Fig. 1*



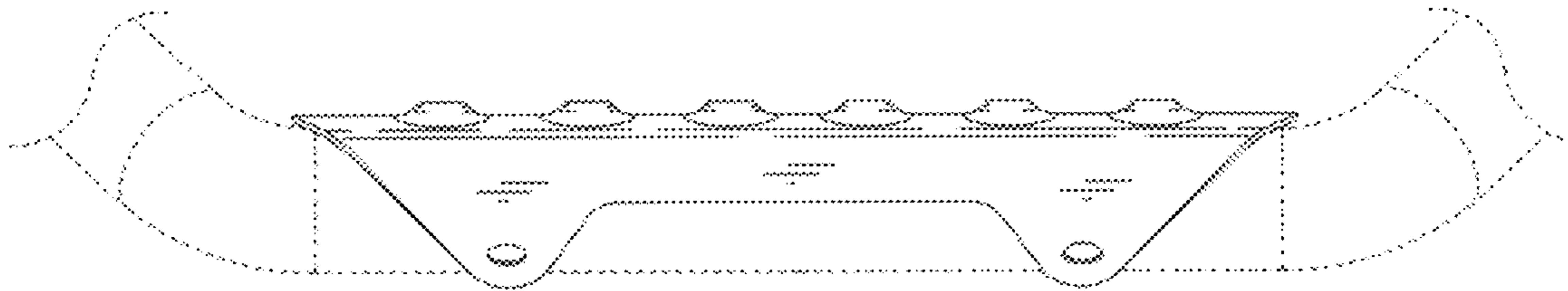
*Fig. 2*



*Fig. 3*



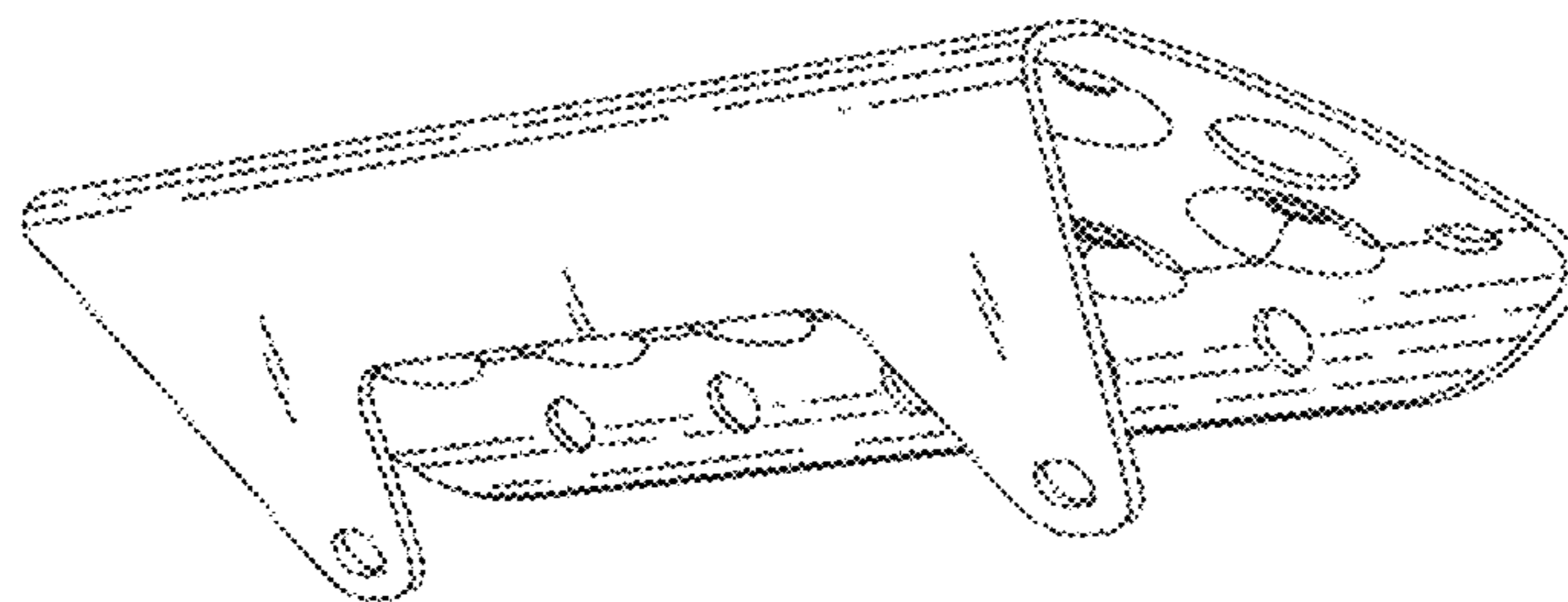
*Fig. 4*



*Fig. 5*



*Fig. 6*



*Fig. 7*