



US00D717702S

(12) **United States Design Patent**
McCardle et al.

(10) **Patent No.:** **US D717,702 S**
(45) **Date of Patent:** **** Nov. 18, 2014**

(54) **AUTOMOTIVE RADIATOR**

(71) Applicants: **Kevin McCardle**, Philadelphia, PA
(US); **Daniel Tafe**, Newark, DE (US)

(72) Inventors: **Kevin McCardle**, Philadelphia, PA
(US); **Daniel Tafe**, Newark, DE (US)

(73) Assignee: **Resource Intl, Inc.**, New Castle, DE
(US)

(**) Term: **14 Years**

(21) Appl. No.: **29/489,258**

(22) Filed: **Apr. 29, 2014**

(51) **LOC (10) Cl.** **12-16**

(52) **U.S. Cl.**
USPC **D12/166**

(58) **Field of Classification Search**
CPC F28F 9/001; F28D 1/05366; F28D 1/0435
USPC D12/164, 165, 166; 165/67, 140, 148,
165/149; 180/68.4; 228/183
See application file for complete search history.

(56) **References Cited**

U.S. PATENT DOCUMENTS

D263,461	S	*	3/1982	Young	D12/166
5,183,103	A	*	2/1993	Tokutake	165/67
6,899,167	B2	*	5/2005	Martins et al.	165/140
7,320,360	B2	*	1/2008	Leitch et al.	165/149
7,395,853	B2	*	7/2008	Kroetsch et al.	165/149
7,500,514	B2	*	3/2009	Heine	165/140
7,637,309	B2	*	12/2009	Contet	165/67
7,637,313	B2	*	12/2009	Taniguchi et al.	165/148
D619,511	S	*	7/2010	Sullivan	D12/166
D647,436	S	*	10/2011	Sullivan	D12/166

8,061,410	B2	*	11/2011	Machanek	165/76
2002/0056541	A1	*	5/2002	Kokubunji et al.	165/67
2010/0059214	A1	*	3/2010	Xu	165/148

OTHER PUBLICATIONS

Mishimoto Automotive. "2008-2010 Ford 6.4L Powerstroke Performance Radiator by Mishimoto . . ." YouTube., Sep. 3, 2013 [online], [retrieved on Sep. 21, 2014]. Retrieved from the Internet <URL: http://www.youtube.com/watch?v=6AyaKA_i0bE>.*
"2011-2014 Ford 6.7L Powerstroke Performance Aluminum Radiator, Part 2: Prototype Design . . ." Mishimoto Engineering., Aug. 29, 2014 [online], [retrieved on Sep. 21, 2014]. Retrieved from the Internet <URL: <http://engineering.mishimoto.com/2014/08/2011-2014-ford-6-7l-powerstroke-performance-aluminum-radiator-part-2-prototype-design-evaluation/>>.*

* cited by examiner

Primary Examiner — Philip S Hyder
Assistant Examiner — Darlington Ly
(74) *Attorney, Agent, or Firm* — Michael J. Sullivan

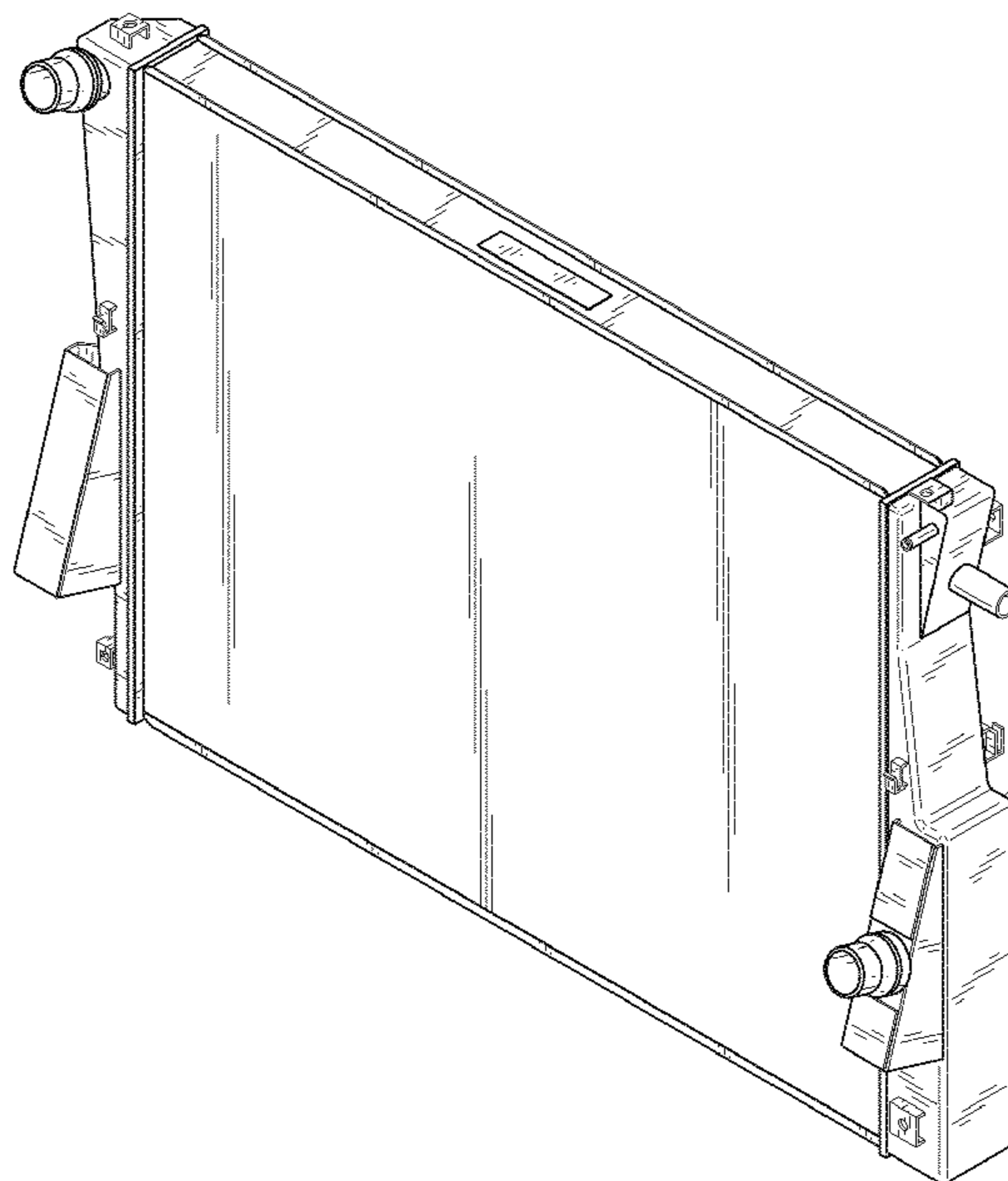
(57) **CLAIM**

The ornamental design for an automotive radiator, as shown and described.

DESCRIPTION

FIG. 1 is a perspective front view of a automotive radiator; FIG. 2 is a front elevation view of the automotive radiator; FIG. 3 is a rear elevation view of the automotive radiator; FIG. 4 is a left side elevation view of the automotive radiator; FIG. 5 is a right side elevation view of the automotive radiator; FIG. 6 is a top plan view of the automotive radiator; and, FIG. 7 is a bottom plan view of the automotive radiator. The broken lines shown in the drawings illustrate portions of the automotive radiator that forms no part of claimed design.

1 Claim, 5 Drawing Sheets



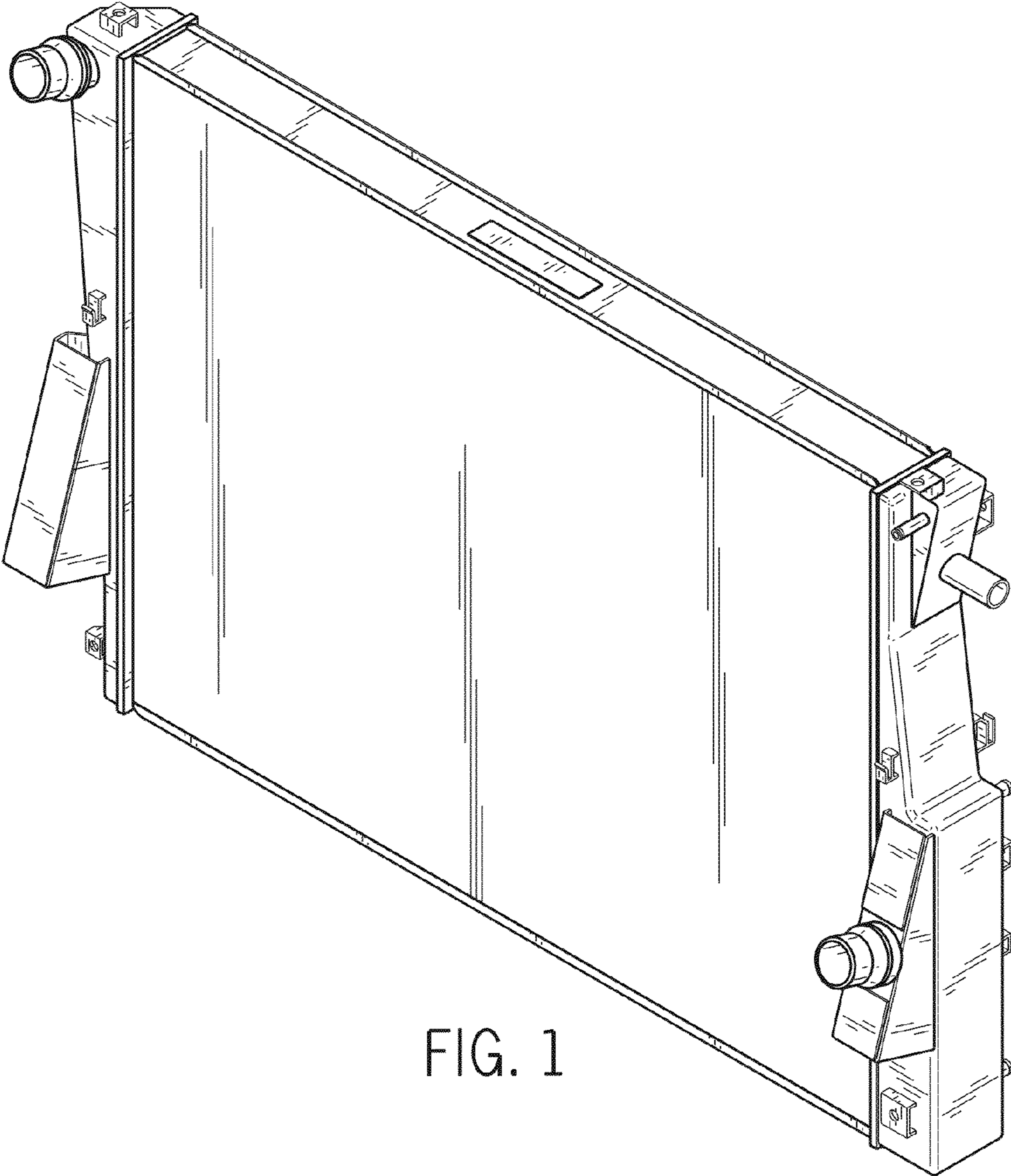


FIG. 1

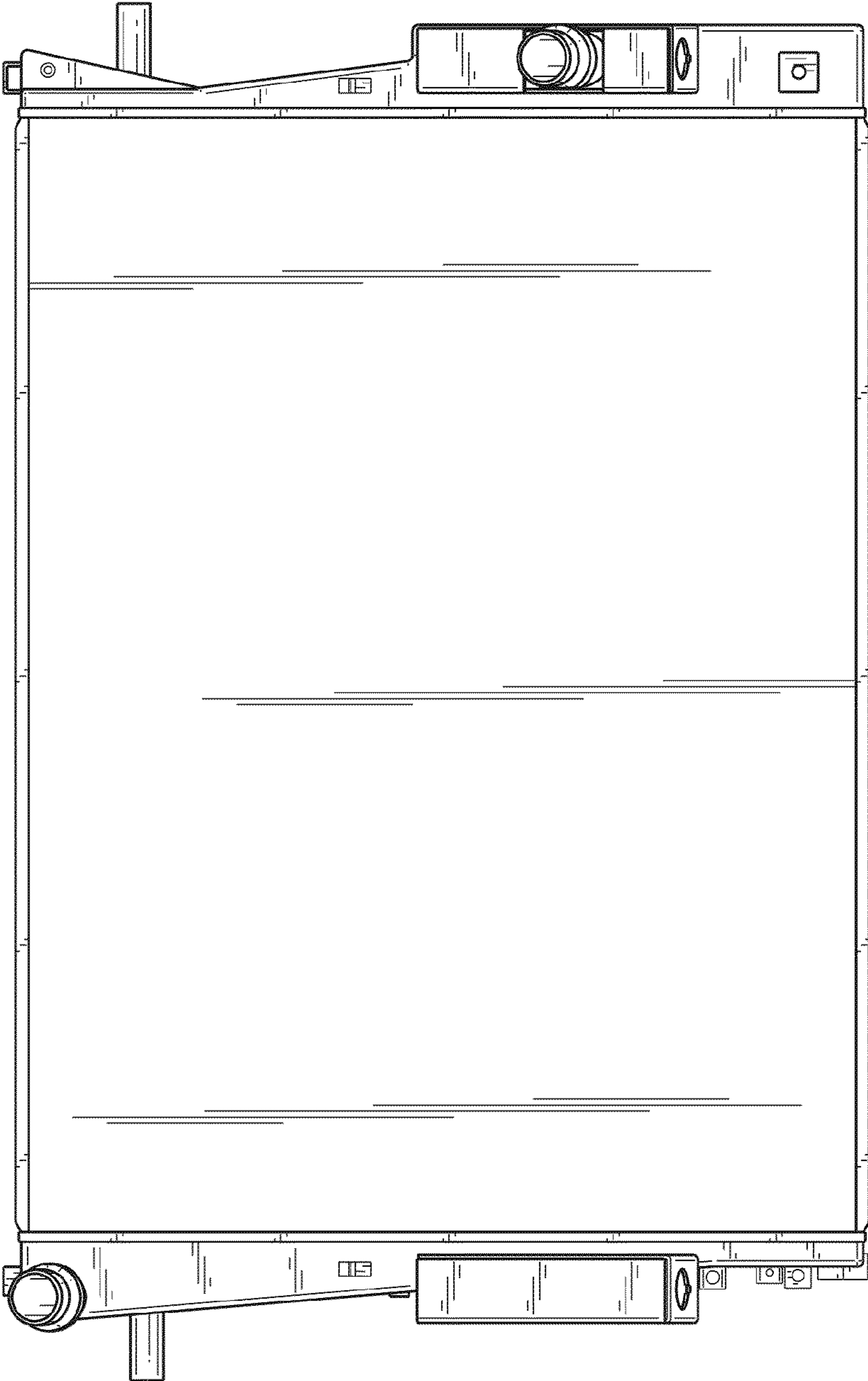


FIG. 2

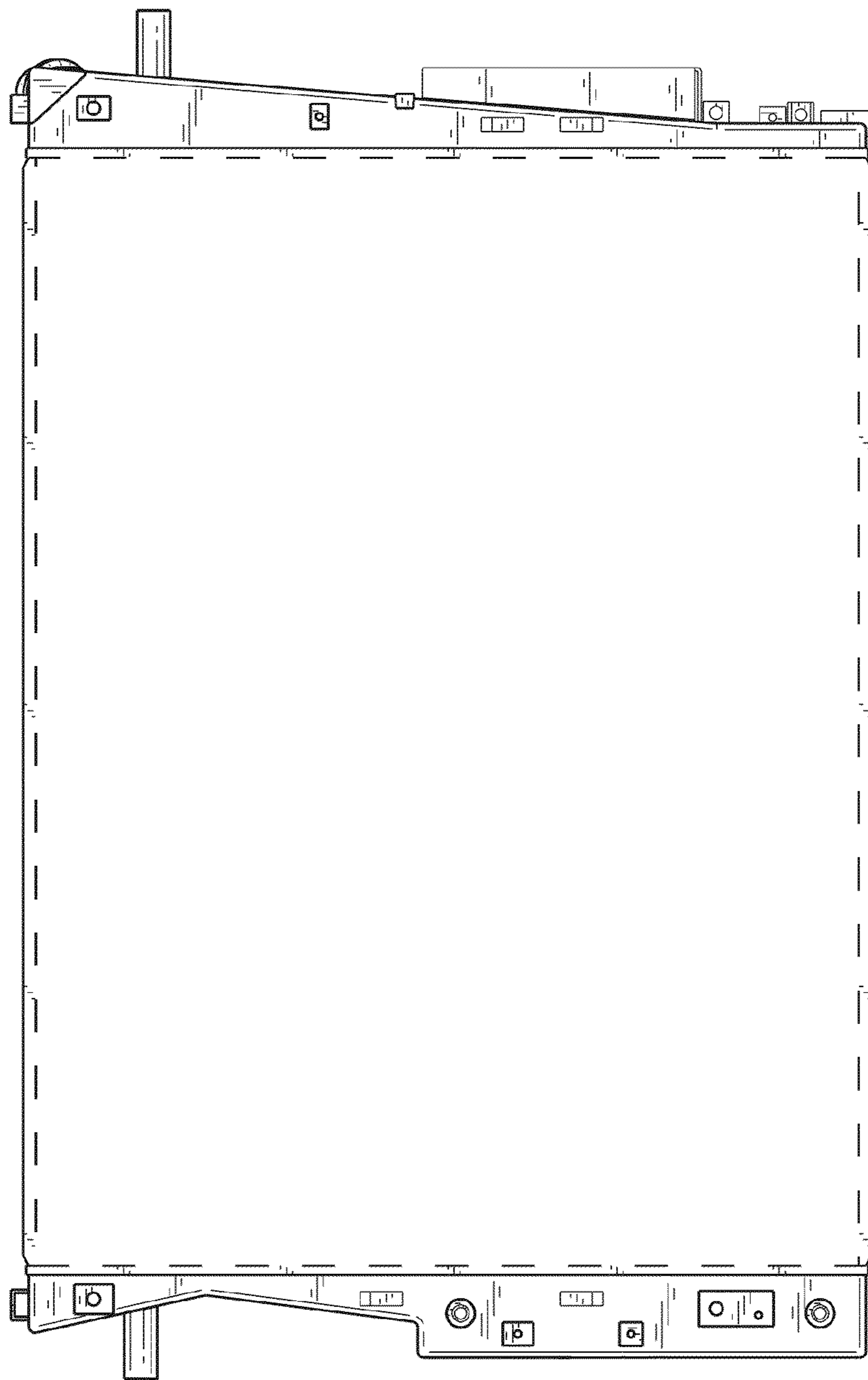


FIG. 3

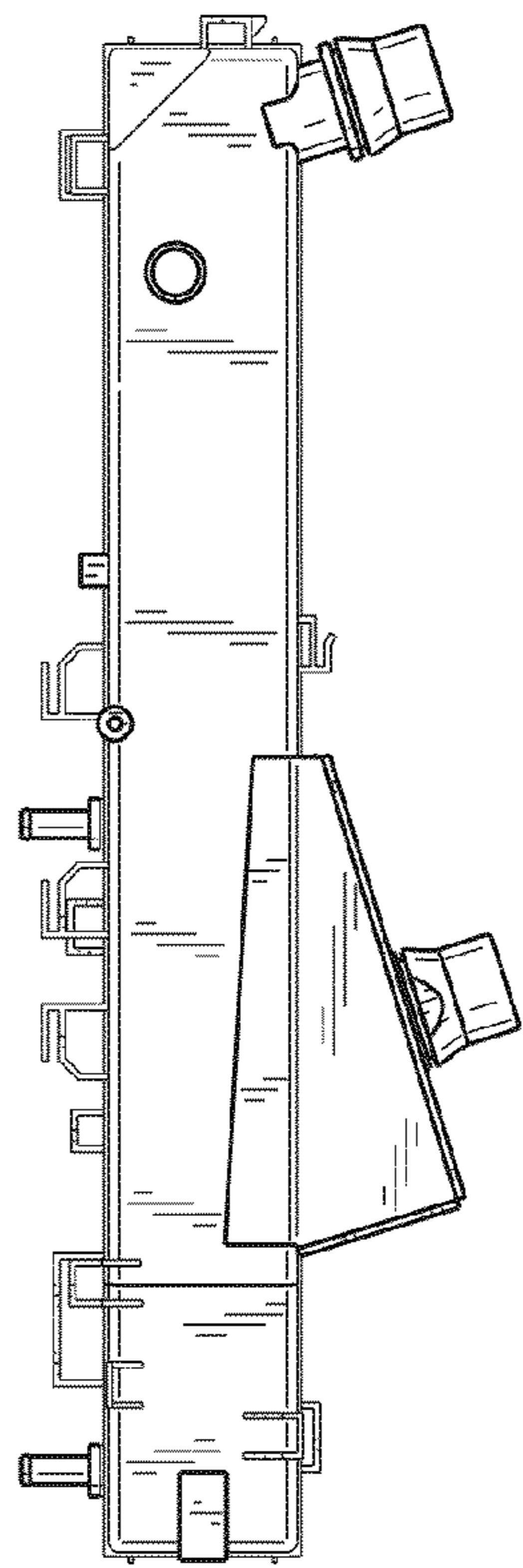


FIG. 4

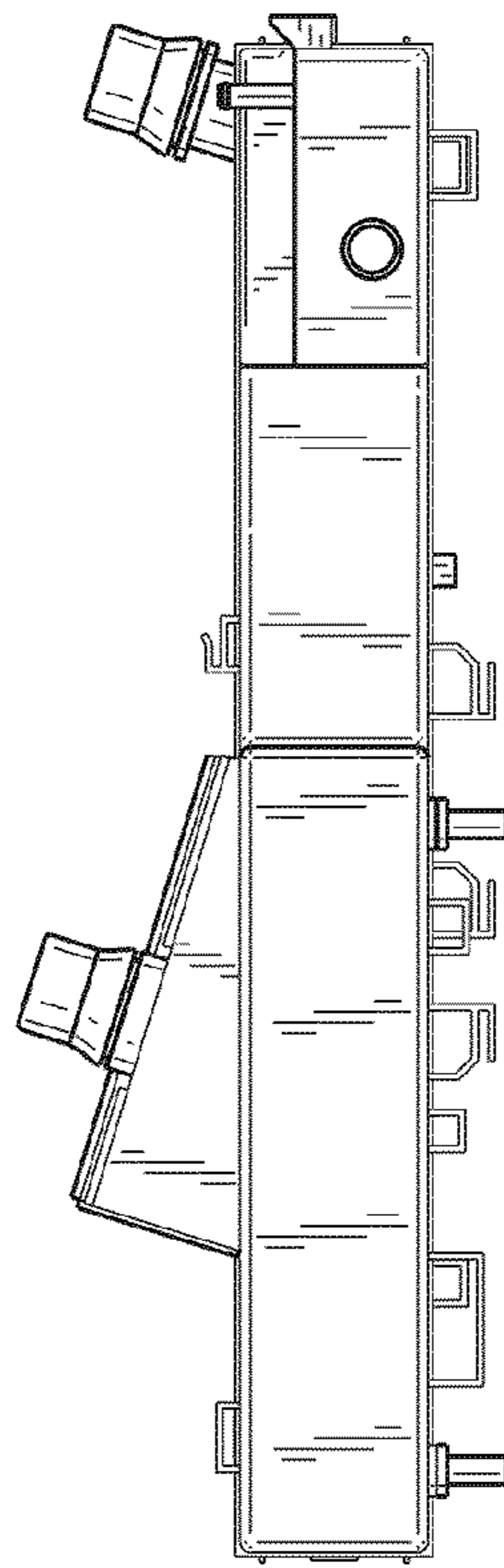


FIG. 5

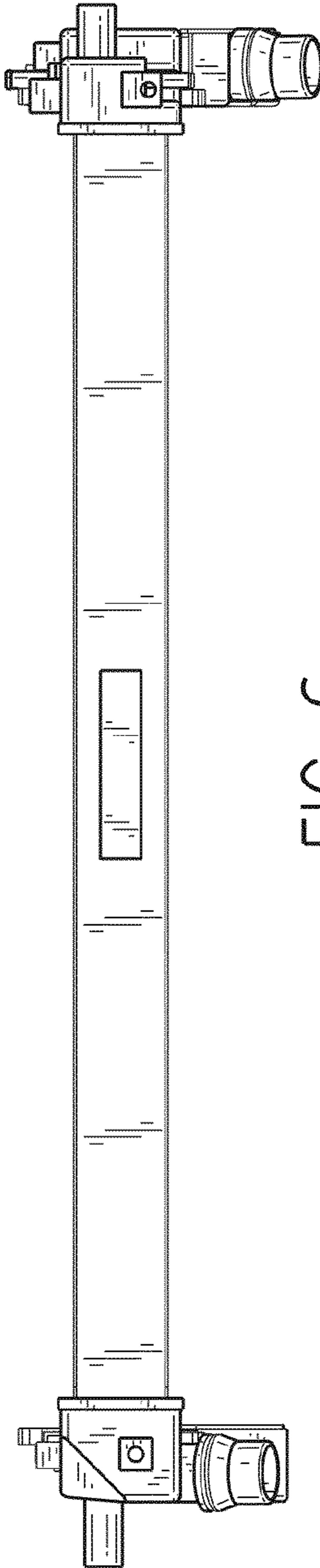


FIG. 6

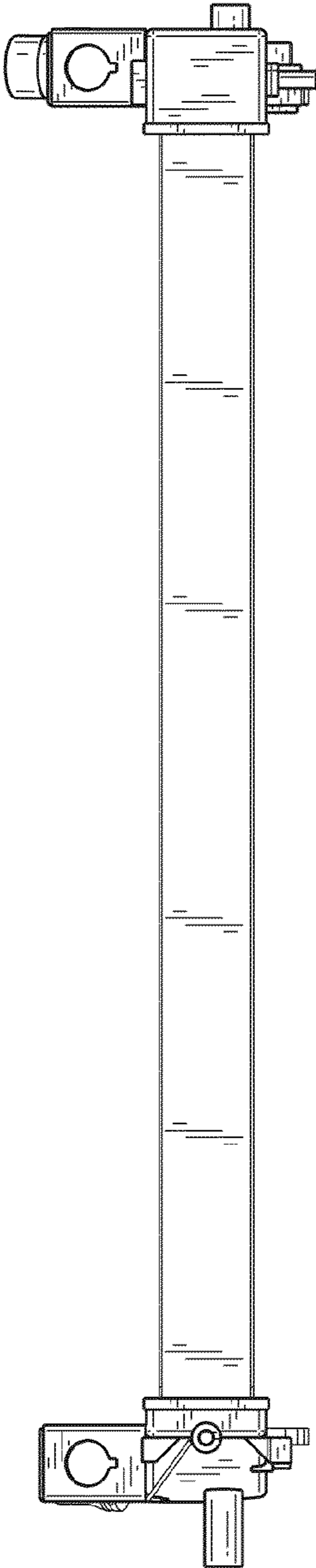


FIG. 7