



US00D717701S

(12) **United States Design Patent**
Hudson et al.

(10) **Patent No.:** **US D717,701 S**
(45) **Date of Patent:** **** Nov. 18, 2014**

(54) **HINGED BICYCLE HANGER**

- (71) Applicant: **Feedback Sports LLC**, Golden, CO (US)
- (72) Inventors: **Douglas Hudson**, Golden, CO (US);
Braden Bingham, Longmont, CO (US)
- (73) Assignee: **Feedback Sports LLC**, Golden, CO (US)
- (**) Term: **14 Years**
- (21) Appl. No.: **29/461,923**
- (22) Filed: **Jul. 29, 2013**
- (51) **LOC (10) Cl.** **12-11**
- (52) **U.S. Cl.**
USPC **D12/115**
- (58) **Field of Classification Search**
USPC D12/115; 248/224.8, 217.4, 220.21, 65,
248/282.1, 428, 225.21, 339, 304, 308, 914,
248/314, 223.41, 225.11, 309.1, 290.1, 692,
248/691, 291.1; 411/30; D8/367, 373, 327,
D8/16, 19; 16/374, 252, 235, 241, 245,
16/382, 221, 246, 319; 311/119.004, 18,
311/87.01, 85.7, 86.01, 106.01; D32/54;
D7/692; 366/129; 49/381, 506;
273/148 R; 463/47; 224/927
See application file for complete search history.

(56) **References Cited**

U.S. PATENT DOCUMENTS

- 4,221,354 A * 9/1980 Kempkers 248/291.1
- D262,431 S * 12/1981 Haller D32/54

(Continued)

Primary Examiner — Eric Goodman

Assistant Examiner — Ryan Harvey

(74) *Attorney, Agent, or Firm* — Holland & Hart LLP

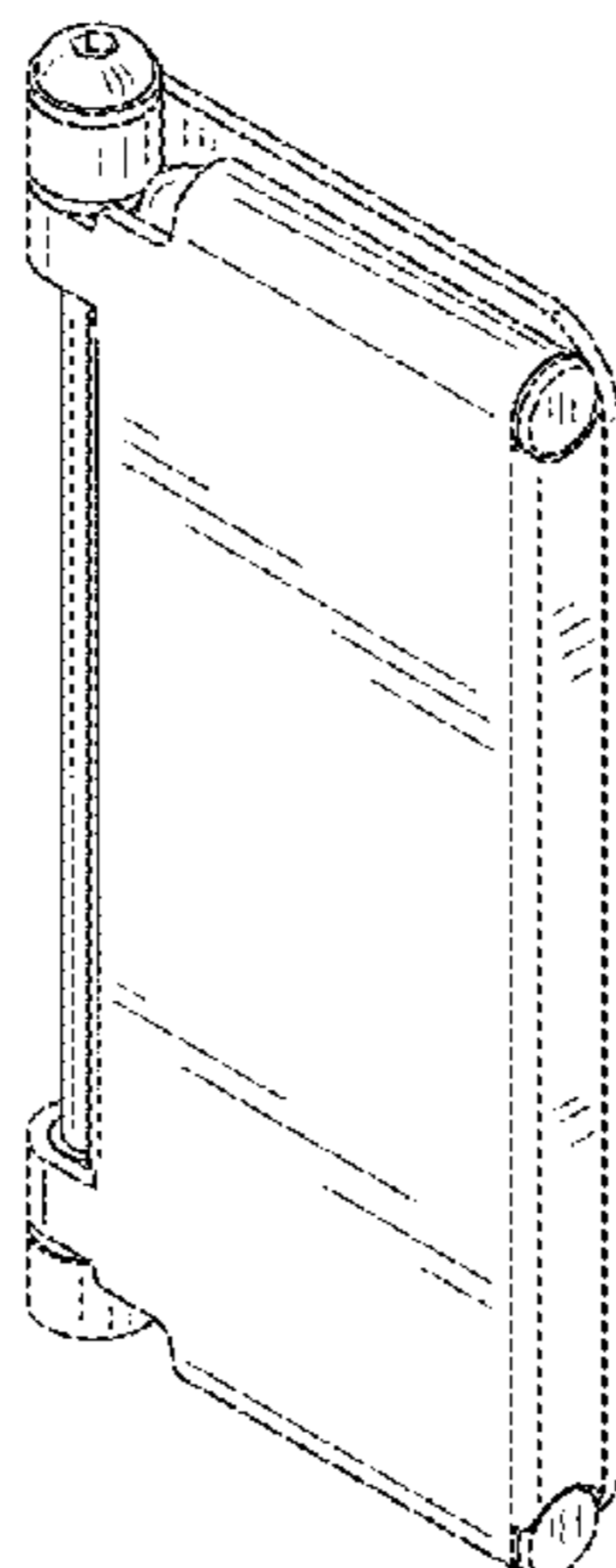
(57) **CLAIM**

The ornamental design for a hinged bicycle hanger, as shown and described.

DESCRIPTION

FIG. 1 is a front perspective view of the hinged bicycle hanger in a closed configuration, showing our new design;
 FIG. 2 is a rear perspective view of the design illustrated in FIG. 1;
 FIG. 3 is a front view of the design illustrated in FIG. 1;
 FIG. 4 is a rear view of the design illustrated in FIG. 1;
 FIG. 5 is a right side view of the design illustrated in FIG. 1;
 FIG. 6 is a left side view of the design illustrated in FIG. 1;
 FIG. 7 is top view of the design illustrated in FIG. 1;
 FIG. 8 is bottom view of the design illustrated in FIG. 1;
 FIG. 9 is a front perspective view of the hinged bicycle hanger in a closed configuration with an extended hook, showing our new design;
 FIG. 10 is a rear perspective view of the design illustrated in FIG. 9;
 FIG. 11 is a front view of the design illustrated in FIG. 9;
 FIG. 12 is a rear view of the design illustrated in FIG. 9;
 FIG. 13 is a right side view of the design illustrated in FIG. 9;
 FIG. 14 is a left side view of the design illustrated in FIG. 9;
 FIG. 15 is top view of the design illustrated in FIG. 9;
 FIG. 16 is bottom view of the design illustrated in FIG. 9;
 FIG. 17 is a front perspective view of the hinged bicycle hanger in an open configuration with the hook extended, showing our new design;
 FIG. 18 is a rear perspective view of the design illustrated in FIG. 17;
 FIG. 19 is a front view of the design illustrated in FIG. 17;
 FIG. 20 is a rear view of the design illustrated in FIG. 17;
 FIG. 21 is a right side view of the design illustrated in FIG. 17;
 FIG. 22 is a left side view of the design illustrated in FIG. 17;
 FIG. 23 is top view of the design illustrated in FIG. 17;
 FIG. 24 is bottom view of the design illustrated in FIG. 17;
 and,
 FIG. 25 is another perspective view of our hinged bicycle hanger. The broken lines in FIG. 25 depict environmental subject matter and form no part of the claimed design.

1 Claim, 13 Drawing Sheets



(56)

References Cited

U.S. PATENT DOCUMENTS

D372,415 S * 8/1996 Guidotti D8/327
 6,193,084 B1 * 2/2001 Oliver 211/119.004
 D456,694 S * 5/2002 Allen et al. D8/367
 D488,047 S * 4/2004 Cheng D8/327
 7,118,082 B2 * 10/2006 Brnjac 248/308
 7,188,390 B2 * 3/2007 Cheng 16/252
 7,234,672 B1 * 6/2007 Osterholt et al. 248/304
 7,681,851 B1 * 3/2010 Osterholt et al. 248/308
 7,815,055 B2 * 10/2010 Lang 211/18
 D668,936 S * 10/2012 Wyatt D8/367
 8,523,127 B1 * 9/2013 Bennett 248/222.52

2003/0056331 A1 * 3/2003 Garner 16/374
 2006/0054761 A1 * 3/2006 Marler et al. 248/304
 2006/0289714 A1 * 12/2006 Boklund-Moran 248/339
 2007/0114348 A1 * 5/2007 Nawrocki 248/220.21
 2009/0084922 A1 * 4/2009 Martin 248/339
 2009/0090828 A1 * 4/2009 Junkins 248/220.21
 2010/0090074 A1 * 4/2010 Horvath et al. 248/217.4
 2011/0114806 A1 * 5/2011 Losaw 248/225.21
 2012/0104203 A1 * 5/2012 Ernst et al. 248/224.8
 2013/0062475 A1 * 3/2013 Lin 248/65
 2013/0082155 A1 * 4/2013 McCormack 248/220.21
 2014/0150345 A1 * 6/2014 Price 49/381
 2014/0158845 A1 * 6/2014 Fliger et al. 248/309.1

* cited by examiner

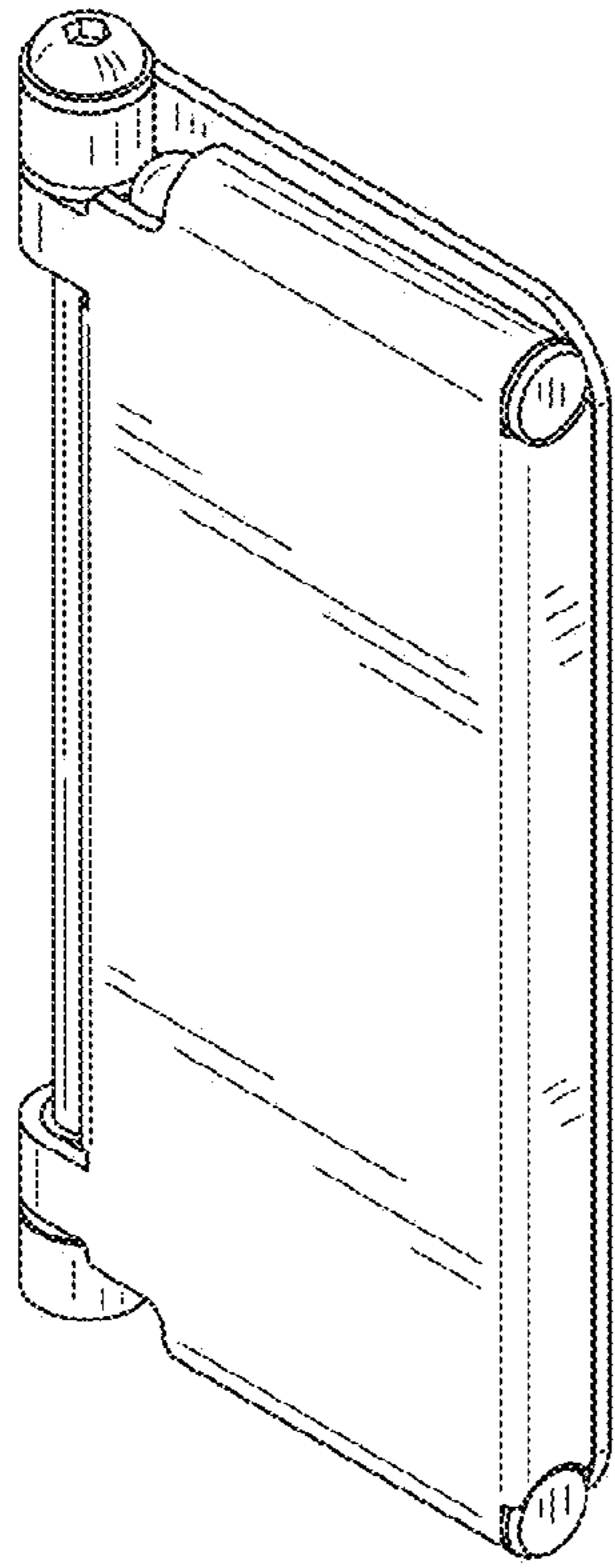


FIG. 1

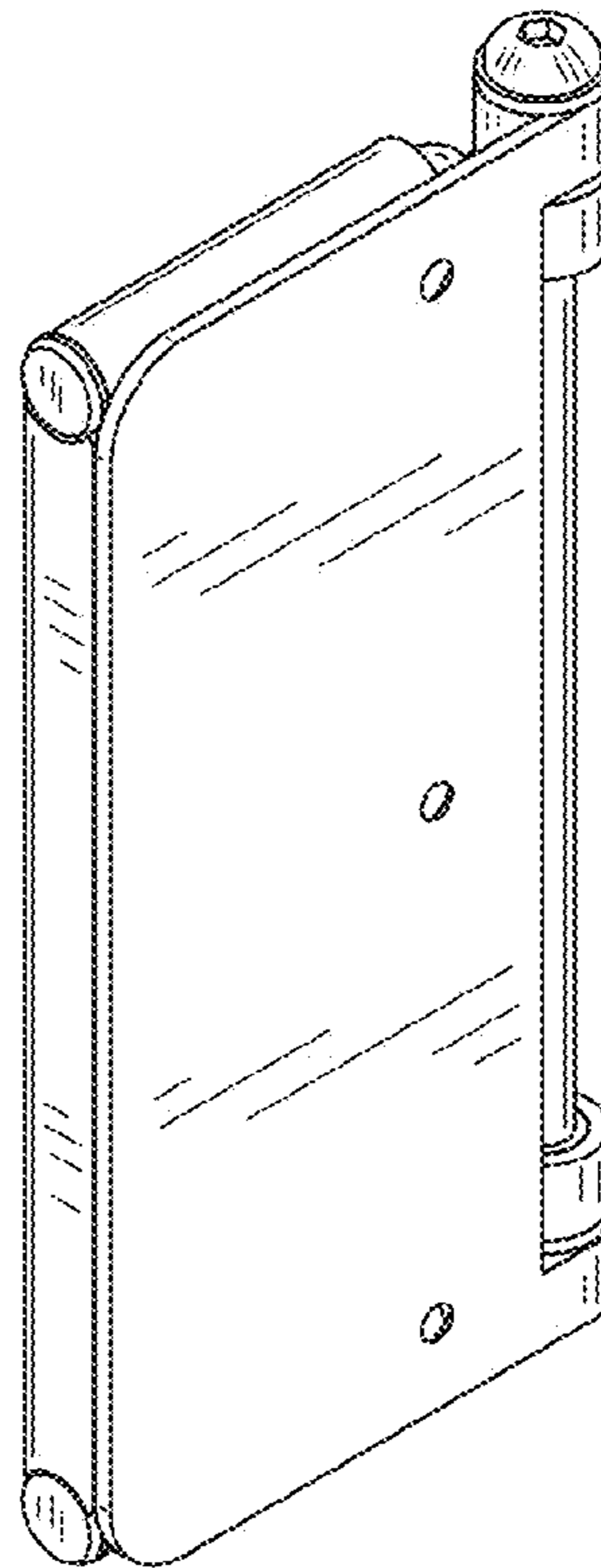


FIG. 2

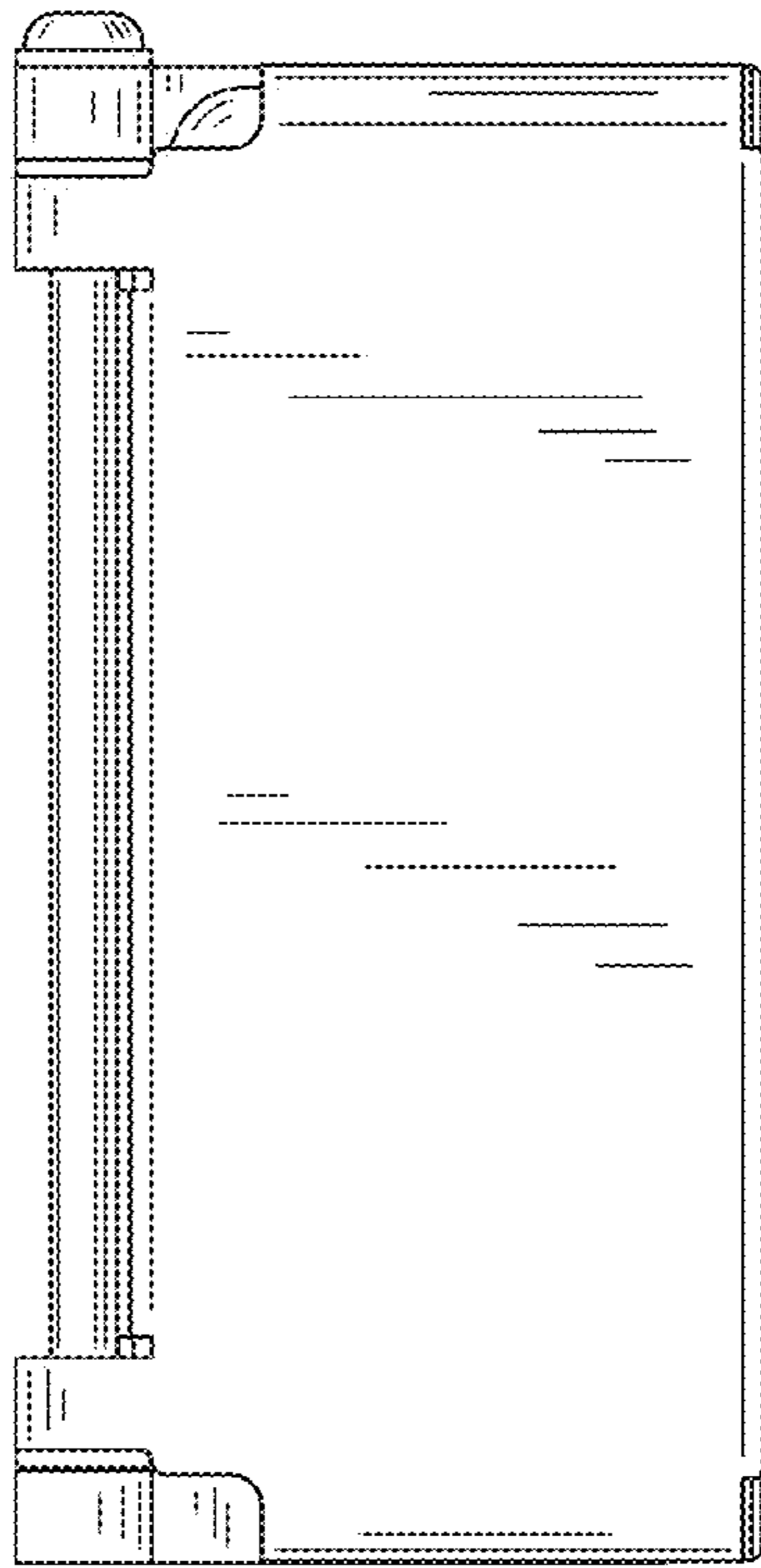


FIG.3

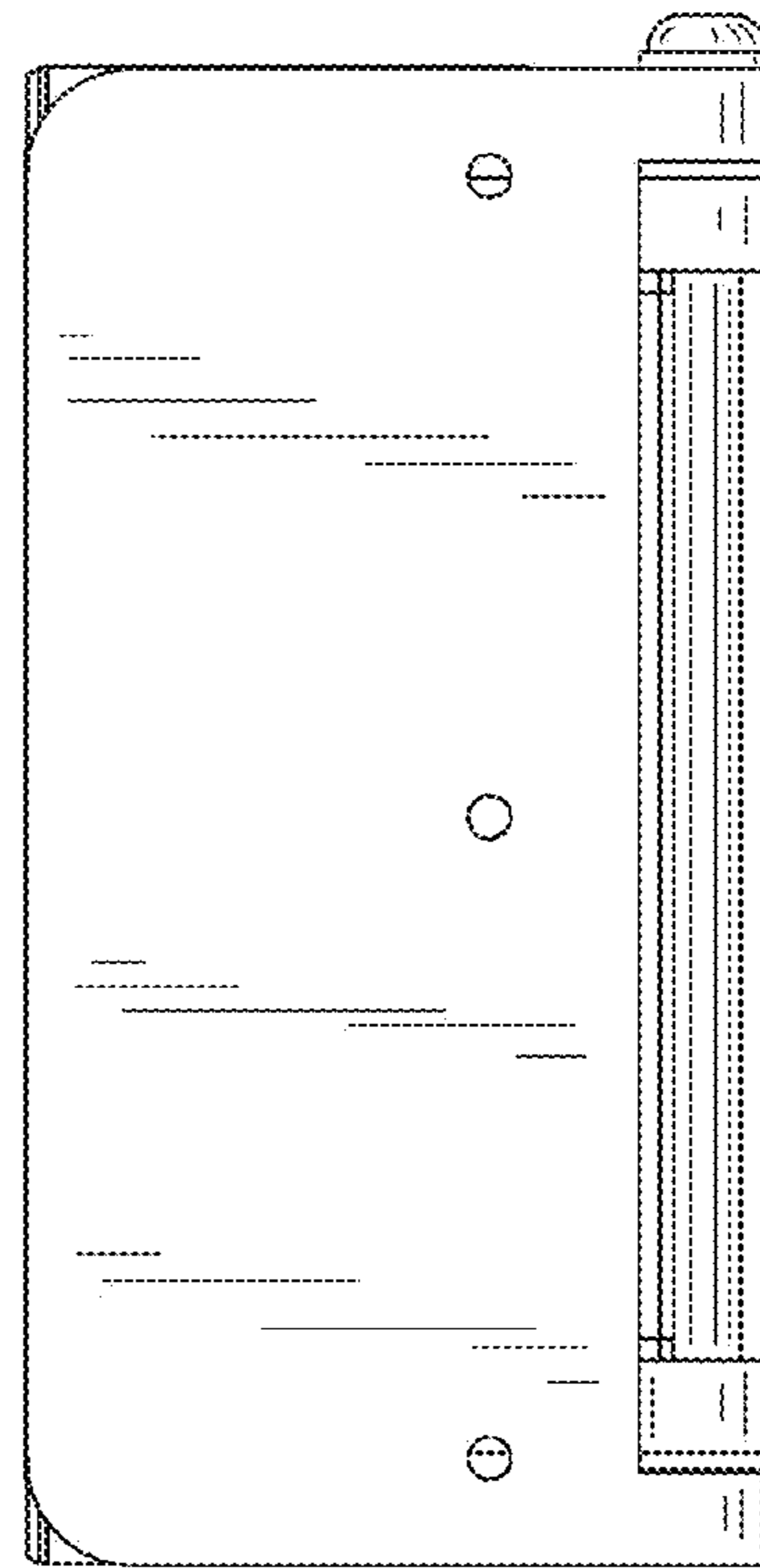


FIG.4



FIG. 5

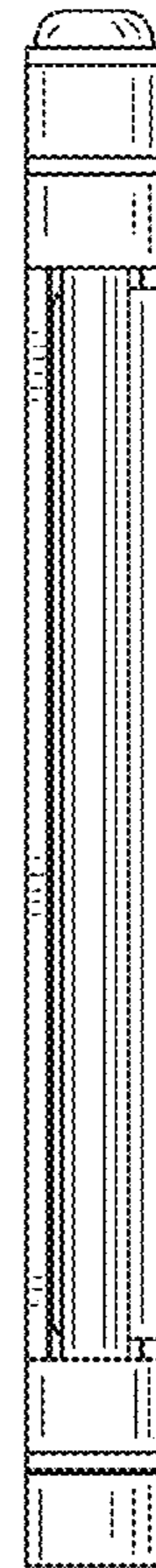


FIG. 6

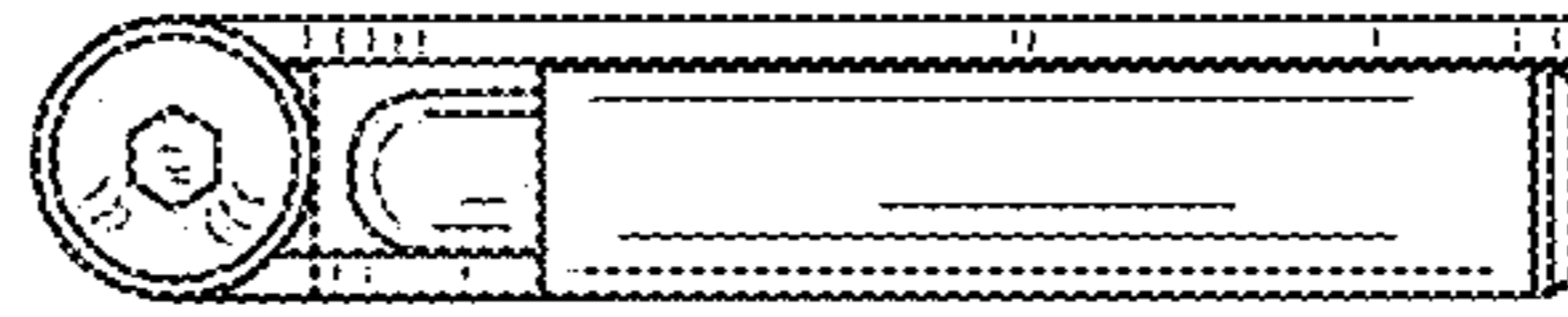


FIG. 7

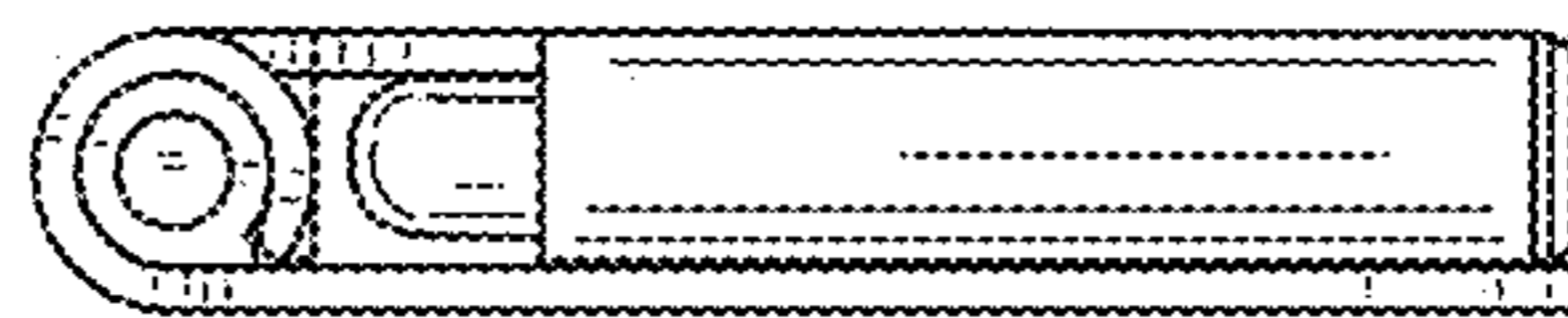


FIG. 8

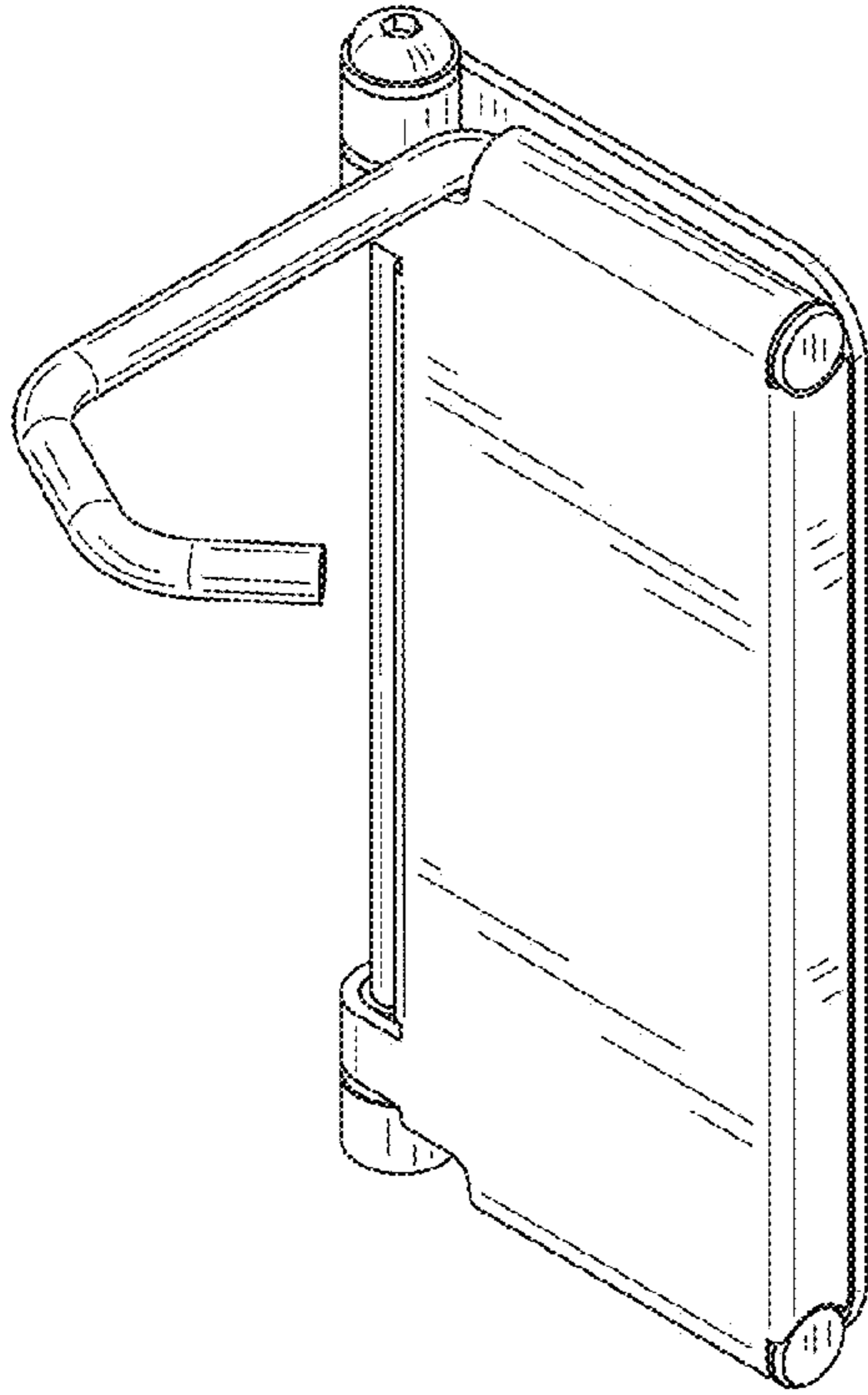


FIG. 9

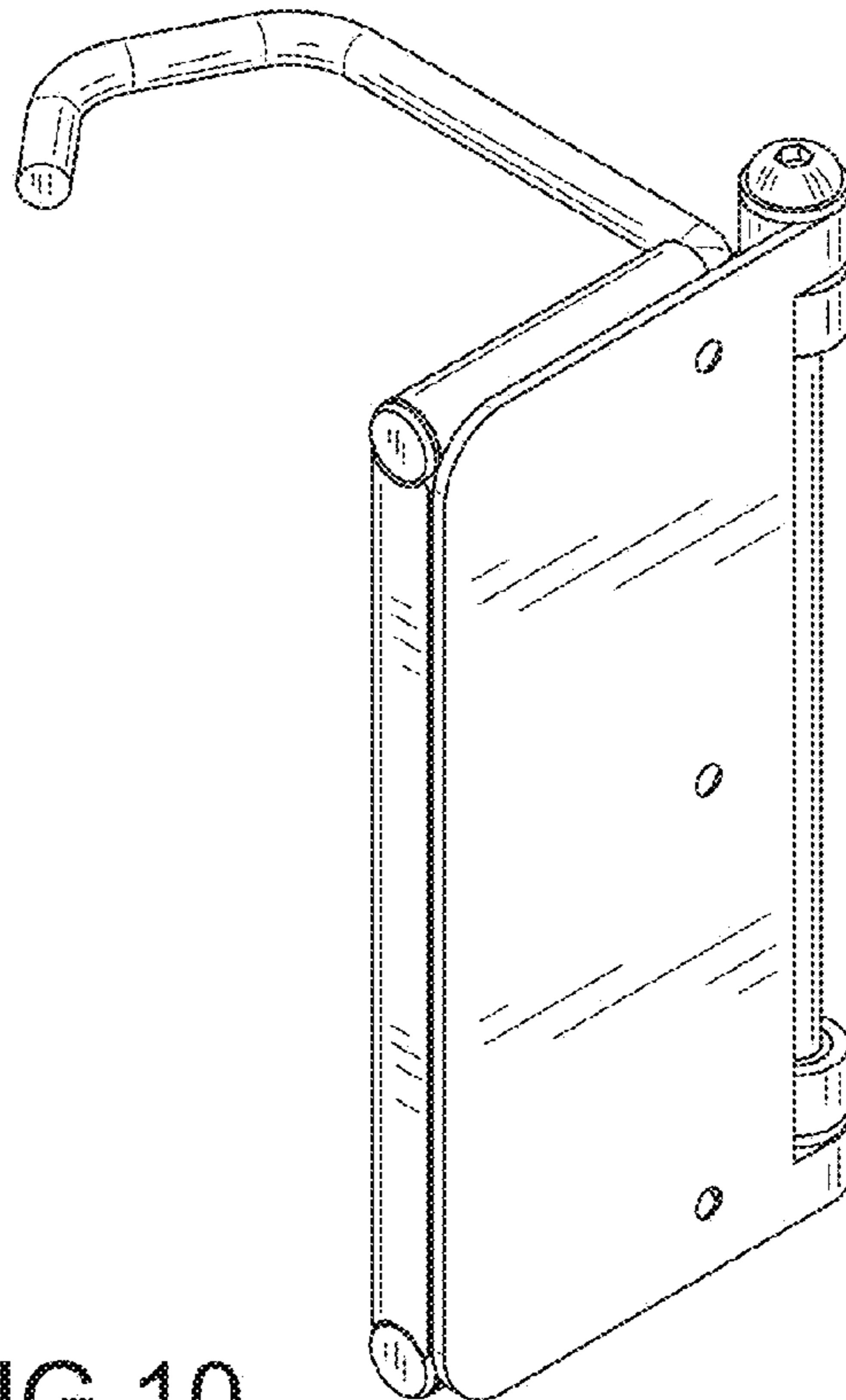


FIG. 10

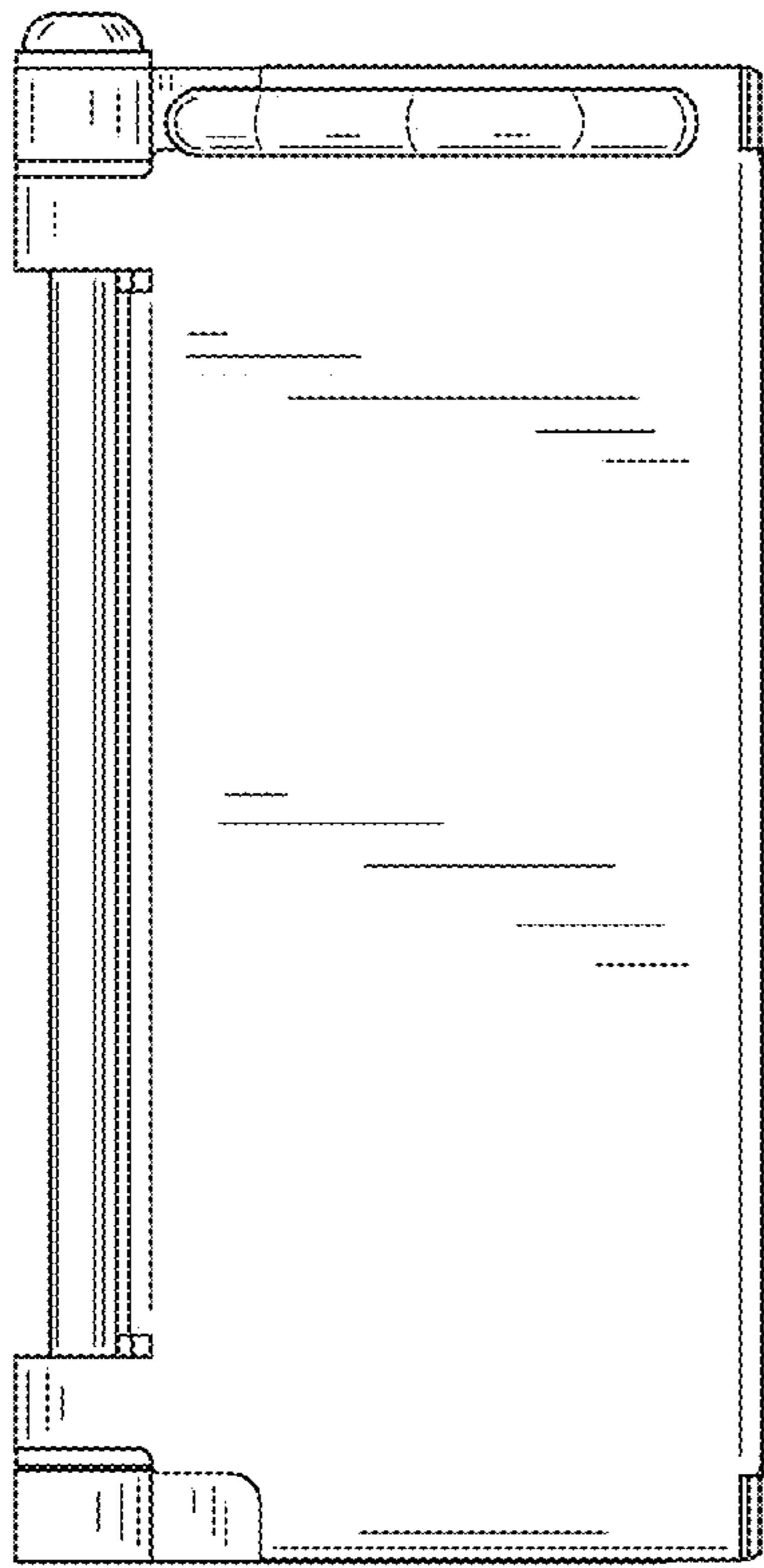


FIG. 11

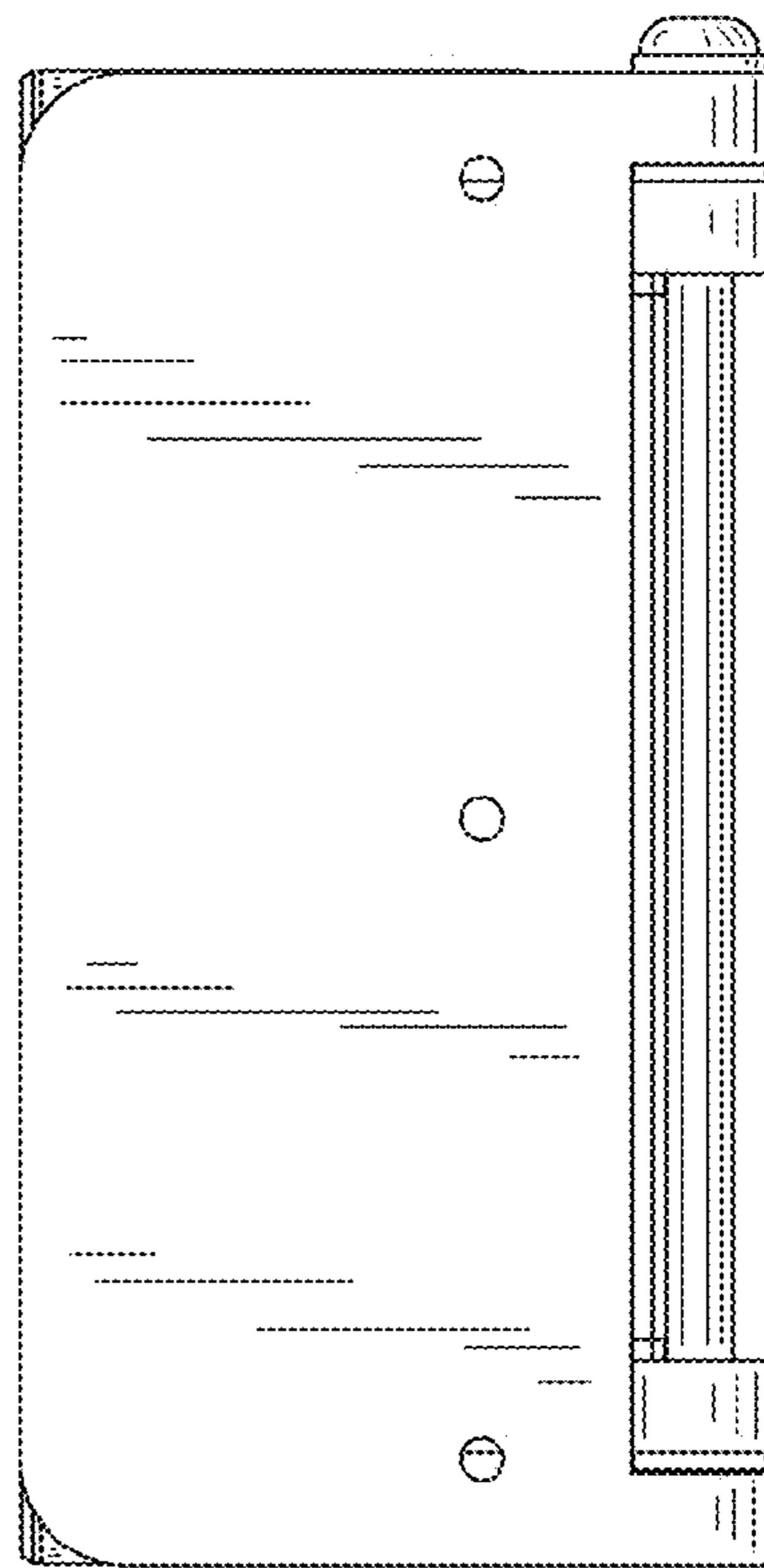


FIG. 12

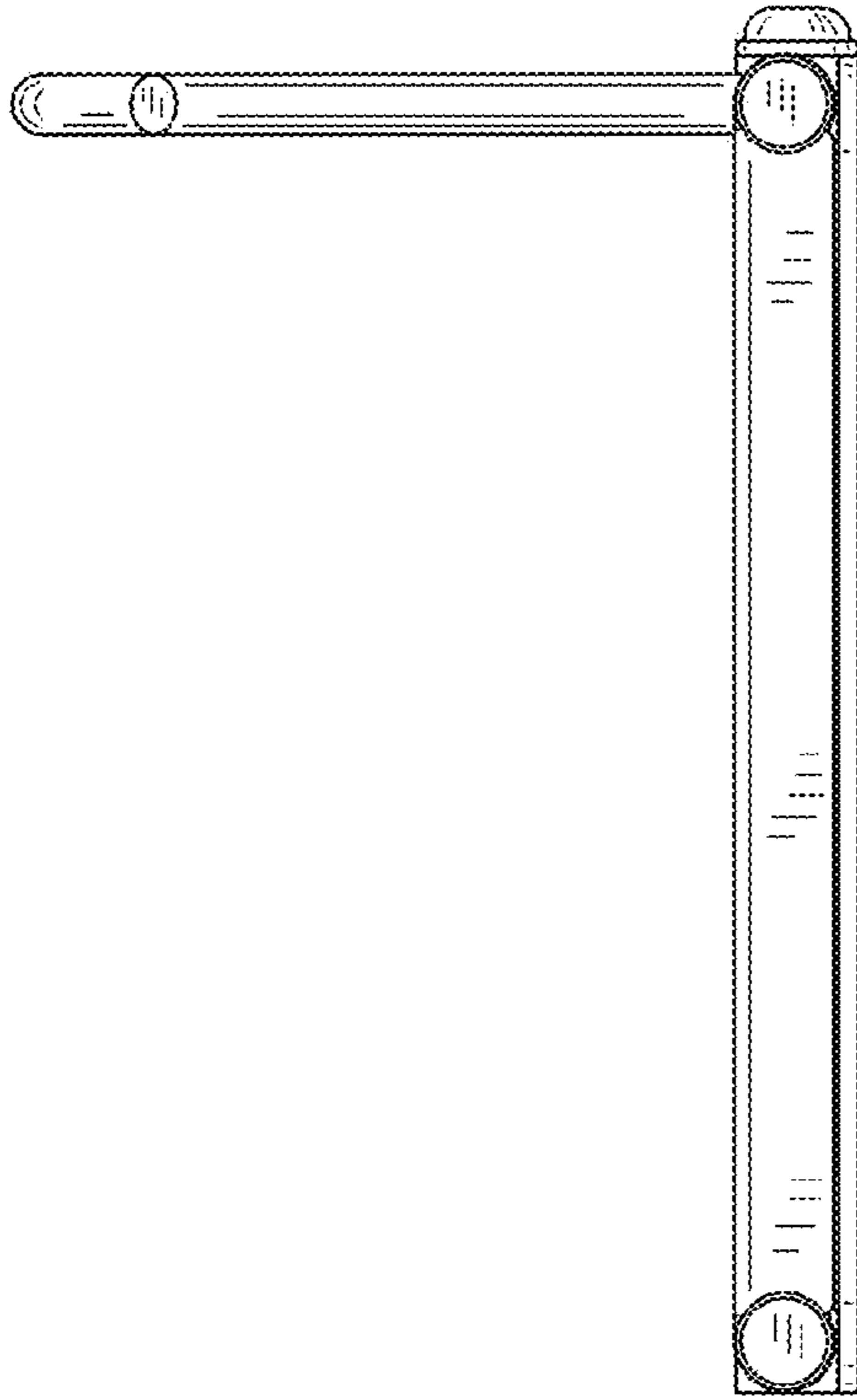


FIG.13

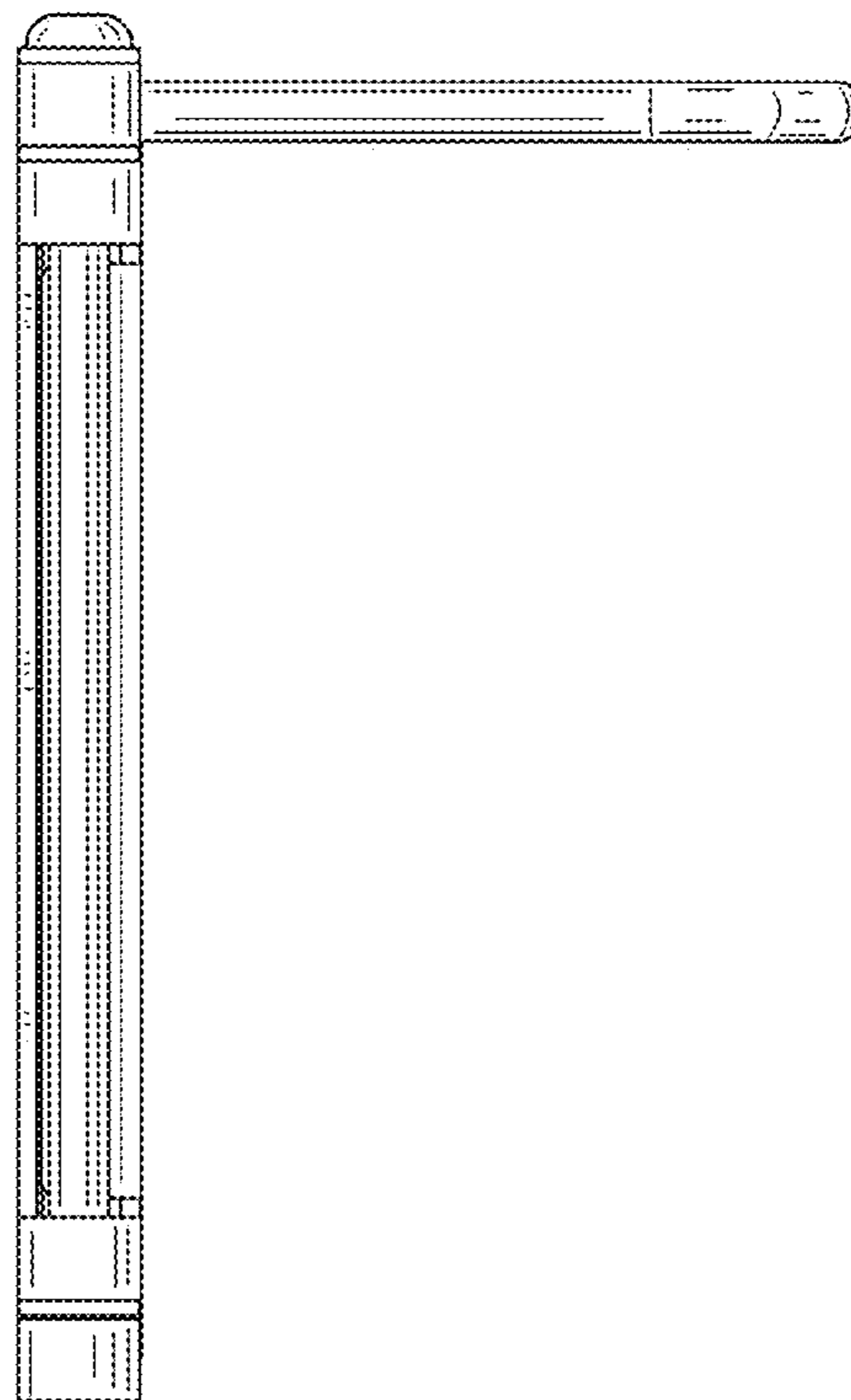


FIG.14

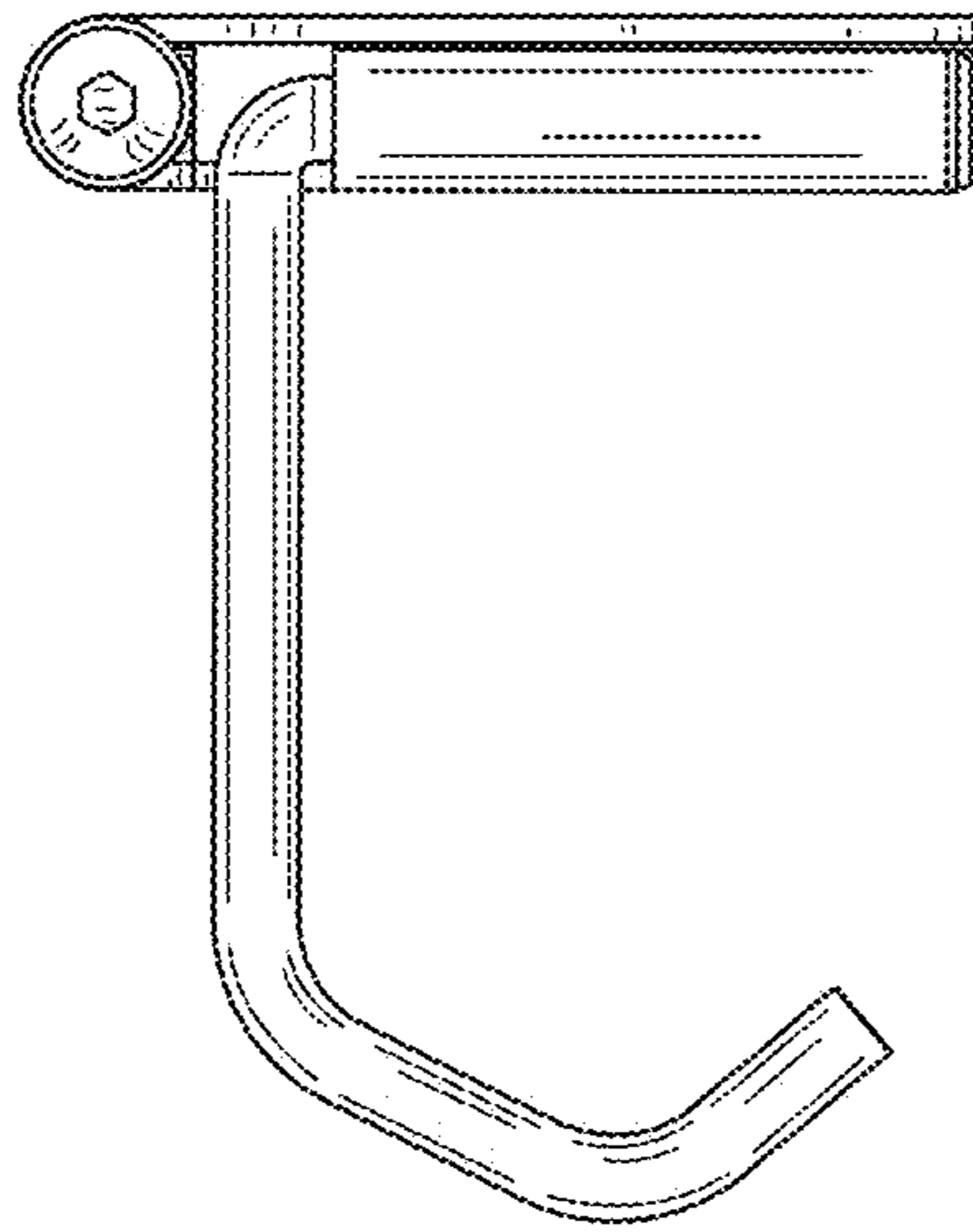


FIG. 15

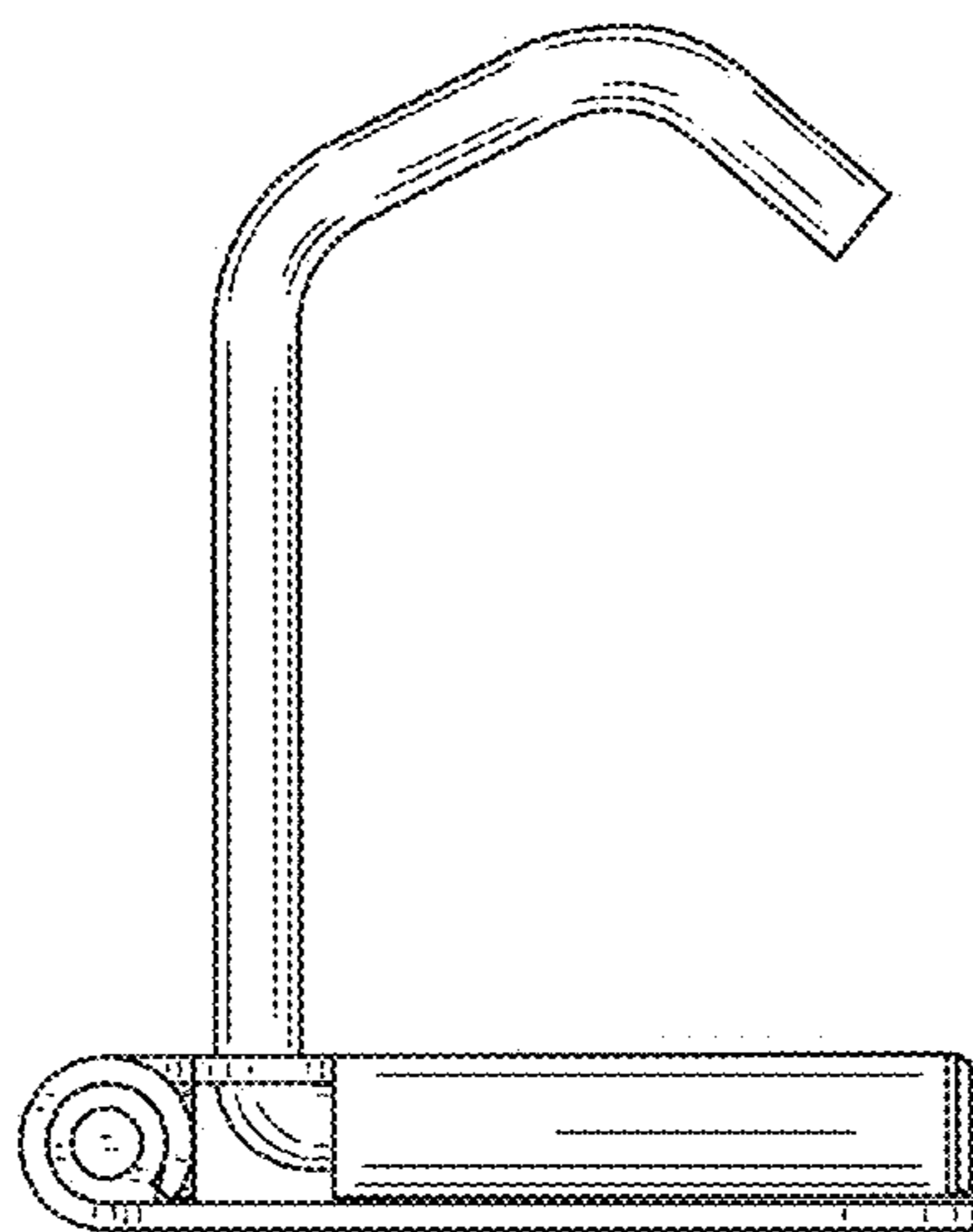


FIG. 16

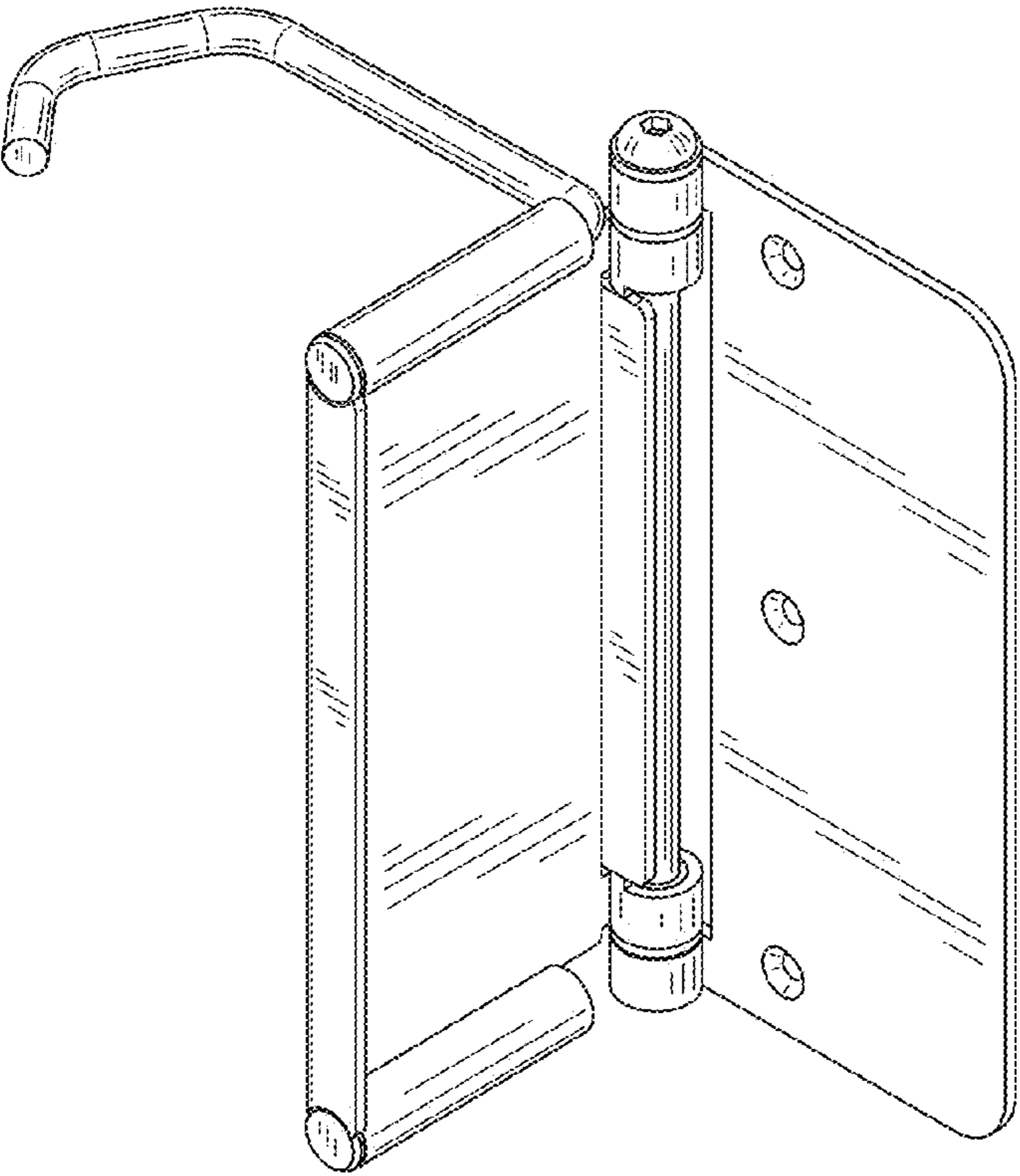


FIG.17

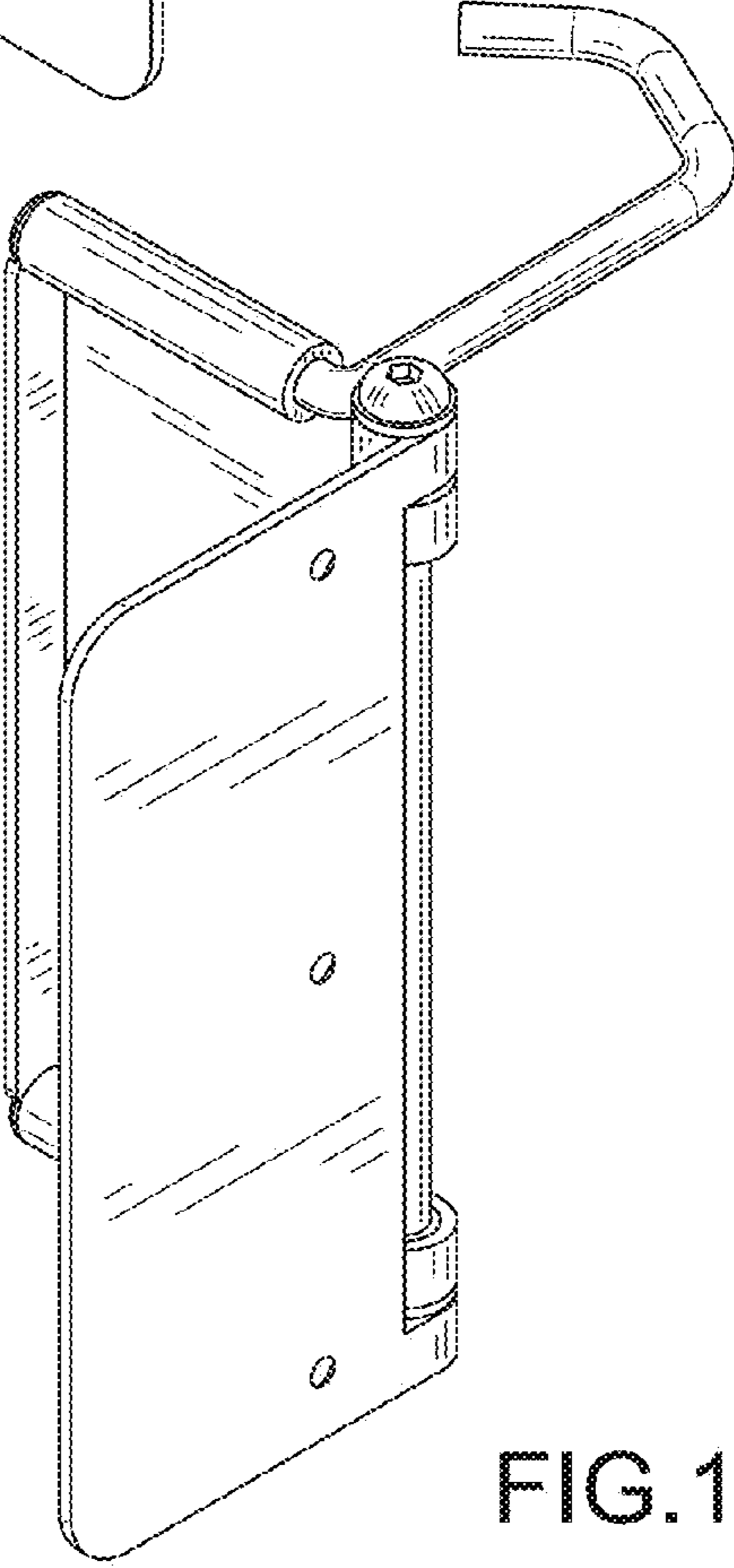


FIG.18

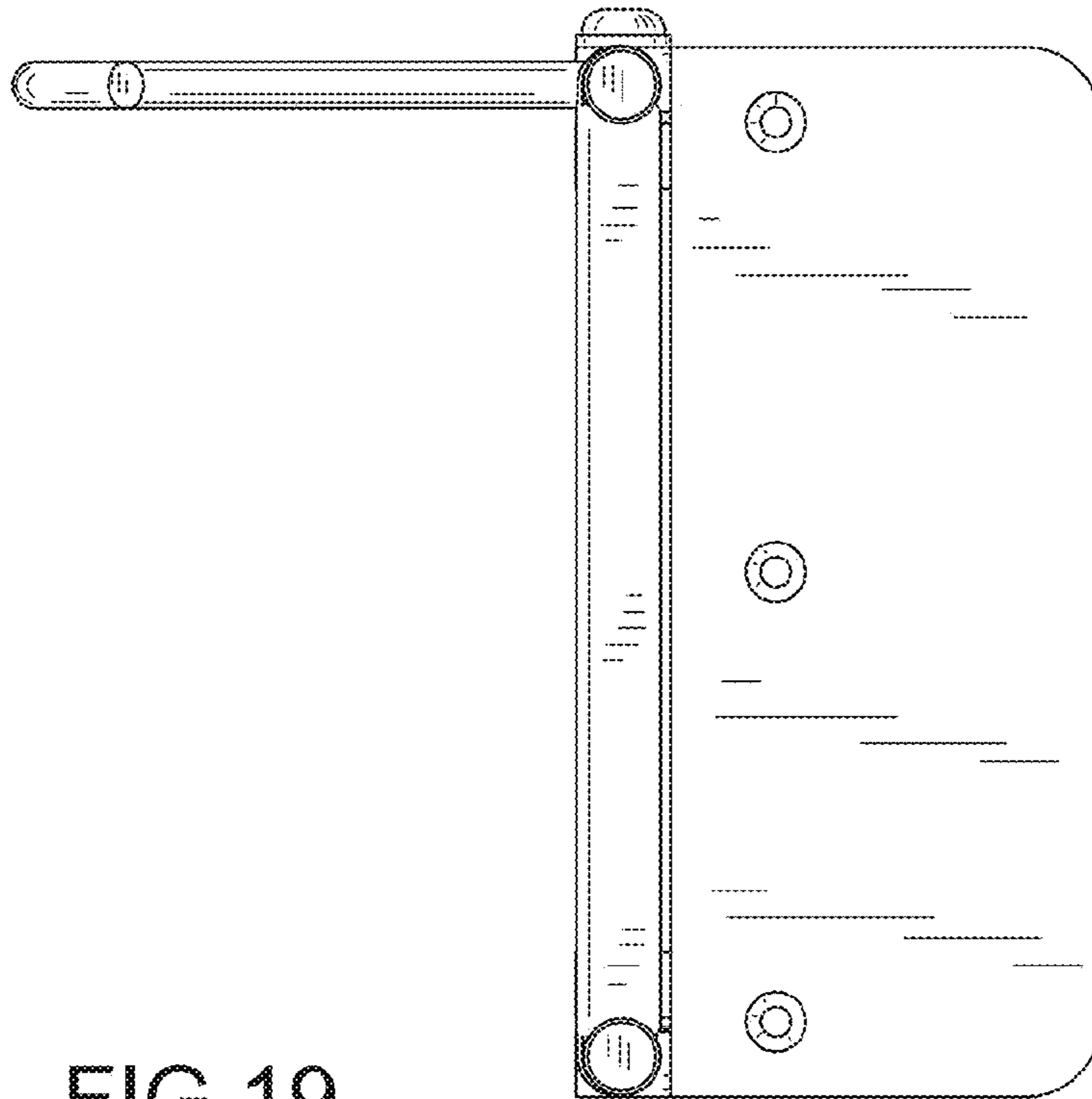


FIG.19

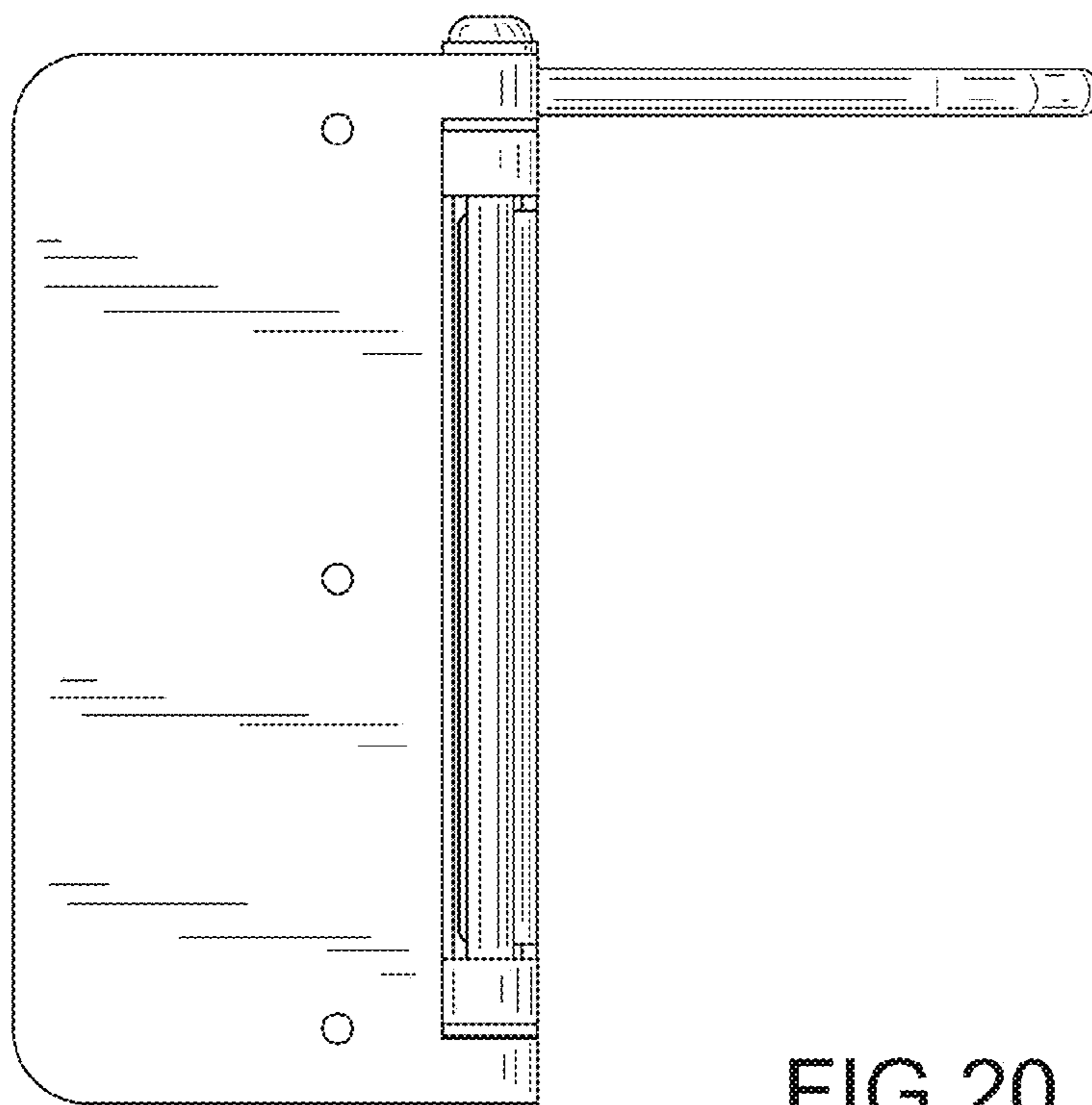


FIG.20

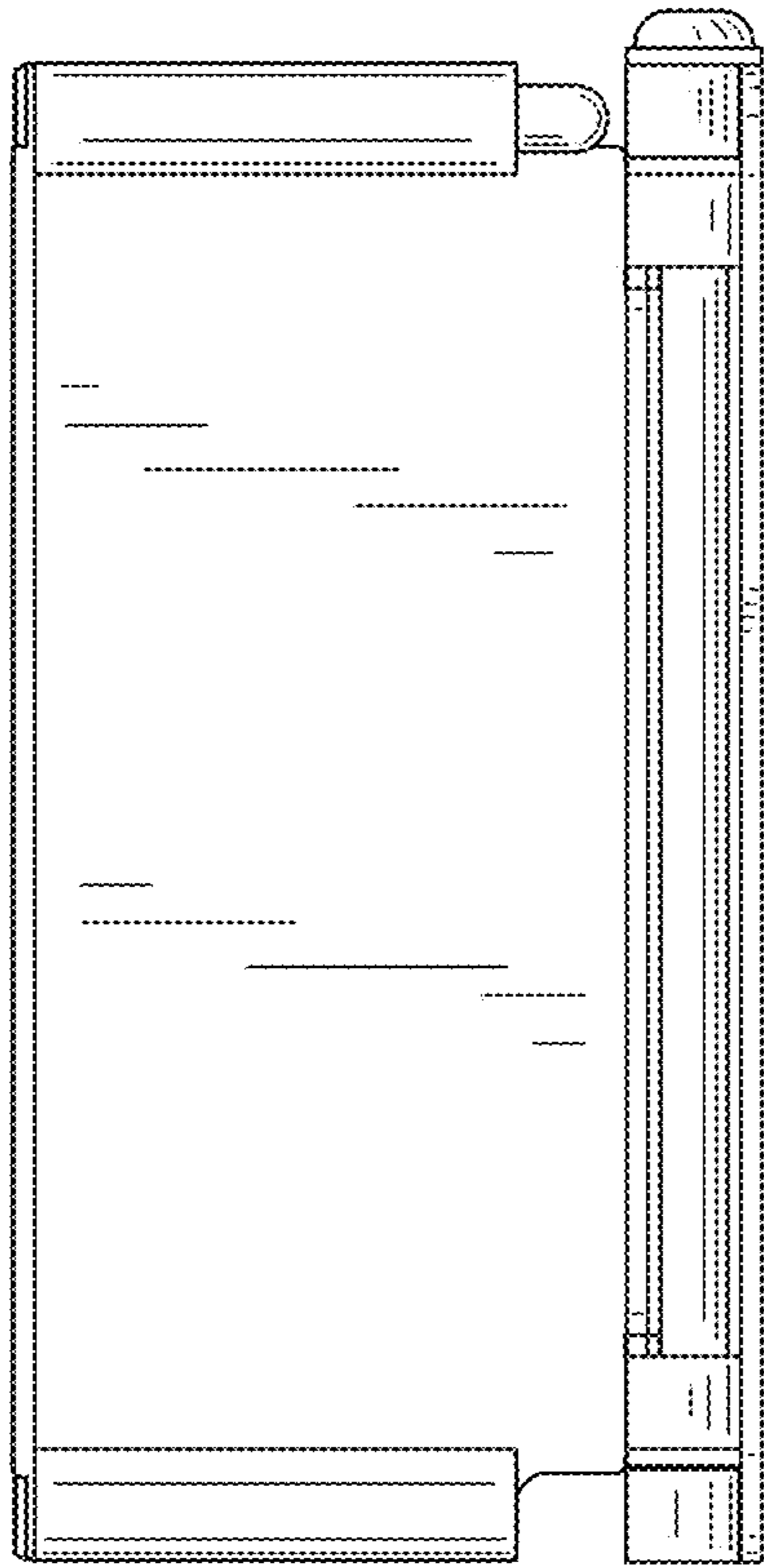


FIG. 21

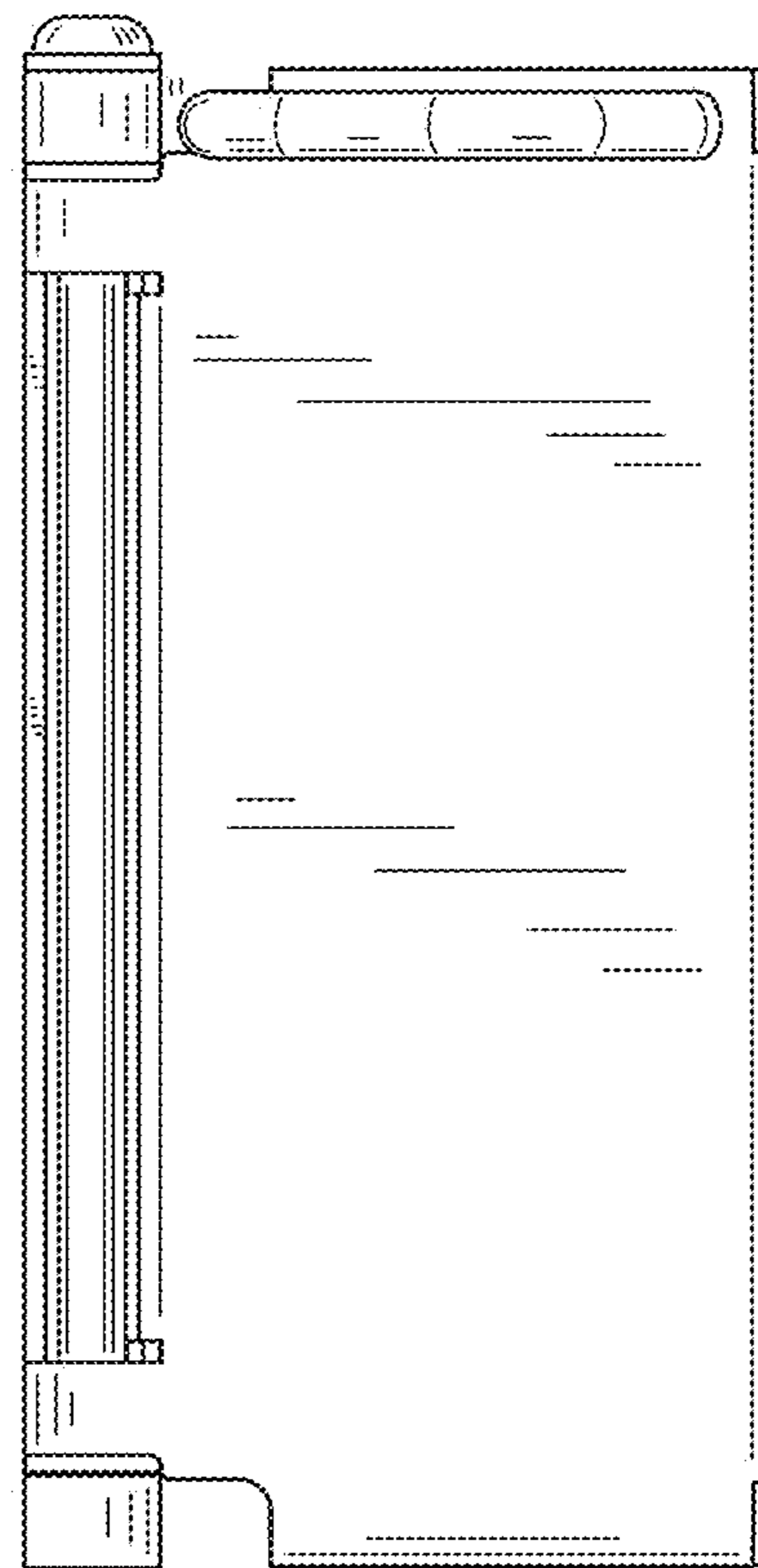


FIG. 22

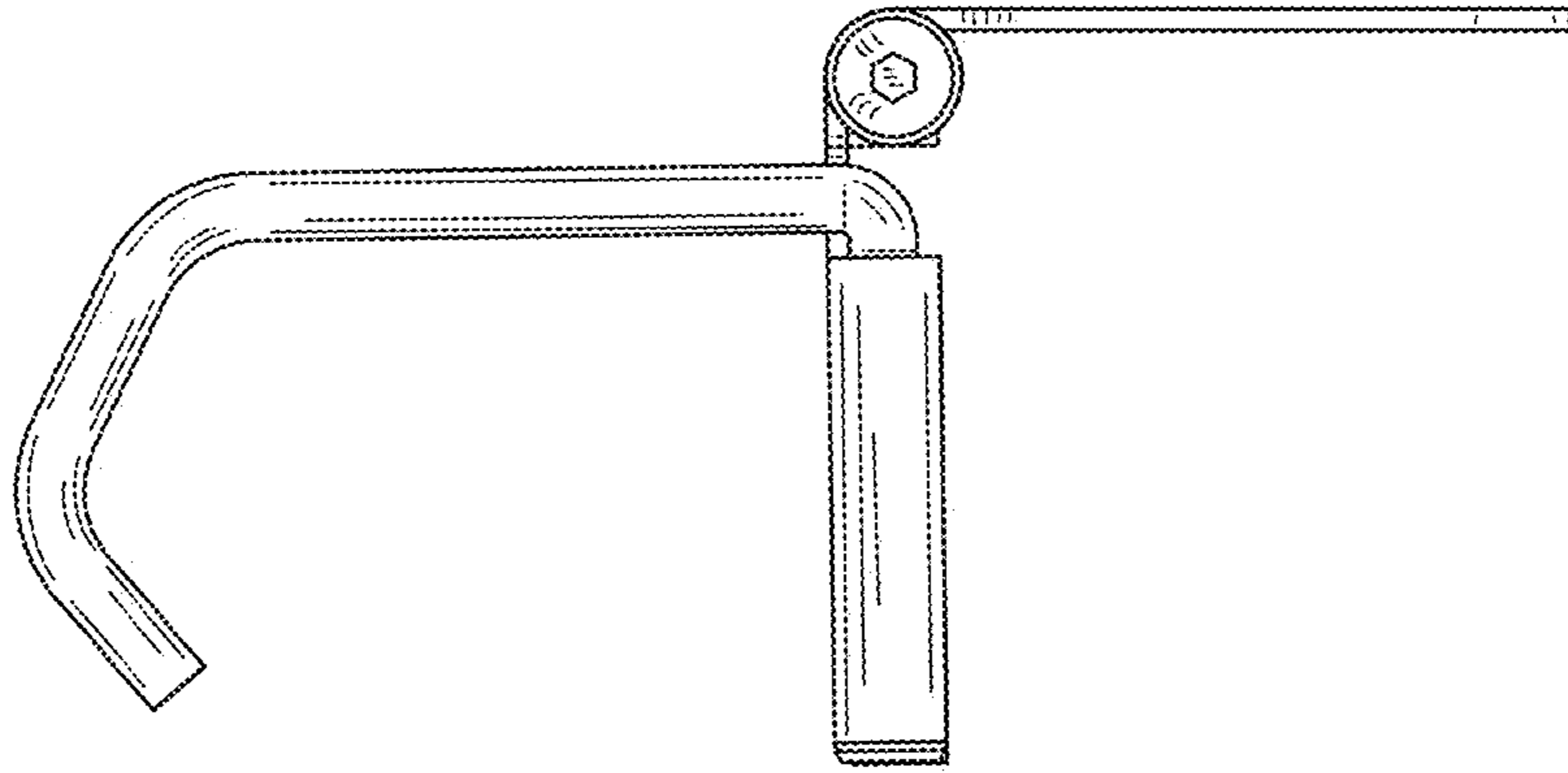


FIG. 23

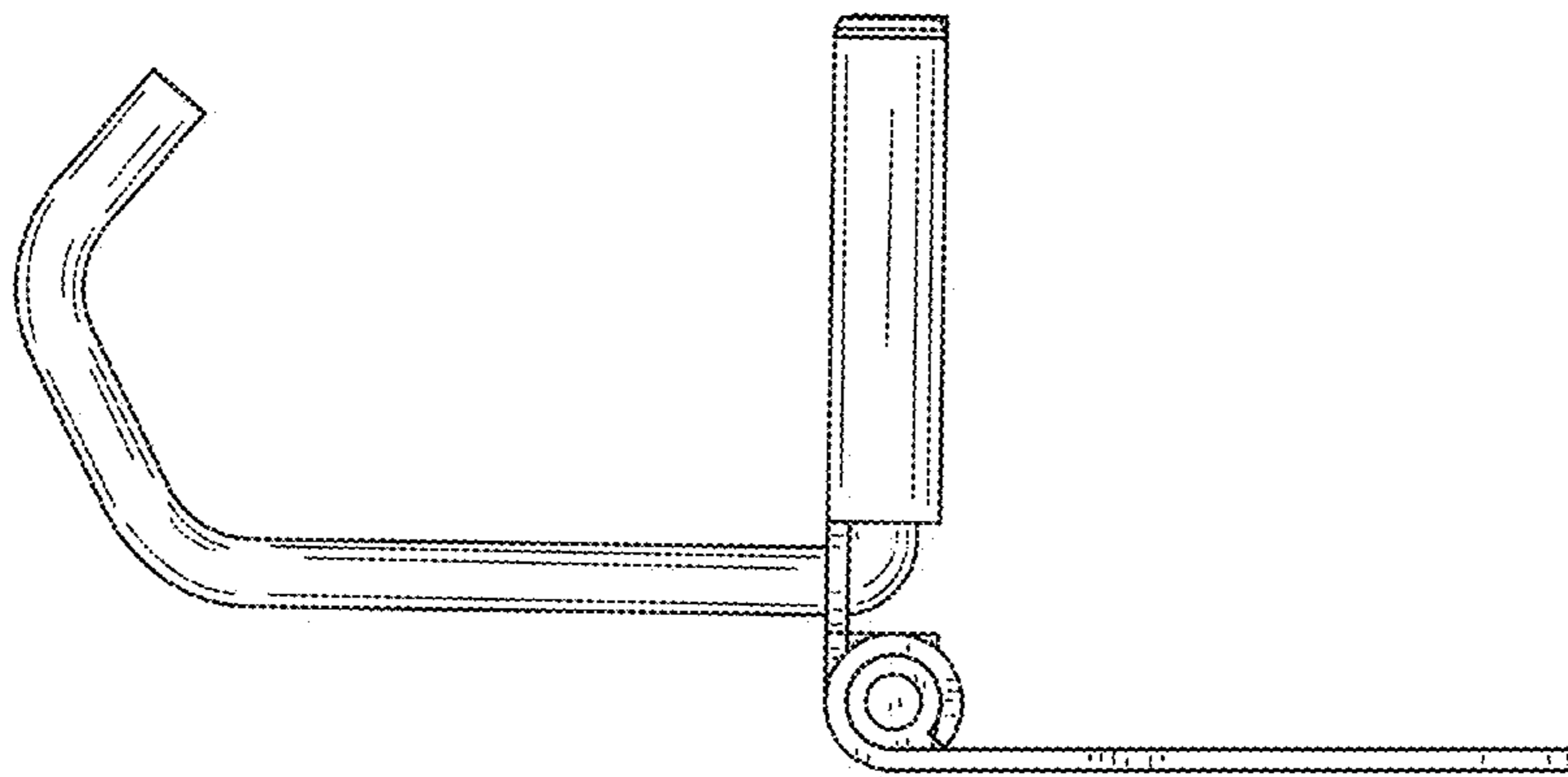


FIG. 24

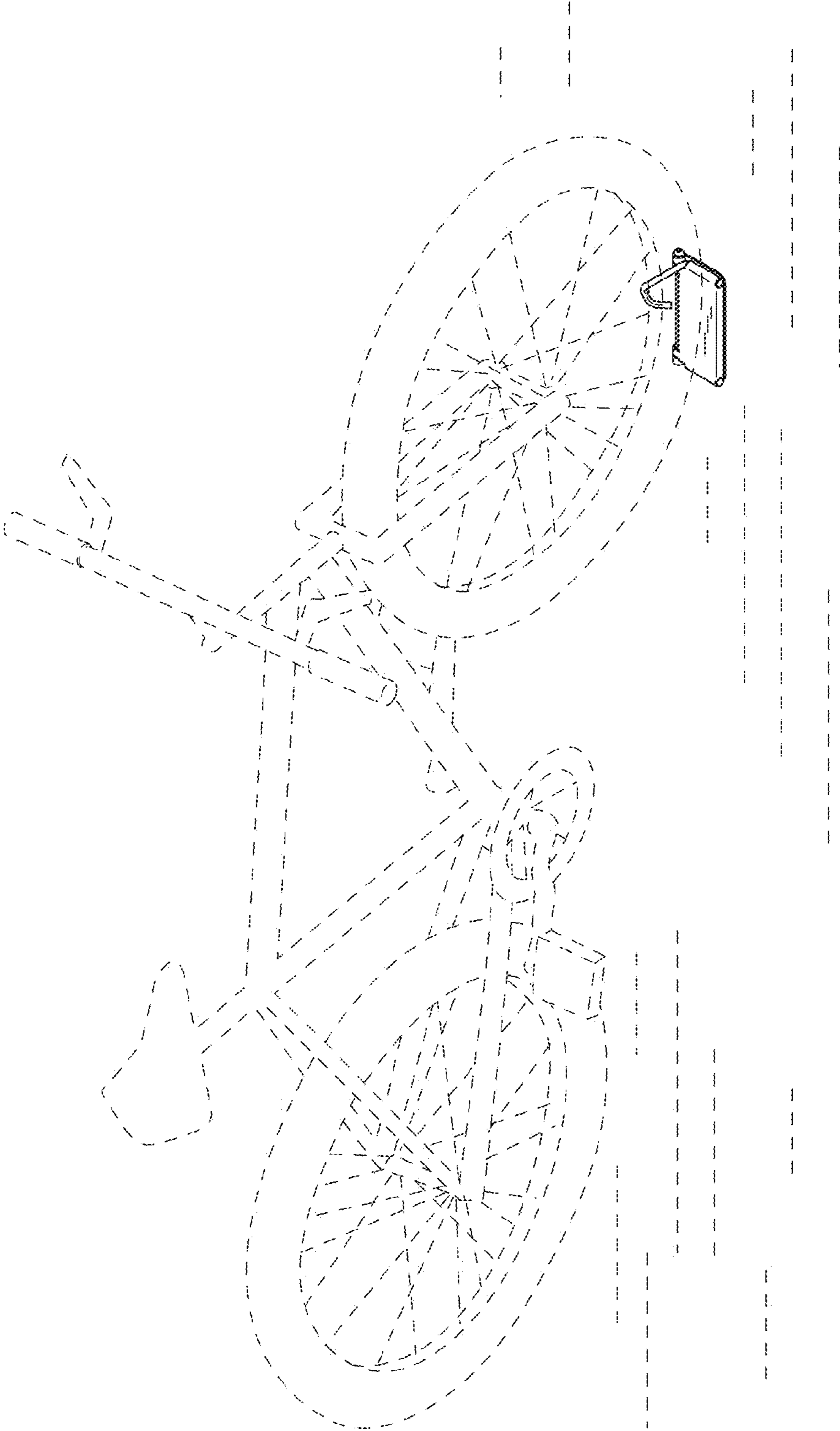


FIG. 25