



US00D717700S

(12) **United States Design Patent**  
**Dasbach**

(10) **Patent No.:** **US D717,700 S**

(45) **Date of Patent:** **\*\* Nov. 18, 2014**

(54) **MEMBER OF A FRAME FOR A BIKE**

(71) Applicant: **Robert Bosch GmbH**, Stuttgart (DE)

(72) Inventor: **Gregor Dasbach**, Mondeville (FR)

(73) Assignee: **Robert Bosch GmbH**, Stuttgart (DE)

(\*\*) Term: **14 Years**

(21) Appl. No.: **29/446,444**

(22) Filed: **Feb. 23, 2013**

(30) **Foreign Application Priority Data**

Aug. 23, 2012 (EM) ..... 002091330  
Oct. 5, 2012 (EM) ..... 002114223

(51) **LOC (10) Cl.** ..... **12-11**

(52) **U.S. Cl.**  
USPC ..... **D12/111**

(58) **Field of Classification Search**  
USPC ..... D12/111, 117, 223, 112; 280/243, 246,  
280/247, 252, 255, 263, 282, 281.1, 274,  
280/283, 288.3, 259, 278, 287, 261,  
280/124.103, 87.05, 87.1, 638, 288.4,  
280/87.041, 258, 210, 279; D34/18  
See application file for complete search history.

(56) **References Cited**

U.S. PATENT DOCUMENTS

5,593,168 A \* 1/1997 Chou ..... 280/275  
D379,163 S \* 5/1997 Lai ..... D12/111  
D385,228 S \* 10/1997 Thompson et al. .... D12/111  
D386,451 S \* 11/1997 Liao ..... D12/111  
D396,670 S \* 8/1998 Wasserhess et al. .... D12/111  
D610,047 S \* 2/2010 Uimonen ..... D12/111

8,439,382 B2 \* 5/2013 Tortola ..... 280/281.1  
D683,661 S \* 6/2013 Horne ..... D12/111  
D693,739 S \* 11/2013 Uimonen ..... D12/111  
D693,740 S \* 11/2013 Eagleman et al. .... D12/111  
2003/0193159 A1 \* 10/2003 Ridenhour ..... 280/255  
2007/0007745 A1 \* 1/2007 Shim et al. .... 280/282  
2008/0197603 A1 \* 8/2008 Wei Lin ..... 280/281.1

\* cited by examiner

*Primary Examiner* — Eric Goodman

*Assistant Examiner* — Ryan Harvey

(74) *Attorney, Agent, or Firm* — Maginot, Moore & Beck LLP

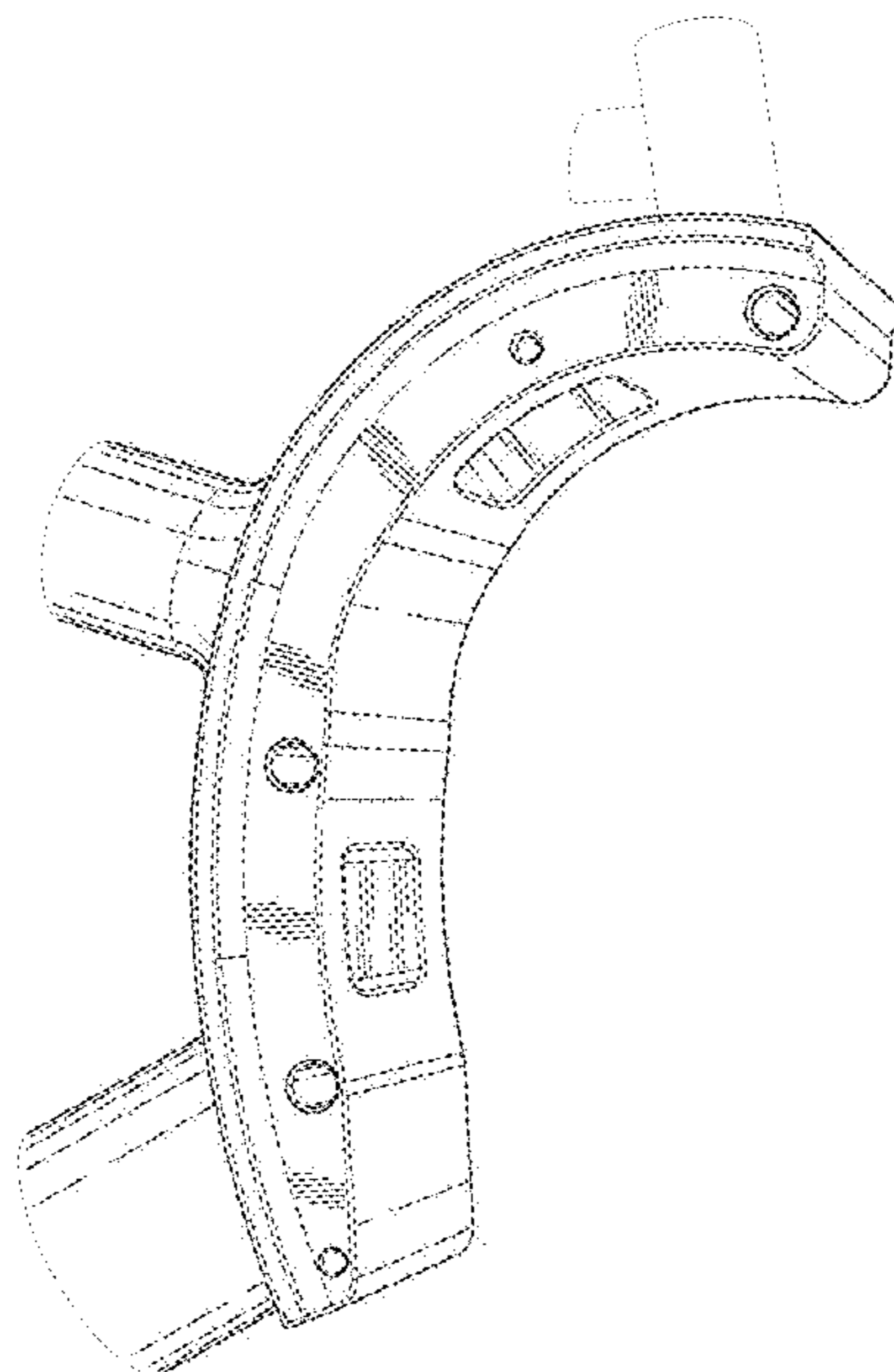
(57) **CLAIM**

The ornamental design for a member of a frame for a bike, as shown and described.

**DESCRIPTION**

FIG. 1 is a perspective view of a member of a frame for a bike showing my new design;  
FIG. 2 is a left side elevational view showing the design for the frame member of FIG. 1;  
FIG. 3 is a right side elevational view showing the design for the frame member of FIG. 1;  
FIG. 4 is a front elevational view showing the design for the frame member of FIG. 1;  
FIG. 5 is a rear elevational view showing the design for the frame member of FIG. 1;  
FIG. 6 is a top elevational view showing the design for the frame member of FIG. 1; and,  
FIG. 7 is a bottom elevational view showing the design for the frame member of FIG. 1.  
The broken lines shown in the drawings are included for the purpose of illustrating unclaimed portions of the frame member and form no part of the claimed design.

**1 Claim, 7 Drawing Sheets**



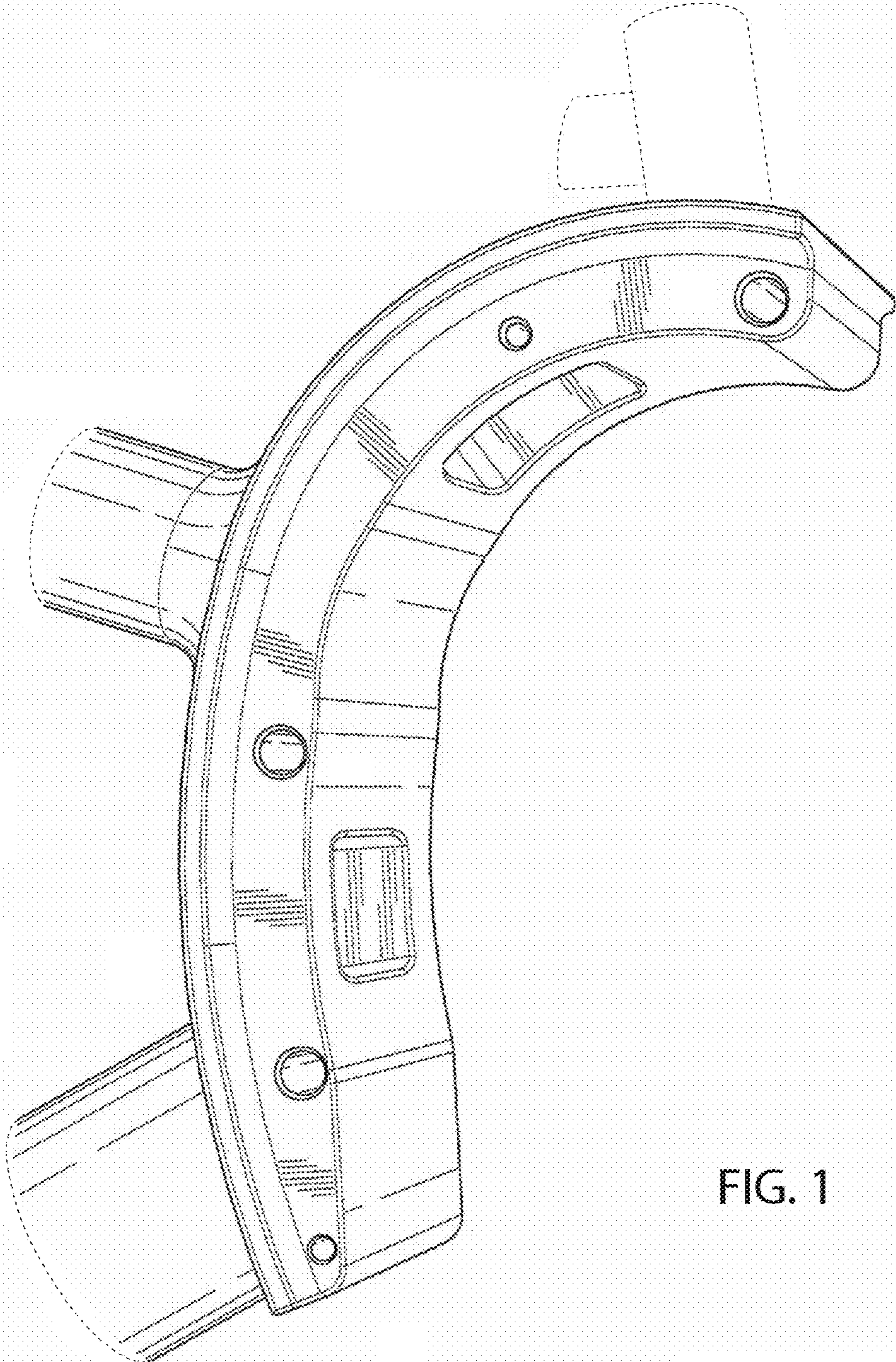


FIG. 1

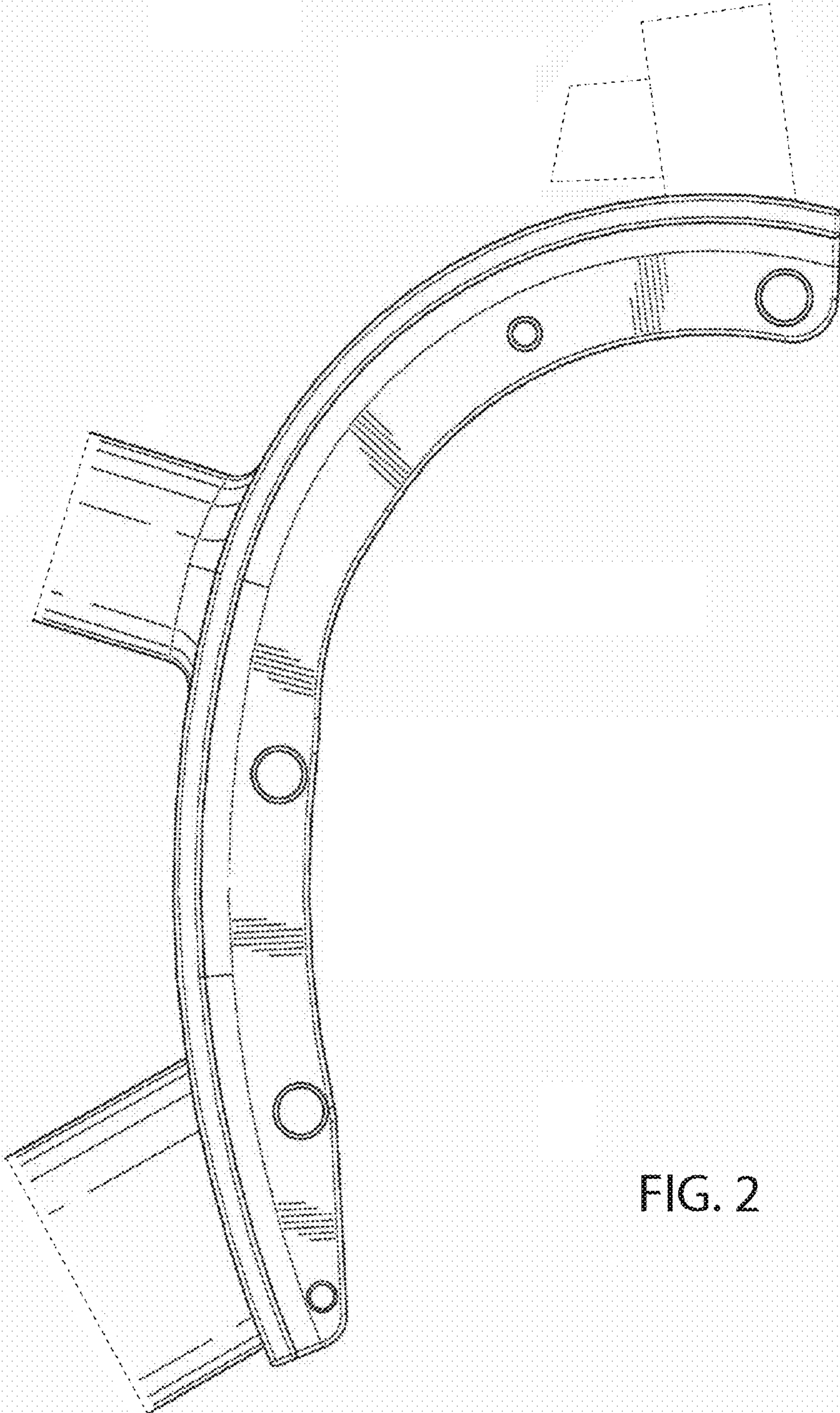


FIG. 2

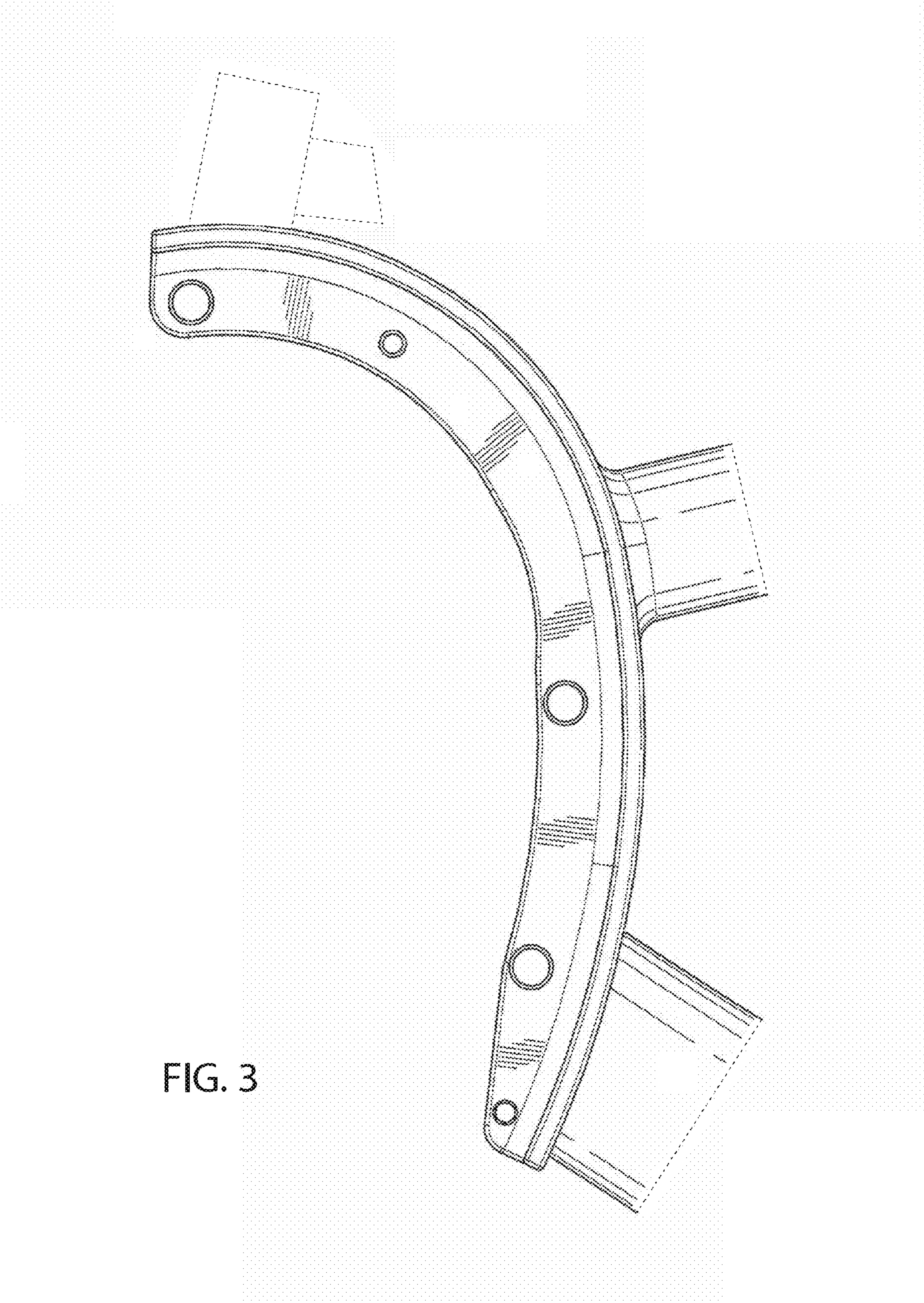


FIG. 3

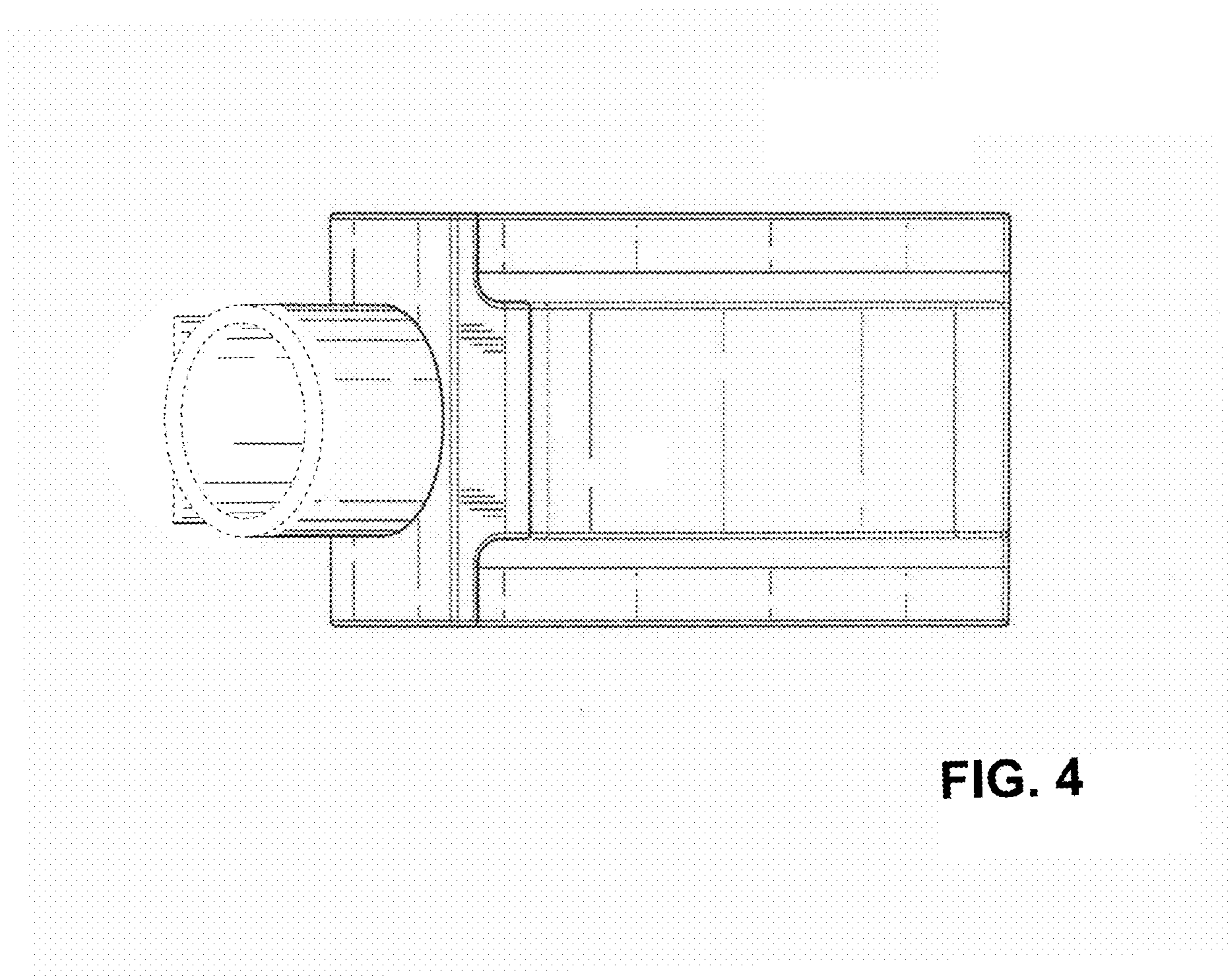


FIG. 4

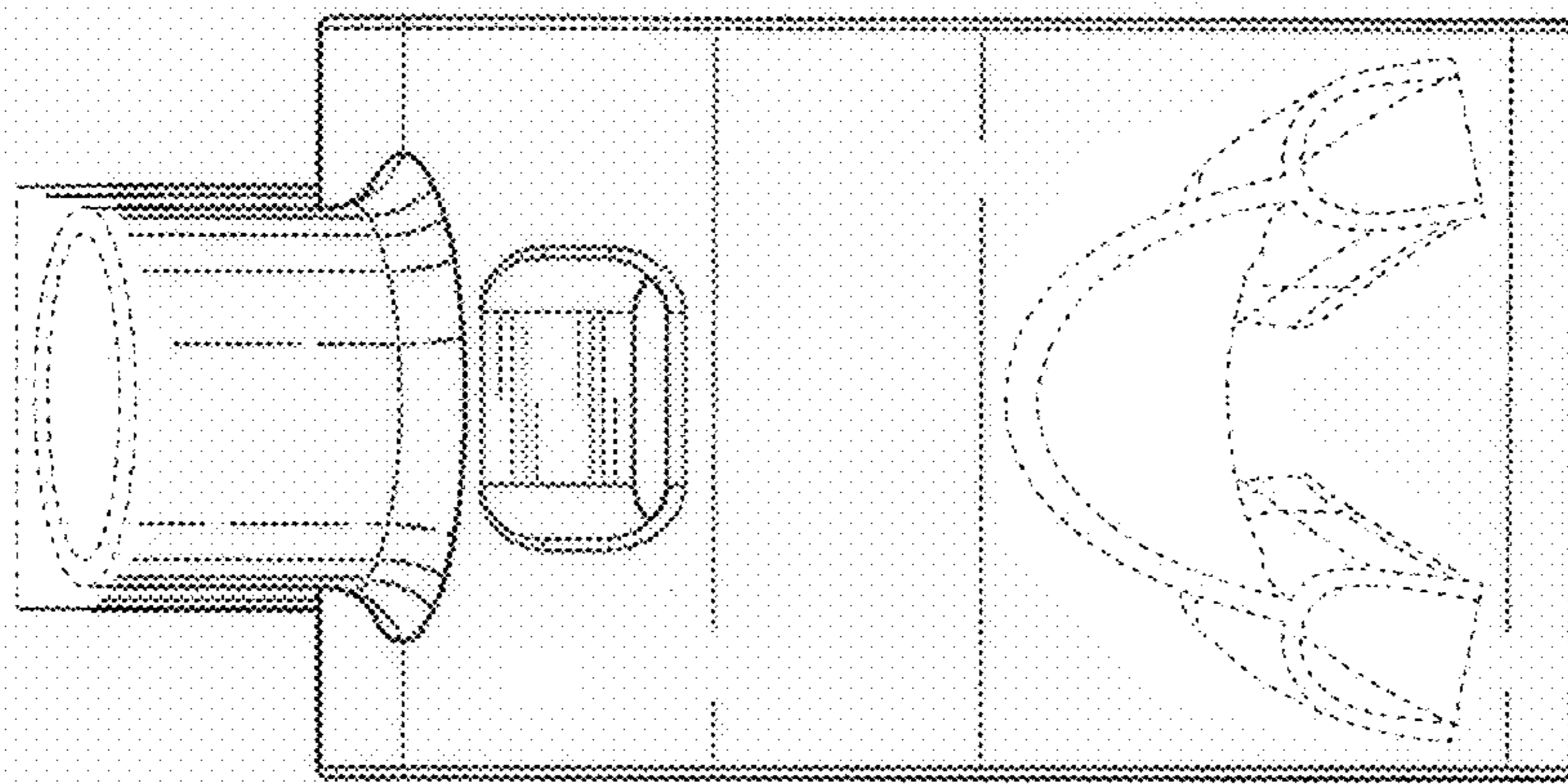


FIG. 5

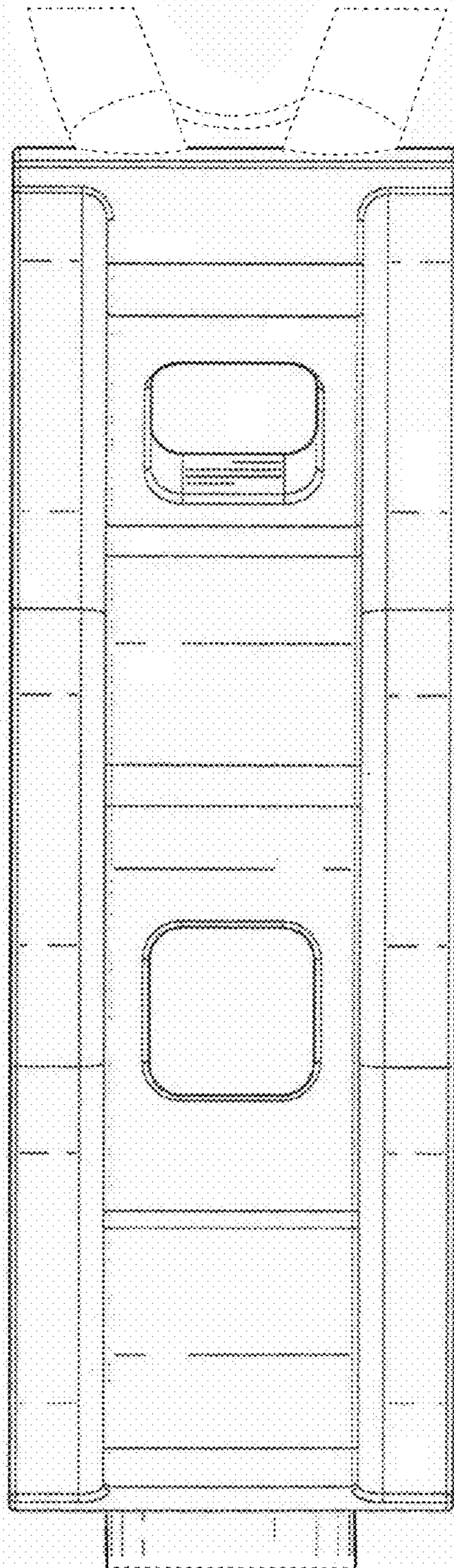
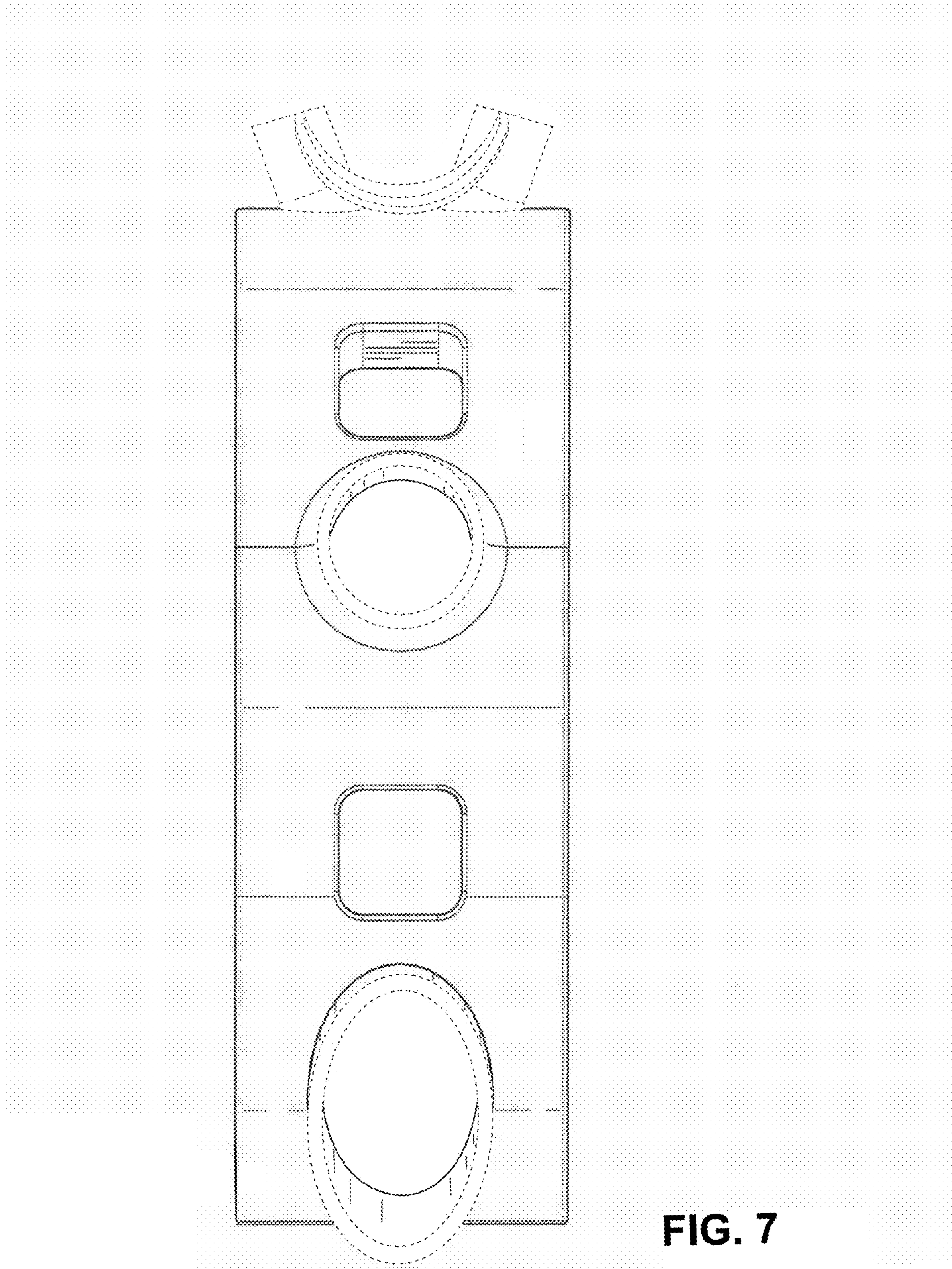


FIG. 6



**FIG. 7**