



US00D717699S

(12) **United States Design Patent**  
**Tako et al.**

(10) **Patent No.:** **US D717,699 S**

(45) **Date of Patent:** **\*\* Nov. 18, 2014**

(54) **FRONT COWL FOR MOTORCYCLES**

(71) Applicant: **Honda Motor Co., Ltd.**, Tokyo (JP)

(72) Inventors: **Kenji Tako**, Wako (JP); **Hirotsugu Ueno**, Wako (JP)

(73) Assignee: **Honda Motor Co., Ltd.**, Tokyo (JP)

(\*\*) Term: **14 Years**

(21) Appl. No.: **29/476,352**

(22) Filed: **Dec. 12, 2013**

(30) **Foreign Application Priority Data**

Jun. 13, 2013 (JP) ..... 2013-013389

(51) **LOC (10) Cl.** ..... **12-11**

(52) **U.S. Cl.**  
USPC ..... **D12/110**

(58) **Field of Classification Search**  
USPC ..... 280/304.3, 835, 288.4, 291, 166, 304.4,  
280/770, 850; D12/126, 186, 114, 218,  
D12/182, 110, 196, 402, 117, 107, 125, 432,  
D12/538; D6/354; 248/284.1, 354.3;  
180/309, 68.1, 229, 219, 68.4, 288,  
180/230, 228; 297/195.1, 215.12, 383,  
297/423.42; 224/413; 296/78.1, 66, 37.12,  
296/75; 403/4, 234; 123/195 A; 362/473;  
182/91; 293/105; 23/184.21, 184.36,  
23/198 E; 192/48.9, 83

See application file for complete search history.

(56) **References Cited**

**U.S. PATENT DOCUMENTS**

- D298,114 S \* 10/1988 Abe et al. .... D12/110
- D321,849 S \* 11/1991 Abe et al. .... D12/110
- D332,588 S \* 1/1993 Kohama et al. .... D12/110
- D378,204 S \* 2/1997 Heinrich et al. .... D12/110
- D437,262 S \* 2/2001 Robb et al. .... D12/110
- D531,089 S \* 10/2006 Heinrich et al. .... D12/110

- D574,299 S \* 8/2008 Kouchi et al. .... D12/110
- D582,316 S \* 12/2008 Stenegard et al. .... D12/110
- D582,822 S \* 12/2008 Watanabe et al. .... D12/186
- D584,662 S \* 1/2009 Ichihara ..... D12/126
- D610,045 S \* 2/2010 Lambri ..... D12/110
- D639,218 S \* 6/2011 Katagiri et al. .... D12/186
- D656,069 S \* 3/2012 Itaya et al. .... D12/110
- D656,867 S \* 4/2012 Uemoto et al. .... D12/110
- D669,397 S \* 10/2012 Isokari ..... D12/110
- D669,822 S \* 10/2012 Yamada et al. .... D12/110
- D677,602 S \* 3/2013 Petersson et al. .... D12/110
- D689,404 S \* 9/2013 Katagiri et al. .... D12/110

(Continued)

**OTHER PUBLICATIONS**

CTX1300, posted at Honda, posted date not given, "2014 CTX1300", [online]. [site visited Mar. 28, 2014]. Available from Internet, <URL: <http://powersports.honda.com/2014/ctx1300.aspx>.\*

*Primary Examiner* — Eric Goodman

*Assistant Examiner* — Ryan Harvey

(74) *Attorney, Agent, or Firm* — Westerman, Hattori, Daniels & Adrian, LLP

(57) **CLAIM**

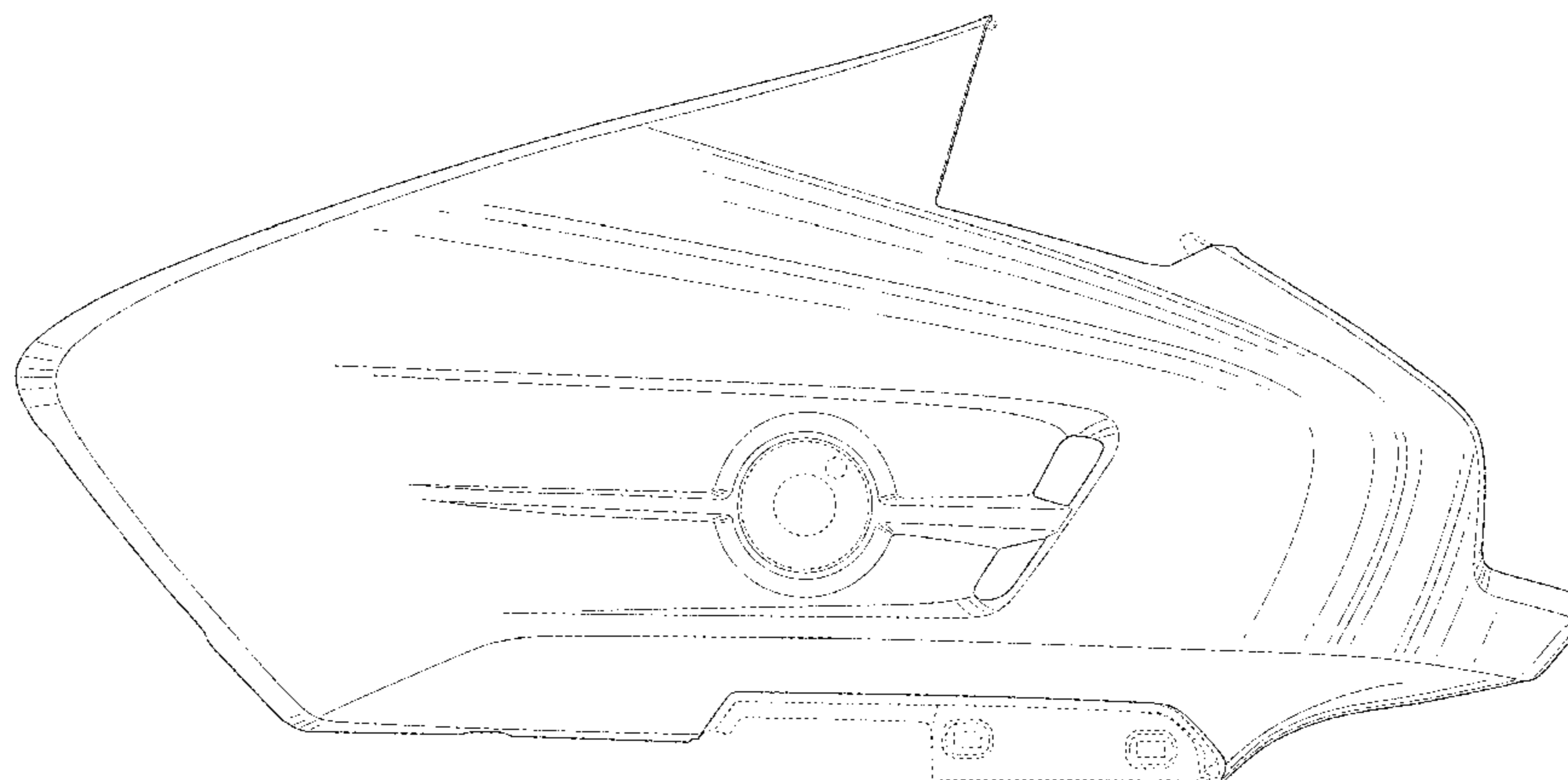
The ornamental design for a front cowl for motorcycles, as shown and described.

**DESCRIPTION**

FIG. 1 is a front elevational view of a front cowl for motorcycles showing our new design;  
FIG. 2 is a top plan view thereof;  
FIG. 3 is a bottom plan view thereof;  
FIG. 4 is a right side elevational view thereof;  
FIG. 5 is a left side elevational view thereof;  
FIG. 6 is a right front perspective view thereof;  
FIG. 7 is a left front perspective view thereof; and,  
FIG. 8 is a reference view thereof, showing the front cowl in its state of use.

The broken lines illustrate environmental structure only and form no part of the claimed design.

**1 Claim, 8 Drawing Sheets**



# US D717,699 S

Page 2

---

(56)

## References Cited

### U.S. PATENT DOCUMENTS

D689,800 S	*	9/2013	Futamata et al.	.....	D12/126	
D690,627 S	*	10/2013	Tsukui et al.	.....	D12/126	
D691,069 S	*	10/2013	Tsukui et al.	.....	D12/110	* cited by examiner
D692,355 S	*	10/2013	Tsuji et al.	.....	D12/110	
2013/0257115 A1	*	10/2013	Kishi et al.	.....	297/195.1	
2014/0054342 A1	*	2/2014	Hojo et al.	.....	224/413	

FIG.1

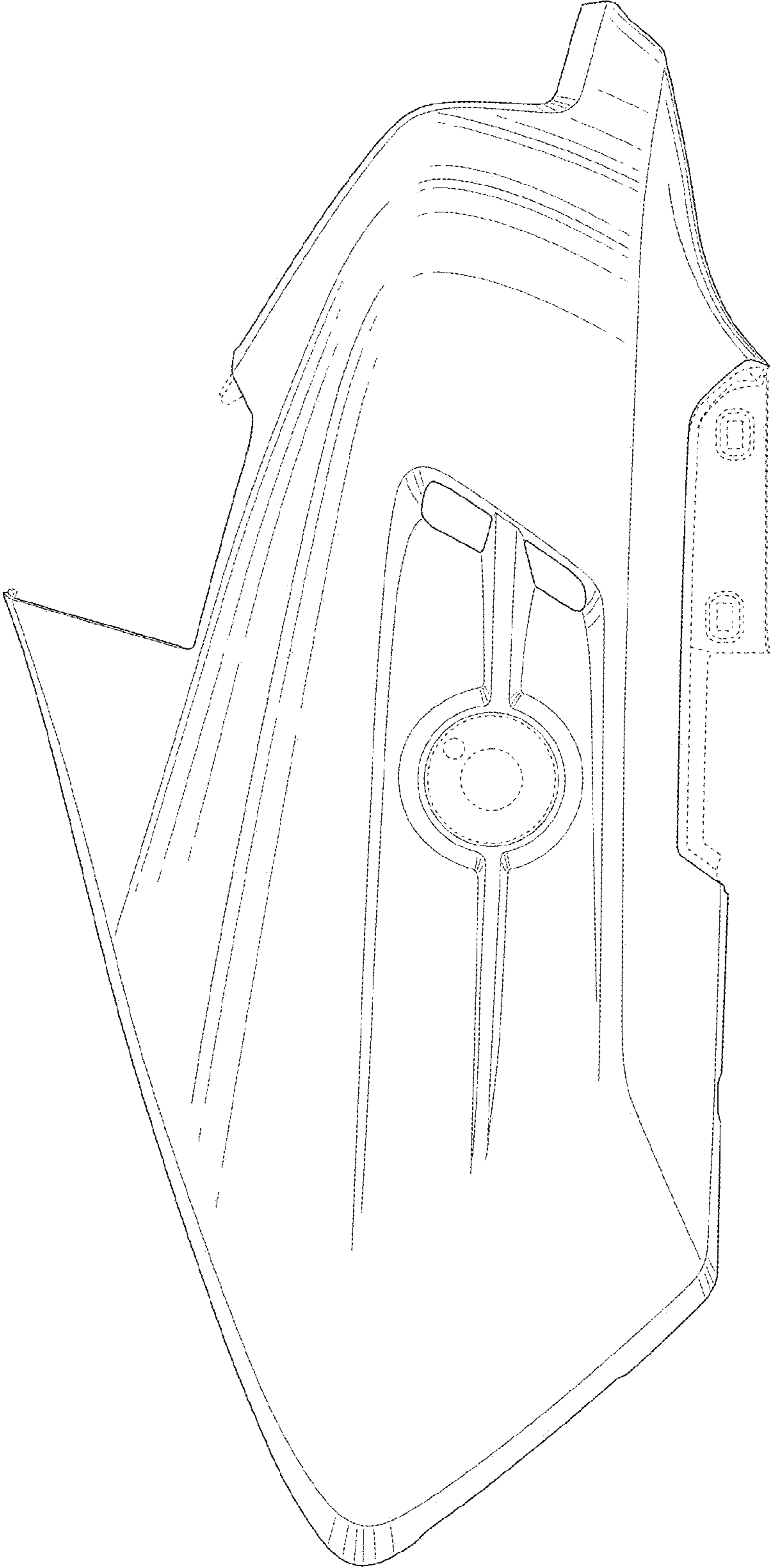


FIG.2

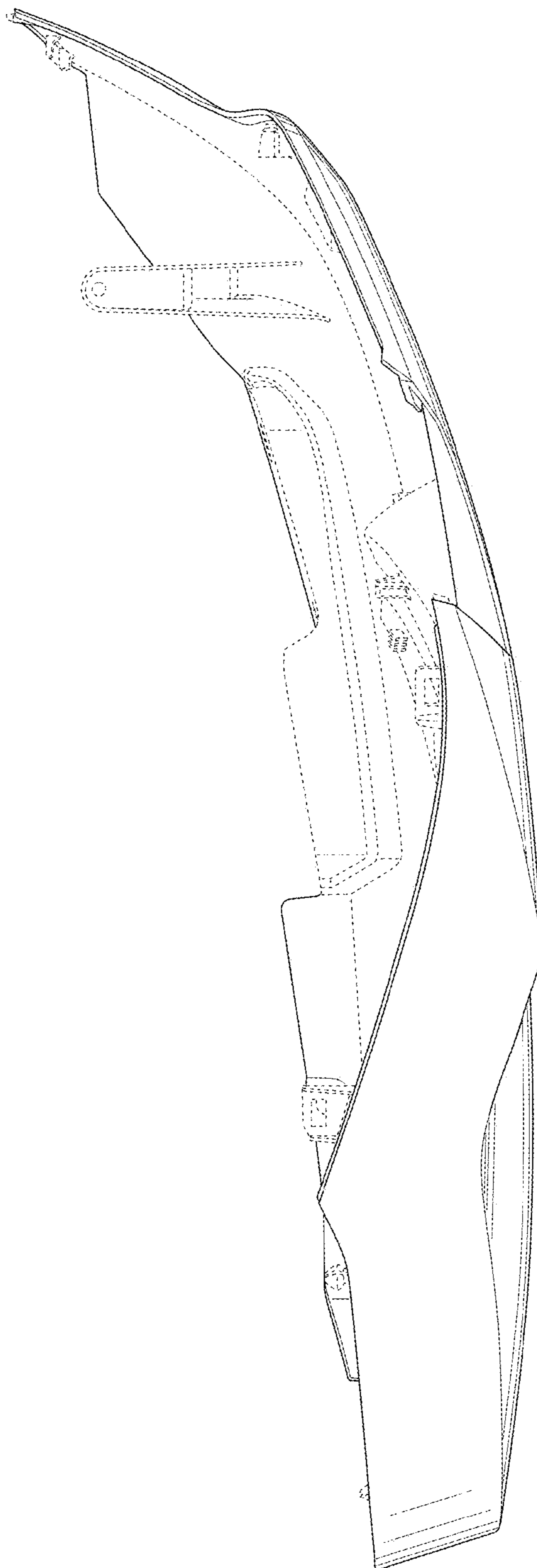


FIG.3

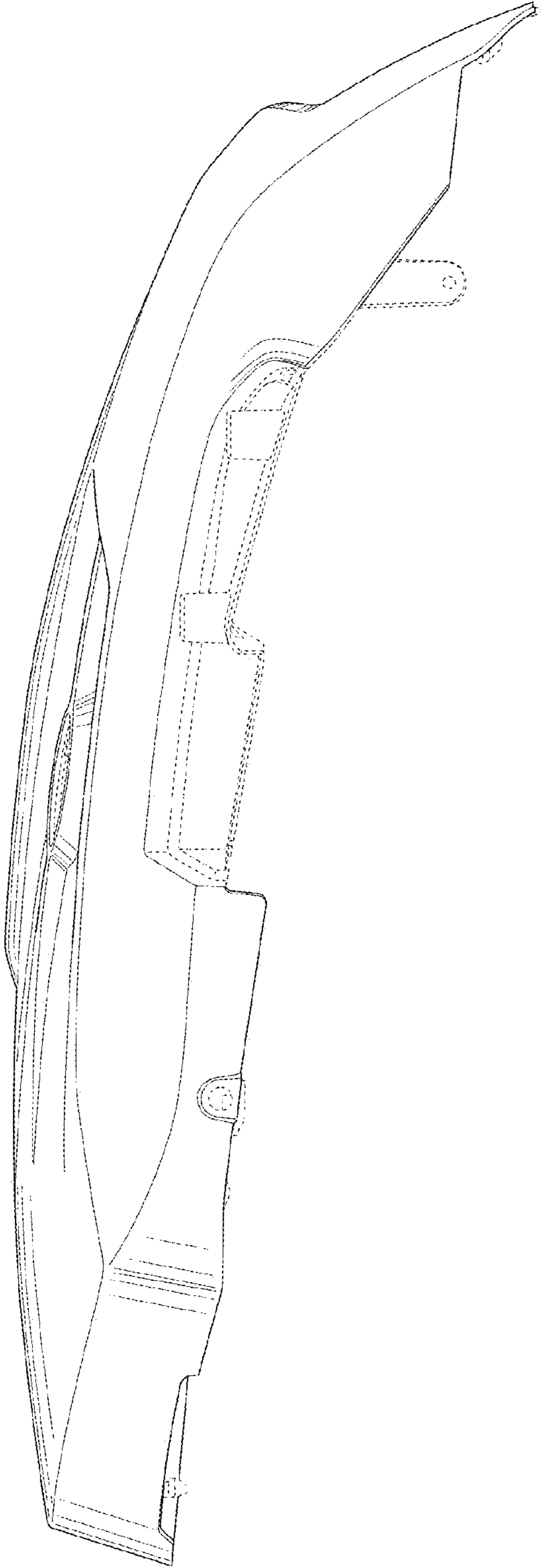


FIG.4

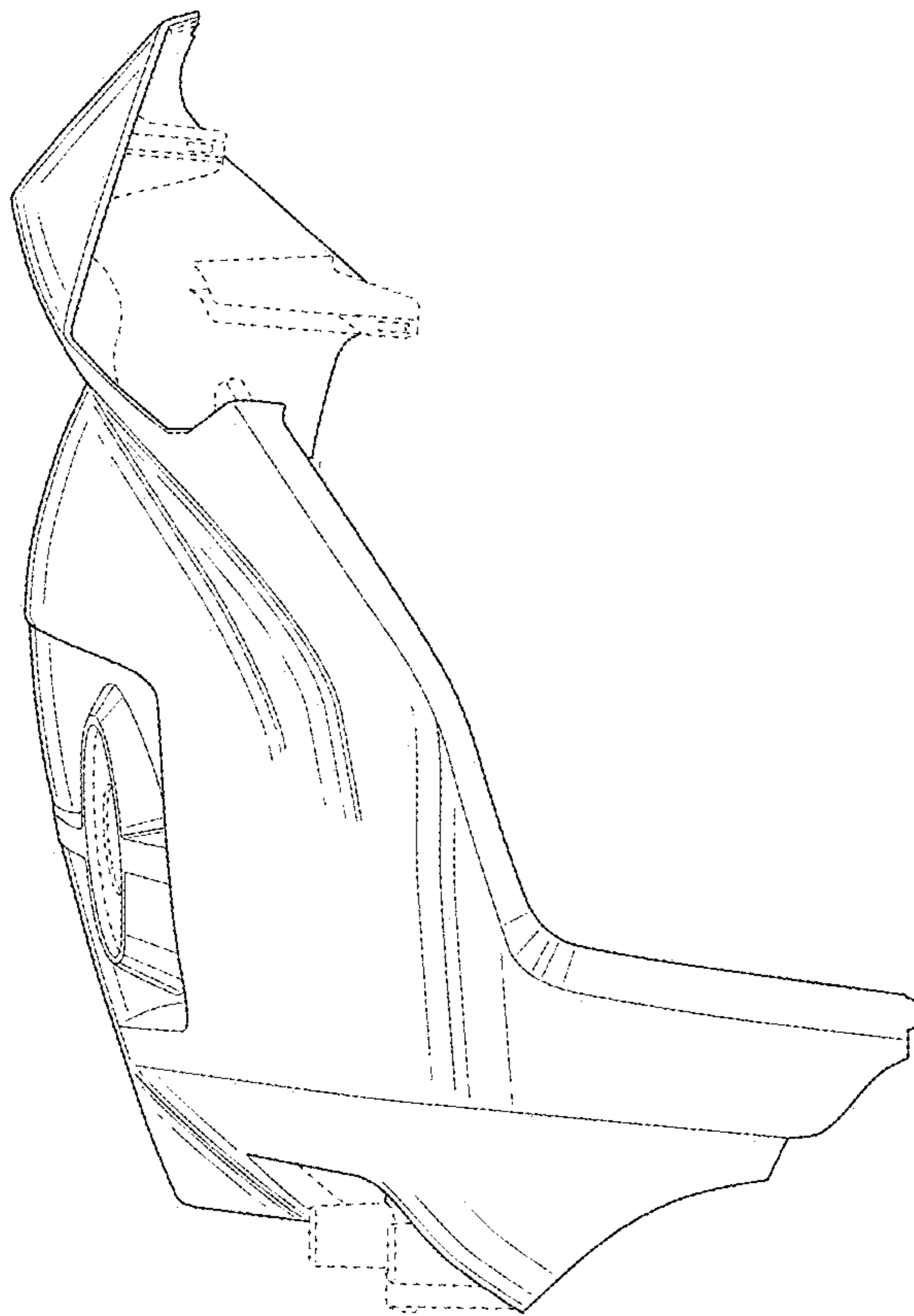


FIG.5

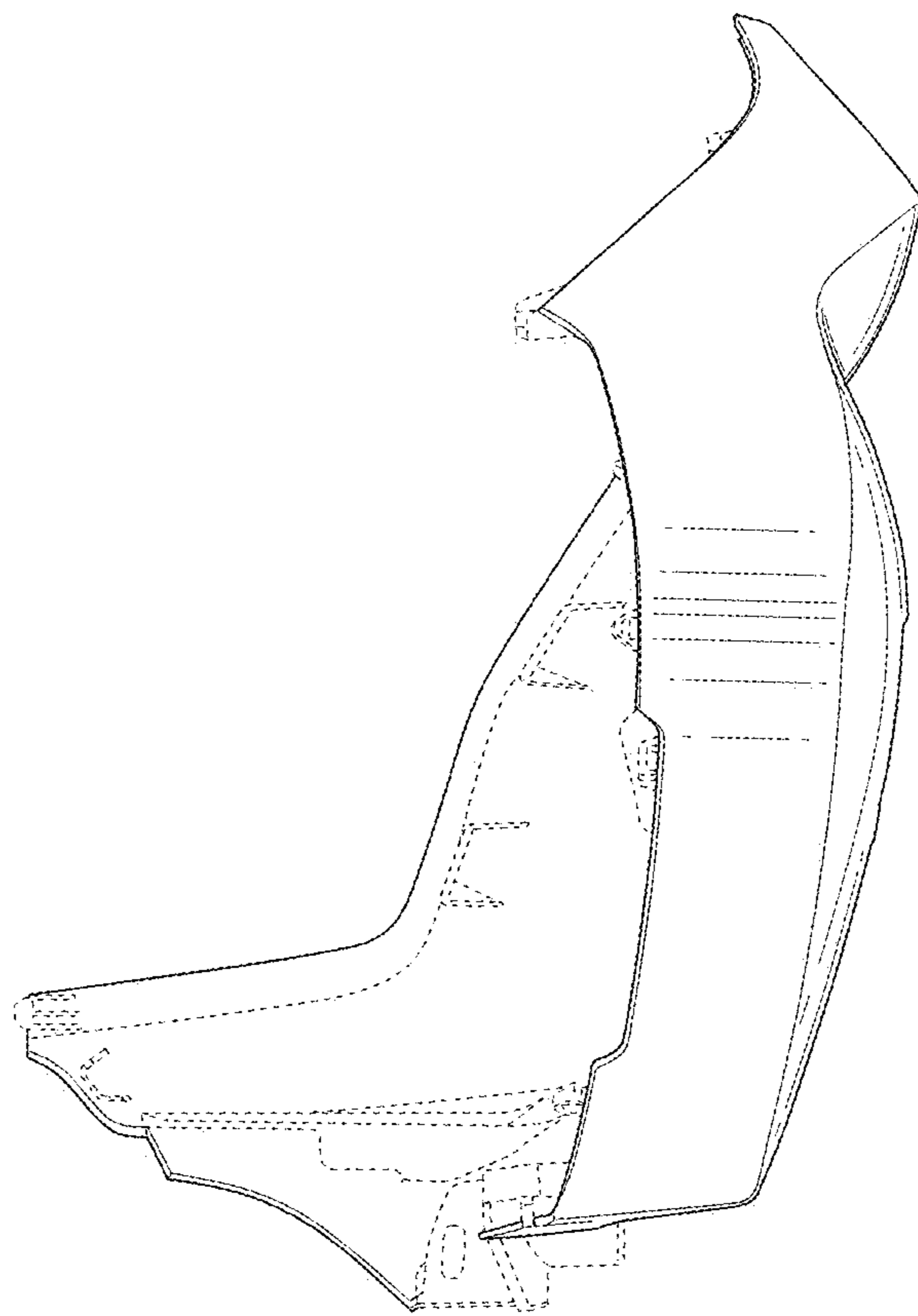


FIG.6

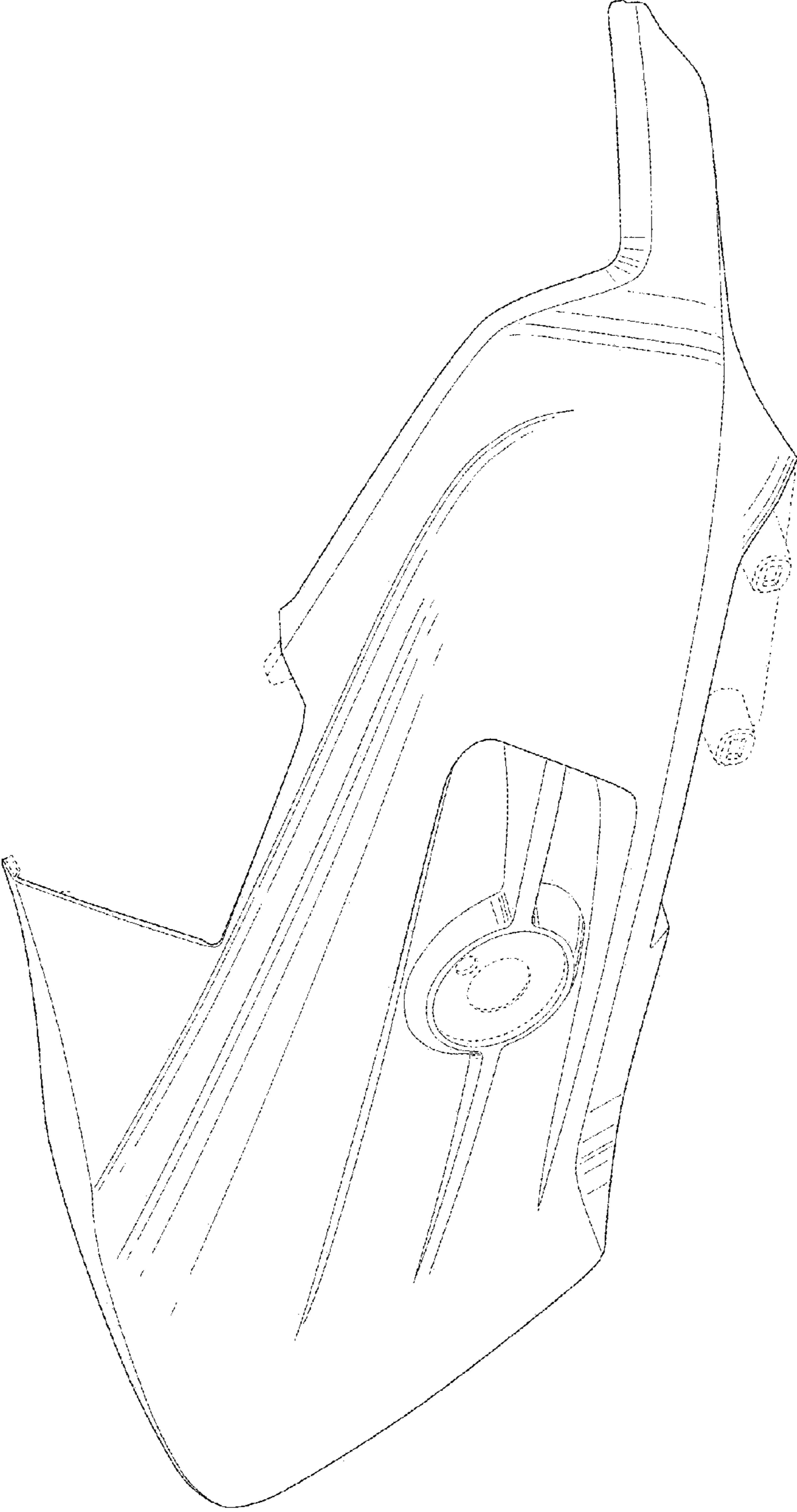




FIG.7

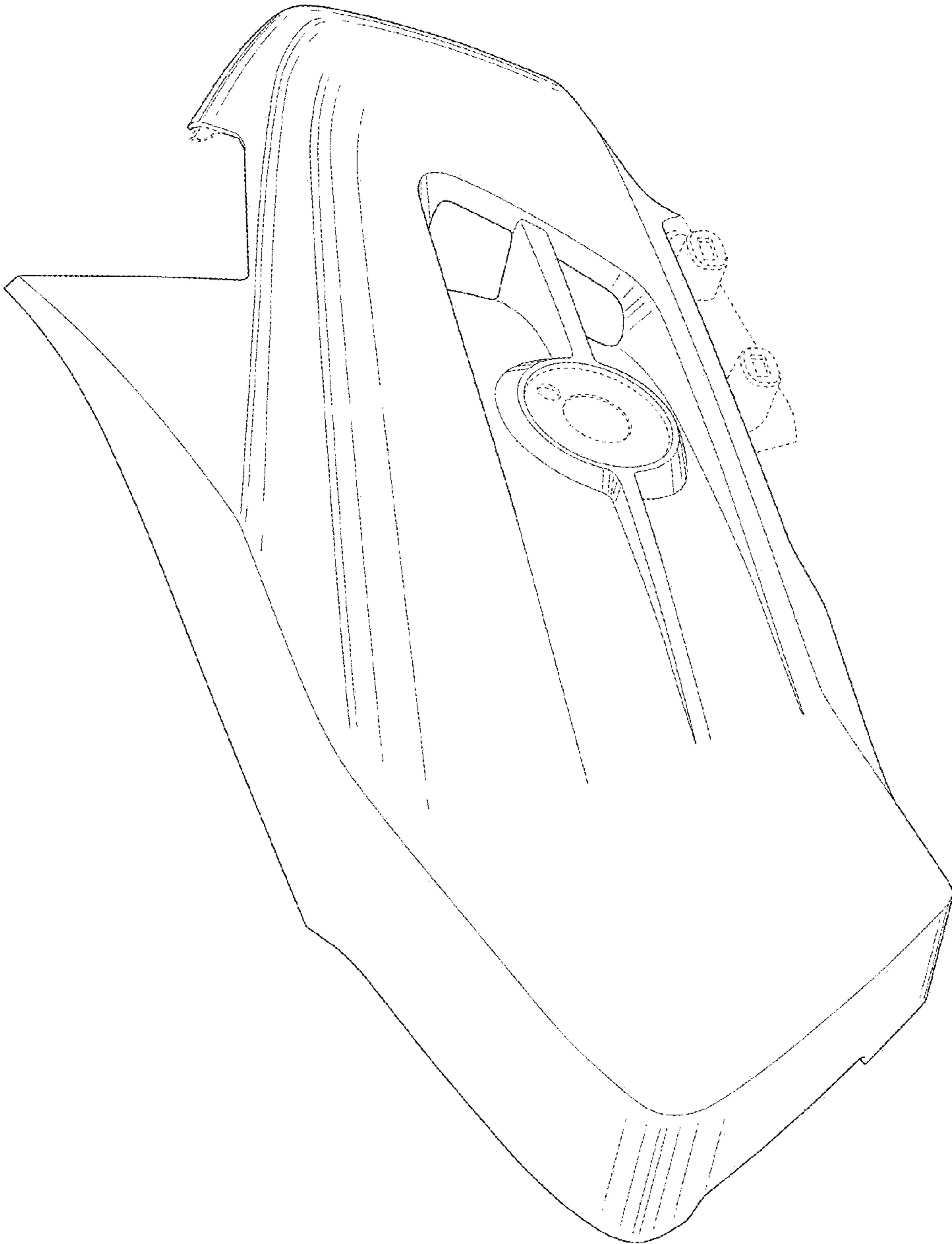


FIG.8

