



US00D717696S

(12) **United States Design Patent**
Thole et al.

(10) **Patent No.:** **US D717,696 S**
(45) **Date of Patent:** **** Nov. 18, 2014**

(54) **VEHICLE BODY EXTERIOR**
(71) Applicant: **GM Global Technology Operations LLC**, Detroit, MI (US)
(72) Inventors: **Louis D. Thole**, Grosse Pointe Park, MI (US); **Scott P. Wassell**, Leonard, MI (US); **Jesung Ahn**, Sterling Heights, MI (US)

D613,645 S 4/2010 Song et al.
D615,458 S 5/2010 Thompson et al.
D622,634 S * 8/2010 Yamamoto et al. D12/91
D627,262 S 11/2010 Ikeda et al.
D630,972 S * 1/2011 Fujiwara et al. D12/91
D633,823 S * 3/2011 Matei et al. D12/91
D635,488 S 4/2011 Phipps

(Continued)

(73) Assignee: **GM Global Technology Operations LLC**, Detroit, MI (US)

Design U.S. Appl. No. 29/416,870, filed Mar. 28, 2012; First Named Inventor: Joshua L. Thurber; Title: Vehicle Body.

(Continued)

(**) Term: **14 Years**

Primary Examiner — Melody N Brown

(21) Appl. No.: **29/466,855**

(74) *Attorney, Agent, or Firm* — Lionel D. Anderson; Reising Ethington P.C.

(22) Filed: **Sep. 12, 2013**

(51) **LOC (10) Cl.** **12-08**

(52) **U.S. Cl.**
USPC **D12/91**

(58) **Field of Classification Search**
USPC D12/86, 90–92; D21/421, 433, 434;
296/181.1, 181.5

See application file for complete search history.

(57) **CLAIM**

We claim the ornamental design for a vehicle body exterior, as shown and described.

DESCRIPTION

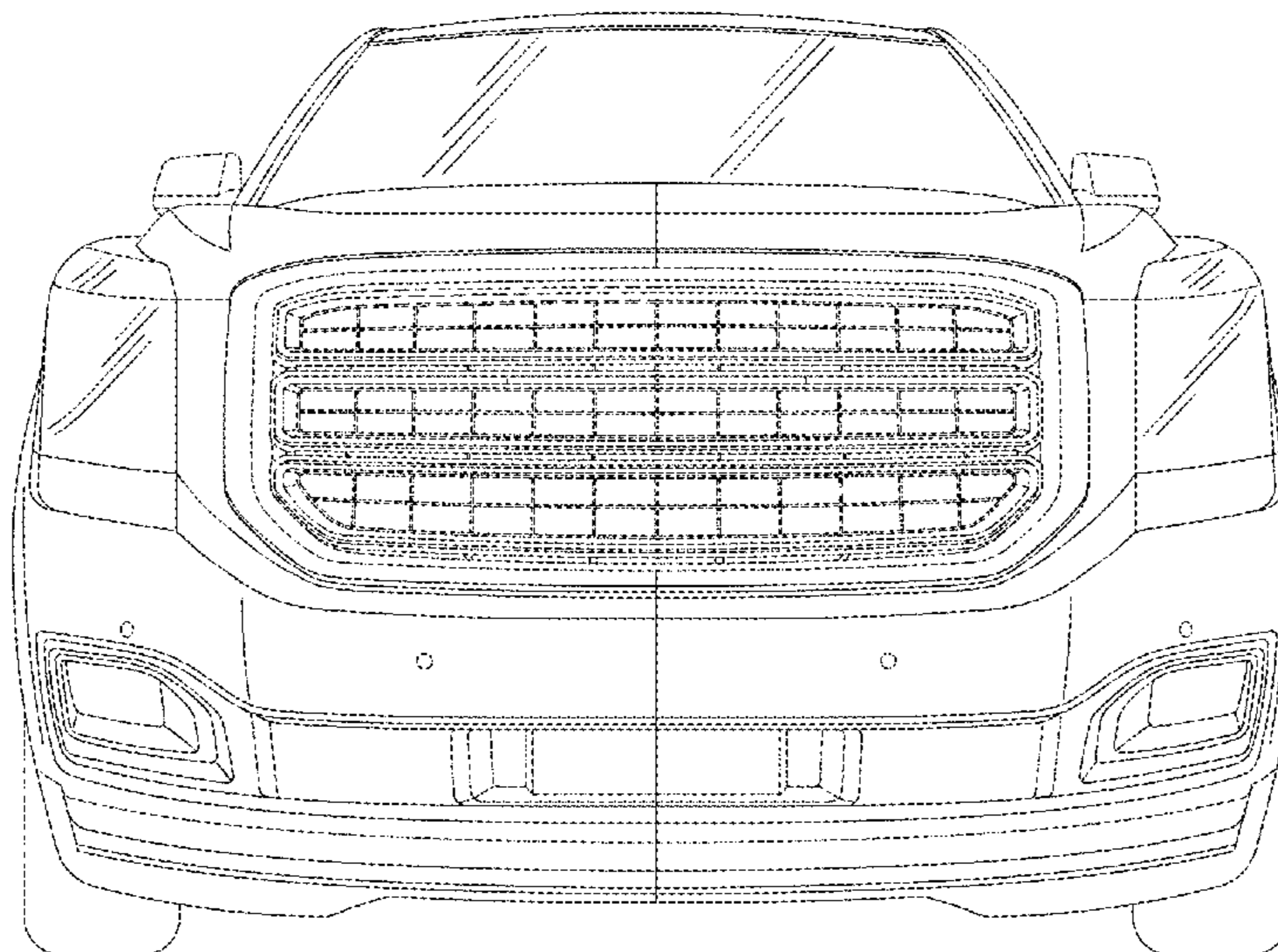
FIG. 1 is a front view of a vehicle body exterior;
FIG. 2 is a perspective view of the vehicle body exterior taken from the front;
FIG. 3 is a left side view of the vehicle body exterior;
FIG. 4 is a top view of the vehicle body exterior;
FIG. 5 is a perspective view of the vehicle body exterior taken from the rear; and,
FIG. 6 is a rear view of the vehicle body exterior.
In the drawings, the portions shown by broken lines form no part of the claim, and the right side view of the vehicle body exterior is omitted because the right side view is identical to the left side view except that the right side view does not have a gas cap cover as shown by broken lines in the left side view.

1 Claim, 6 Drawing Sheets

(56) **References Cited**

U.S. PATENT DOCUMENTS

D587,170 S * 2/2009 Tokoro et al. D12/91
D592,105 S 5/2009 Dean et al.
D597,447 S 8/2009 Folden
D599,705 S * 9/2009 Konaka et al. D12/91
D605,082 S 12/2009 Munson
D605,083 S 12/2009 Manoogian, II et al.
D605,977 S 12/2009 Zipfel et al.
D605,978 S 12/2009 Wolff et al.
D608,690 S 1/2010 Folden et al.
D608,691 S 1/2010 Zak, Jr. et al.
D609,608 S 2/2010 Boniface et al.
D611,387 S 3/2010 Thompson et al.



(56)

References Cited

U.S. PATENT DOCUMENTS

D637,110 S * 5/2011 Sperling et al. D12/91
D638,752 S * 5/2011 Date et al. D12/91
D641,291 S * 7/2011 Sperling et al. D12/91
D644,147 S 8/2011 Suh et al.
D644,567 S 9/2011 Kozub
D668,182 S 10/2012 Barba et al.
D678,820 S 3/2013 Song et al.
D678,821 S 3/2013 Ikeda et al.

D680,909 S 4/2013 Munson et al.
D685,677 S * 7/2013 Jeon D12/91
D686,536 S 7/2013 McCabe et al.
D693,737 S * 11/2013 Hammoud et al. D12/91
D706,171 S * 6/2014 Bischoff et al. D12/91

OTHER PUBLICATIONS

Design U.S. Appl. No. 29/428,494, filed Jul. 31, 2012; First Named
Inventor: Morio Ikeda; Title: Vehicle Body Exterior.

* cited by examiner

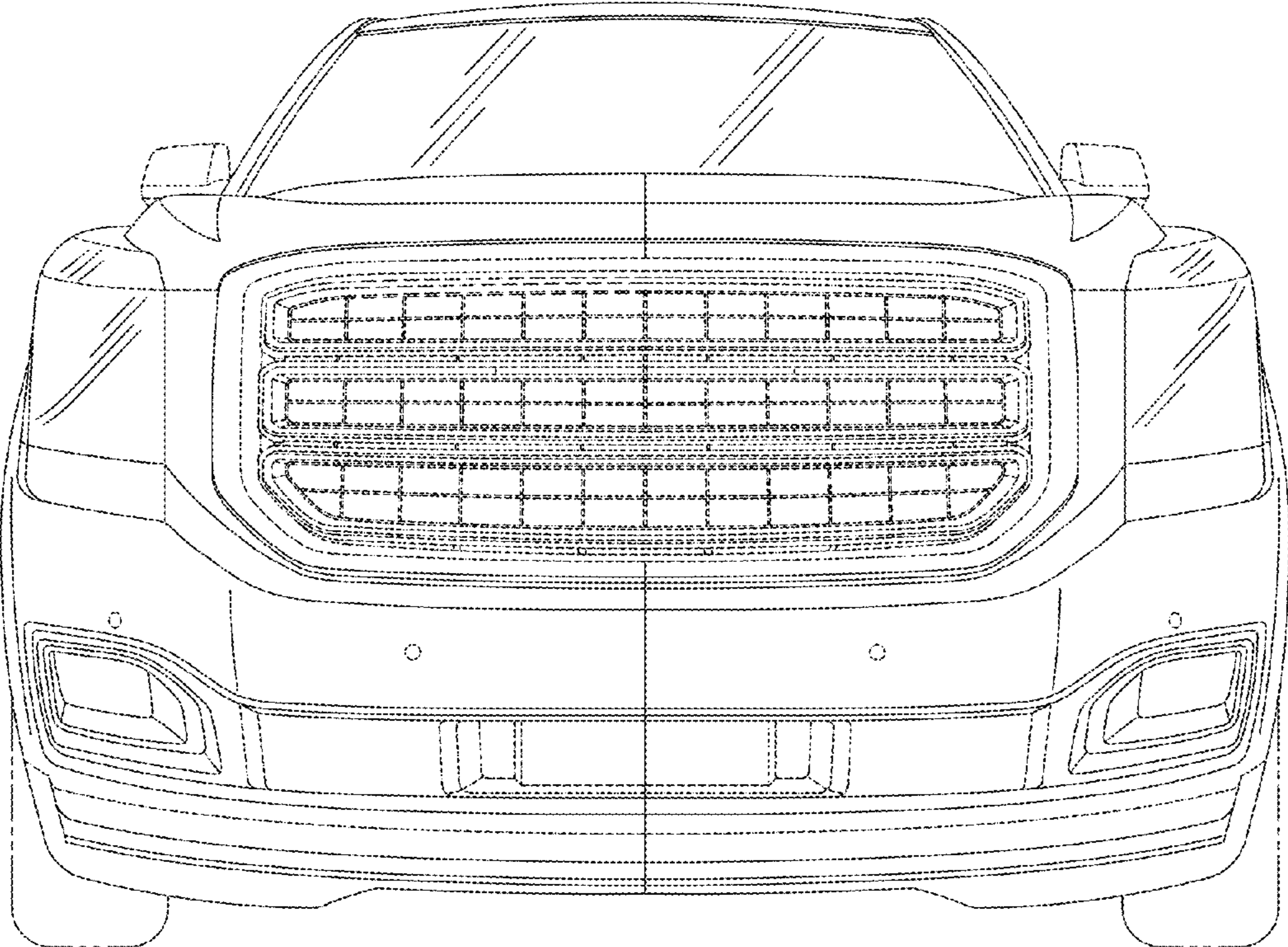


Fig-1

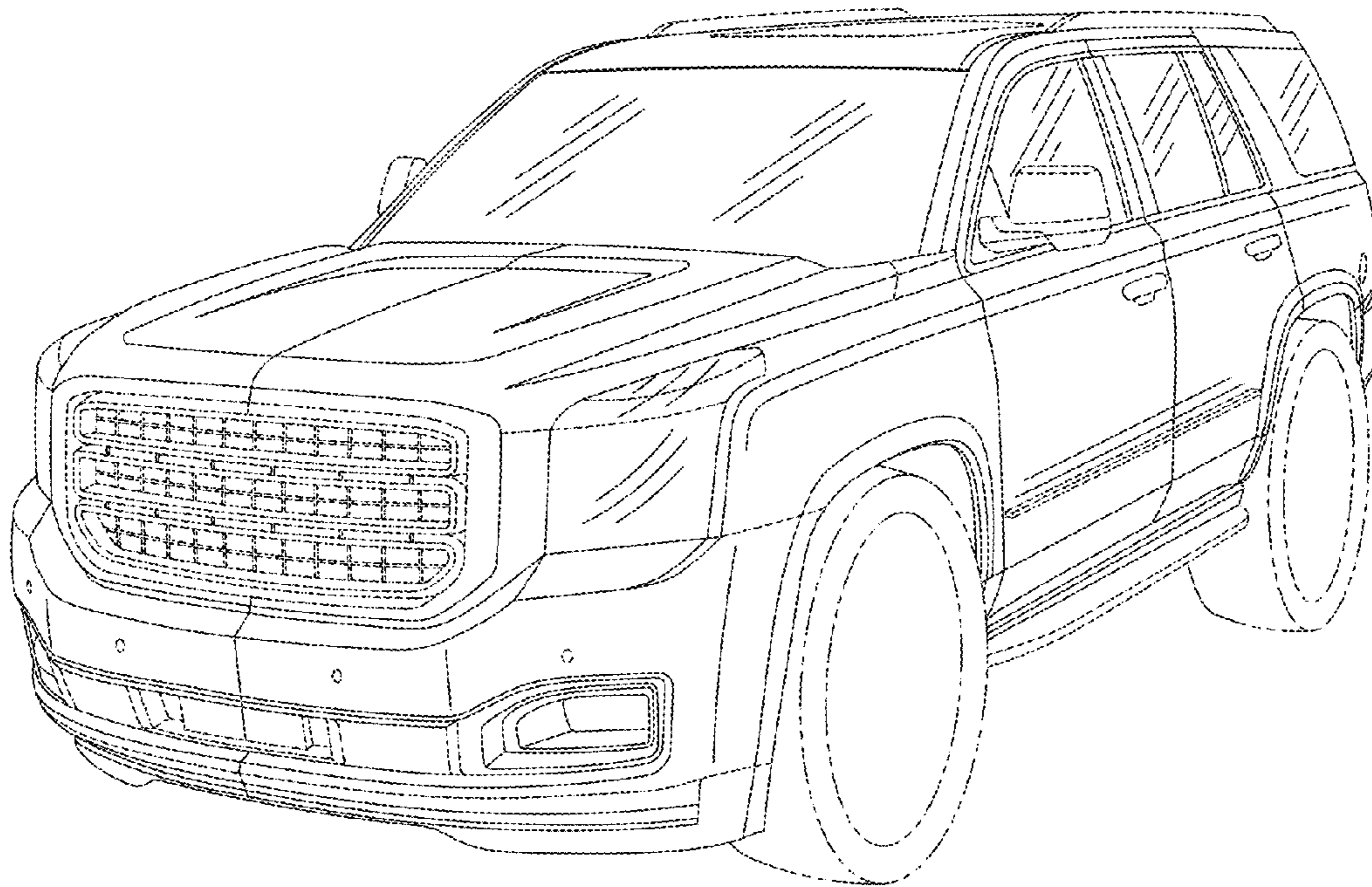


Fig-2

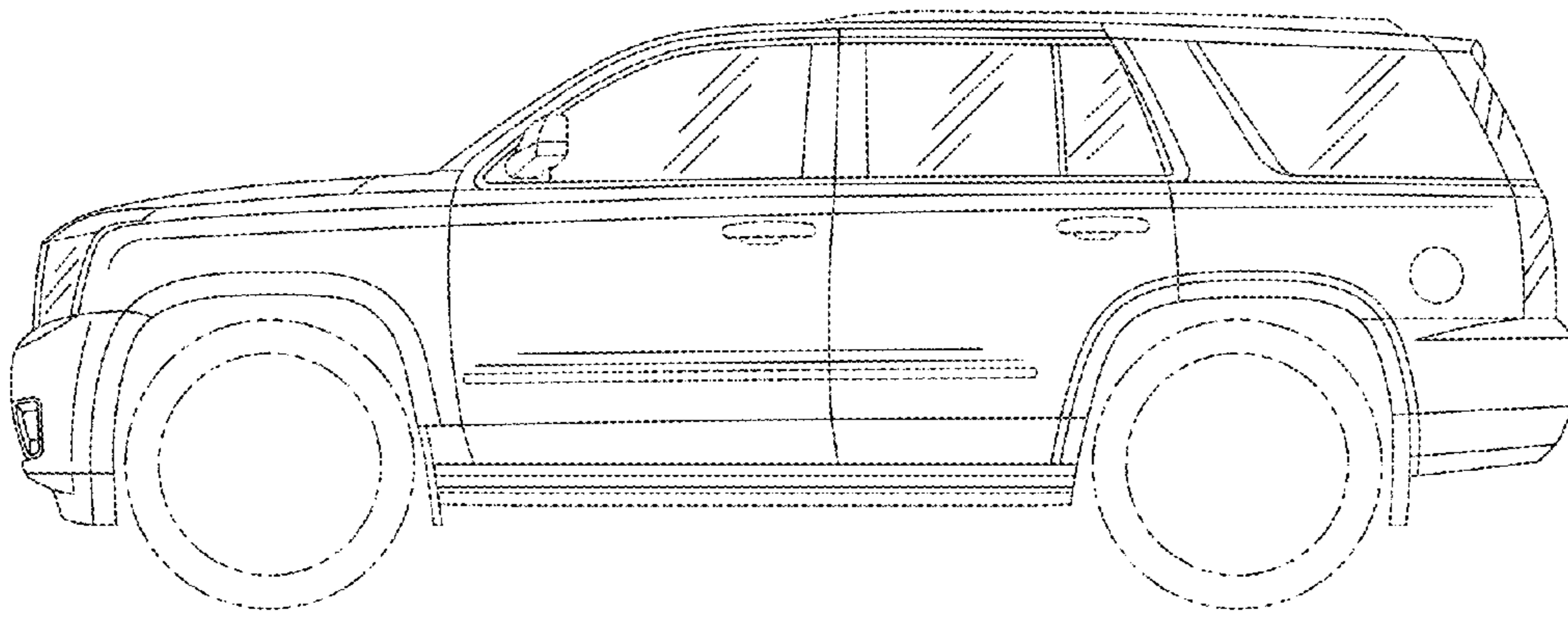


Fig-3

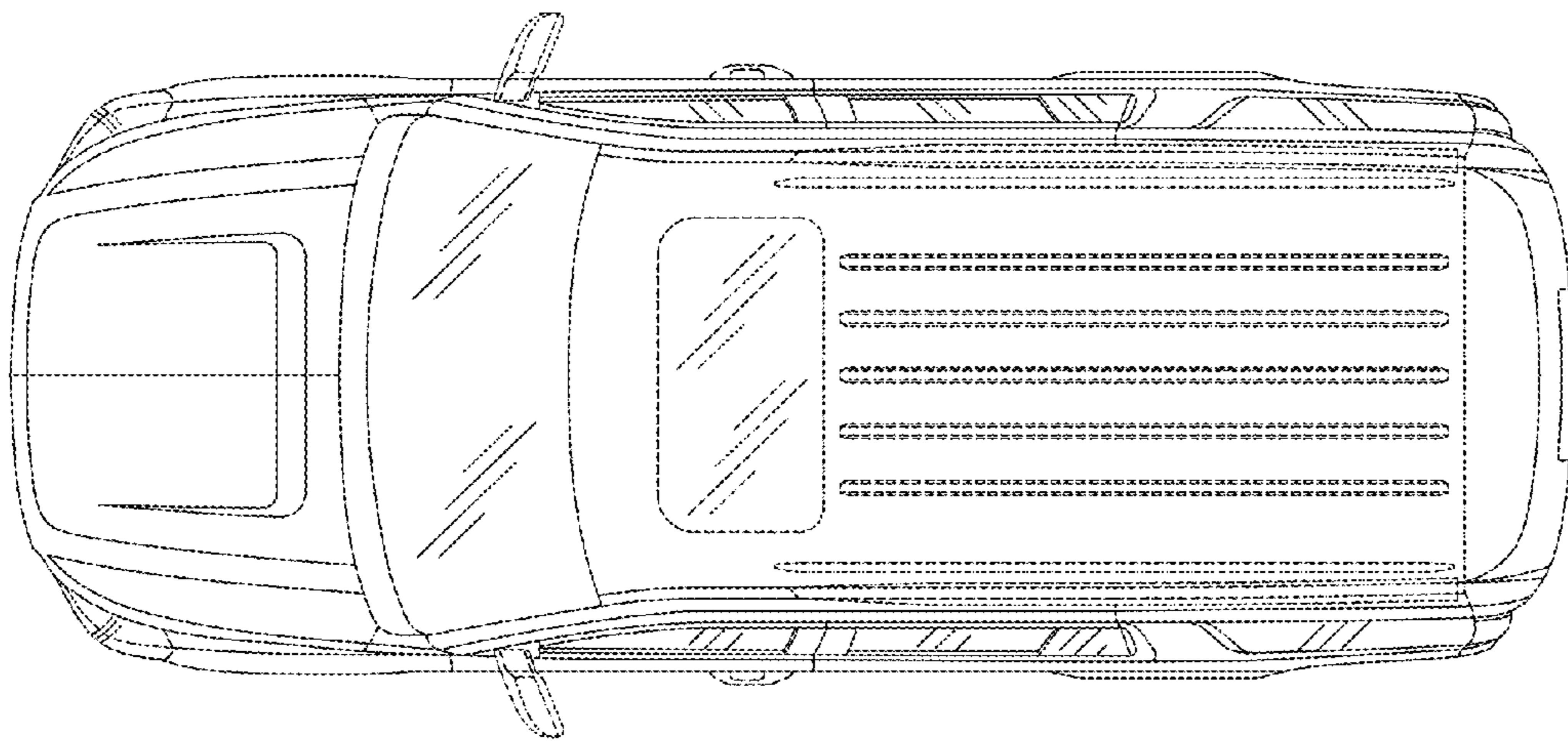


Fig-4

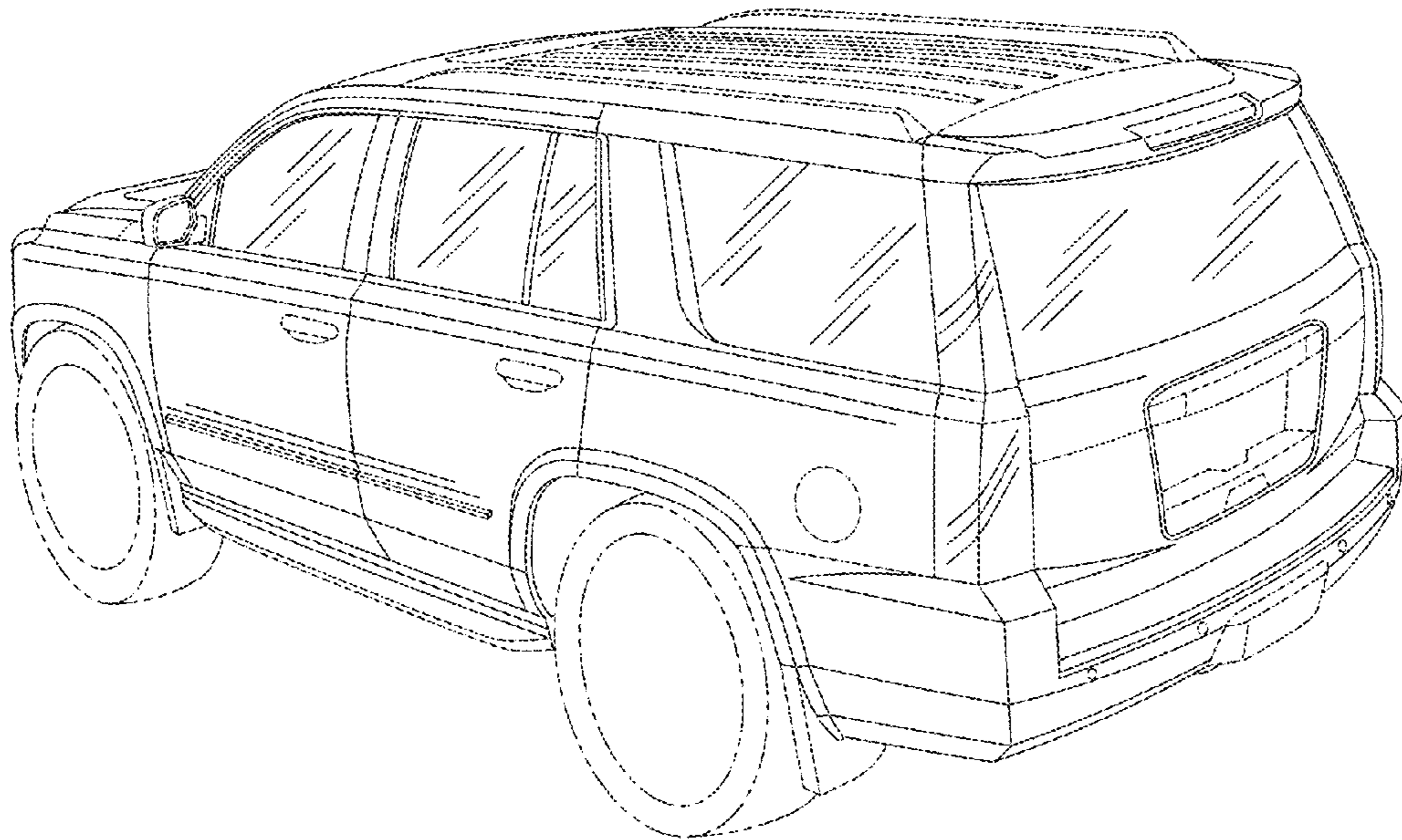


Fig-5

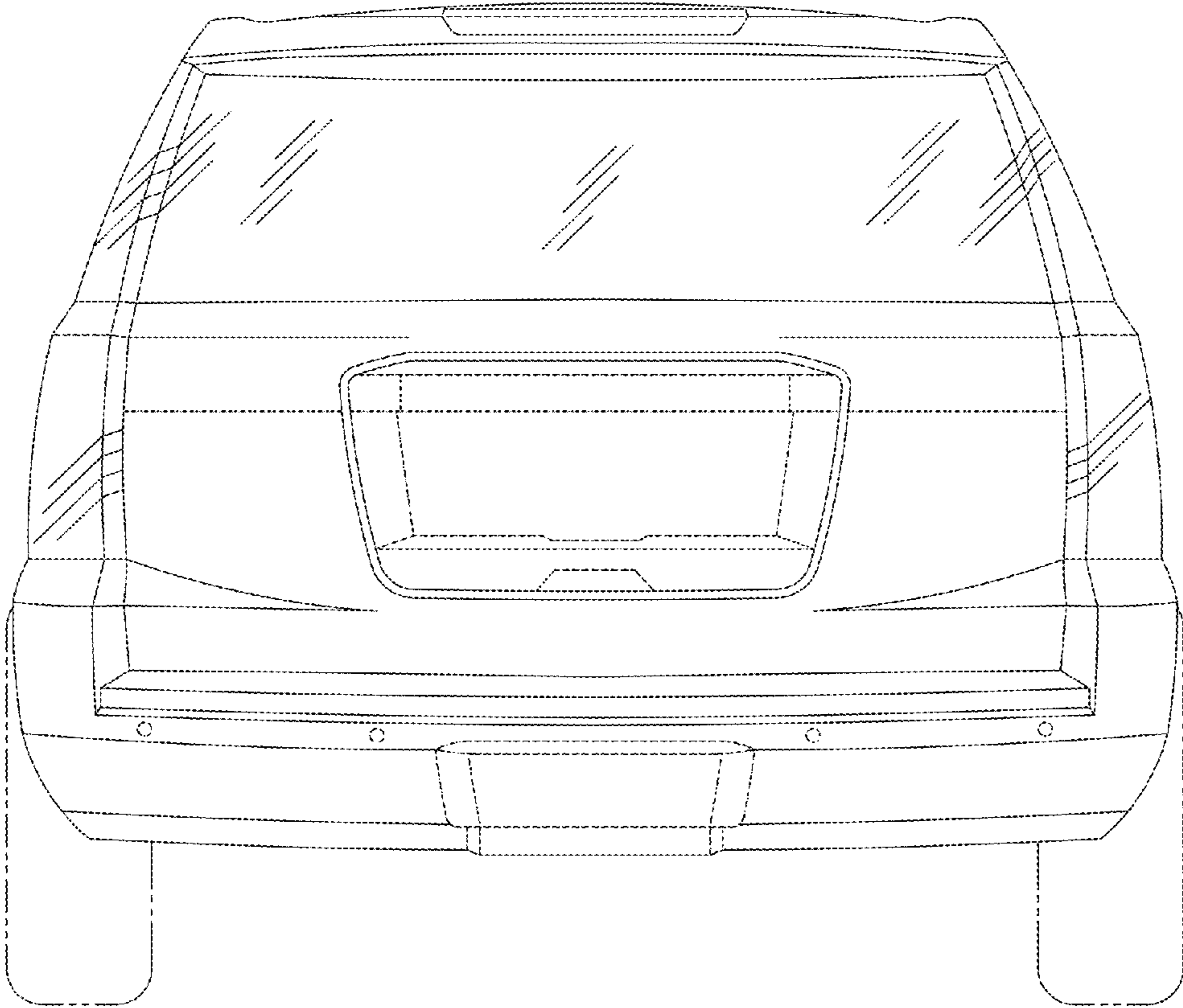


Fig-6