



US00D717695S

(12) **United States Design Patent**  
**Matsumura**

(10) **Patent No.:** **US D717,695 S**

(45) **Date of Patent:** **\*\* Nov. 18, 2014**

(54) **UTILITY VEHICLE**

(71) Applicant: **Kawasaki Jukogyo Kabushiki Kaisha,**  
Hyogo (JP)

(72) Inventor: **Norikazu Matsumura,** Akashi (JP)

(73) Assignee: **Kawasaki Jukogyo Kabushiki Kaisha,**  
Hyogo (JP)

(\*\*) Term: **14 Years**

(21) Appl. No.: **29/465,512**

(22) Filed: **Aug. 28, 2013**

(51) **LOC (10) Cl.** ..... **12-14**

(52) **U.S. Cl.**  
USPC ..... **D12/14**

(58) **Field of Classification Search**  
USPC ..... D12/14, 1, 87, 86, 433, 15, 16, 107, 82,  
D12/88, 89, 90, 91, 92, 93; D21/803;  
180/233, 908; 208/DIG. 5, 183, 184,  
208/185, 186, 28, 37.7

See application file for complete search history.

(56) **References Cited**

**U.S. PATENT DOCUMENTS**

D675,960 S \* 2/2013 Hashimoto et al. .... D12/87  
D694,668 S \* 12/2013 Li et al. .... D12/14

D699,627 S \* 2/2014 Tang ..... D12/14  
2008/0053738 A1 \* 3/2008 Kosuge et al. .... 180/311  
2012/0161477 A1 \* 6/2012 Furman et al. .... 296/203.03

\* cited by examiner

*Primary Examiner* — T. Chase Nelson

*Assistant Examiner* — Ania Aman

(57) **CLAIM**

The ornamental design for an utility vehicle, as shown and described.

**DESCRIPTION**

FIG. 1 is a front elevational view of an utility vehicle showing my new design;

FIG. 2 is a rear elevational view thereof;

FIG. 3 is a left side elevational view thereof;

FIG. 4 is a right side elevational view thereof;

FIG. 5 is a top plan view thereof;

FIG. 6 is a bottom plan view thereof;

FIG. 7 is a front left perspective view thereof;

FIG. 8 is a rear left perspective view thereof;

FIG. 9 is a front right perspective view thereof; and,

FIG. 10 is a rear right perspective view thereof.

The broken lines shown in the views are to show portions of the utility vehicle that form no part of the claimed design.

**1 Claim, 10 Drawing Sheets**

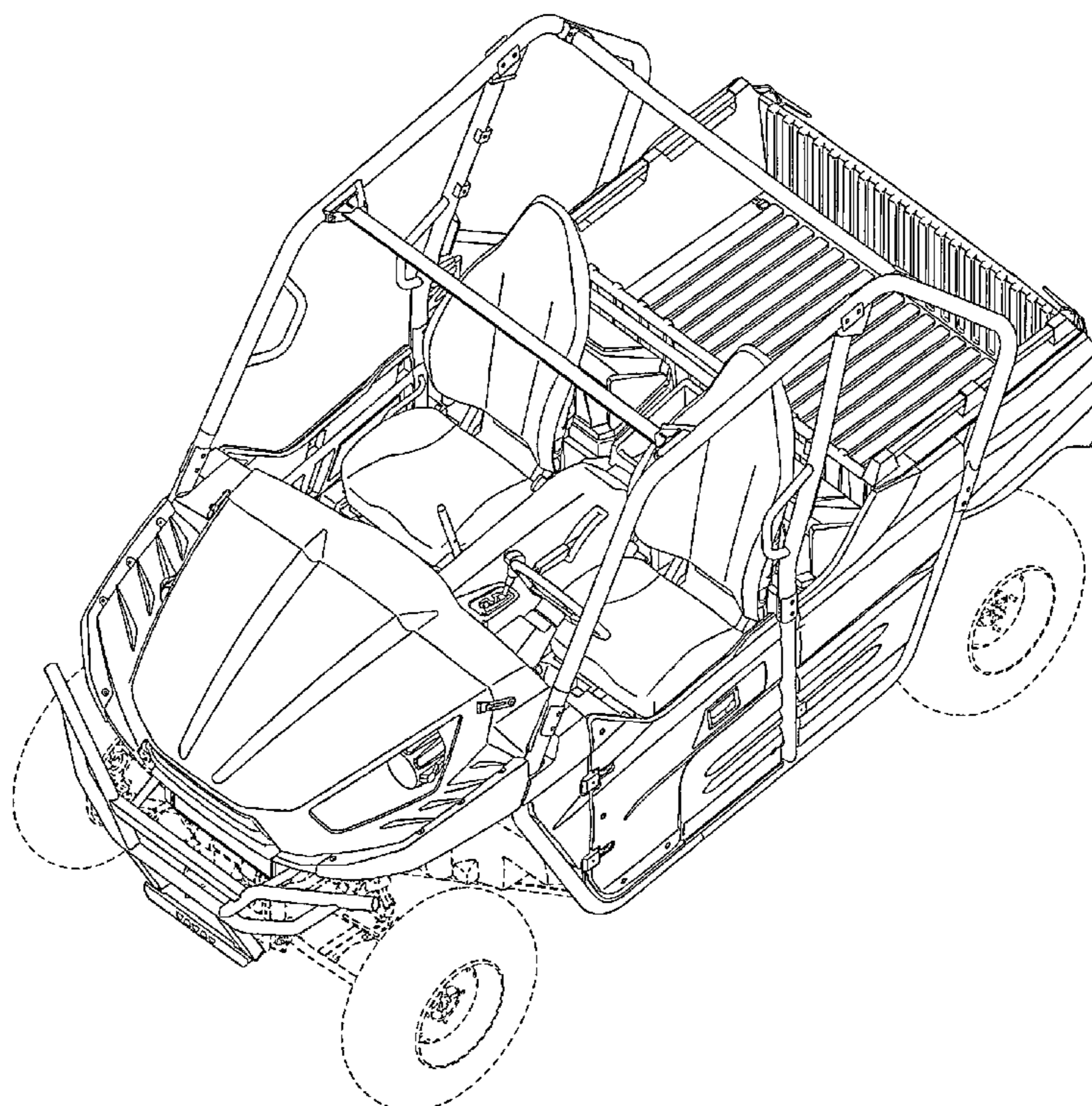


Fig. 1

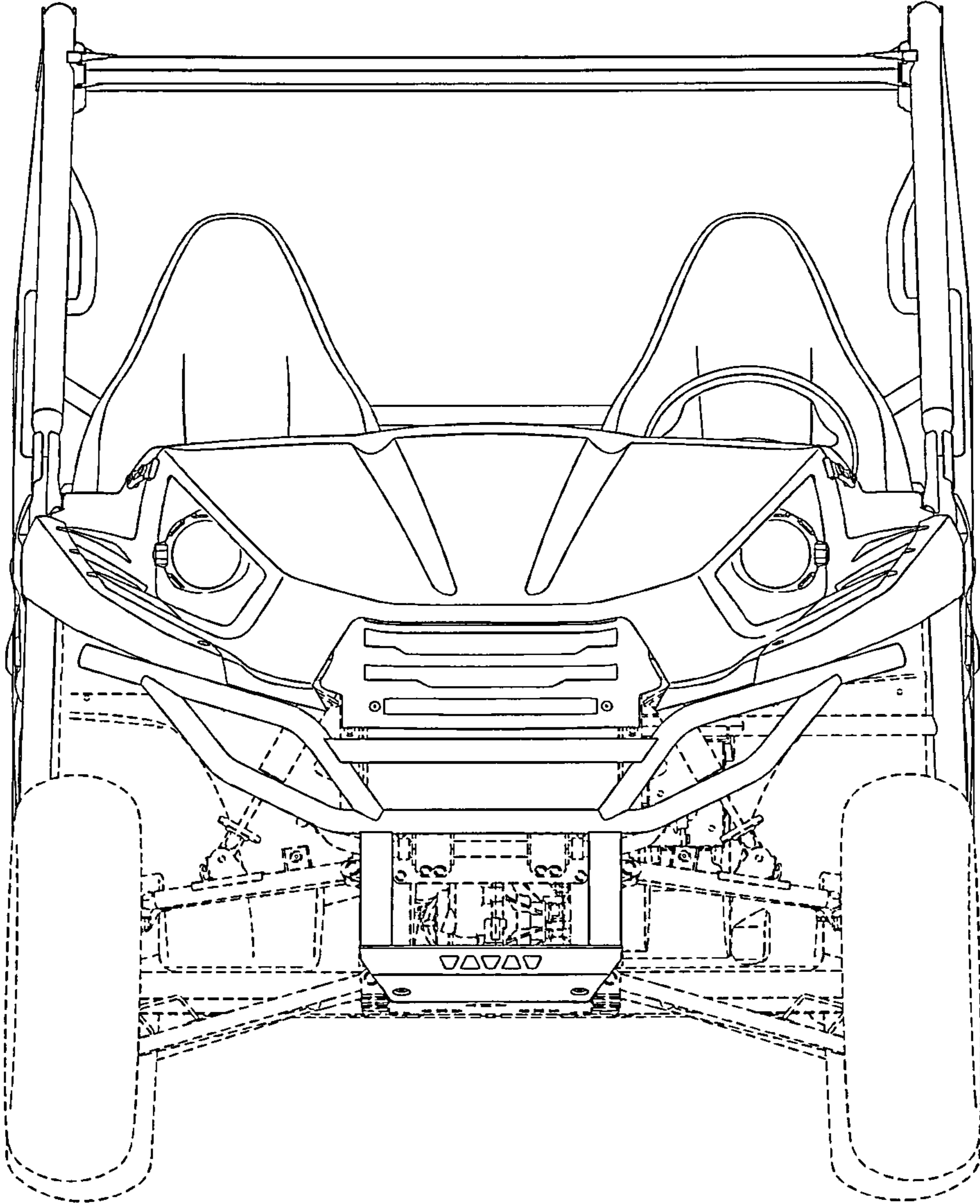
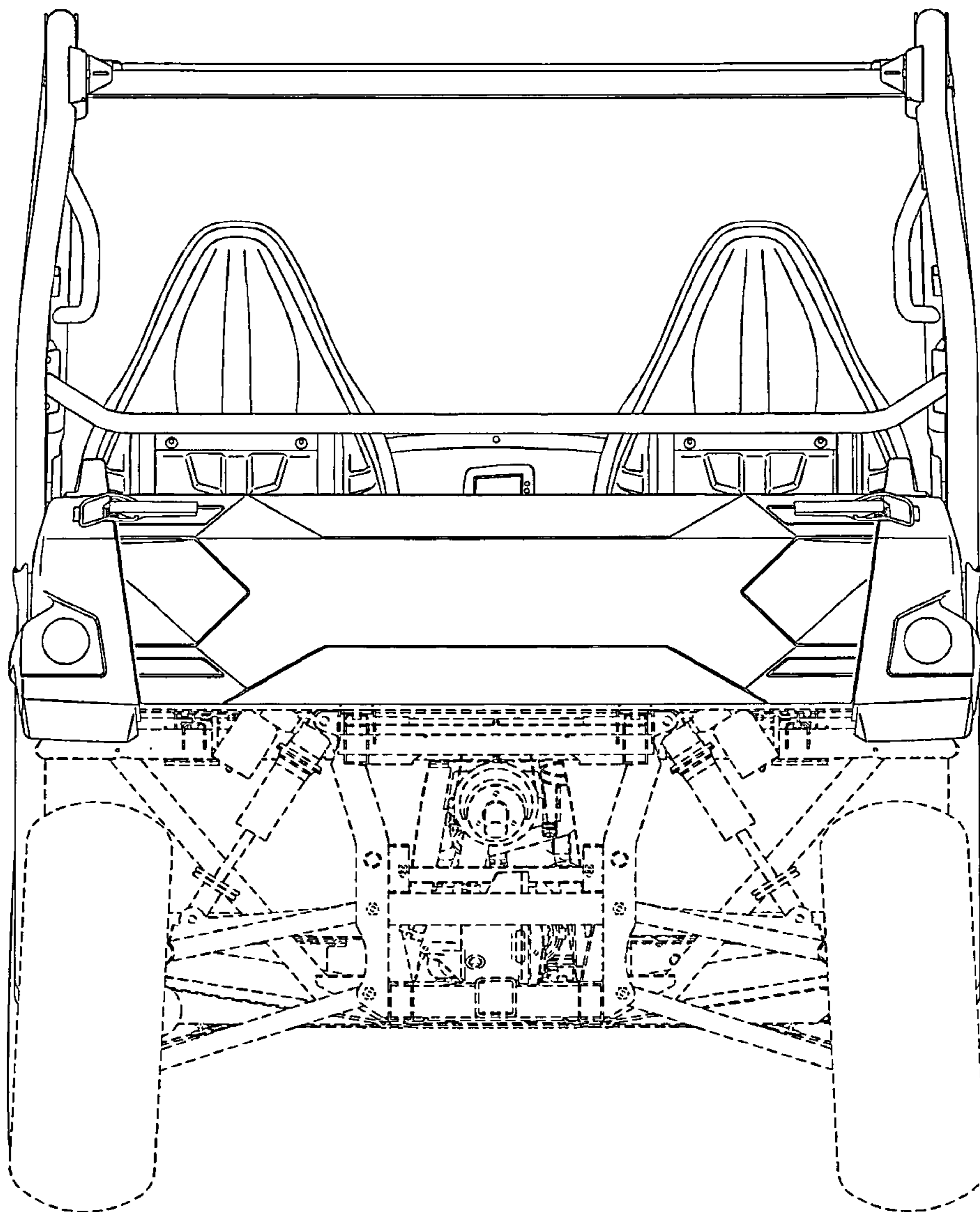


Fig. 2



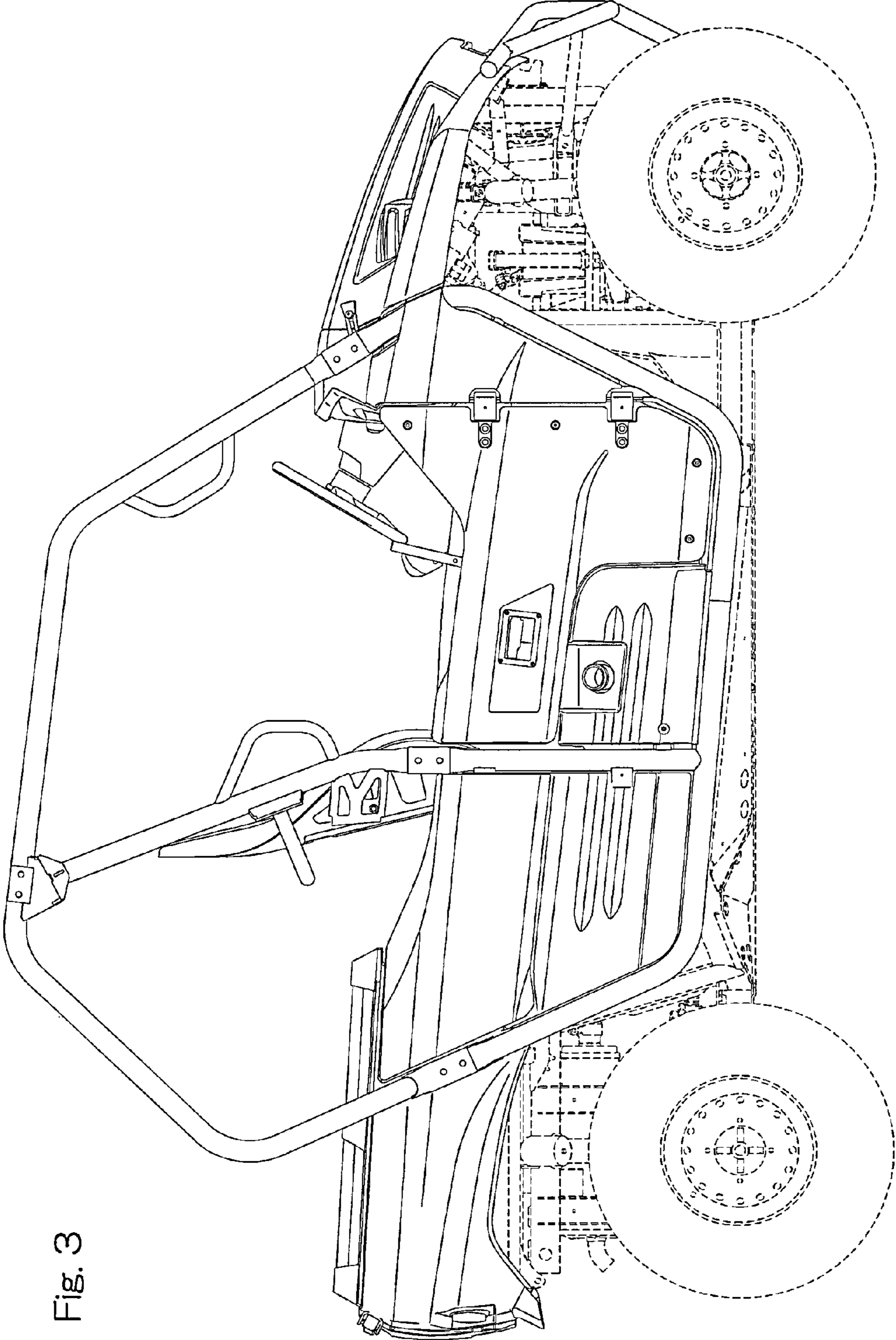


Fig. 3

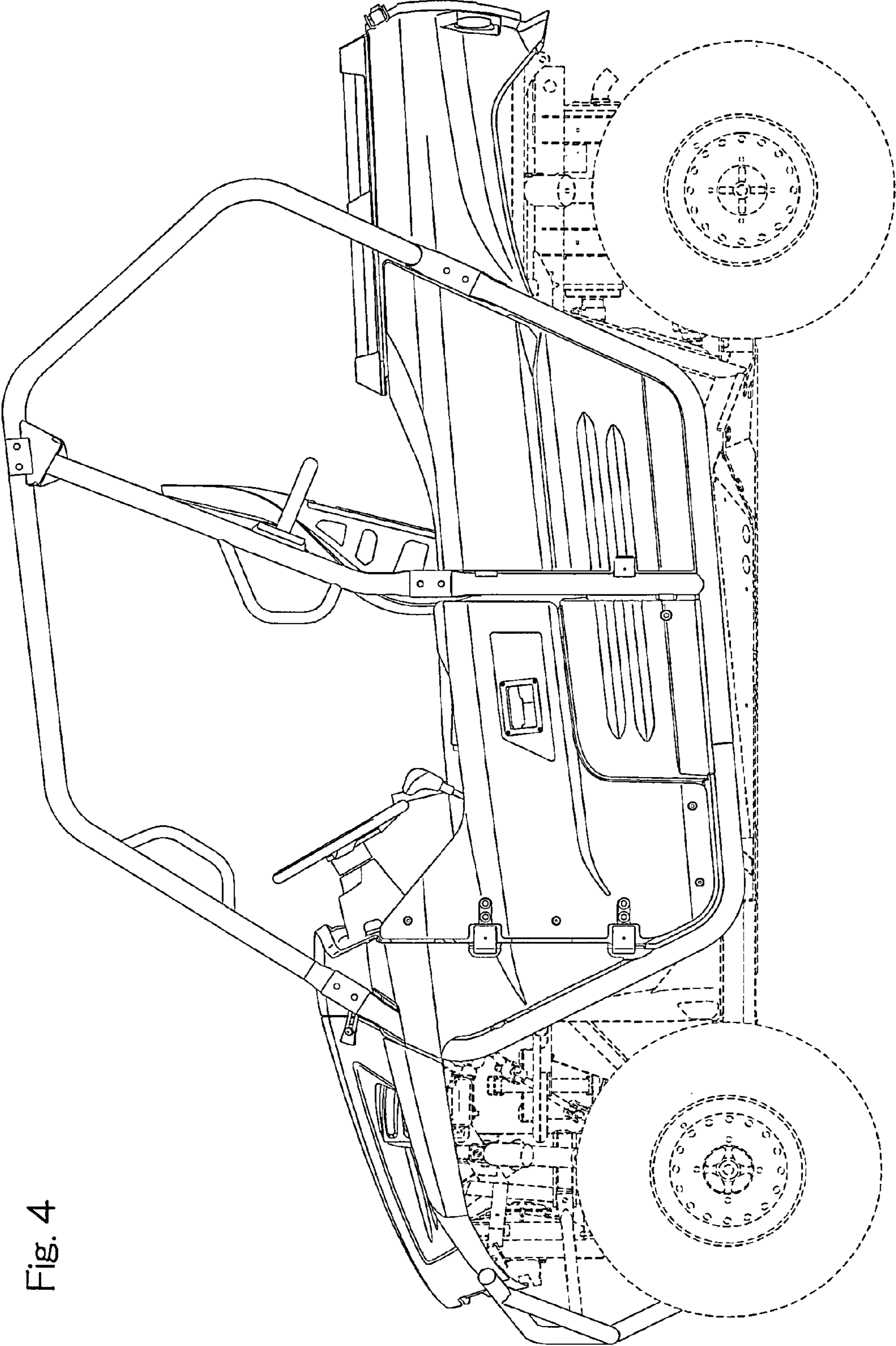


Fig. 4

Fig. 5

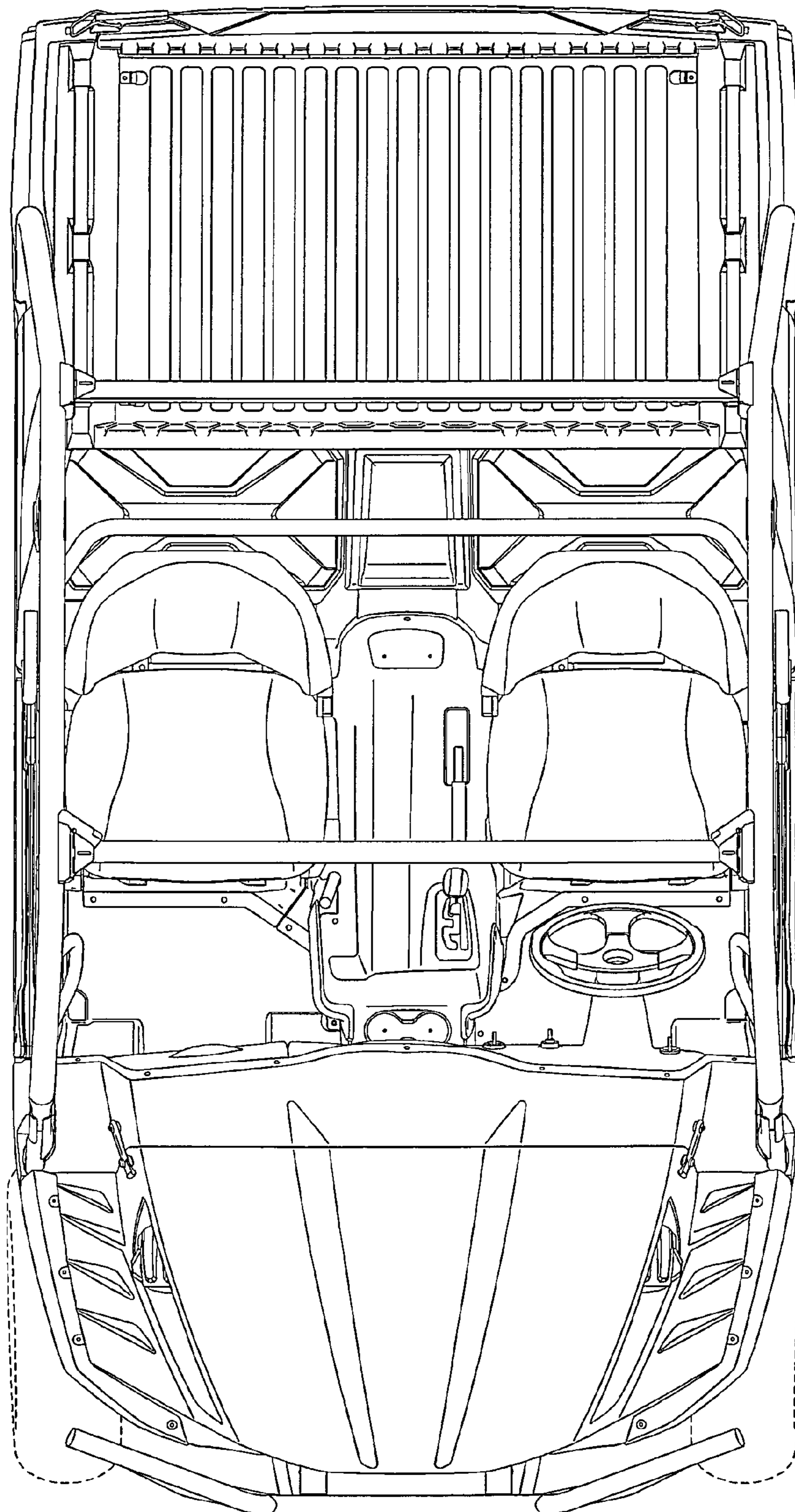
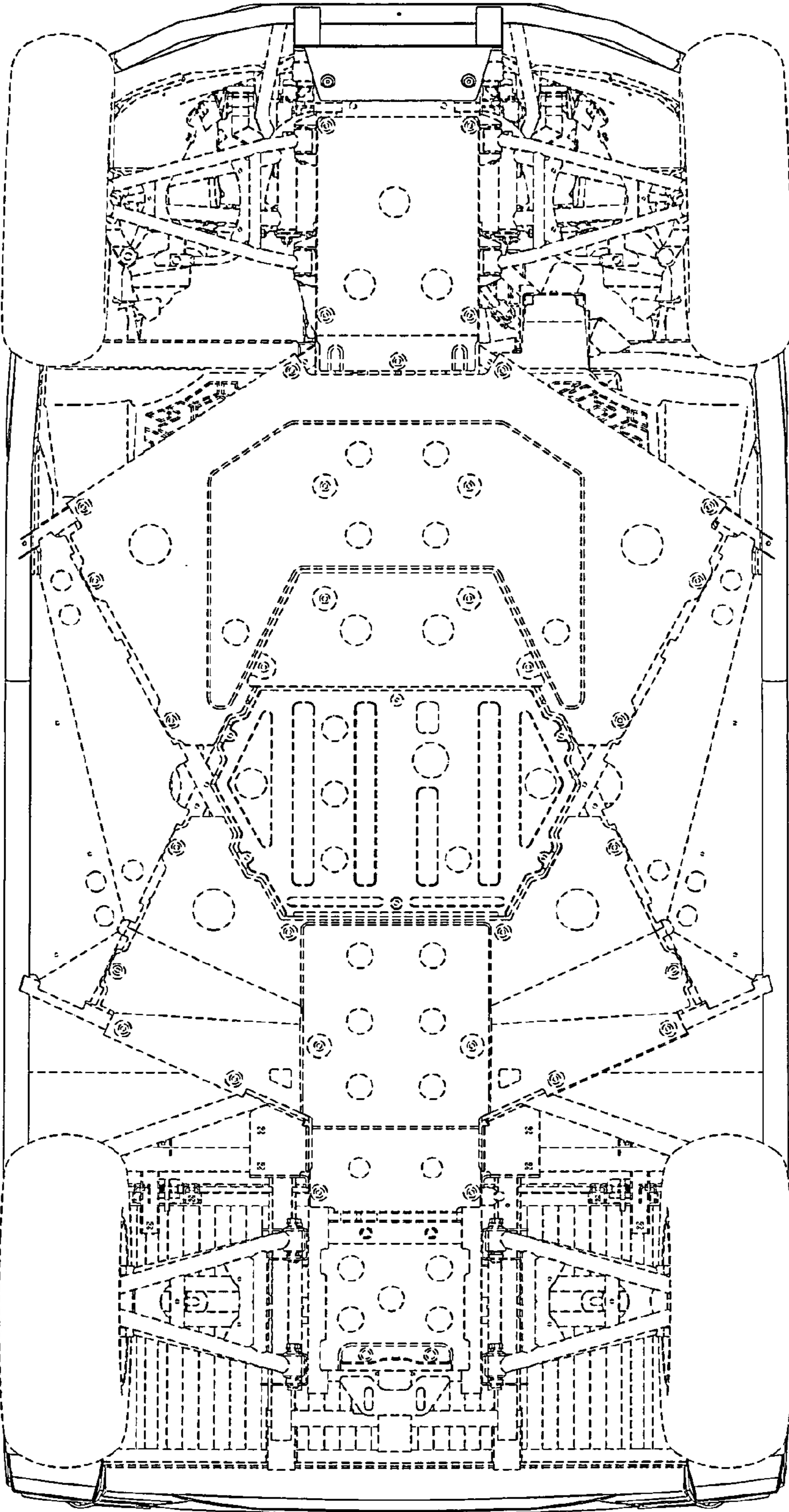


Fig. 6



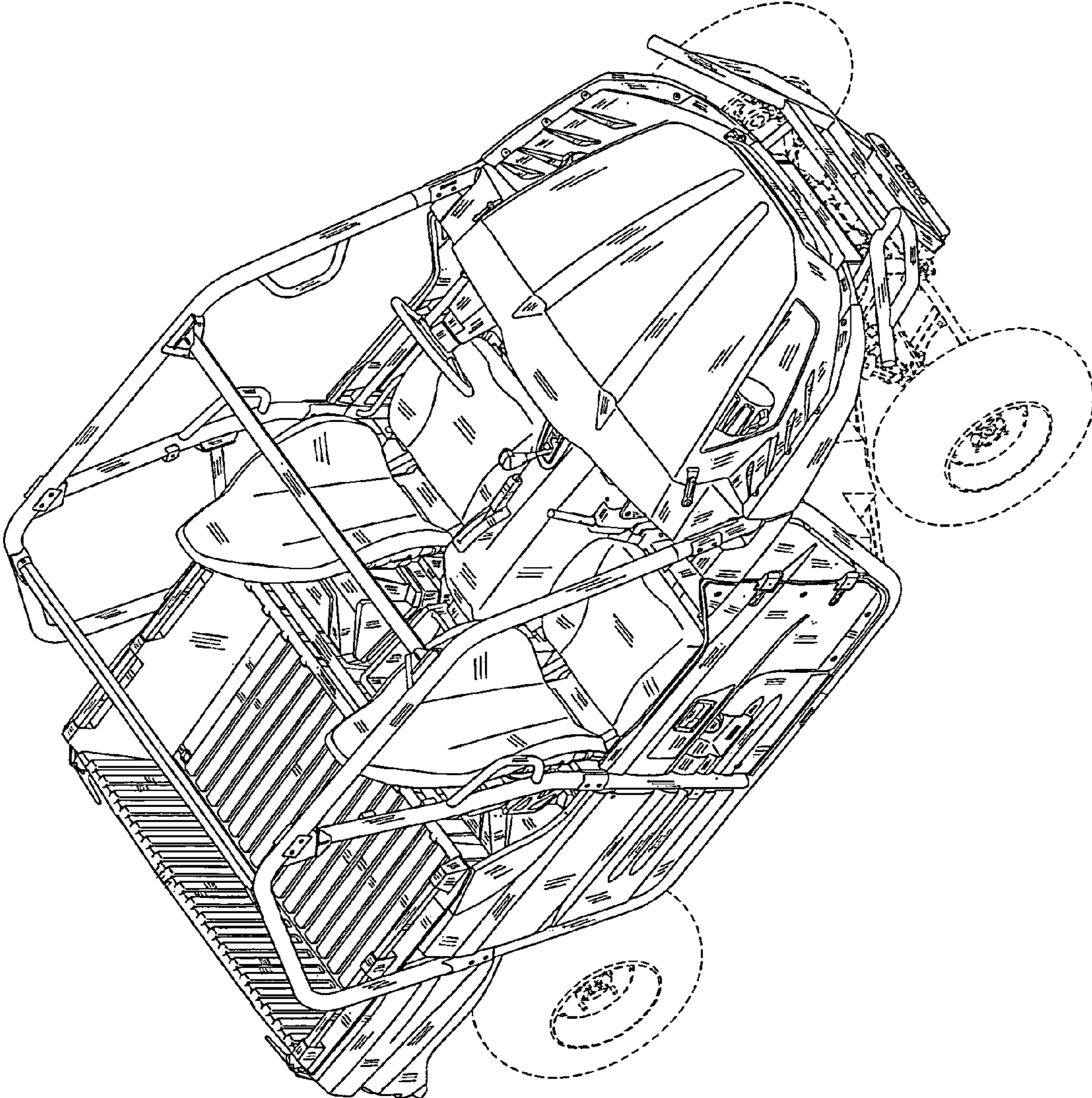


Fig. 7



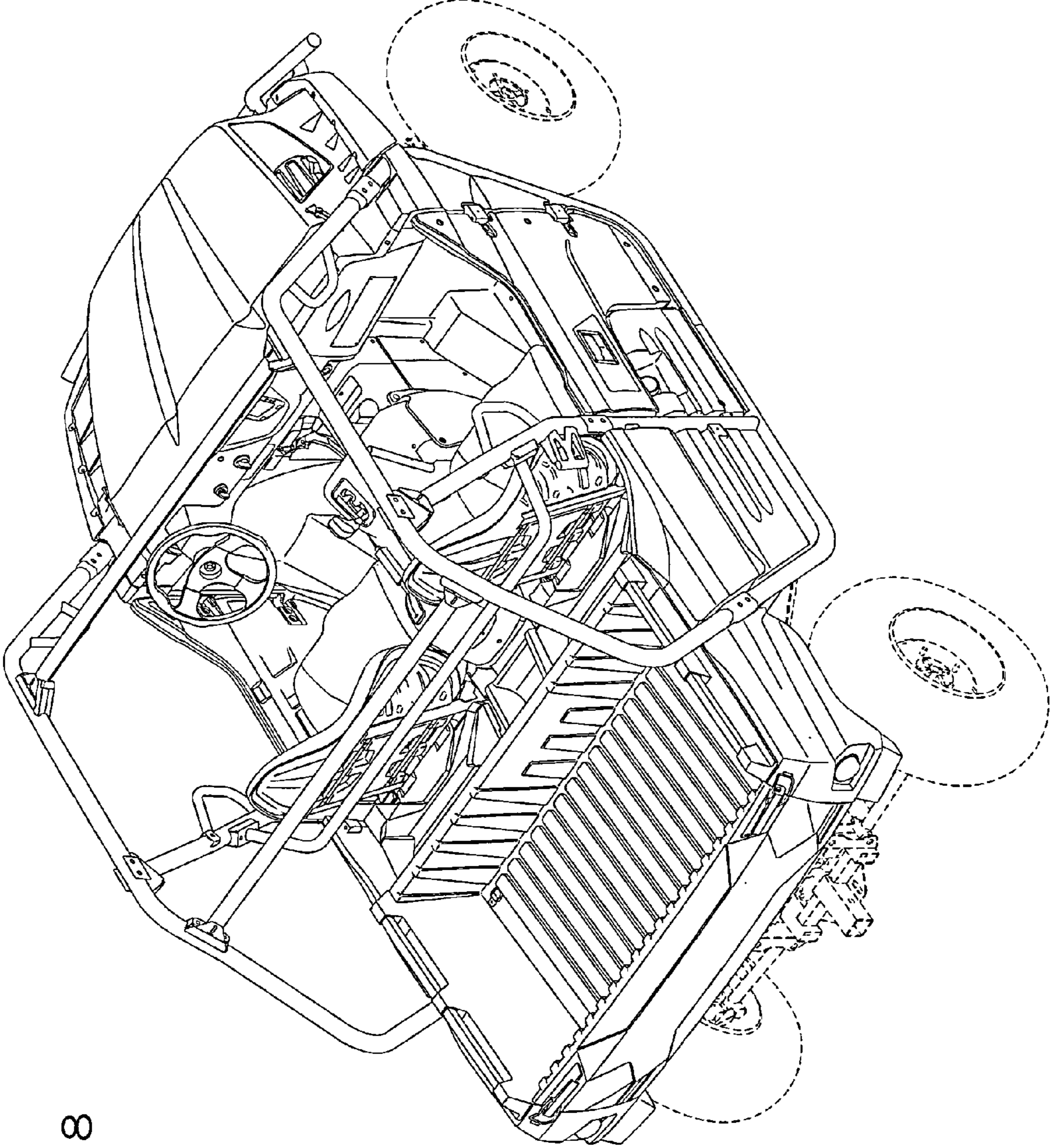


Fig. 8

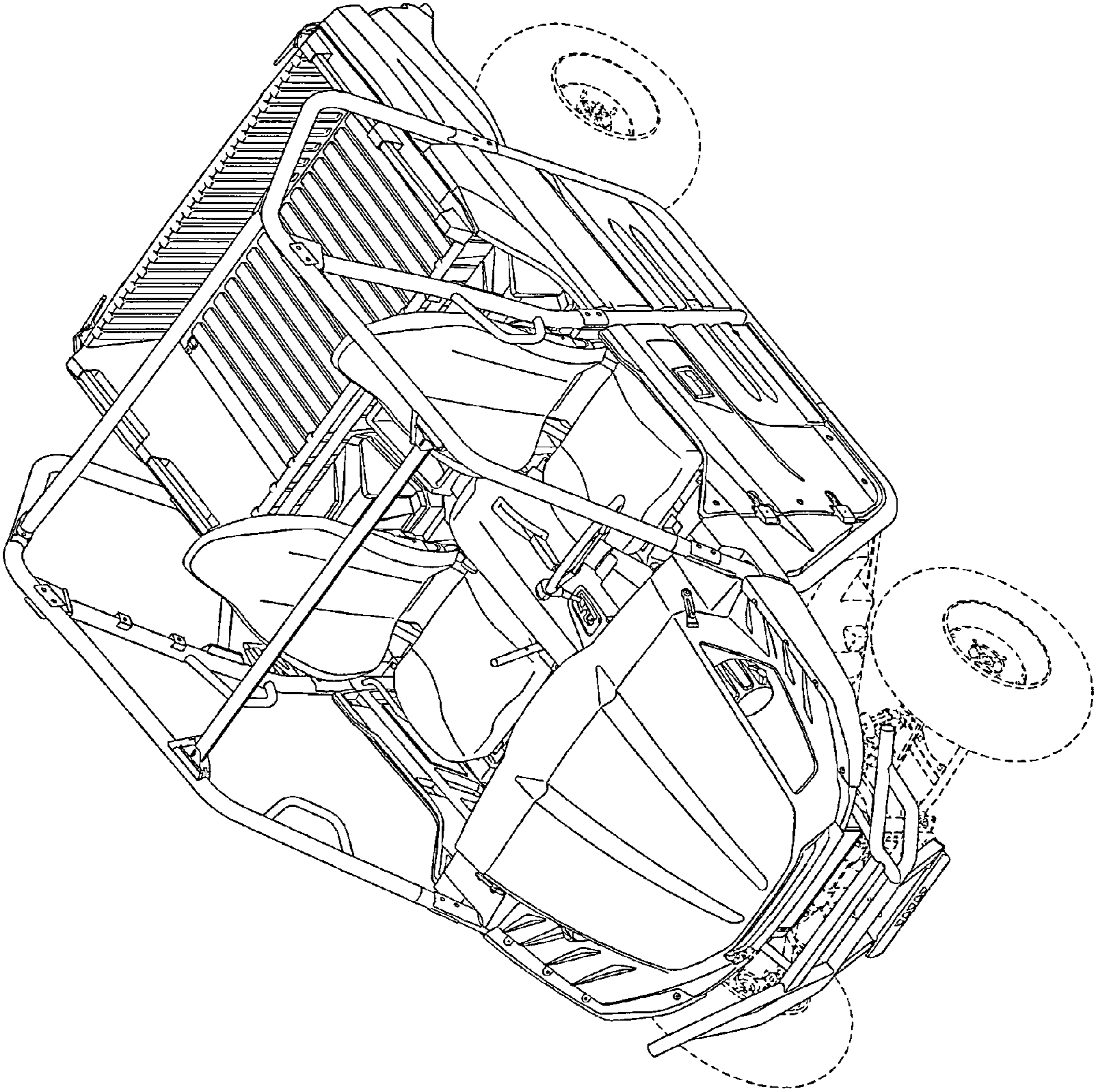


Fig. 9

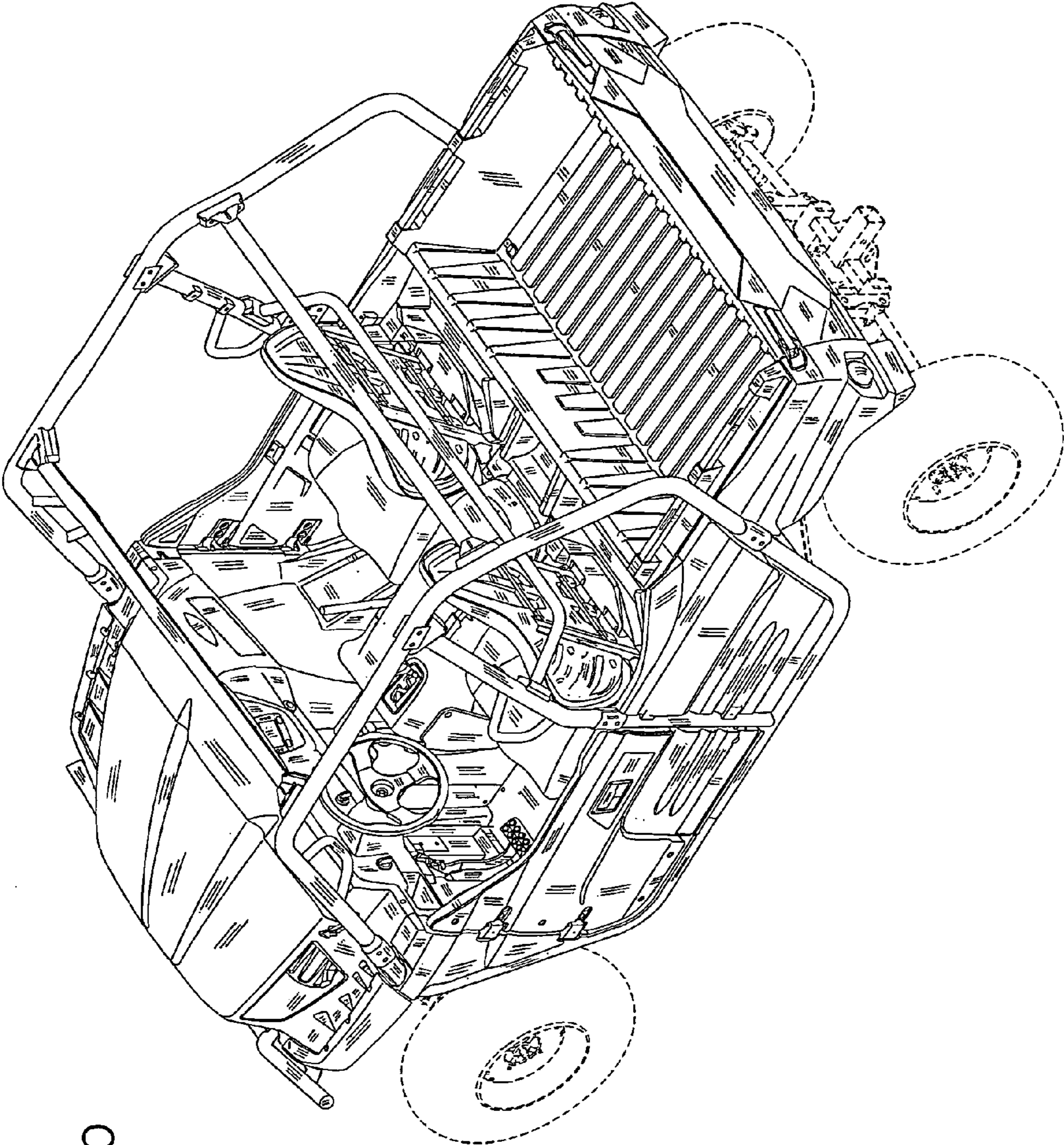


Fig. 10