



US00D717694S

(12) **United States Design Patent**
Bevilacqua et al.

(10) **Patent No.:** **US D717,694 S**

(45) **Date of Patent:** **** Nov. 18, 2014**

(54) **RELEASE MECHANISM FOR A BUCKLE ASSEMBLY**

3,884,436 A	5/1975	Poehlmann
3,954,234 A	5/1976	Frost et al.
4,028,948 A	6/1977	Frost et al.
4,042,194 A	8/1977	Frost et al.
4,679,282 A	7/1987	Feng
4,795,385 A	1/1989	Matsuoka
4,914,790 A	4/1990	Foubert

(71) Applicants: **National Molding, LLC**, Miami Lakes, FL (US); **Grand Rapids Control Co., LLC**, Rockford, MI (US)

(Continued)

(72) Inventors: **Miguel Bevilacqua**, East Meadow, NY (US); **James Rittenhouse**, Miami Lakes, FL (US); **Christopher G. Inman**, Trufant, MI (US); **David F. Bach**, Rockford, MI (US)

FOREIGN PATENT DOCUMENTS

DE	1 849 648 U	4/1962
DE	10 2007 058 124 A1	6/2009
WO	2008/094280 A2	8/2008
WO	2009/047790 A2	4/2009

(73) Assignees: **National Molding, LLC**, Miami Lakes, FL (US); **Grand Rapids Control Co., LLC**, Rockford, MI (US)

OTHER PUBLICATIONS

European Search Report in European Application No. 10163092.9, dated Aug. 20, 2010, with English translation of relevant parts.

(**) Term: **14 Years**

Primary Examiner — Ralf Seifert

(21) Appl. No.: **29/466,204**

(74) *Attorney, Agent, or Firm* — Collard & Roe, P.C.

(22) Filed: **Sep. 5, 2013**

(51) **LOC (10) Cl.** **02-07**

(52) **U.S. Cl.**
USPC **D11/216**

(58) **Field of Classification Search**
CPC F16B 21/00; A44B 11/26; A41D 1/04;
F45F 5/00; F16C 1/12
USPC D11/1, 2, 200–219, 222–237; 24/163 R,
24/169–171, 173, 177–179, 191, 194–195,
24/197, 200, 614–616, 625, 603, 634
See application file for complete search history.

(57) **CLAIM**

The ornamental design for a release mechanism for a buckle assembly, as shown and described.

DESCRIPTION

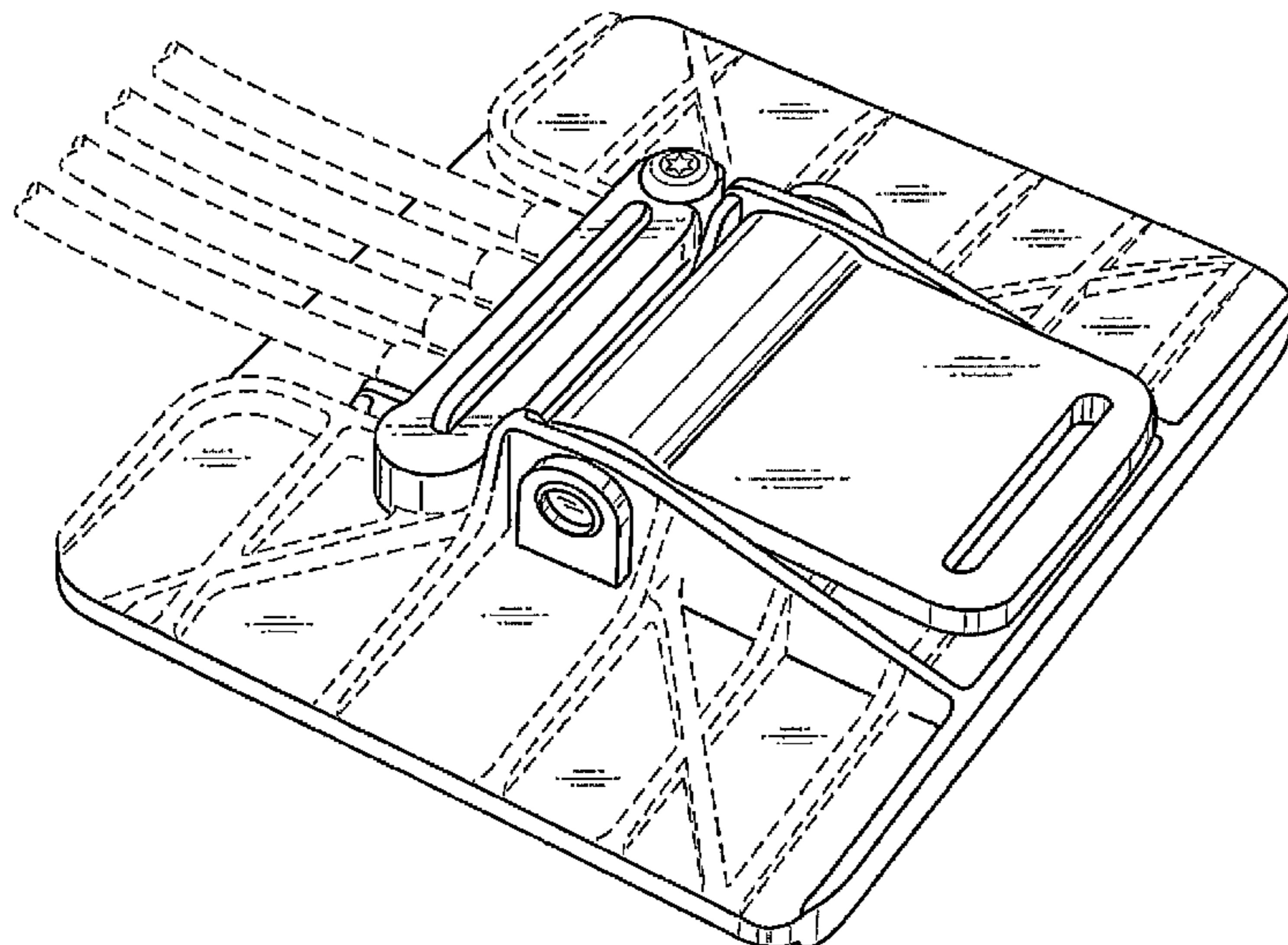
FIG. 1 shows a top, front and left side view of our design for a release mechanism for a buckle assembly;
FIG. 2 is a top view thereof;
FIG. 3 is a front view thereof;
FIG. 4 is a left side view thereof;
FIG. 5 is a rear view thereof;
FIG. 6 is a right side view thereof;
FIG. 7 is a right side view with the lever in a raised position;
and,
FIG. 8 is a bottom view thereof.
The features shown in broken lines show environmental structure only and form no part of the claimed design.

(56) **References Cited**

U.S. PATENT DOCUMENTS

2,078,651 A *	4/1937	Crocker, Jr.	24/180
2,986,362 A	5/1961	Gimalouski	
3,200,463 A	8/1965	Craven et al.	
3,658,281 A	4/1972	Gaylord	
3,767,143 A	10/1973	Gaylord	

1 Claim, 4 Drawing Sheets



(56)

References Cited

U.S. PATENT DOCUMENTS

5,275,437	A	1/1994	Modinger et al.	7,814,567	B2	10/2010	Dovner et al.
5,465,472	A	11/1995	Matoba	8,128,444	B2	3/2012	Hughes
5,561,891	A	10/1996	Hsieh	8,181,318	B2	5/2012	Anscher
D376,995	S *	12/1996	Veach et al. D11/216	8,196,273	B2	6/2012	Anscher
5,765,660	A	6/1998	Ambrosi	8,201,271	B2	6/2012	Dennis
5,832,573	A	11/1998	Howell	8,209,825	B2	7/2012	Carter
5,893,199	A	4/1999	Anscher	8,240,012	B2	8/2012	Walega et al.
6,185,794	B1	2/2001	Maggi	8,375,530	B2	2/2013	Walega et al.
6,463,640	B1	10/2002	Toth	8,464,407	B2	6/2013	Von Der Ahe et al.
6,487,761	B2	12/2002	Van Tassel	8,490,256	B2 *	7/2013	Carter et al. 24/603
6,678,925	B1	1/2004	Howell	8,499,362	B2	8/2013	Dennis
6,769,137	B2	8/2004	D'Annunzio	8,522,410	B2	9/2013	Parisi et al.
7,047,570	B2	5/2006	Johnson	2002/0092140	A1	7/2002	Van Tassel
7,073,234	B2	7/2006	Turpin	2010/0043112	A1	2/2010	Khandelwal
7,096,545	B2	8/2006	Uehara et al.	2010/0313327	A1	12/2010	Anscher
7,107,657	B1	9/2006	Howell	2010/0313392	A1	12/2010	Anscher
7,155,786	B2	1/2007	Grimm	2011/0072546	A1	3/2011	Taylor et al.
7,207,522	B2	4/2007	Parrott et al.	2011/0099776	A1	5/2011	Anscher
7,243,376	B2	7/2007	Johnson	2011/0113520	A1	5/2011	Dennis
D559,146	S *	1/2008	Kawaguchi D11/216	2011/0126387	A1	6/2011	Carter et al.
D567,709	S *	4/2008	Cho D11/216	2011/0127307	A1	6/2011	Carter et al.
D577,631	S *	9/2008	Kawaguchi D11/216	2011/0239419	A1	10/2011	Carter
7,424,748	B1	9/2008	McDunn et al.	2011/0247180	A1	10/2011	Duong et al.
7,448,116	B1	11/2008	Howell	2012/0030852	A1	2/2012	Anscher
D600,591	S *	9/2009	Kosh et al. D11/216	2012/0054993	A1	3/2012	Anscher
				2012/0279028	A1	11/2012	Walega et al.
				2012/0297527	A1	11/2012	Darnell et al.
				2012/0304355	A1	12/2012	Dennis

* cited by examiner

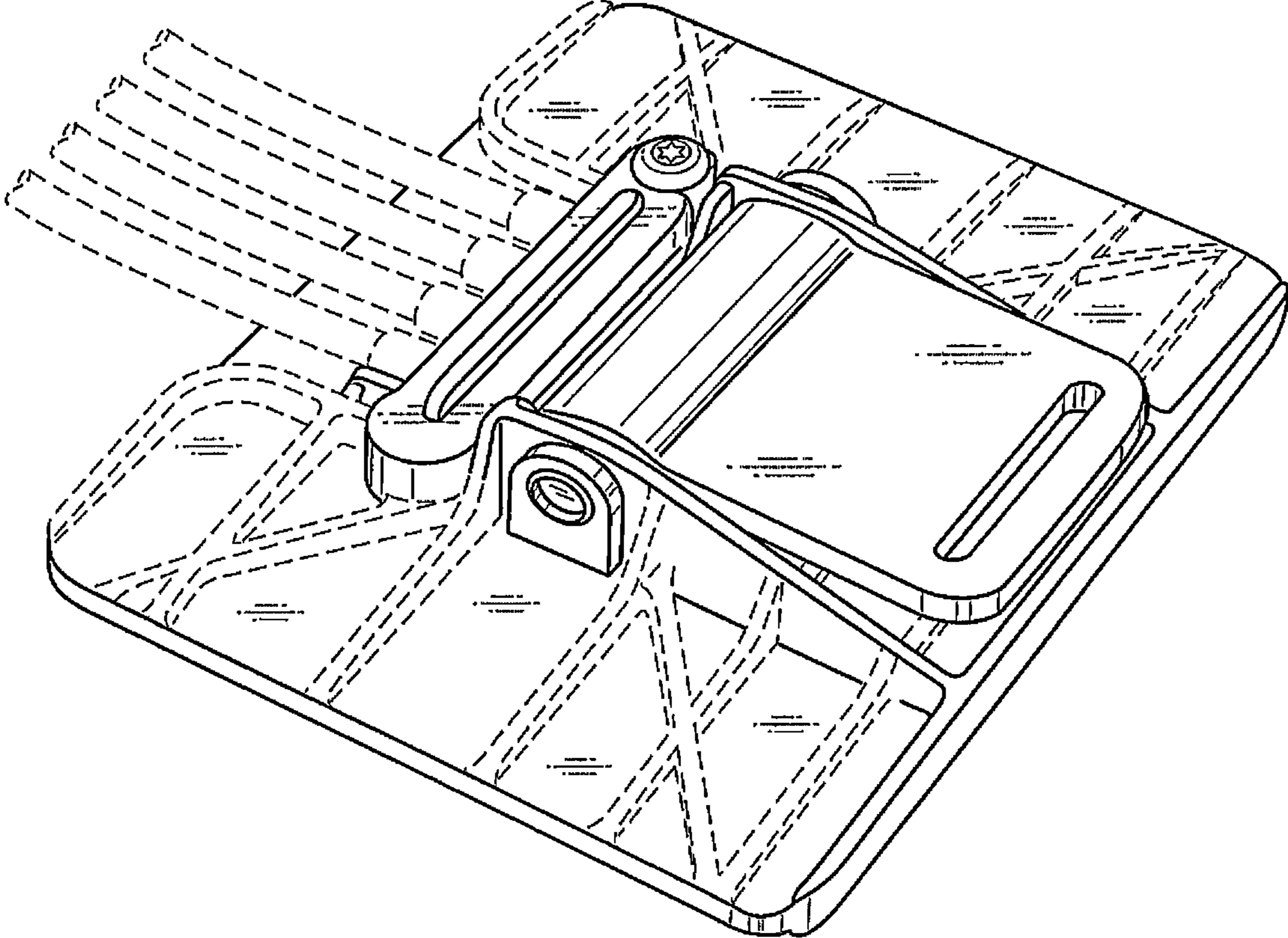


FIG. 1

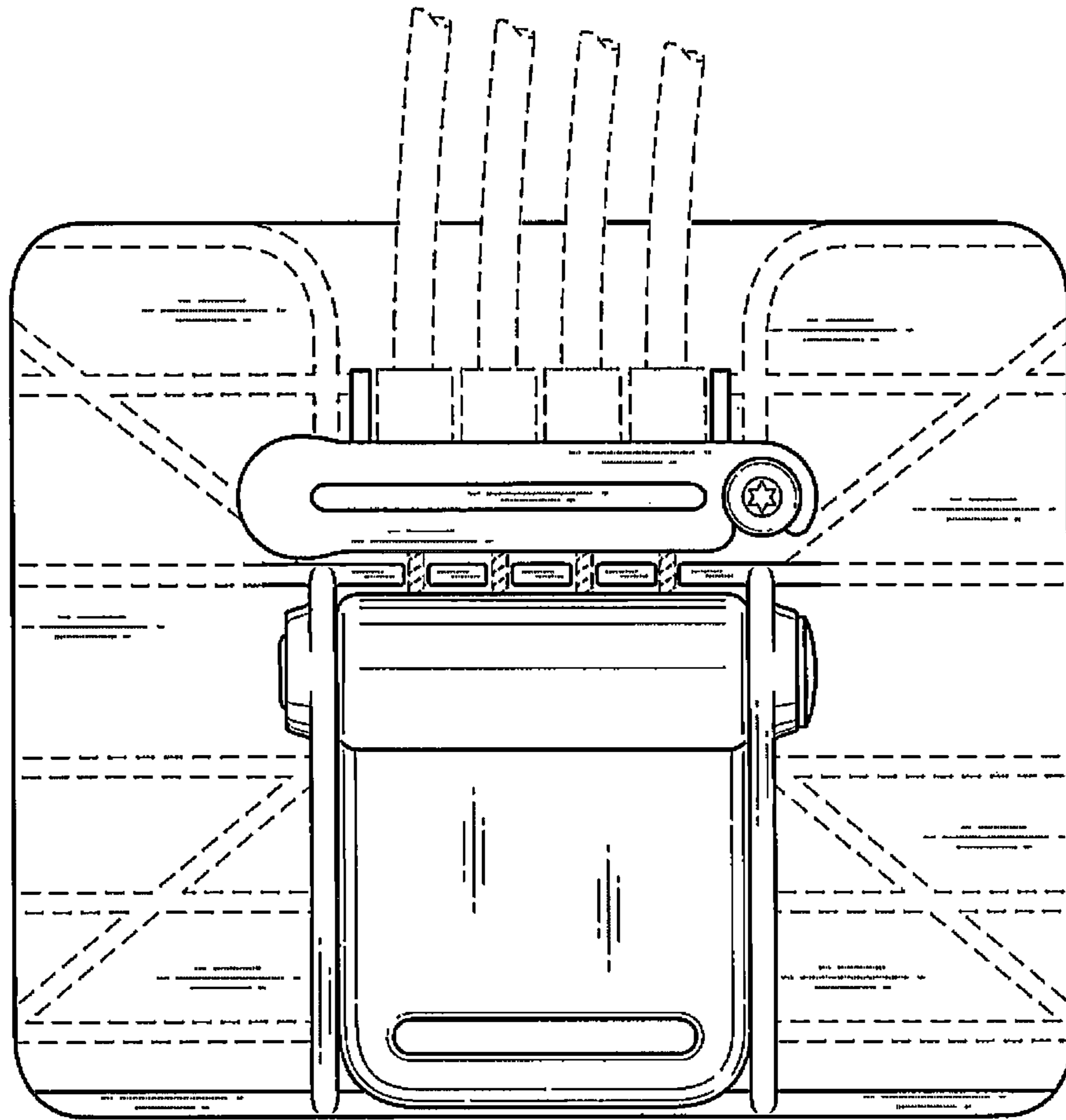


FIG. 2

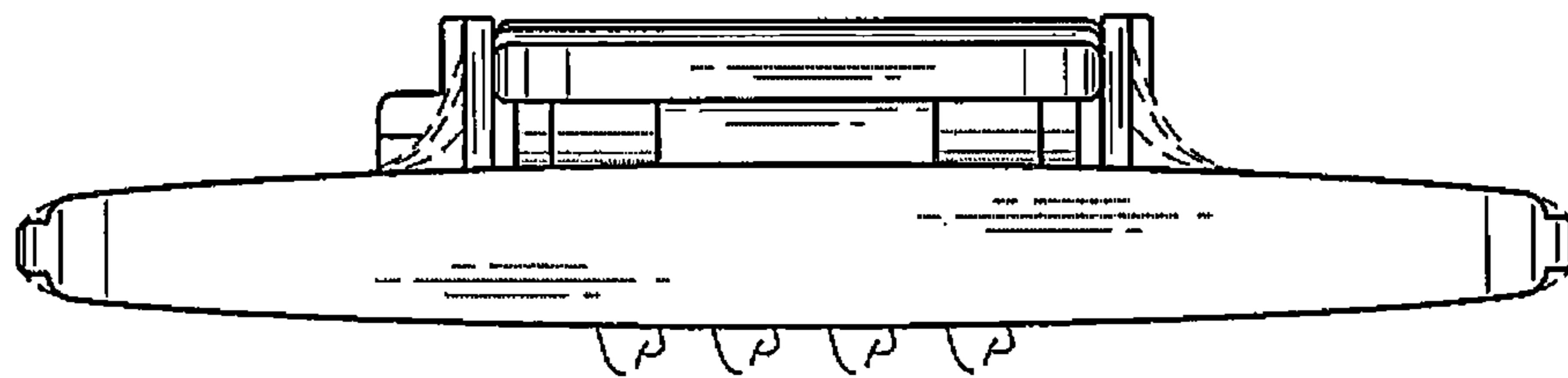


FIG. 3

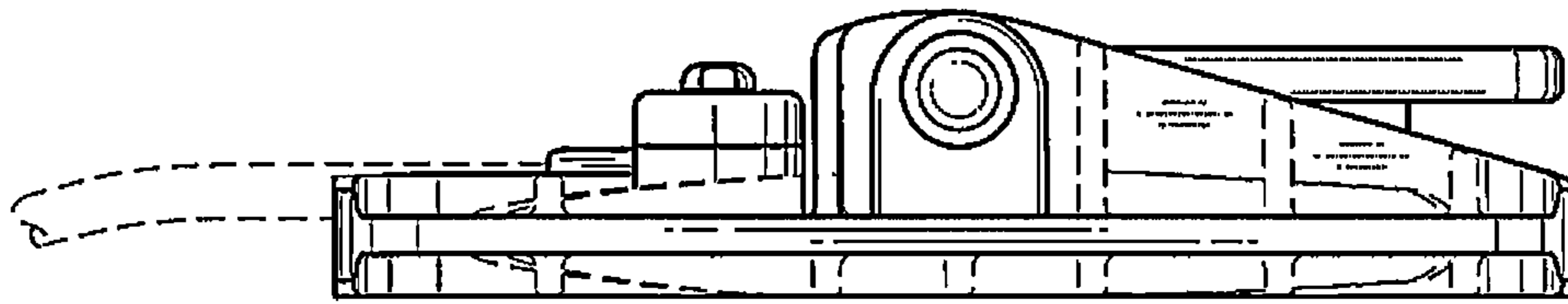


FIG. 4

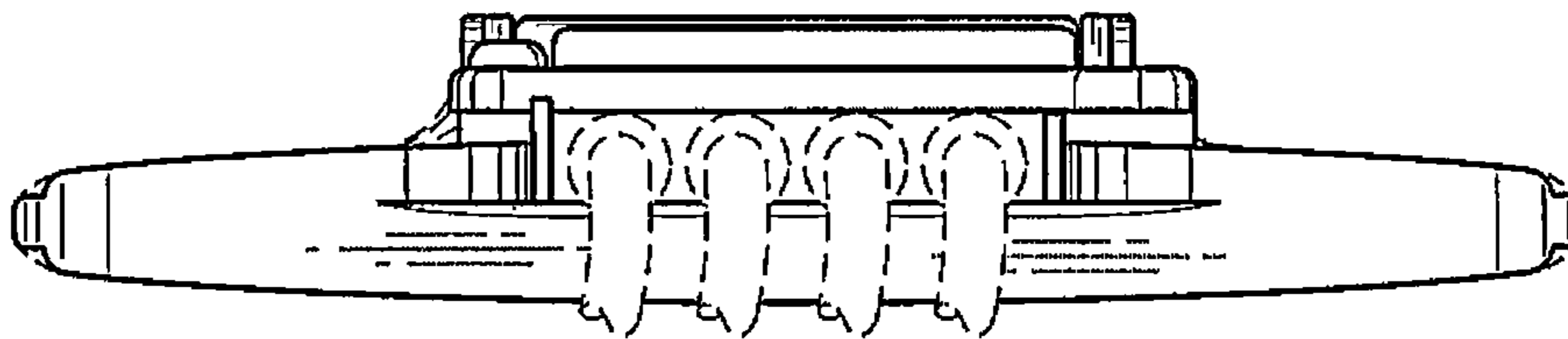


FIG. 5

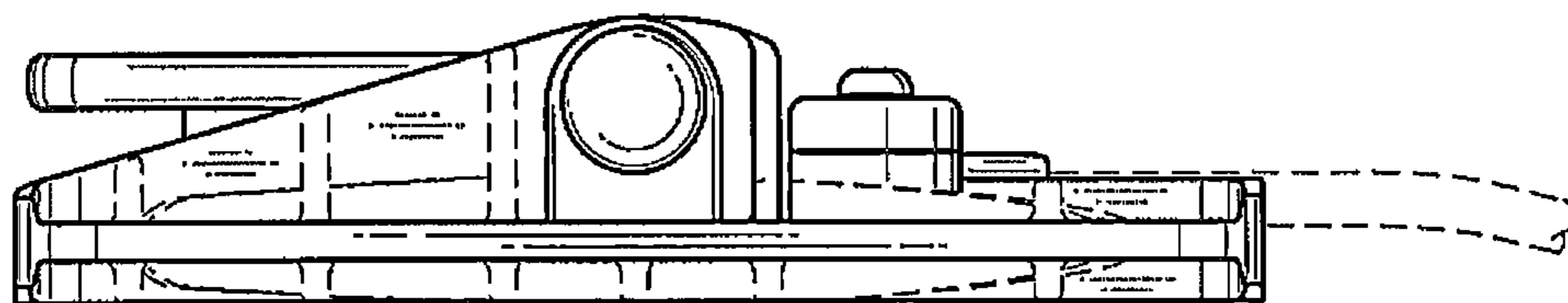


FIG. 6

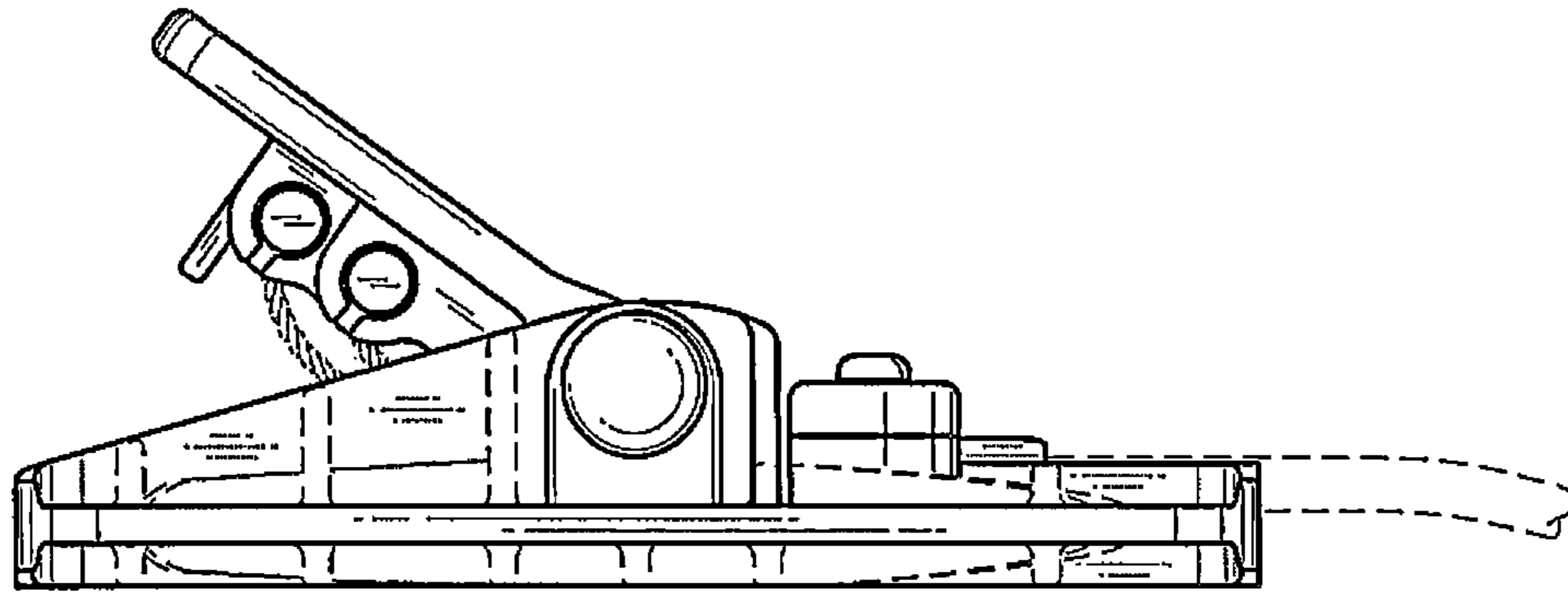


FIG. 7

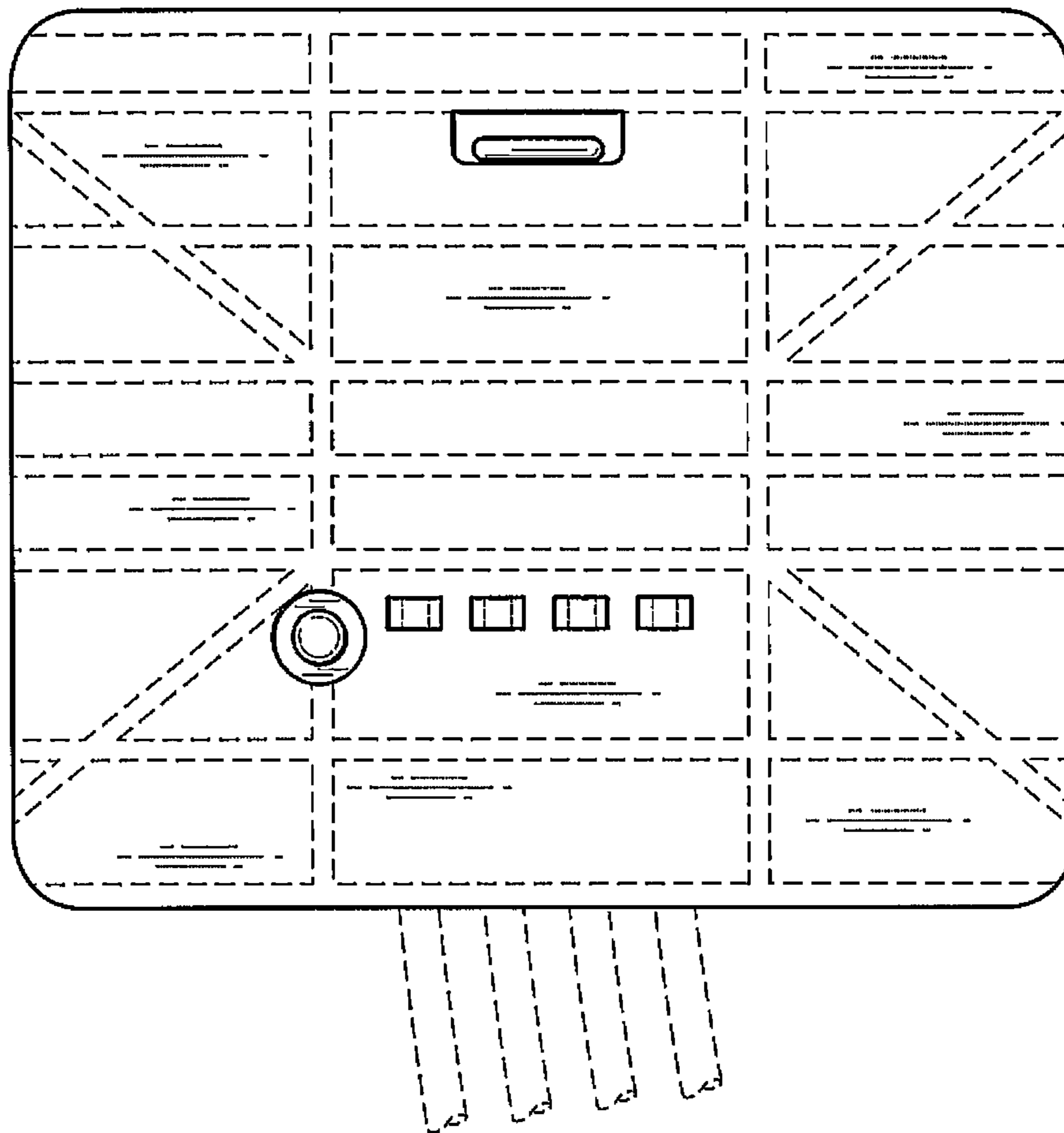


FIG. 8