



US00D717692S

(12) **United States Design Patent**
Breen et al.

(10) **Patent No.:** **US D717,692 S**
(45) **Date of Patent:** **** Nov. 18, 2014**

- (54) **PINNY CLIP**
- (71) Applicants: **Angeli Alino Breen**, Summit, NJ (US);
Griffin Michael Breen, Summit, NJ (US); **Noah Frederick Breen**, Summit, NJ (US)
- (72) Inventors: **Angeli Alino Breen**, Summit, NJ (US);
Griffin Michael Breen, Summit, NJ (US); **Noah Frederick Breen**, Summit, NJ (US)
- (**) Term: **14 Years**
- (21) Appl. No.: **29/449,299**
- (22) Filed: **Mar. 14, 2013**
- (51) **LOC (10) Cl.** **02-07**
- (52) **U.S. Cl.**
USPC **D11/210**
- (58) **Field of Classification Search**
CPC A44B 3/12; A44B 6/00; A44B 11/00
USPC D11/1-2, 200-201, 206-210, 214-218,
D11/79, 87; 24/163 R, 169-171, 173,
24/177-179, 191, 194-195, 197, 200,
24/614-616, 625, 198, 578.11, 578.1,
24/163 K, 114, 455, 573.11, 598.2, 485;
D8/394, 395; 2/154, 238
See application file for complete search history.

- 2,941,213 A * 6/1960 Eliasberg 2/154
- D243,062 S * 1/1977 Malloy D8/382
- D292,385 S * 10/1987 Udelhofen D11/210
- 5,964,642 A * 10/1999 Fildan 450/86
- D572,626 S * 7/2008 Merriam-Smith D11/200
- 7,410,407 B2 8/2008 Krammel
- D583,706 S * 12/2008 Gilbert D11/210
- D665,292 S * 8/2012 Jackson D11/1
- D681,921 S * 5/2013 Franklin D2/859
- D681,922 S * 5/2013 Franklin D2/859

OTHER PUBLICATIONS

Lane Bryant, Product Reviews Racer Back Bra Clips, <http://reviews.lanebryant.com/6344/60928/reviews.htm>, May 23, 2010.
Lady Lostris Beauty, Review: Strap Perfect—The Ultimate Bra Strap Solution, <http://ladylostris.blogspot.com/2009/07/review-strap-perfect-ultimate-bra-strap.html>, Jul. 23, 2009.

* cited by examiner

Primary Examiner — Ralf Seifert

(74) *Attorney, Agent, or Firm* — Ward & Zinna, LLC

(57) **CLAIM**

The ornamental design for a pinny clip, as shown and described.

DESCRIPTION

FIG. 1 is an elevational front view of a pinny clip according to the present invention;
FIG. 2 is an elevational rear view thereof;
FIG. 3 is an elevational left side view thereof;
FIG. 4 is an elevational right side view thereof;
FIG. 5 is a plan top view thereof; and,
FIG. 6 is a plan bottom view thereof.

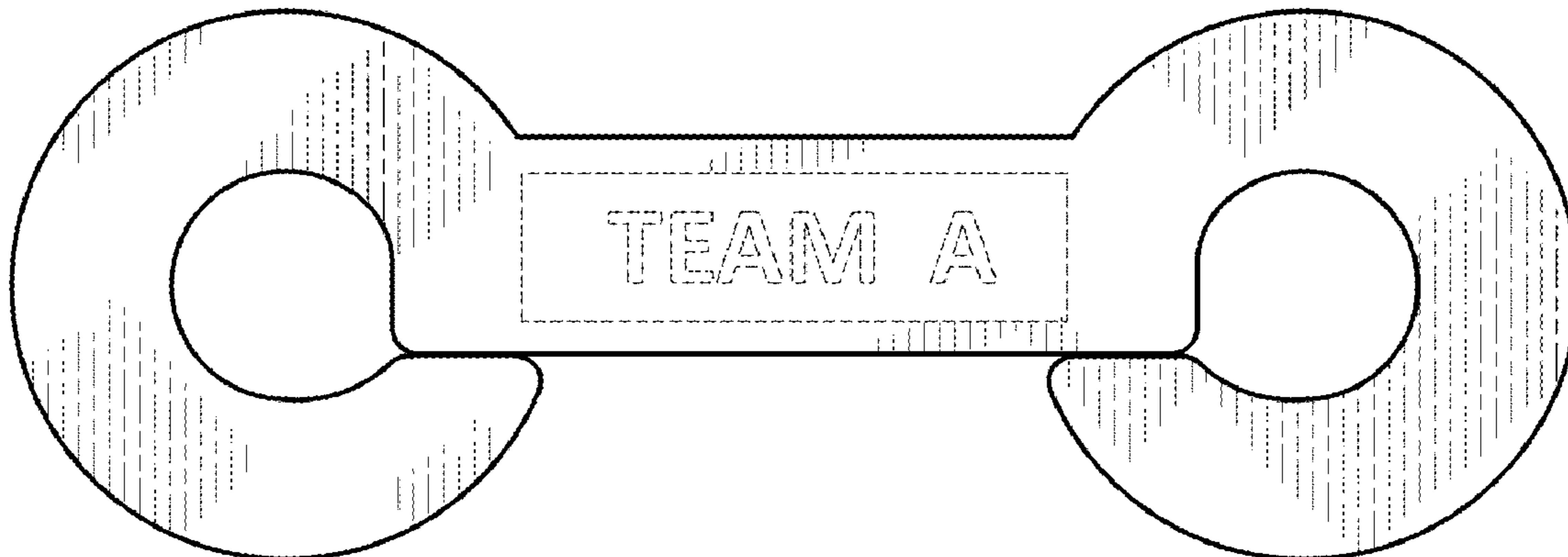
The broken lines showing in the figures are included for the purpose of illustrating environment of the design and form no part of the claimed invention.

1 Claim, 1 Drawing Sheet

(56) **References Cited**

U.S. PATENT DOCUMENTS

- 1,412,515 A * 4/1922 Edstrom 24/196
- D79,572 S * 10/1929 Riker D11/200
- 1,749,096 A * 3/1930 Baxter 24/376
- 2,147,264 A * 2/1939 Moore 24/564
- D116,276 S * 8/1939 Baer D11/218
- D127,740 S * 6/1941 Montmartin D11/202



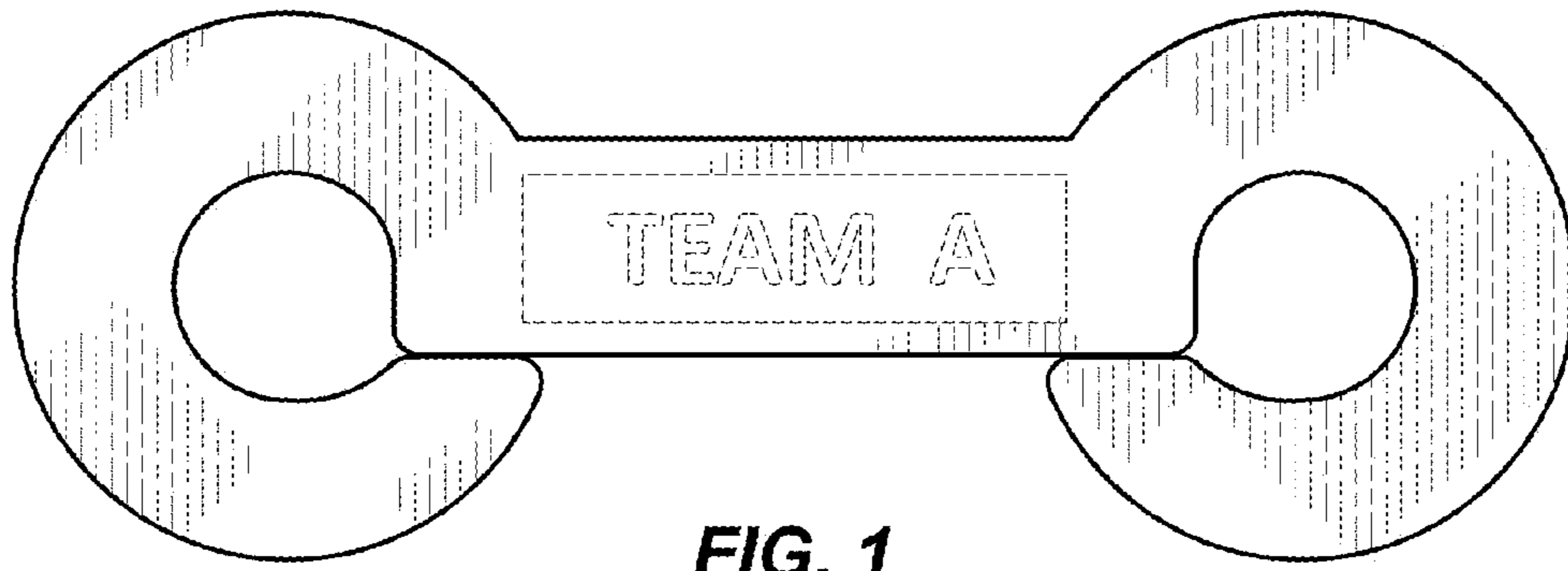


FIG. 1

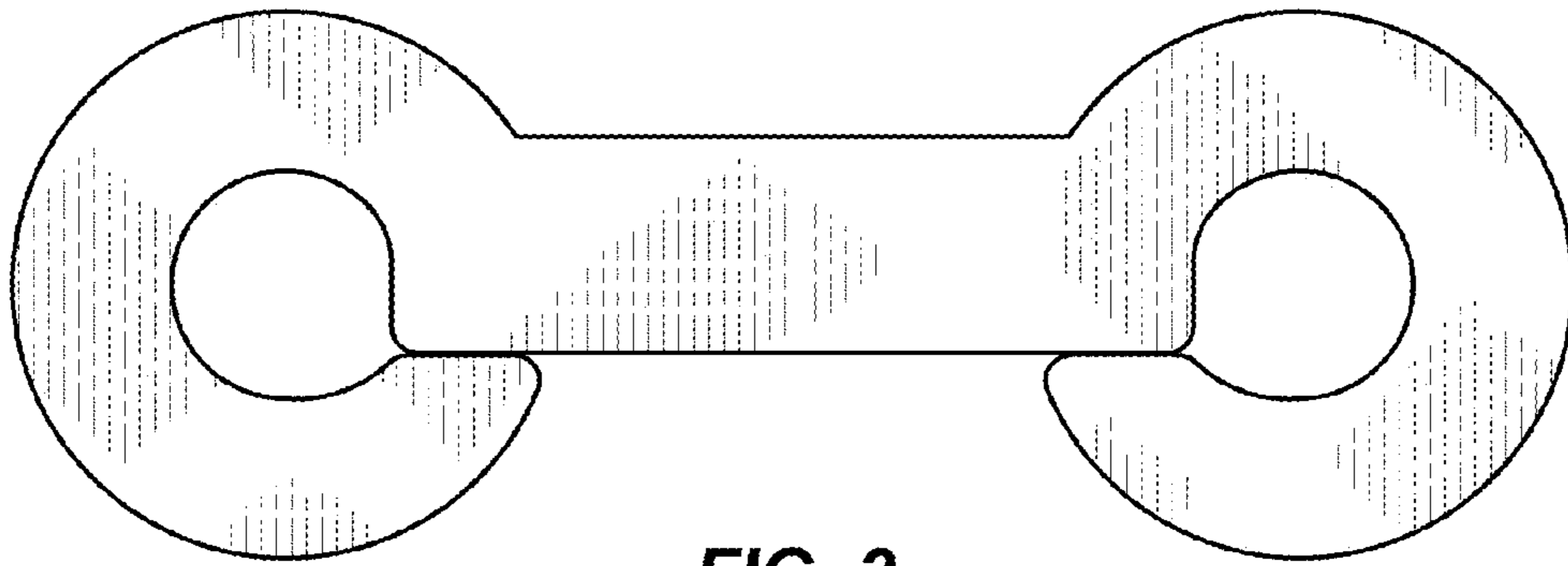


FIG. 2



FIG. 3



FIG. 4

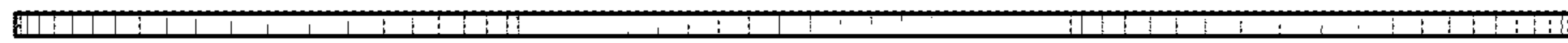


FIG. 5

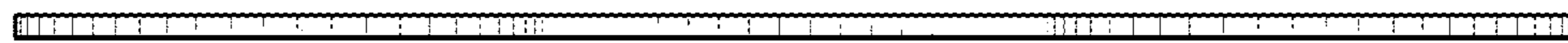


FIG. 6