



US00D717683S

(12) **United States Design Patent**
Grinberg

(10) **Patent No.:** **US D717,683 S**

(45) **Date of Patent:** **** Nov. 18, 2014**

(54) **WATCH COVER**

(75) **Inventor:** **Efraim Grinberg**, New York, NY (US)

(73) **Assignee:** **Movado LLC**, Wilmington, DE (US)

(**) **Term:** **14 Years**

(21) **Appl. No.:** **29/414,406**

(22) **Filed:** **Feb. 28, 2012**

(51) **LOC (10) Cl.** **10-07**

(52) **U.S. Cl.**

USPC **D10/132**

(58) **Field of Classification Search**

USPC D10/30-39, 122, 128, 132; 368/283,
368/286, 287, 288, 289, 290, 276, 281, 282

See application file for complete search history.

(56) **References Cited**

U.S. PATENT DOCUMENTS

626,703	A *	6/1899	Jordan	368/286
814,232	A *	3/1906	Pendlebury	368/286
1,264,650	A *	4/1918	Horcasitas	368/288
1,633,351	A *	6/1927	Sonnenthal	368/286
1,961,734	A	6/1934	Bieger		
1,986,328	A *	1/1935	Dreyfus	368/283
4,742,503	A *	5/1988	Braun et al.	368/282
4,835,750	A	5/1989	Quincey		
4,837,756	A *	6/1989	Hartman et al.	368/286
D312,980	S *	12/1990	Kawashima	D10/132
5,005,161	A *	4/1991	Boilen	368/295
5,034,932	A *	7/1991	Grosjean	368/286

(Continued)

OTHER PUBLICATIONS

iWatchz, iWatchz Carbon Collection, printed from iwatchz.com on Feb. 15, 2012.

(Continued)

Primary Examiner — Lucy Lieberman

(74) *Attorney, Agent, or Firm* — Fross Zelnick Lehrman & Zissu, P.C.; Charles T. L. Weigell, Esq.

(57) **CLAIM**

The ornamental design for a watch cover, as shown and described.

DESCRIPTION

FIG. 1 is a front perspective view of a watch cover showing my new design;

FIG. 2 is a front view of the watch cover shown in FIG. 1;

FIG. 3 is a rear view of the watch cover shown in FIG. 1;

FIG. 4 is a right side view of the watch cover shown in FIG. 1;

FIG. 5 is a left side view of the watch cover shown in FIG. 1;

FIG. 6 is a top view of the watch cover shown in FIG. 1;

FIG. 7 is a bottom view of the watch cover shown in FIG. 1;

FIG. 8 is a front perspective view of the watch cover shown in FIG. 1, shown on a watch;

FIG. 9 is a front view of the watch cover shown in FIG. 8;

FIG. 10 is a rear view of the watch cover shown in FIG. 8;

FIG. 11 is a right side view of the watch cover shown in FIG. 8;

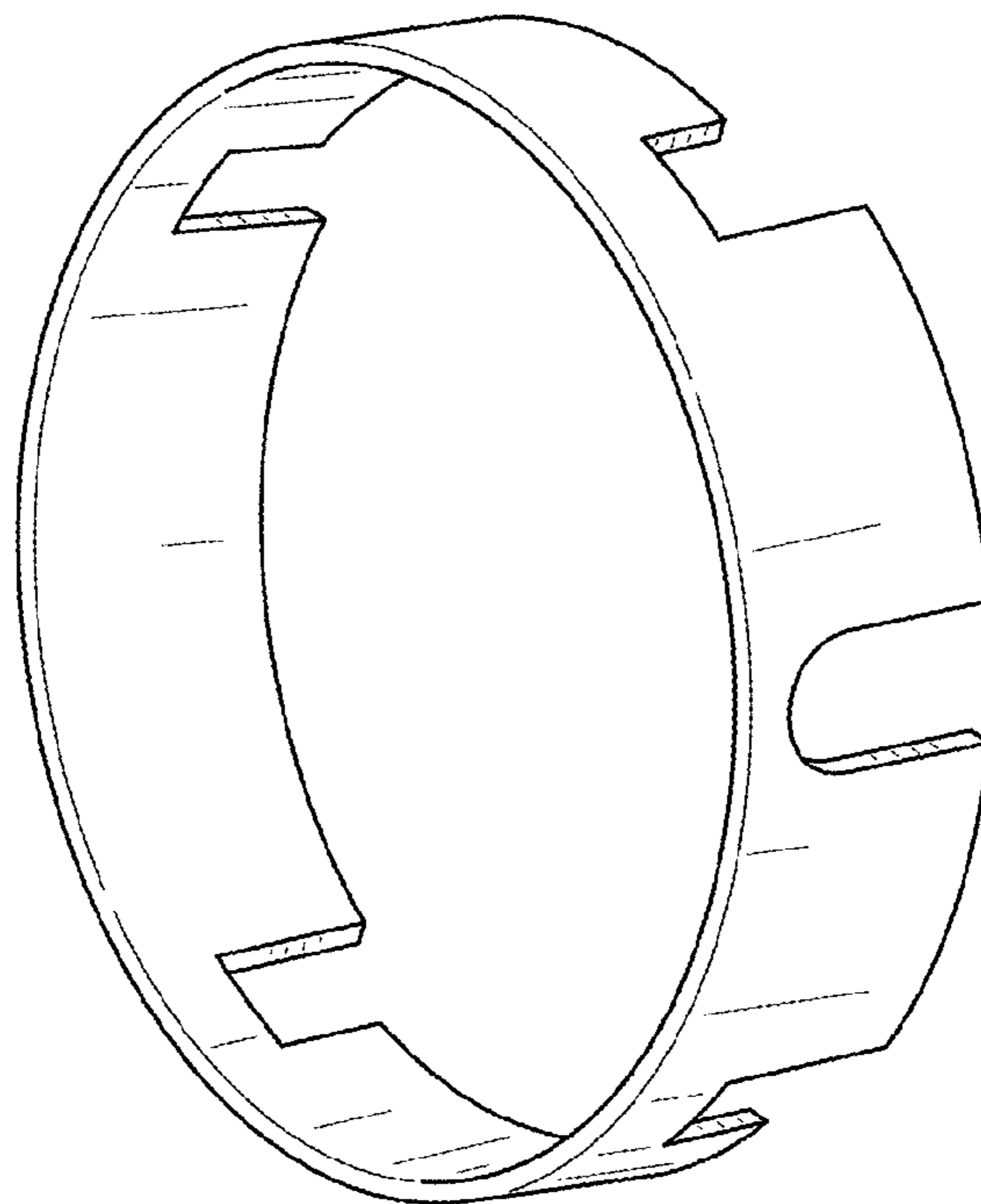
FIG. 12 is a left side view of the watch cover shown in FIG. 8;

FIG. 13 is a top view of the watch cover shown in FIG. 8; and,

FIG. 14 is a bottom view of the watch cover shown in FIG. 8.

The broken lines in FIGS. 8 through 14 are used to show portions of a watch and watch band that do not form part of the claimed design.

1 Claim, 6 Drawing Sheets



(56)

References Cited

U.S. PATENT DOCUMENTS

5,392,261 A * 2/1995 Hsu 368/281
D362,396 S * 9/1995 Chester D10/32
D386,421 S * 11/1997 Kennedy D10/30
D416,814 S * 11/1999 Welsh D10/31
D470,778 S * 2/2003 Berke D10/32
D505,086 S * 5/2005 Fernandez D10/39
D572,610 S * 7/2008 Colombo D10/39
D579,793 S * 11/2008 Hayek D10/39

D672,265 S * 12/2012 Pulli D10/128
8,585,282 B2 * 11/2013 Shindo 368/281

OTHER PUBLICATIONS

Kenneth Cole New York, Rubber Strap Touch Screen Watch, printed from kennethcole.com on Feb. 15, 2012.
Samsung, S9110 Touchscreen Watch Phone, printed from gadgetreview.com, published Jul. 22, 2009.
ThinkGeek, Abyss LED Touchscreen Watch, printed from thinkgeek.com on Feb. 15, 2012.

* cited by examiner

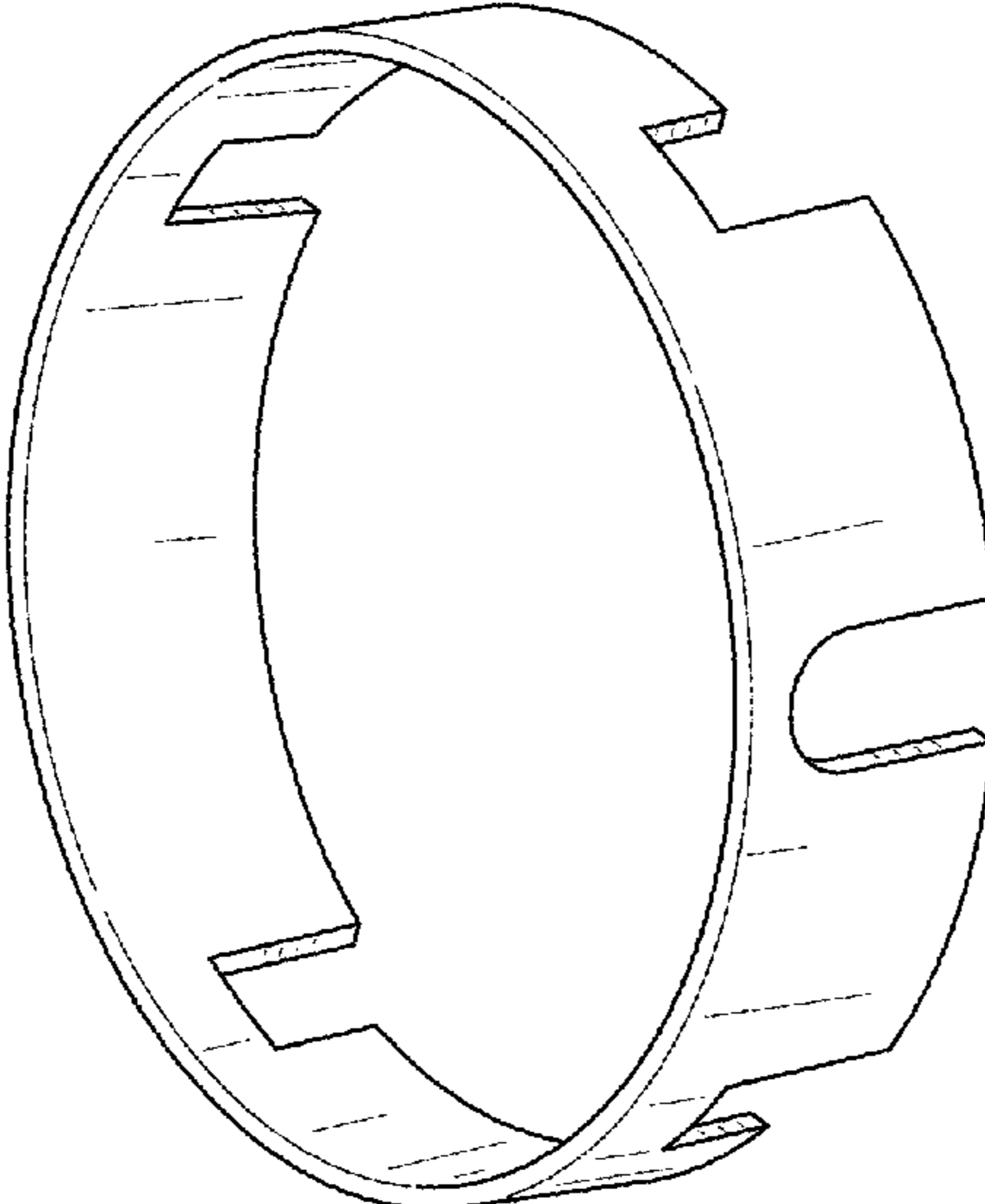


FIG. 1

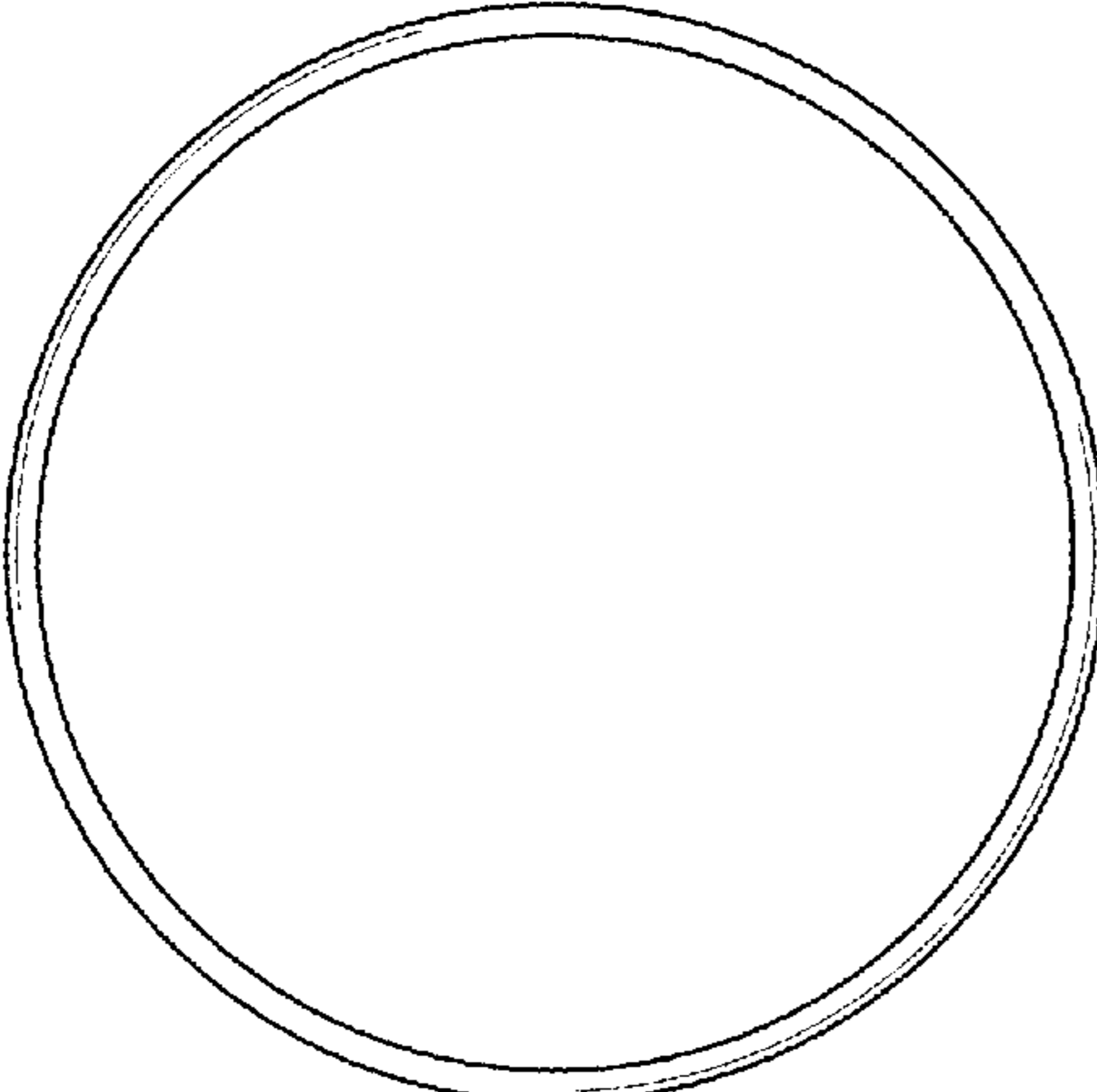


FIG. 2

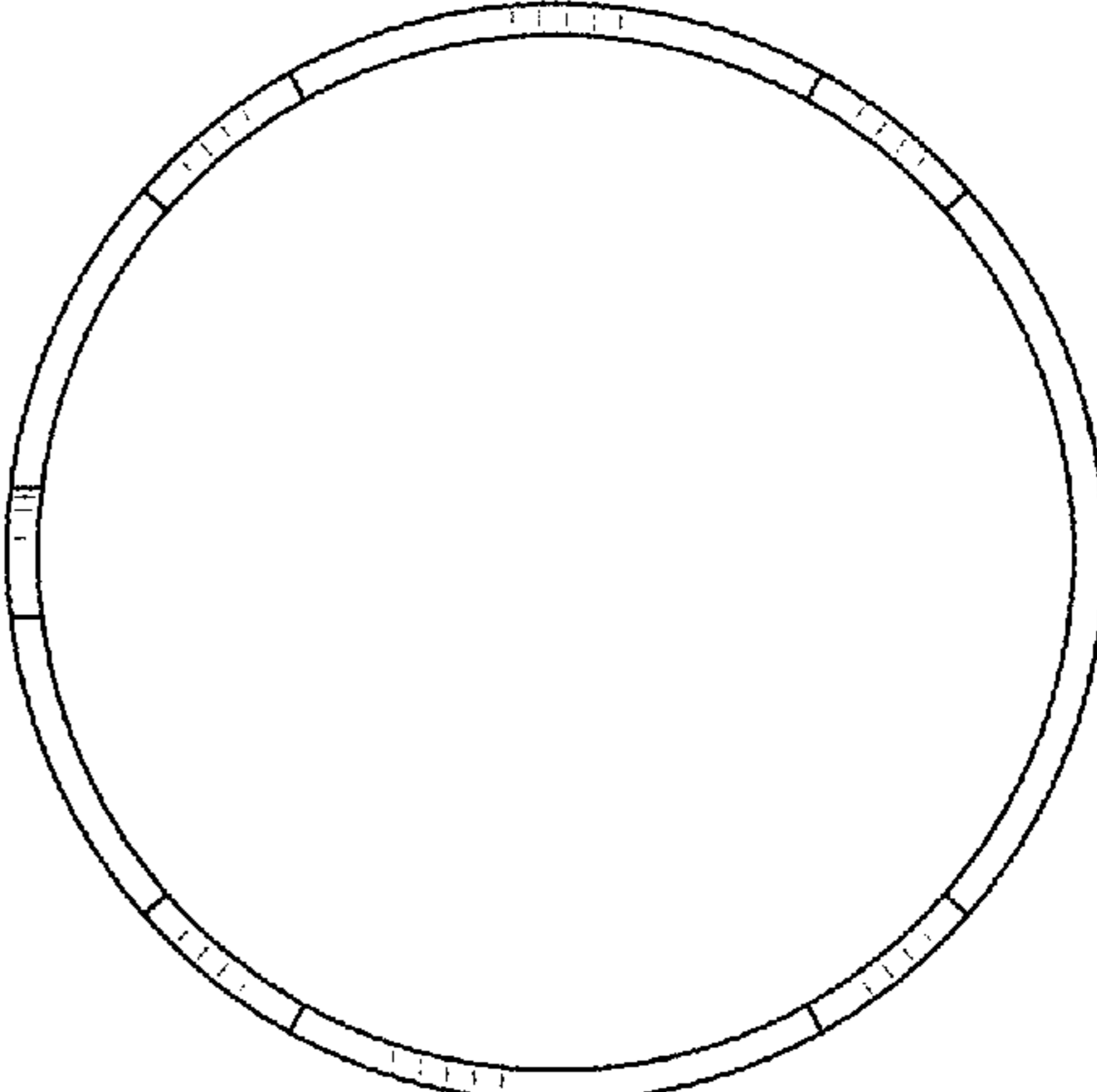


FIG. 3

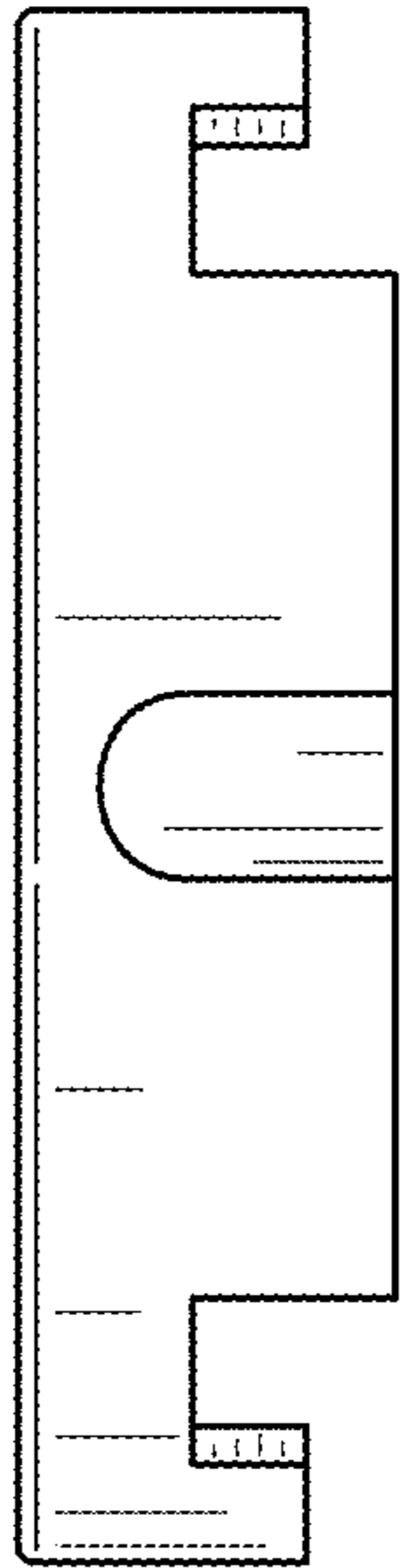


FIG. 4

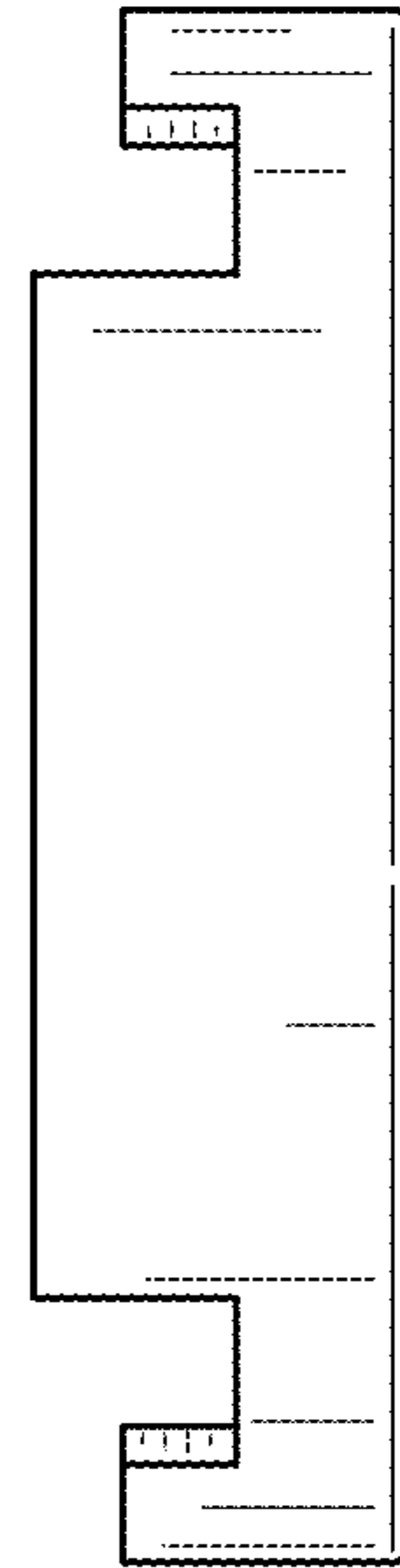


FIG. 5

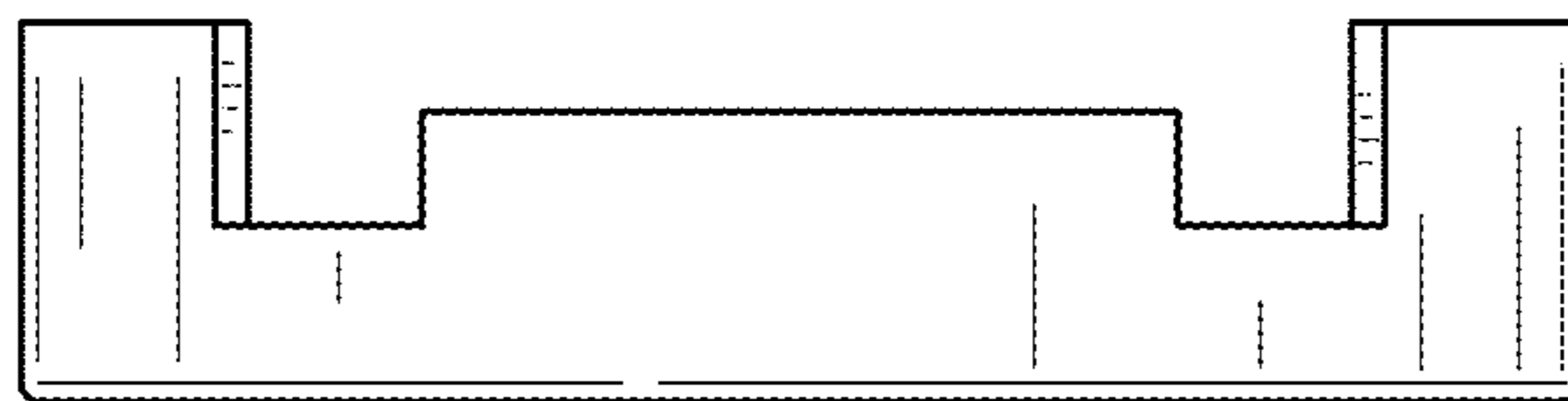


FIG. 6

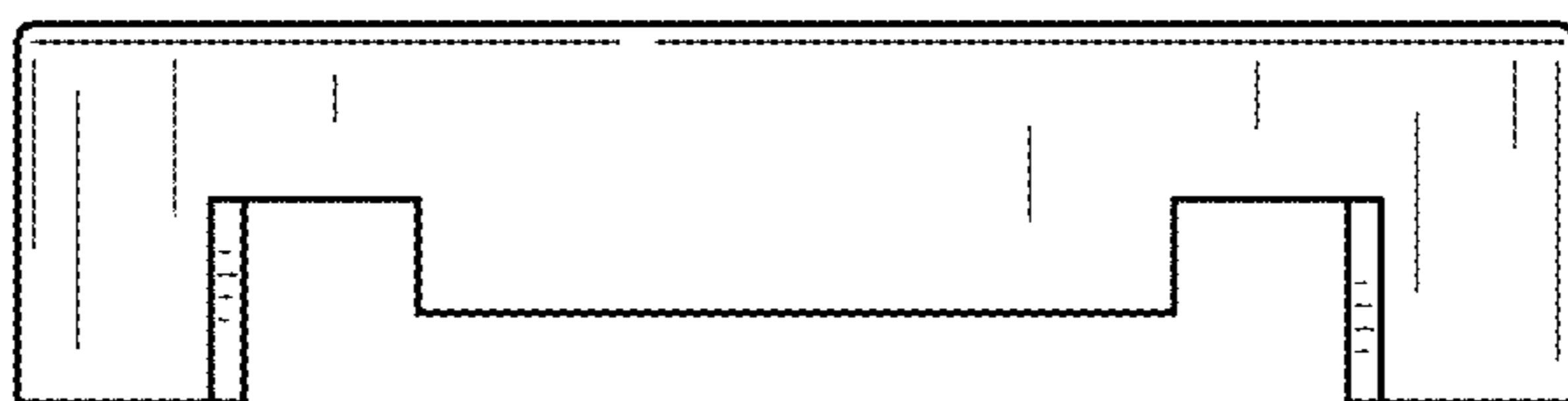


FIG. 7

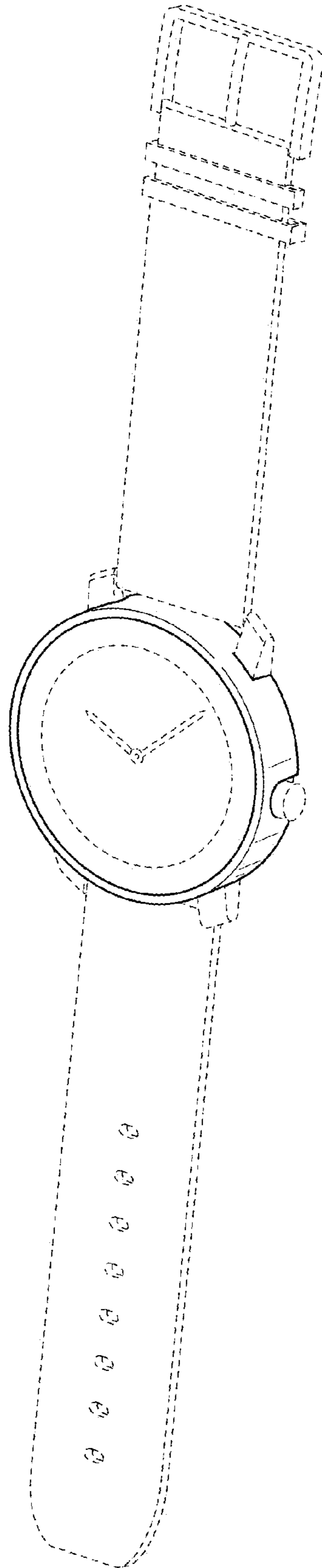


FIG. 8

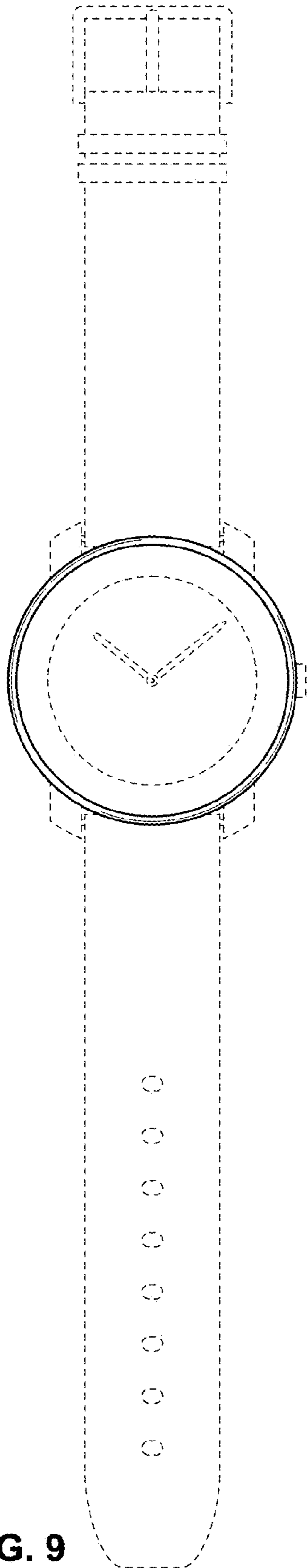


FIG. 9

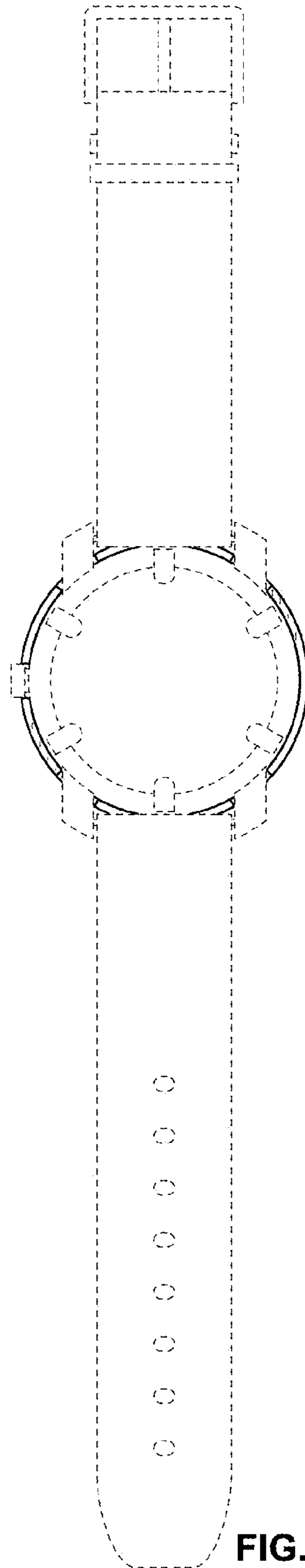


FIG. 10

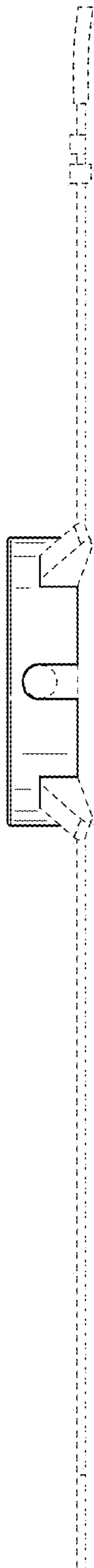


FIG. 11

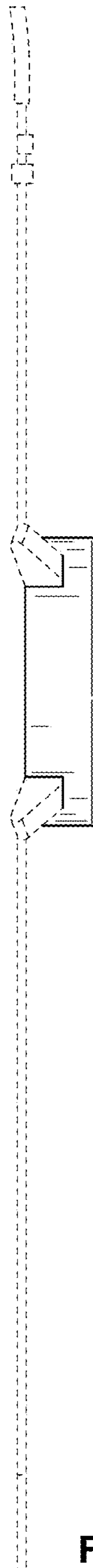


FIG. 12

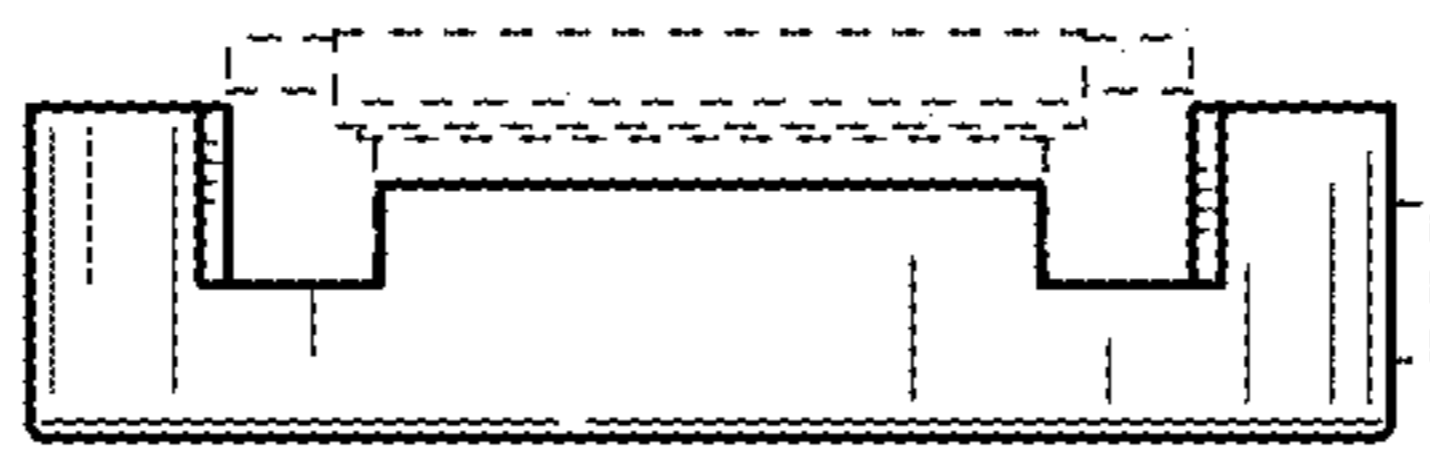


FIG. 13

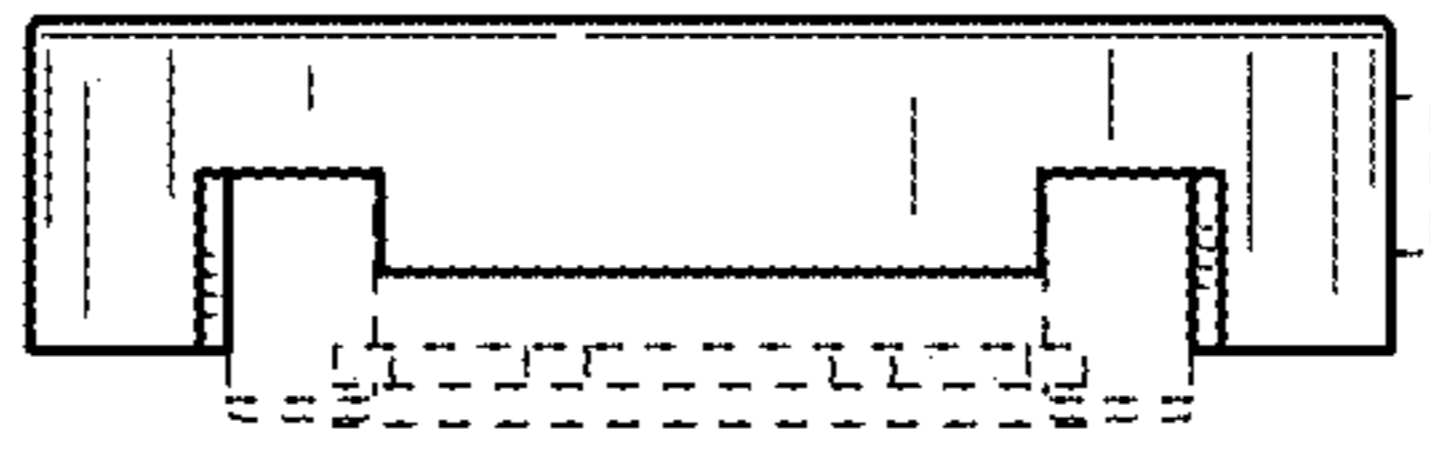


FIG. 14