

US00D717682S

(12) **United States Design Patent**  
**Yliluoma**

(10) **Patent No.:** **US D717,682 S**

(45) **Date of Patent:** **\*\* Nov. 18, 2014**

(54) **BEZEL OF A WRISTWATCH**

(71) Applicant: **Suunto Oy**, Vantaa (FI)

(72) Inventor: **Timo Yliluoma**, Vantaa (FI)

(73) Assignee: **Suunto Oy**, Vantaa (FI)

(\*\*) Term: **14 Years**

(21) Appl. No.: **29/455,304**

(22) Filed: **May 20, 2013**

(30) **Foreign Application Priority Data**

Apr. 5, 2013 (EM) ..... 001366819-0001

(51) **LOC (10) Cl.** ..... **10-07**

(52) **U.S. Cl.**  
USPC ..... **D10/128**

(58) **Field of Classification Search**  
CPC ..... G04B 19/283; G04B 19/18  
USPC ..... D10/30-39, 128; 368/294, 295  
See application file for complete search history.

(56) **References Cited**

**U.S. PATENT DOCUMENTS**

3,307,346 A \* 3/1967 Klingenberg ..... 368/294  
D348,013 S \* 6/1994 Nomura ..... D10/38

D412,287 S \* 7/1999 Cattin ..... D10/30  
6,762,976 B1 \* 7/2004 Tamaru et al. .... 368/88  
D500,452 S \* 1/2005 Itsubo ..... D10/39  
D523,357 S \* 6/2006 Kummer ..... D10/38  
D536,997 S \* 2/2007 Asakawa ..... D10/38  
D607,346 S \* 1/2010 Bove et al. .... D10/38  
D628,499 S \* 12/2010 Duport et al. .... D10/38  
D652,326 S \* 1/2012 Kummer ..... D10/38  
D664,865 S \* 8/2012 Luk Ying Yee ..... D10/38  
D677,595 S \* 3/2013 Hinskens ..... D10/128  
D677,596 S \* 3/2013 Hinskens ..... D10/128  
D711,751 S \* 8/2014 Laucella ..... D10/39

\* cited by examiner

*Primary Examiner* — Lucy Lieberman

(74) *Attorney, Agent, or Firm* — Terence P. O'Brien

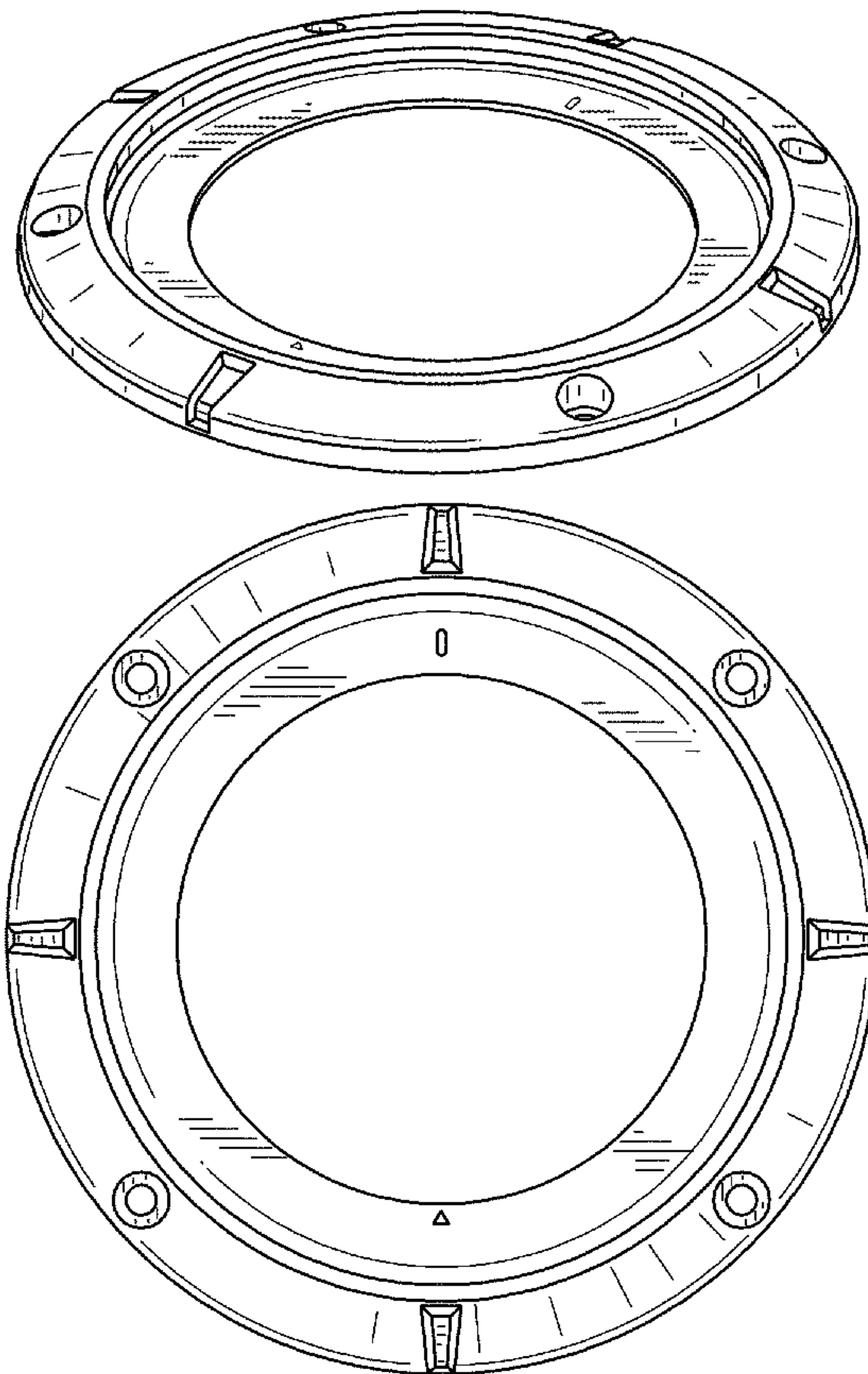
(57) **CLAIM**

I claim the ornamental design for a bezel of a wristwatch, as shown and described.

**DESCRIPTION**

FIG. 1 is top, side perspective view of a bezel of a wristwatch; FIG. 2 is a top view of the bezel of FIG. 1; FIG. 3 is a side view thereof; FIG. 4 is an end view thereof; and, FIG. 5 is a bottom view of the bezel of FIG. 1.

**1 Claim, 3 Drawing Sheets**



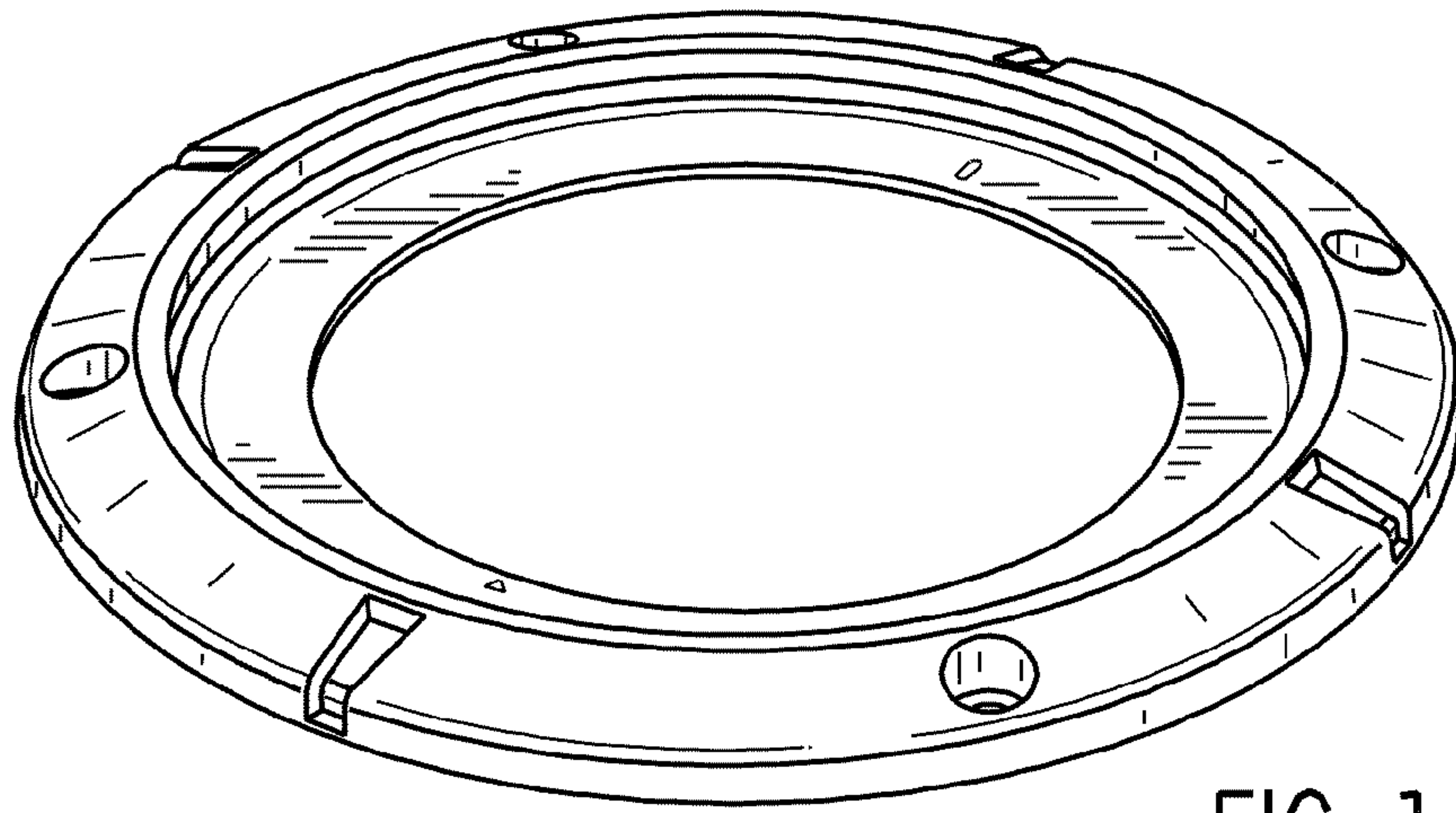


FIG. 1

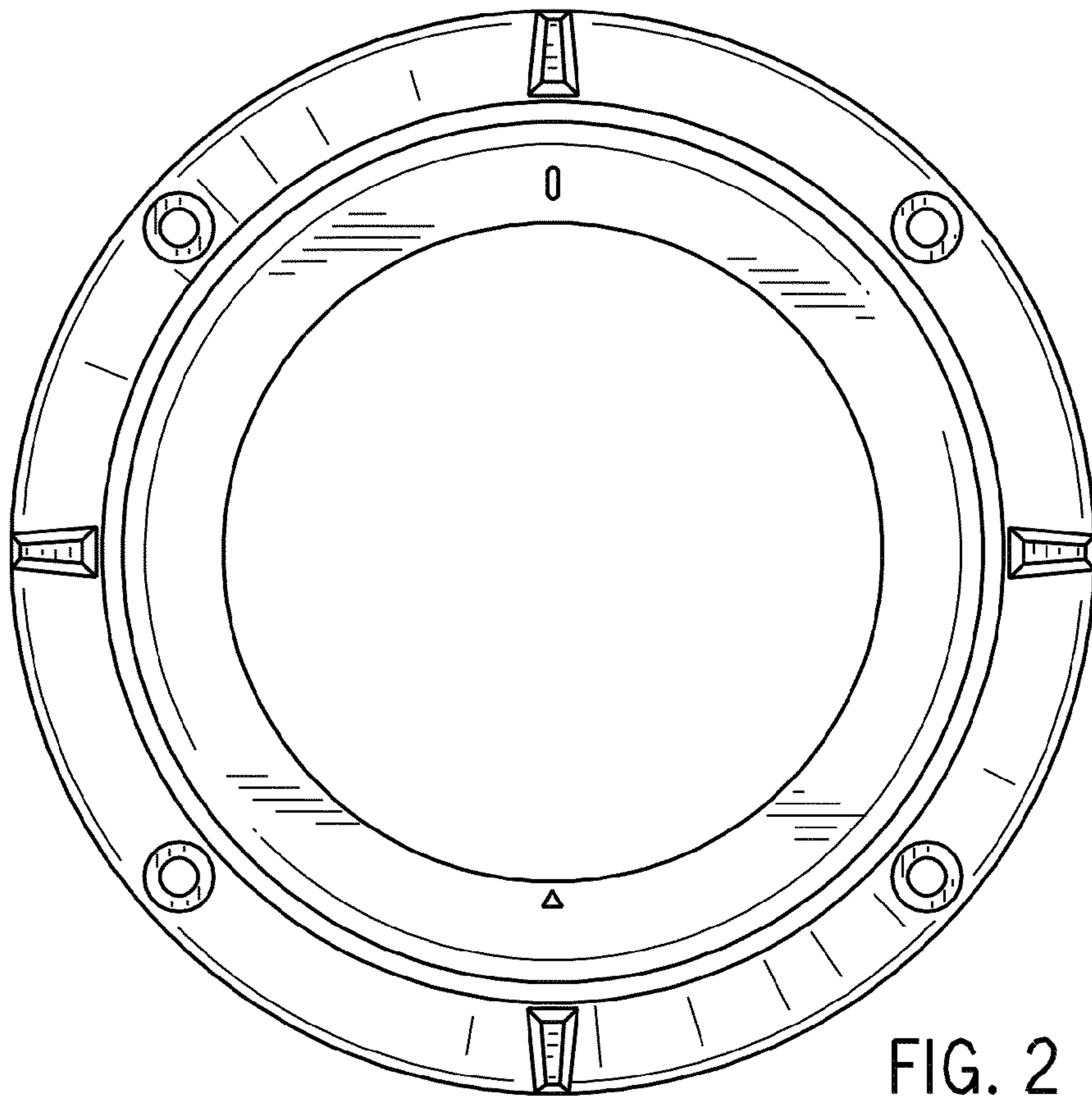


FIG. 2



FIG. 3



FIG. 4

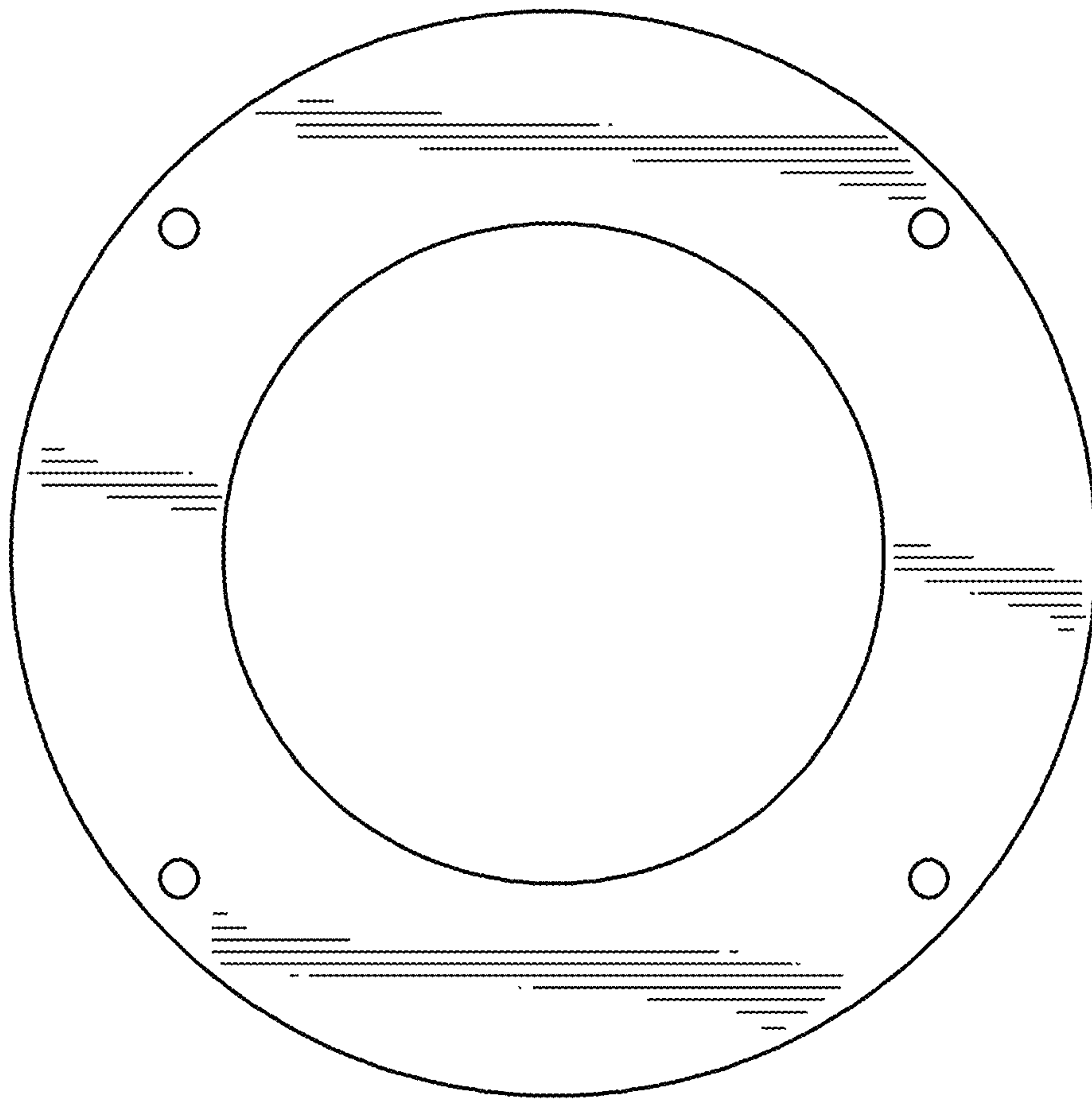


FIG. 5