



US00D717678S

(12) **United States Design Patent**
Anderssen et al.

(10) **Patent No.:** **US D717,678 S**

(45) **Date of Patent:** **** Nov. 18, 2014**

(54) **WEARABLE DEVICE AND BAND**

345/156, 905; 342/27, 28, 52–58, 419, 450,
342/457, 458; 250/DIG. 1

(71) Applicant: **Evado Filip Holding, Ltd.**, London
(GB)

See application file for complete search history.

(72) Inventors: **Torbjørn Anderssen**, Oslo (NO); **Sten Kirkbak**, Trondheim (NO); **Pål Selnaes**, Morrisville, NC (US); **William Herbert Darden, IV**, Cary, NC (US); **Espen Voll**, Oslo (NO); **Timothy Bodnarchuk**, Raleigh, NC (US); **Ken Hogue**, Chapel Hill, NC (US)

(56) **References Cited**

U.S. PATENT DOCUMENTS

| | | | | | | |
|----------|---|---|---------|--------------|-------|--------|
| D315,111 | S | * | 3/1991 | Rogalski | | D10/97 |
| D323,787 | S | * | 2/1992 | Moorman | | D10/97 |
| D331,020 | S | * | 11/1992 | Ishii et al. | | D10/31 |
| D361,042 | S | * | 8/1995 | Nanayakkara | | D10/31 |
| D400,112 | S | * | 10/1998 | Rider | | D10/70 |
| D455,093 | S | * | 4/2002 | Fitzgerald | | D10/98 |
| D528,439 | S | * | 9/2006 | Burton | | D10/32 |

(Continued)

(73) Assignee: **Filip Technologies, Inc.**, New York, NY
(US)

Primary Examiner — Antoine D Davis

(**) Term: **14 Years**

(74) *Attorney, Agent, or Firm* — Ballard Spahr LLP

(21) Appl. No.: **29/455,636**

(57) **CLAIM**

We claim the ornamental design for a wearable device and band, as shown and described.

(22) Filed: **May 22, 2013**

(51) **LOC (10) Cl.** **10-04**

DESCRIPTION

(52) **U.S. Cl.**

USPC **D10/98**; D10/70

(58) **Field of Classification Search**

CPC A63B 24/00; A63B 2220/14; A63B 71/06;
A63B 26/00; A63B 24/0075; A63B
2071/0663; A41D 1/002; A44C 5/0015;
A44C 5/102; A44C 5/14; A44C 5/02; A61B
19/44; A61B 2019/446

USPC D10/65, 70, 78, 97, 98; 2/127, 170;
40/633, 665; 59/80; 63/15.7;
340/407.1, 665, 323 R; 368/41;
434/247, 258; 482/1, 2, 4, 8, 9, 44,
482/148, 901, 74, 909; 600/485, 500, 503,
600/437, 443, 453, 459, 465, 479, 502, 595,
600/481, 483; 702/178, 155, 160, 176, 78,
702/79, 82, 91–95, 104, 116, 141, 150, 151,
702/154, 127, 131, 182, 183, 189; 235/105;
377/5, 24.2, 26; 73/514.33, 514.34,
73/510, 513, 527, 530; 324/522; 345/165,

FIG. 1 is an isometric view of an embodiment of our design for a wearable device and band;

FIG. 2 is a top view of the design for a wearable device and band shown in FIG. 1;

FIG. 3 is a bottom view of the design for a wearable device and band shown in FIG. 1;

FIG. 4 is a left side view of the design for a wearable device and band shown in FIG. 1;

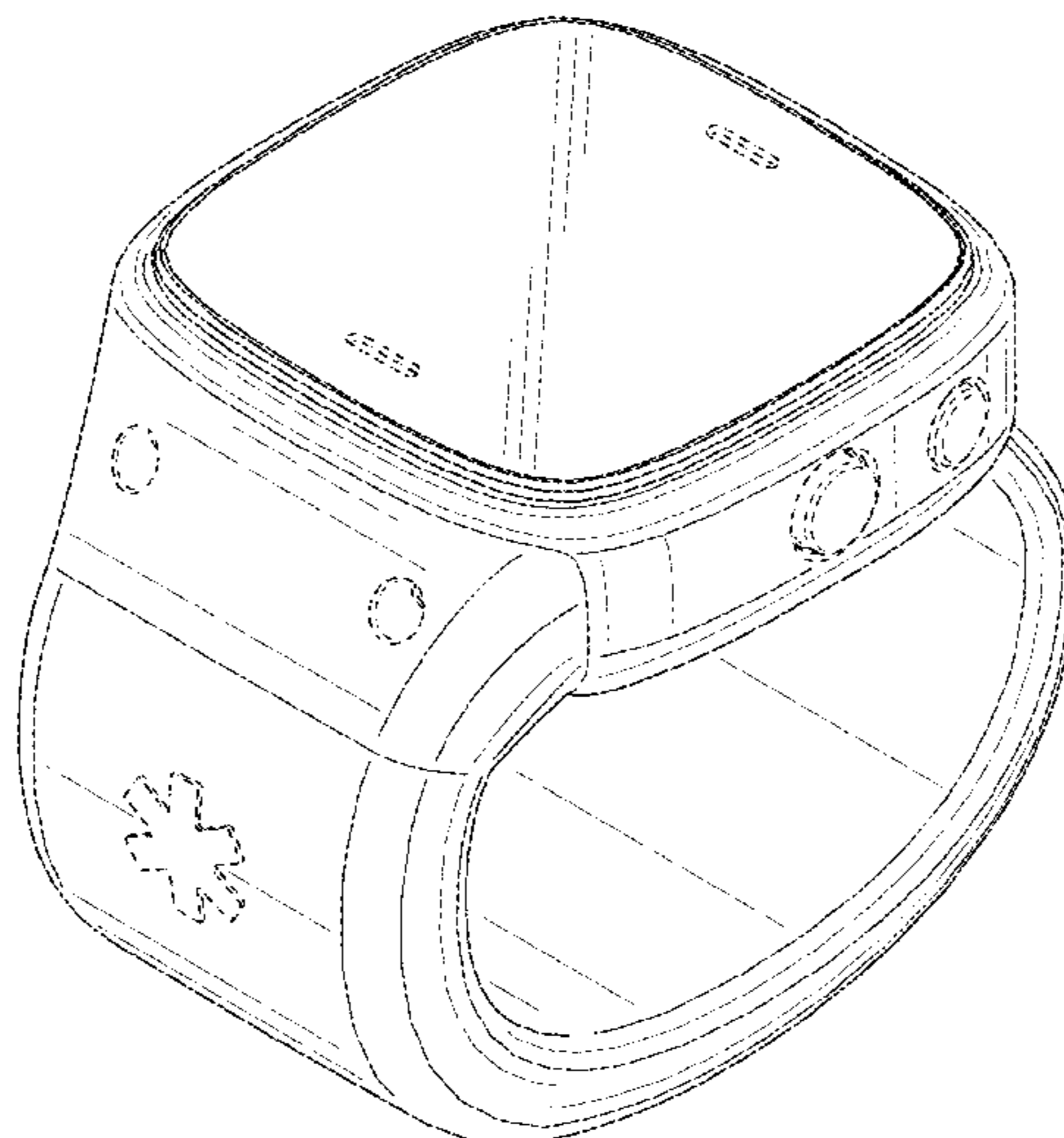
FIG. 5 is a right side view of the design for a wearable device and band shown in FIG. 1;

FIG. 6 is an end view of the design for a wearable device and band shown in FIG. 1; and,

FIG. 7 is a second end view of the design for a wearable device and band shown in FIG. 1.

The broken lines in the Figures are for illustrative purposes only and form no part of the claimed design.

1 Claim, 7 Drawing Sheets



(56)

References Cited

U.S. PATENT DOCUMENTS

| | | | | | | | |
|--------------|--------|------------------------|--------|--------------|---------|-----------------------|--------|
| D528,441 S * | 9/2006 | Burton | D10/38 | D569,282 S * | 5/2008 | Daniel | D10/65 |
| D528,928 S * | 9/2006 | Burton | D10/38 | D584,170 S * | 1/2009 | Morrison | D10/32 |
| D536,265 S * | 2/2007 | Reynoso | D10/31 | D586,674 S * | 2/2009 | Solarewicz | D10/70 |
| D538,687 S * | 3/2007 | Komulainen | D10/70 | D602,386 S * | 10/2009 | Ueda et al. | D10/98 |
| D542,157 S * | 5/2007 | Lafever et al. | D10/32 | D610,476 S * | 2/2010 | Daniel | D10/70 |
| D549,602 S * | 8/2007 | Oberrieder et al. | D10/65 | D637,506 S * | 5/2011 | Toyoshima et al. | D10/70 |
| D550,105 S * | 9/2007 | Oberrieder et al. | D10/65 | D645,360 S * | 9/2011 | Kiser et al. | D10/32 |
| | | | | D670,583 S * | 11/2012 | Shaanan | D10/70 |
| | | | | D672,667 S * | 12/2012 | Mix | D10/65 |
| | | | | D693,251 S * | 11/2013 | Anderssen et al. | D10/65 |

* cited by examiner

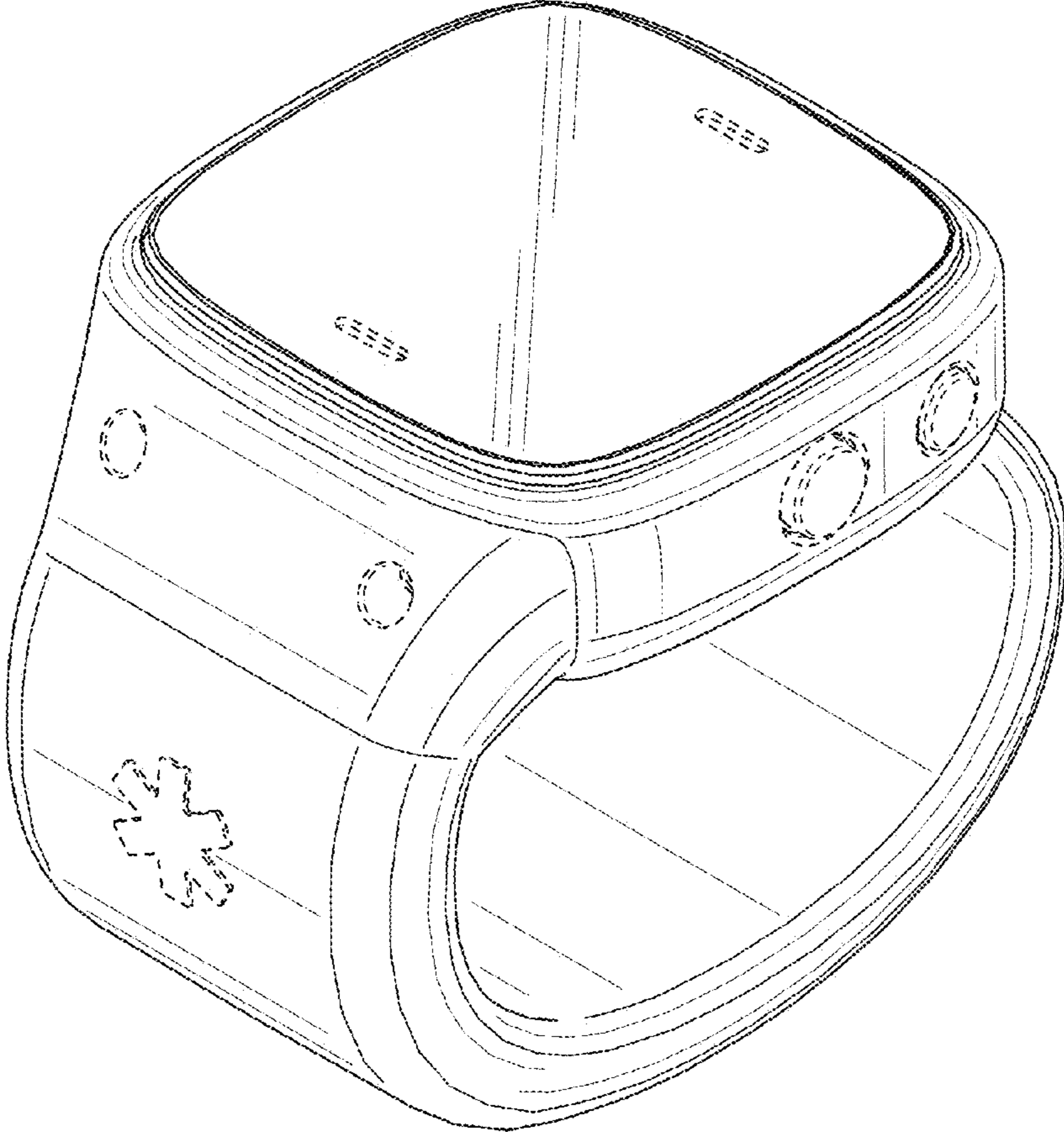


FIG. 1

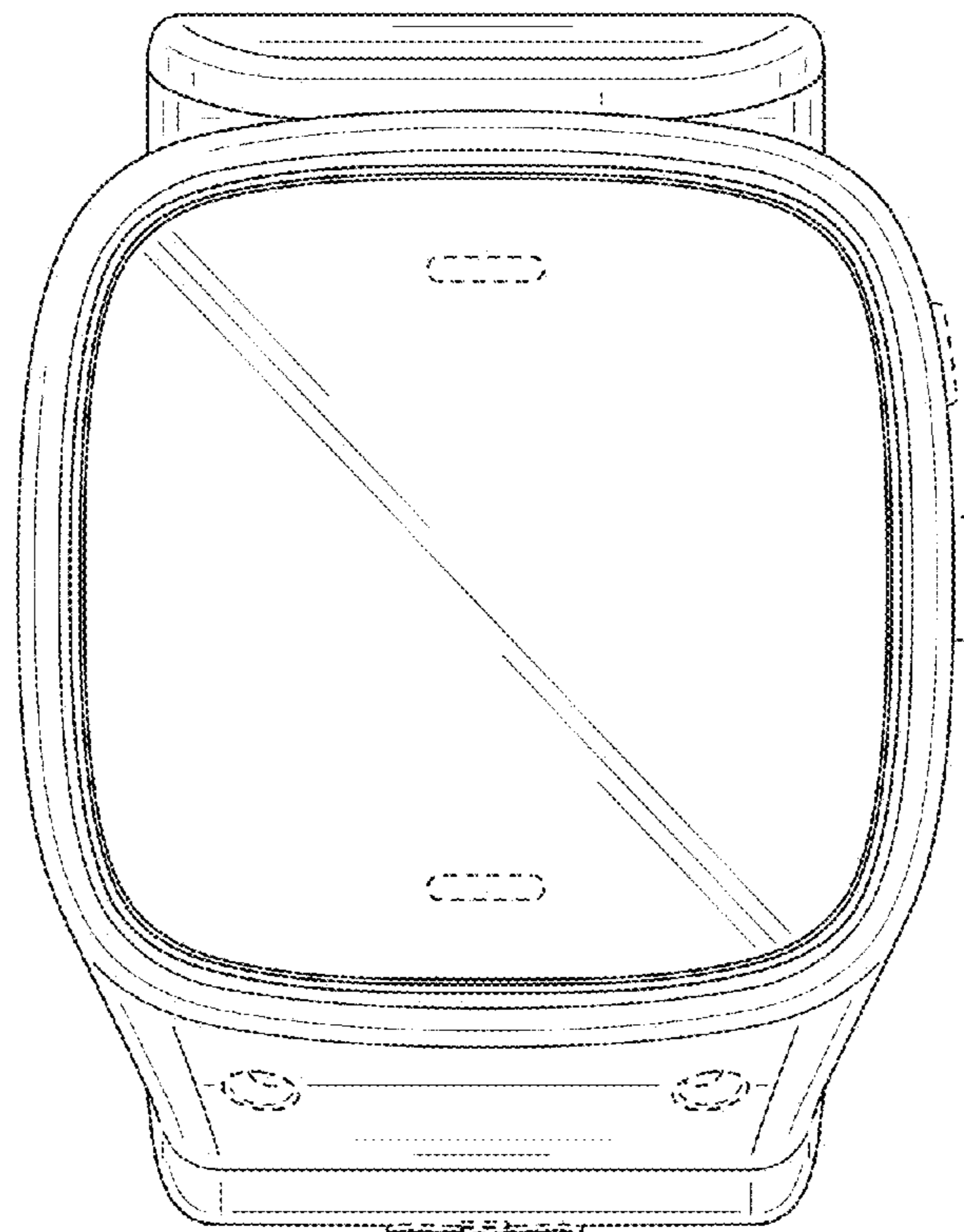


FIG. 2

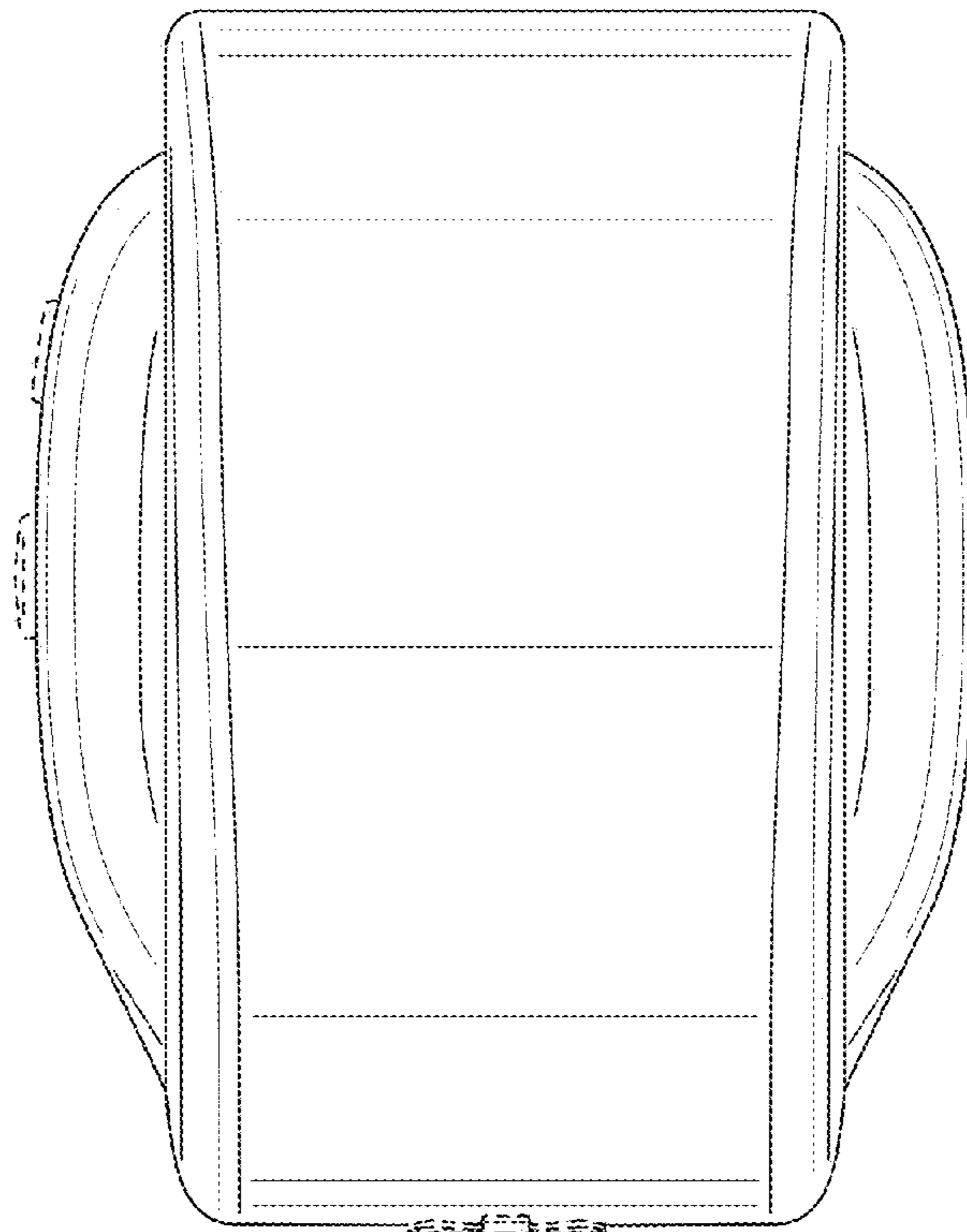


FIG. 3

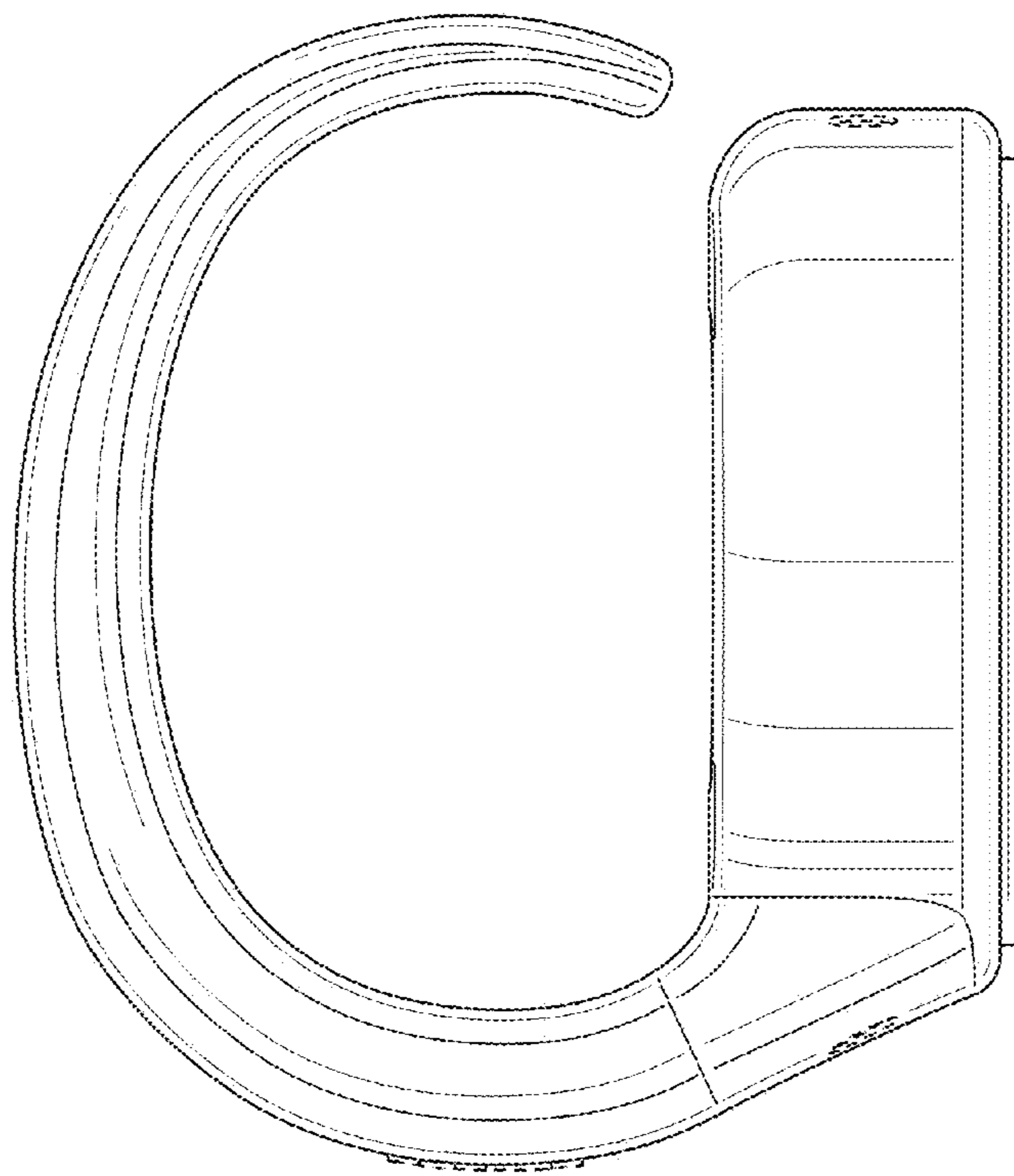


FIG. 4

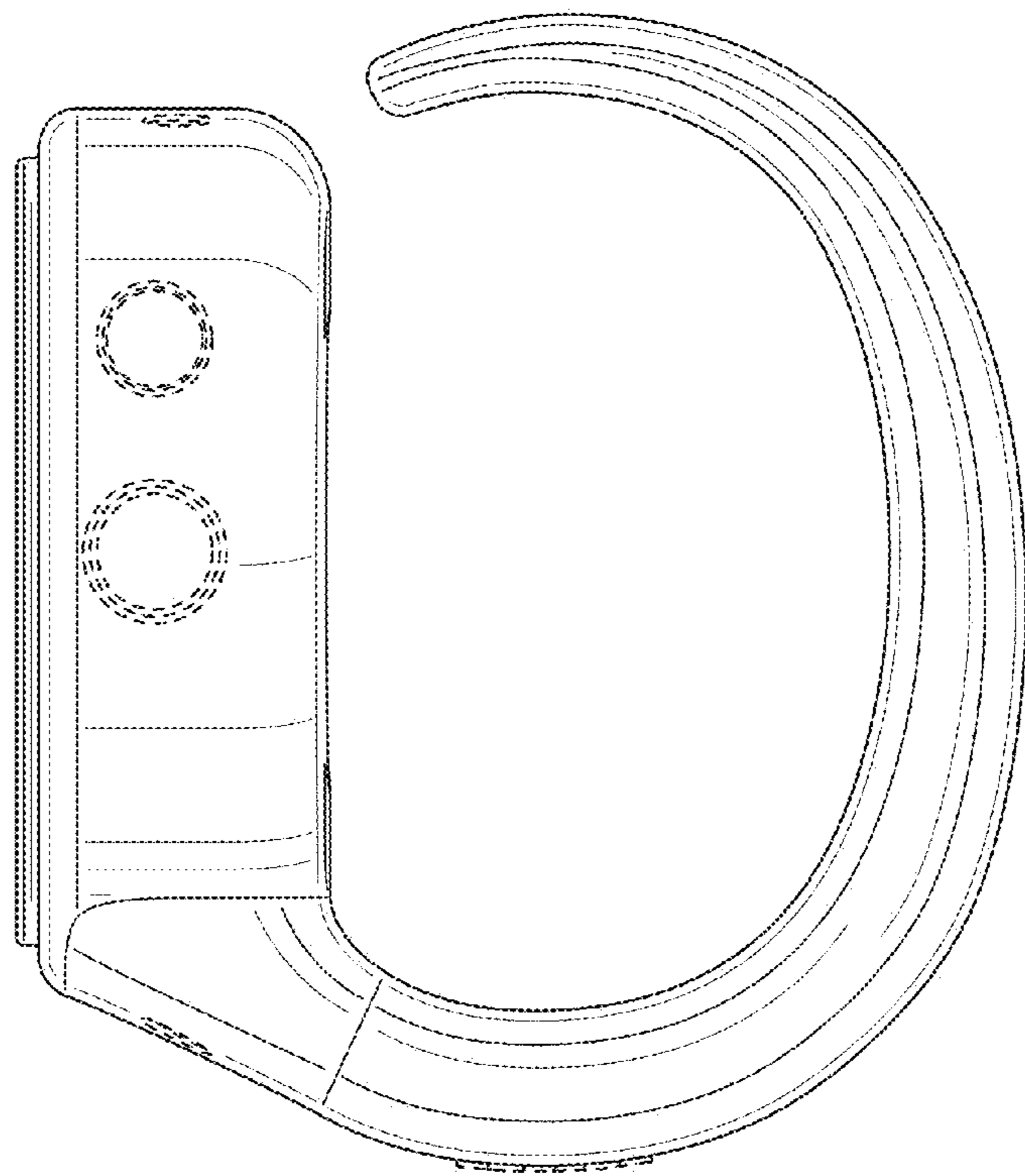


FIG. 5

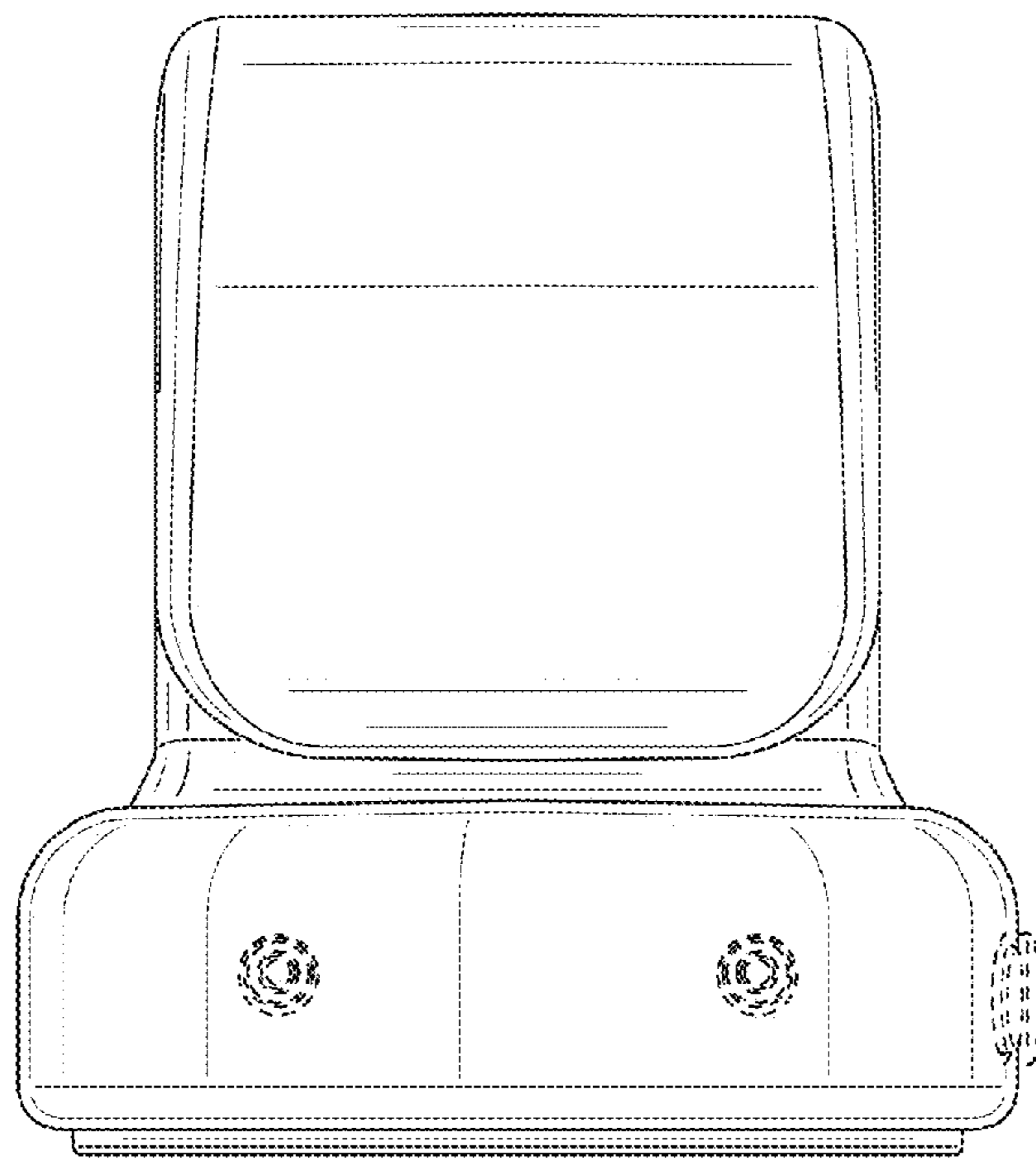


FIG. 6

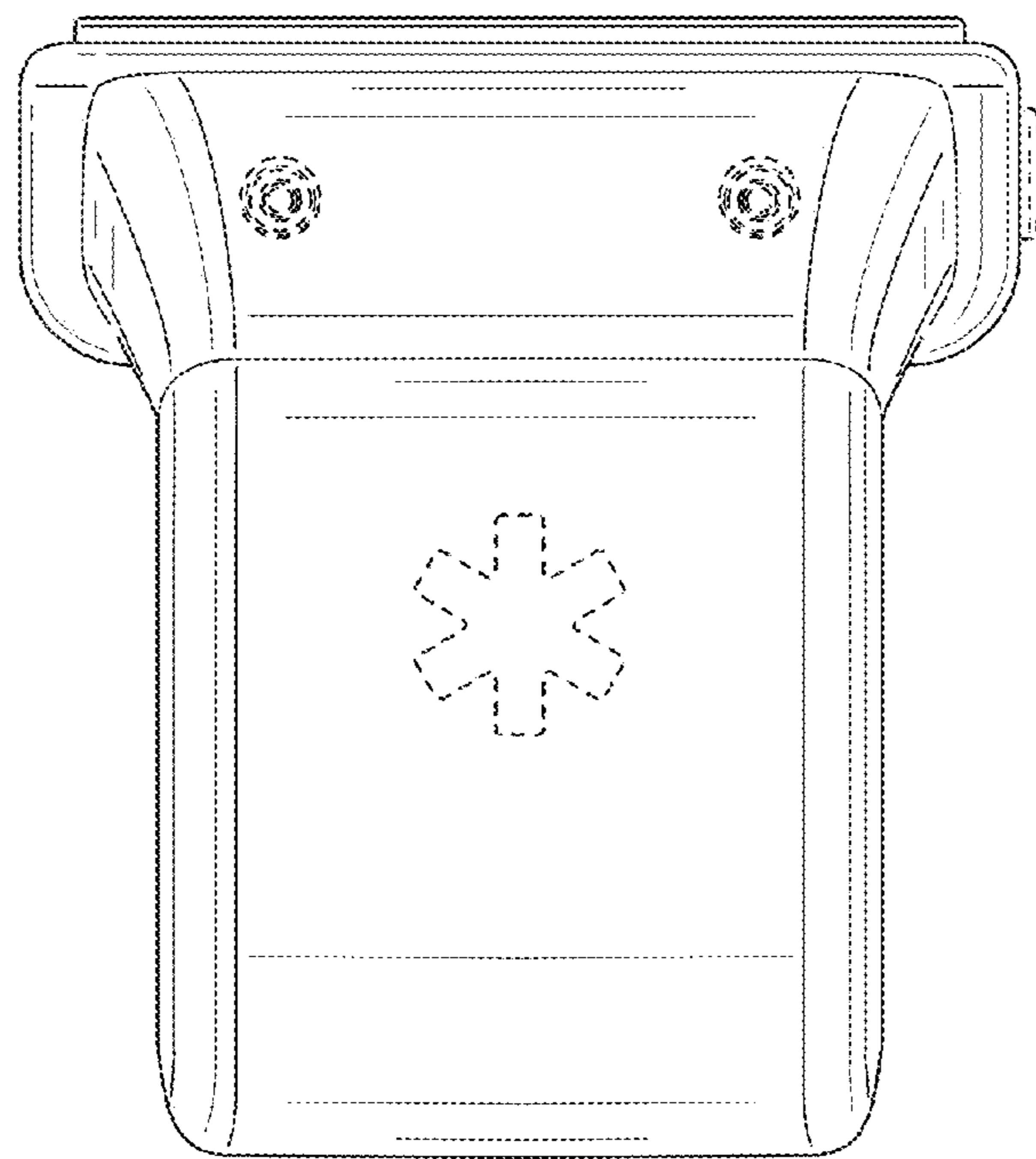


FIG. 7