



US00D717676S

(12) **United States Design Patent**
Moeller

(10) **Patent No.:** **US D717,676 S**

(45) **Date of Patent:** **** Nov. 18, 2014**

(54) **SENSOR**

(71) Applicant: **Steinel GmbH**, Herzebrock (DE)

(72) Inventor: **Thomas Moeller**, Herford (DE)

(73) Assignee: **Steinel GmbH**, Herzebrock (DE)

(**) Term: **14 Years**

(21) Appl. No.: **29/451,895**

(22) Filed: **Apr. 10, 2013**

(51) **LOC (10) Cl.** **10-04**

(52) **U.S. Cl.**
USPC **D10/70; D10/106.6**

(58) **Field of Classification Search**

CPC G08G 1/096883; G08G 1/096872;
G08G 1/096775; G01C 21/16; G01C 21/3688;
G01C 21/30; G01C 21/265; G01C 21/26;
G01C 21/00; G01C 21/3632; G01C 21/3617;
G01C 25/005; G01C 21/3664; G01P 3/22;
G01P 3/50; G01P 15/18; G06F 3/04
USPC D10/65, 70, 75, 78, 104.1,
D10/106.1–106.8; D14/138 R, 138 AA,
D14/138 AB, 138 AC, 138 AD, 341–347,
D14/507–510, 136, 167, 168, 496, 498, 499,
D14/500, 125–134, 239, 371, 374–377, 440,
D14/450, 448, 336, 342; 343/702; 345/87,
345/104, 133, 156, 168, 173, 901–905,
345/165; 348/180, 184, 315, 739, 836, 838,
348/325; 364/444, 499; 701/408–418, 431,
701/432, 537, 1, 454, 428, 440, 400, 491,
701/526, 455, 444, 36, 541, 487; 312/7.2;
341/12; 720/605, 669, 600, 655;
369/99, 197; 455/344, 347, 575.1;
250/221, 338.3, 340, 239, 342, 341,
250/DIG. 1, 353, 338.1; 307/116, 117, 9.1,
307/10.1; 340/521, 527, 541, 567, 540,
340/568.2, 539.23, 635, 687, 425.5, 815.4,

340/901, 988, 989, 990, 992, 995.1, 562,
340/815.45; 315/159; 324/72.5, 556, 133,
324/149, 503, 543, 555, 66, 72, 754, 115,
324/141, 522; 73/615, 624, 627, 644,
73/514.33, 514.34, 510, 513, 527, 530;
356/3.01–5.15; 235/105; 377/5, 24.2,
377/26; 702/155, 160, 176, 78, 79, 82,
702/91–95, 104, 116, 141, 150, 151, 154,
702/127, 131, 182, 183, 189; 600/437, 443,
600/453, 459, 465, 479, 500, 502, 595, 485,
600/481, 483; 700/17; 715/762, 764, 970

See application file for complete search history.

(56) **References Cited**

U.S. PATENT DOCUMENTS

D697,439 S * 1/2014 Moeller D10/70

* cited by examiner

Primary Examiner — Antoine D Davis

(74) *Attorney, Agent, or Firm* — Bachman & LaPointe, P.C.

(57) **CLAIM**

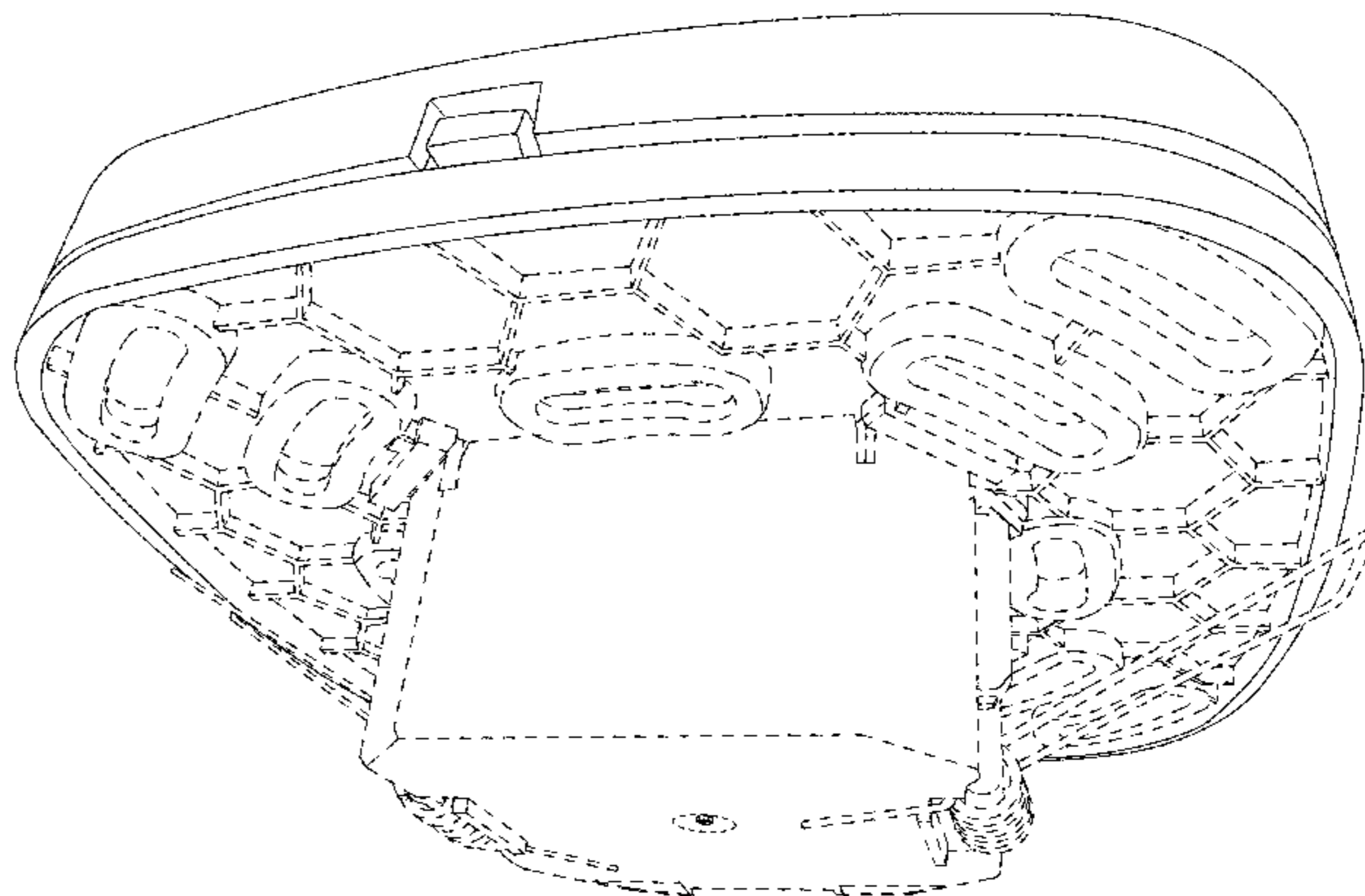
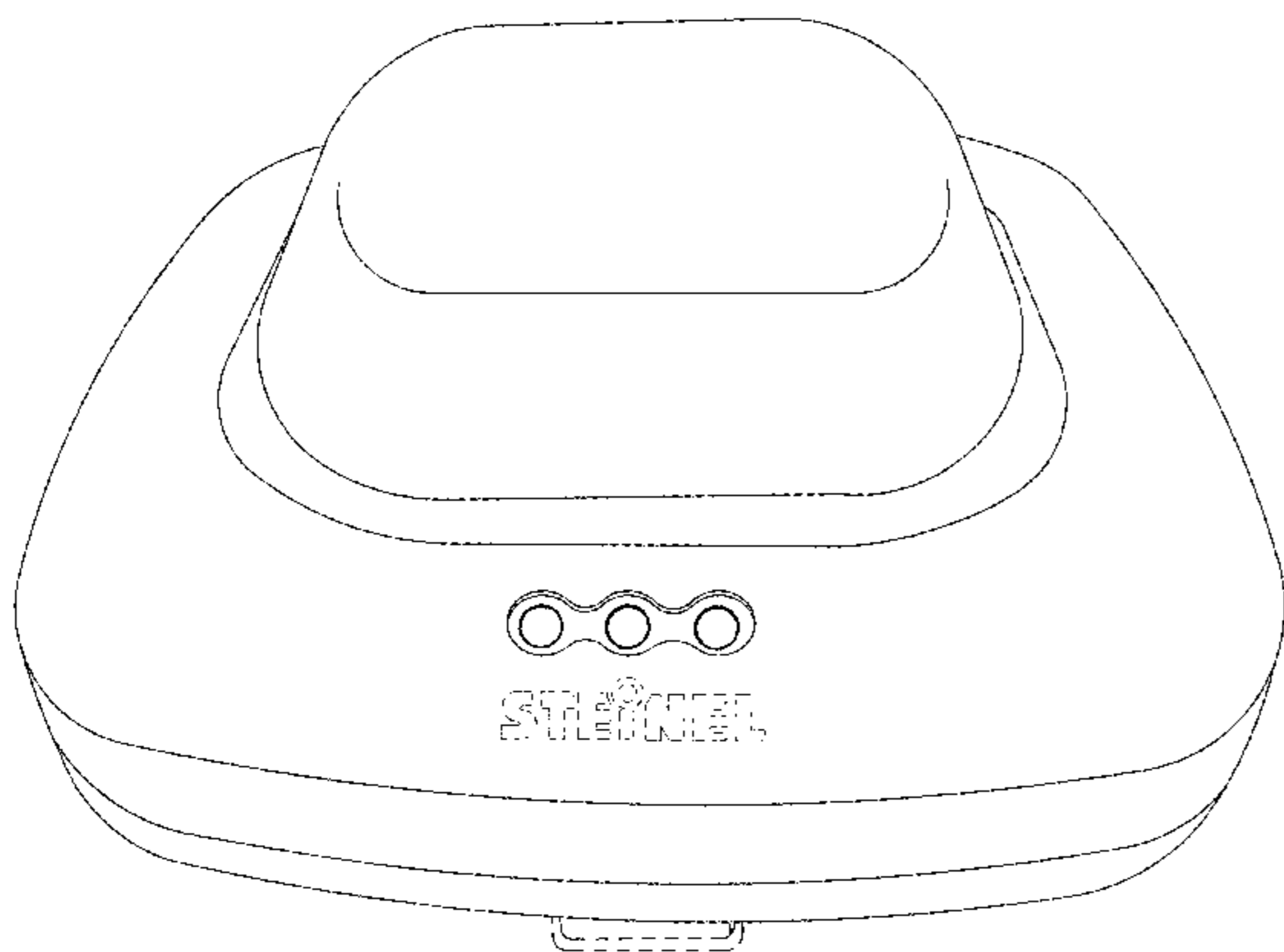
The ornamental design of a sensor, as shown and described.

DESCRIPTION

FIG. 1 is a top view showing the ornamental design of a sensor in accordance with the present invention; FIG. 2 is a perspective view of the embodiment of FIG. 1; FIG. 3 is a side view of the embodiment of FIG. 1; FIG. 4 is a bottom view of the embodiment of FIG. 1; and, FIG. 5 is a bottom perspective view of the embodiment of FIG. 1.

It should be noted that the text in FIGS. 1 and 2 and the bottom surfaces of the device illustrated in FIGS. 2, 3, 4 and 5 form no part of the claimed ornamental design of the present invention and are therefore illustrated in broken lines.

1 Claim, 5 Drawing Sheets



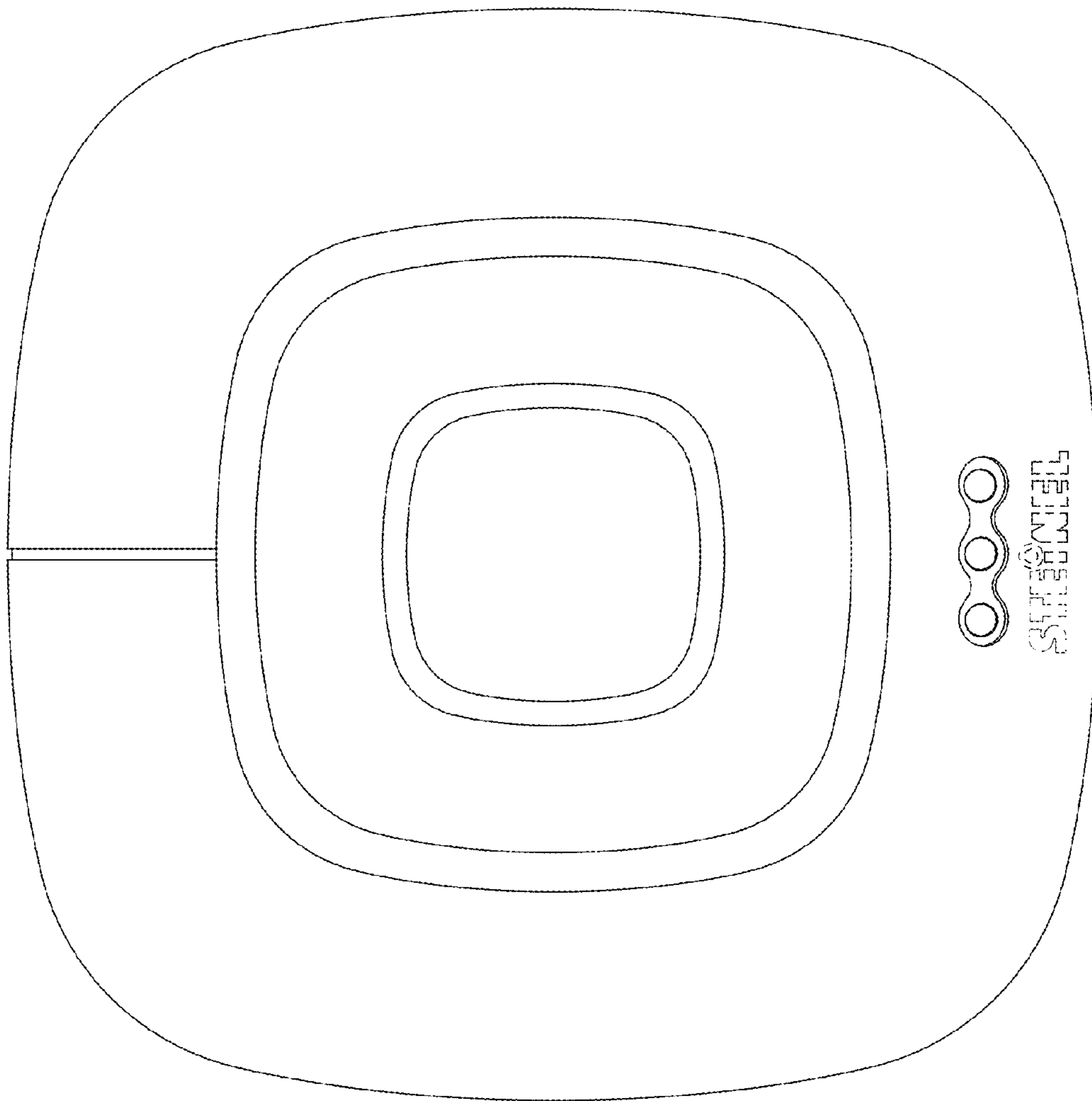


FIG. 1

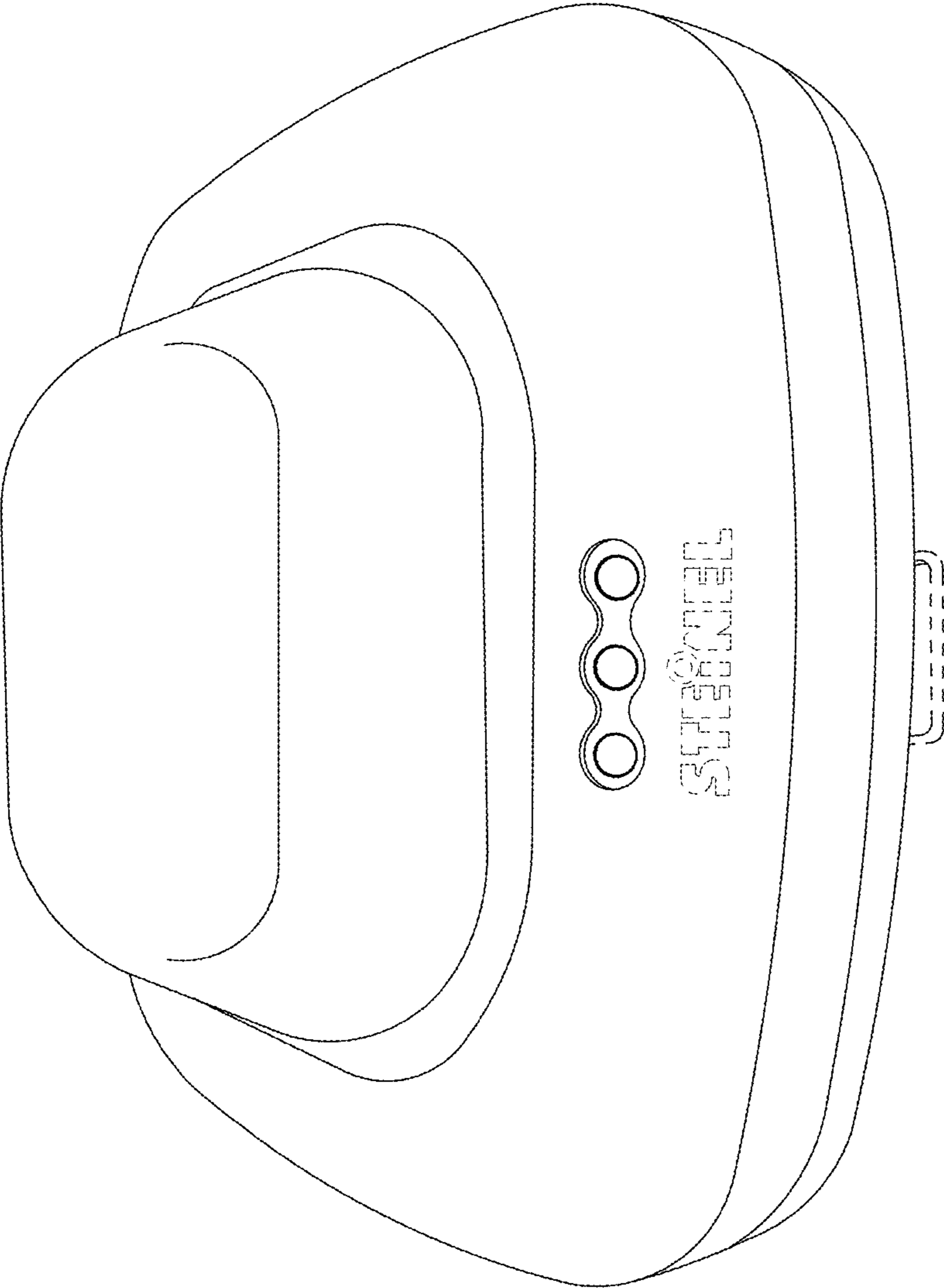


FIG. 2

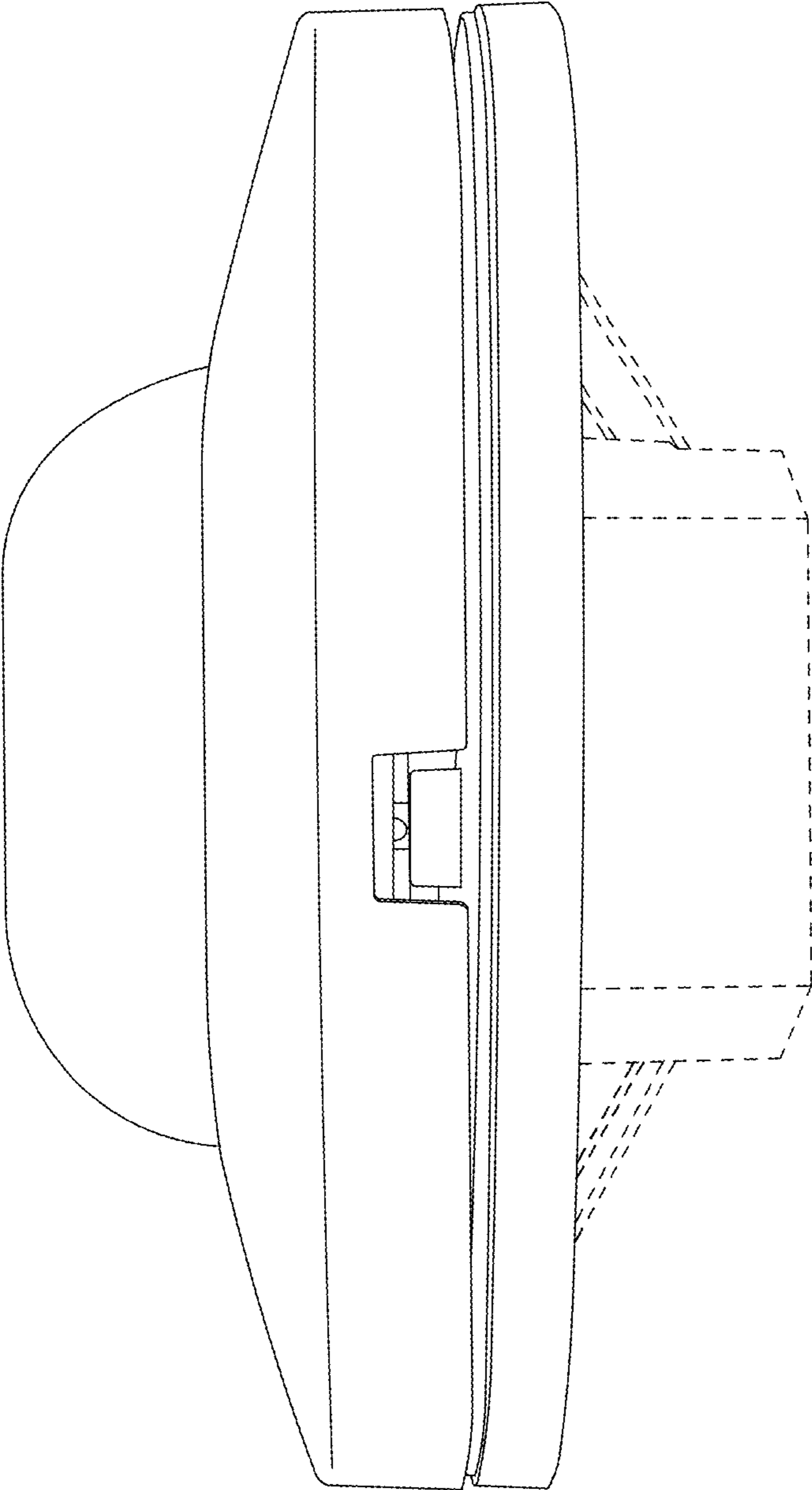


FIG. 3

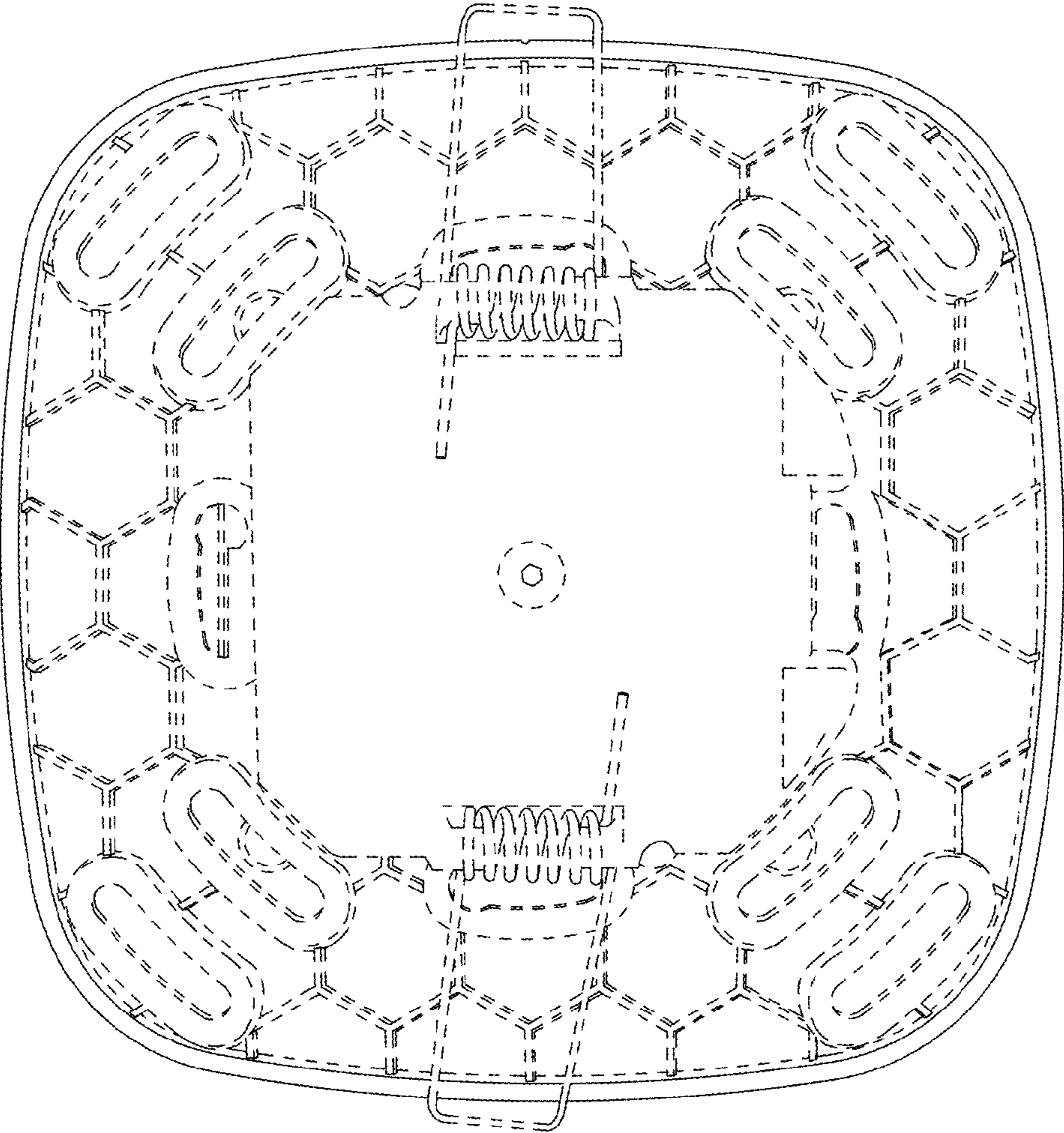


FIG. 4

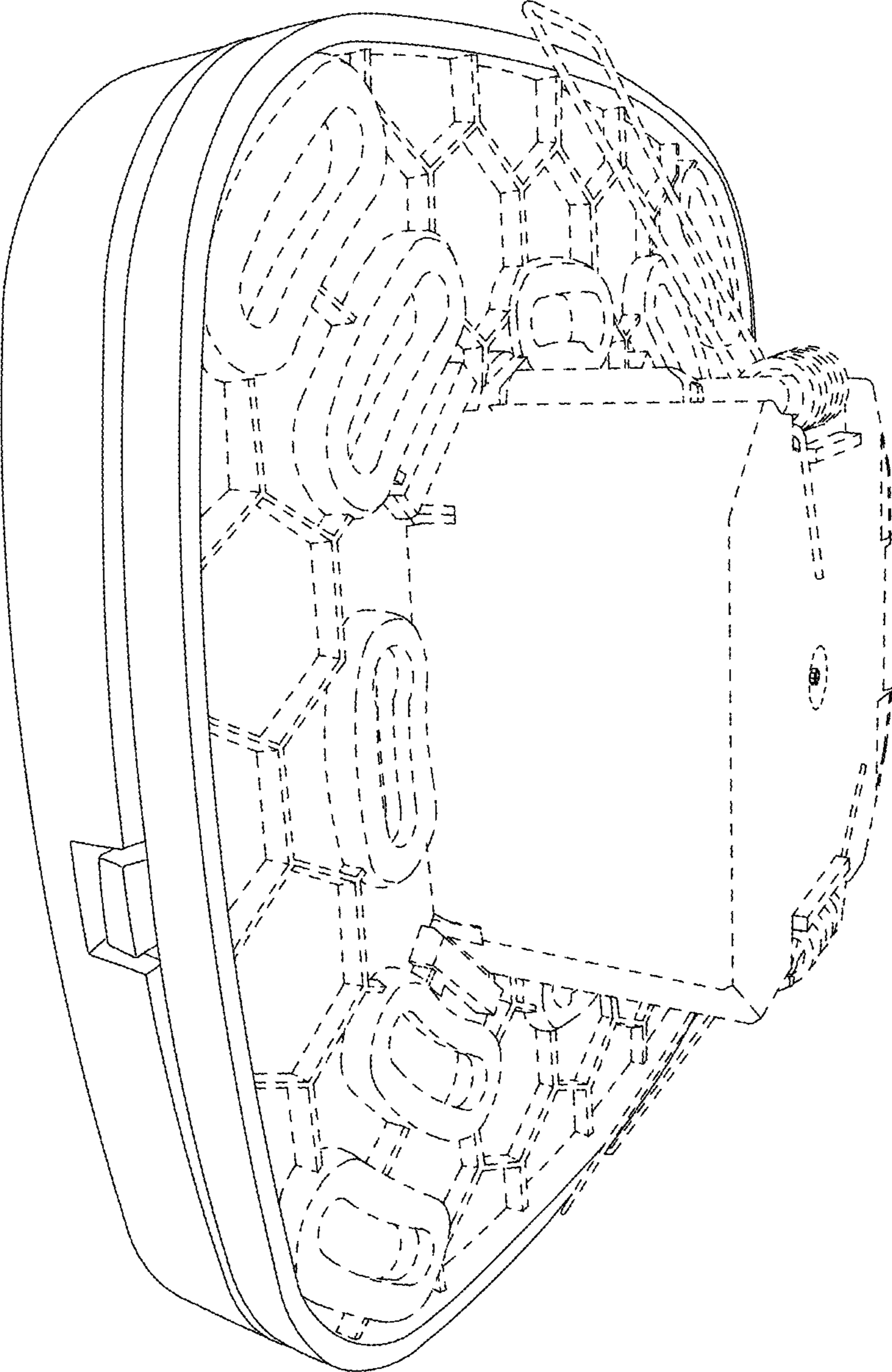


FIG. 5