



US00D717674S

(12) **United States Design Patent**
Vu et al.

(10) **Patent No.:** **US D717,674 S**
(45) **Date of Patent:** **** Nov. 18, 2014**

(54) **ACTIVITY MONITORING DEVICE**

(71) Applicant: **Misfit Wearables Corporation**, Salem, NH (US)

(72) Inventors: **Sonny X. Vu**, Salem, NH (US);
Matthew Ryan Montgomery, Palo Alto, CA (US); **Jessica Ng Sheung-yan**, San Francisco, CA (US)

(73) Assignee: **Misfit Wearables Corporation**, Salem, NH (US)

(**) Term: **14 Years**

(21) Appl. No.: **29/461,314**

(22) Filed: **Jul. 22, 2013**

(51) **LOC (10) Cl.** **10-04**

(52) **U.S. Cl.**
USPC **D10/65; D10/70**

(58) **Field of Classification Search**
CPC G08G 1/096883; G08G 1/096872;
G08G 1/096775; G01C 21/16; G01C 21/3688;
G01C 21/30; G01C 21/265; G01C 21/26;
G01C 21/00; G01C 21/3632; G01C 21/3617;
G01C 25/005; G01C 21/3664; G01P 3/22;
G01P 3/50; G01P 15/18; G06F 3/04
USPC D10/65, 70; D14/138 R, 138 AA,
D14/138 AB, 138 AC, 138 AD, 341–347,
D14/507–510, 136, 167, 168, 496, 498, 499,
D14/500, 125–134, 239, 371, 374–377, 440,
D14/450, 448, 336, 342; 343/702; 345/87,
345/104, 133, 156, 168, 173, 901–905,
345/165; 348/180, 184, 315, 739, 836, 838,
348/325; 364/444, 499; 701/408–418, 431,
701/432, 537, 1, 454, 428, 440, 400, 491,
701/526, 455, 444, 36, 541, 487; 312/7.2;
341/12; 720/605, 669, 600, 655;
369/99, 197; 455/344, 347, 575.1;
250/221, 338.3, 340, 239, 342, 341,
250/DIG. 1, 353, 338.1; 307/116, 117, 9.1,

307/10.1; 340/521, 527, 541, 567, 540,
340/568.2, 539.23, 635, 687, 425.5, 815.4,
340/901, 988, 989, 990, 992, 995.1, 562,
340/815.45; 315/159; 324/72.5, 556, 133,
324/149, 503, 543, 555, 66, 72, 754, 115,
324/141, 522; 73/615, 624, 627, 644,
73/514.33, 514.34, 510, 513, 527, 530;
356/3.01–5.15

See application file for complete search history.

(56) **References Cited**

U.S. PATENT DOCUMENTS

D664,456 S *	7/2012	Trine et al.	D10/70
D668,164 S *	10/2012	Cowles et al.	D10/70
D687,328 S *	8/2013	Clymer et al.	D10/70
D692,332 S *	10/2013	Ni et al.	D10/70
D700,080 S *	2/2014	Broadbent et al.	D10/65

* cited by examiner

Primary Examiner — Antoine D Davis

(74) *Attorney, Agent, or Firm* — Cooley LLP

(57) **CLAIM**

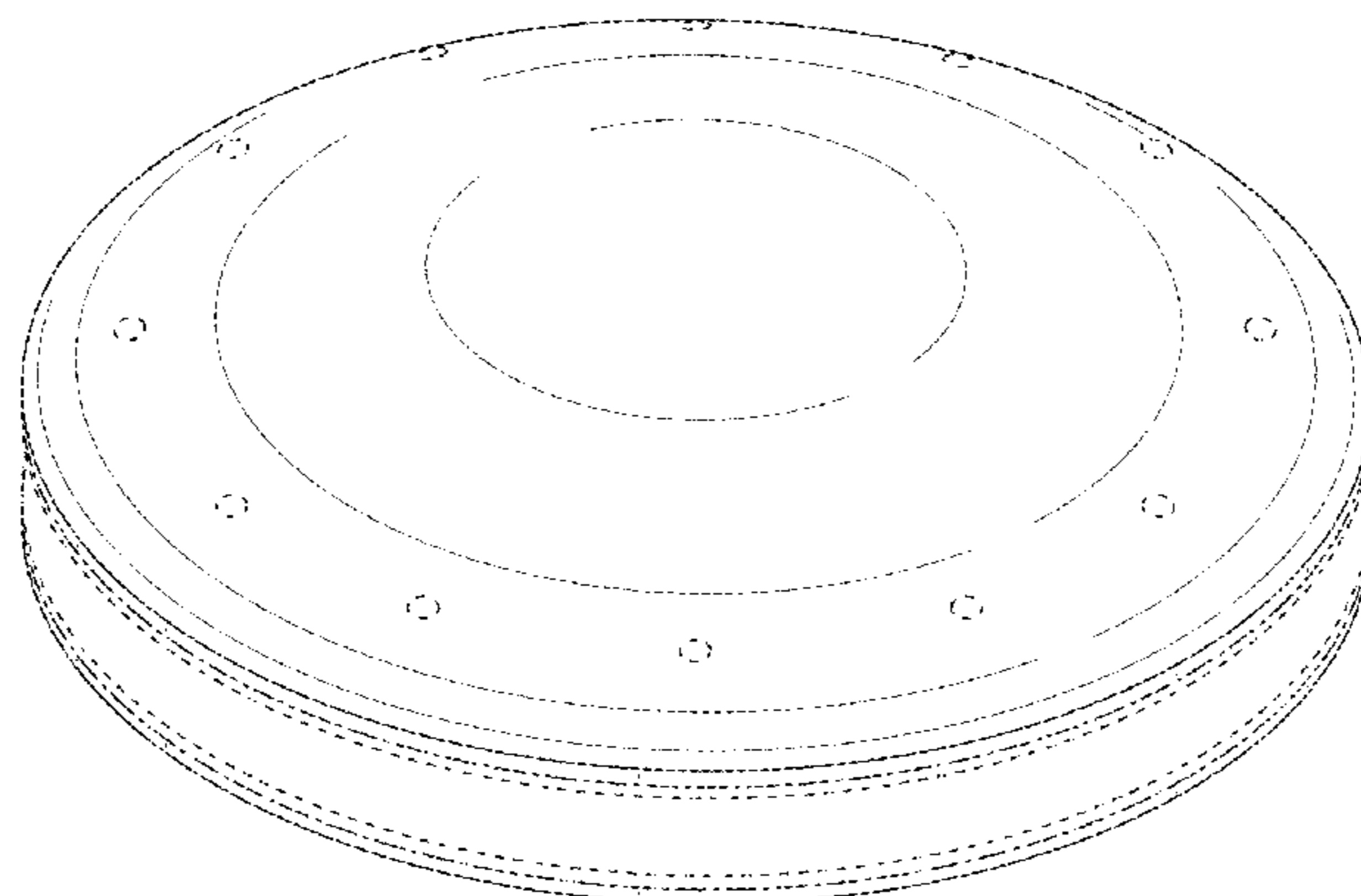
The ornamental design for an activity monitoring device, as shown and described.

DESCRIPTION

FIG. 1 is a top perspective view thereof;
FIG. 2 is a bottom perspective view thereof;
FIG. 3 is a top view thereof;
FIG. 4 is a bottom view thereof;
FIG. 5 is a side view thereof;
FIG. 6 is a back view thereof; and,
FIG. 7 is a front view thereof.

The broken lines immediately adjacent the shaded areas represent the bounds of the claimed design while all other broken lines are directed to environment and are for illustrative purposes only; the broken lines form no part of the claimed design.

1 Claim, 6 Drawing Sheets



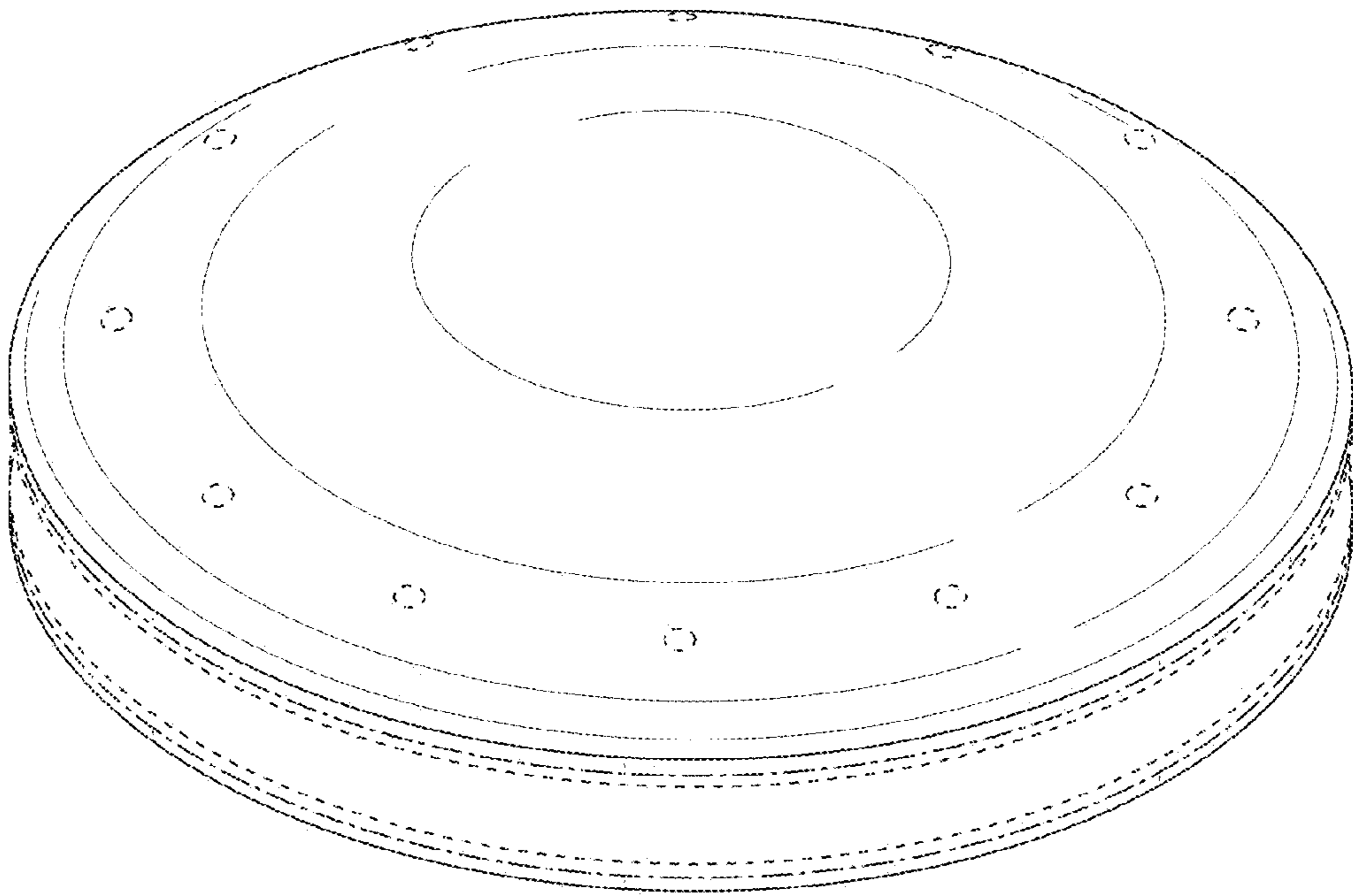


FIG. 1

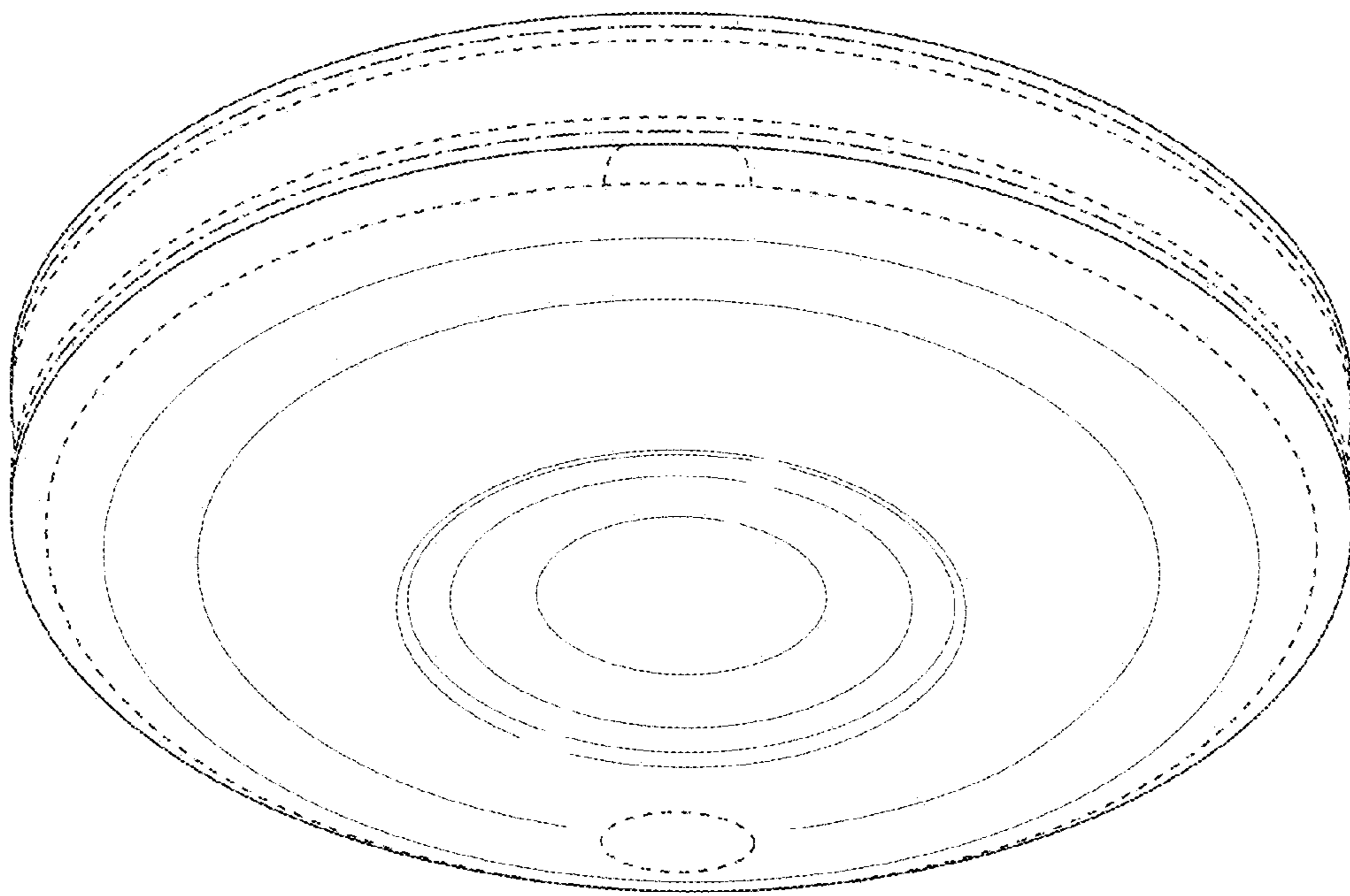


FIG. 2

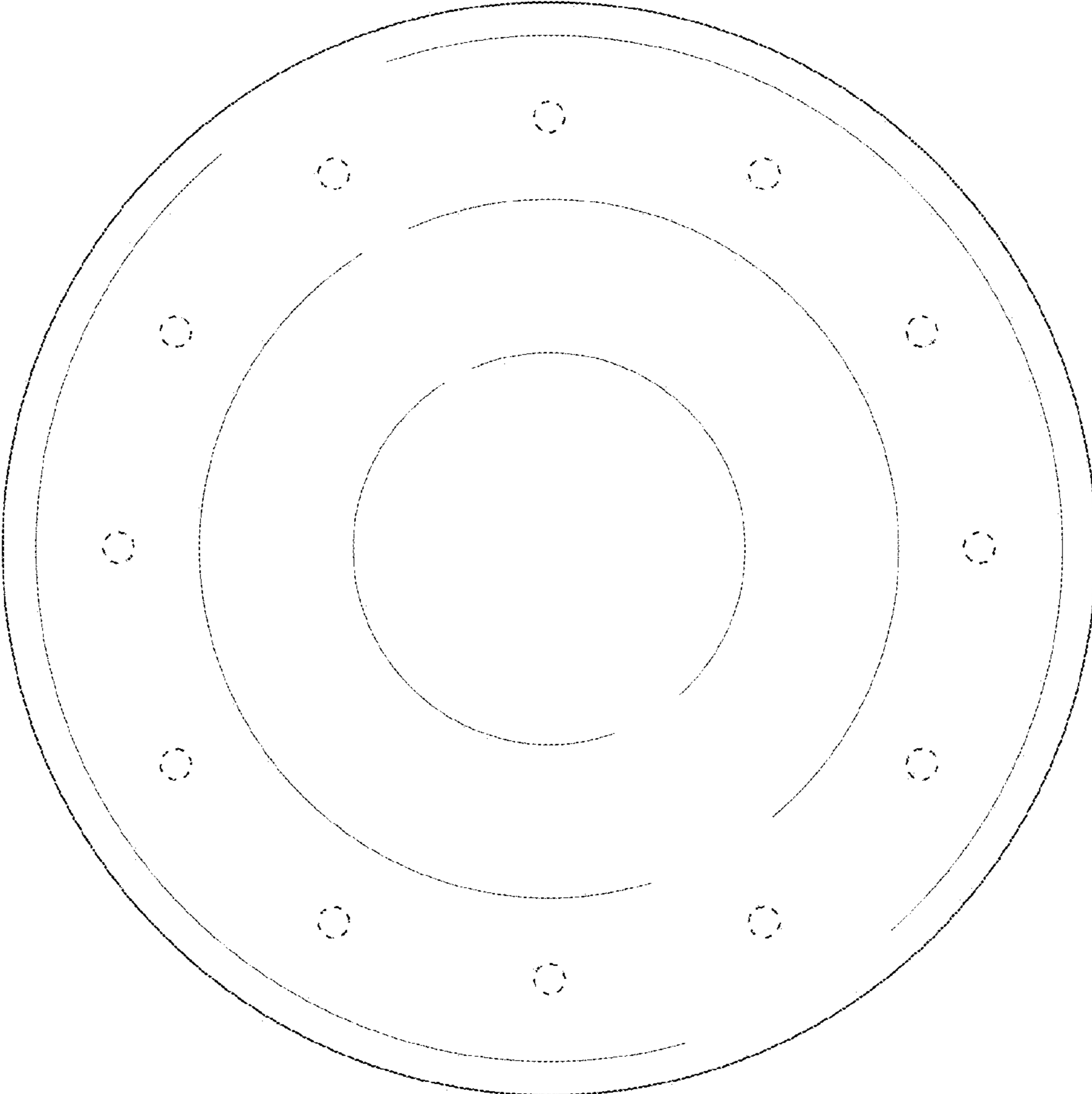


FIG. 3

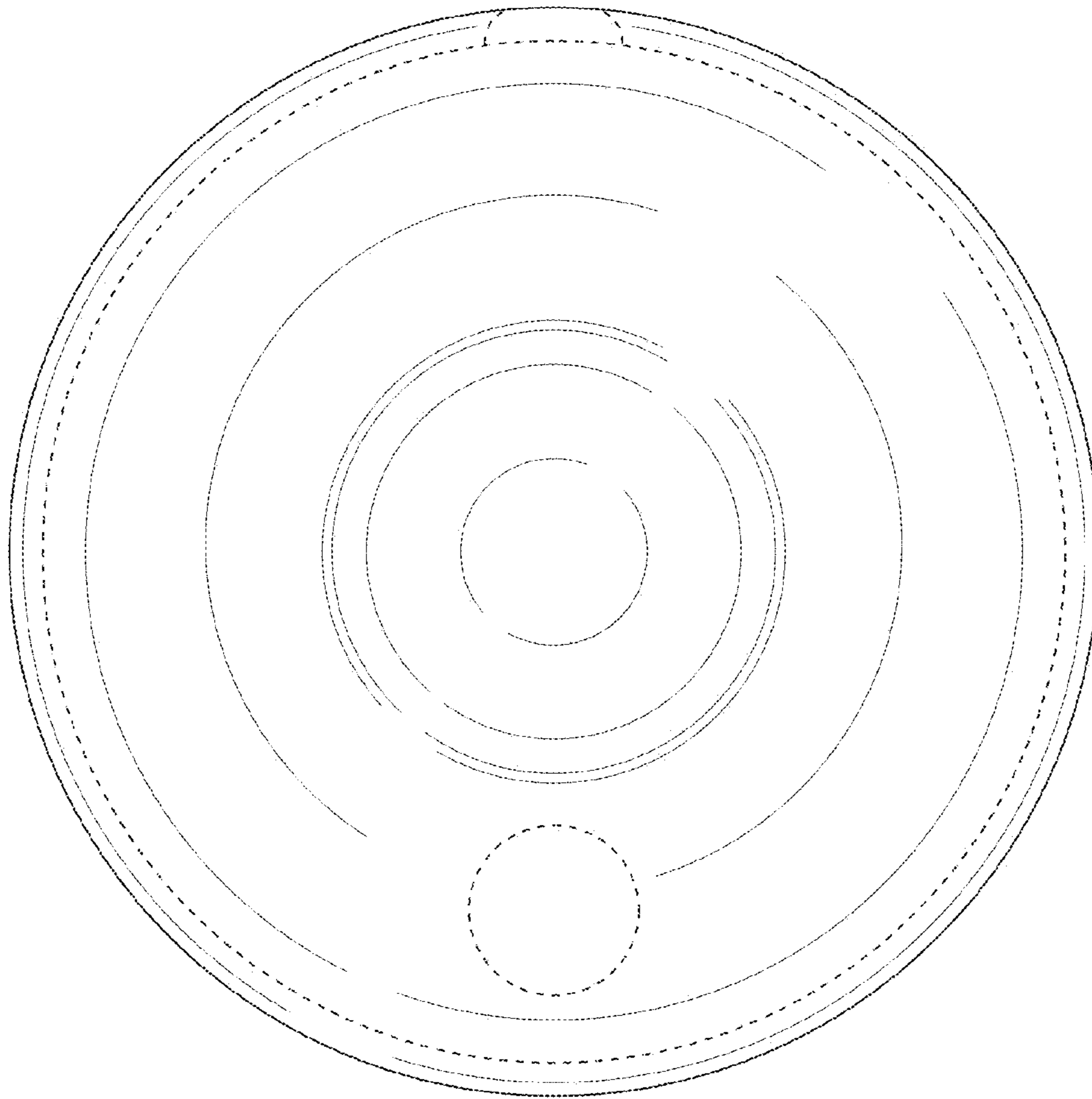


FIG. 4

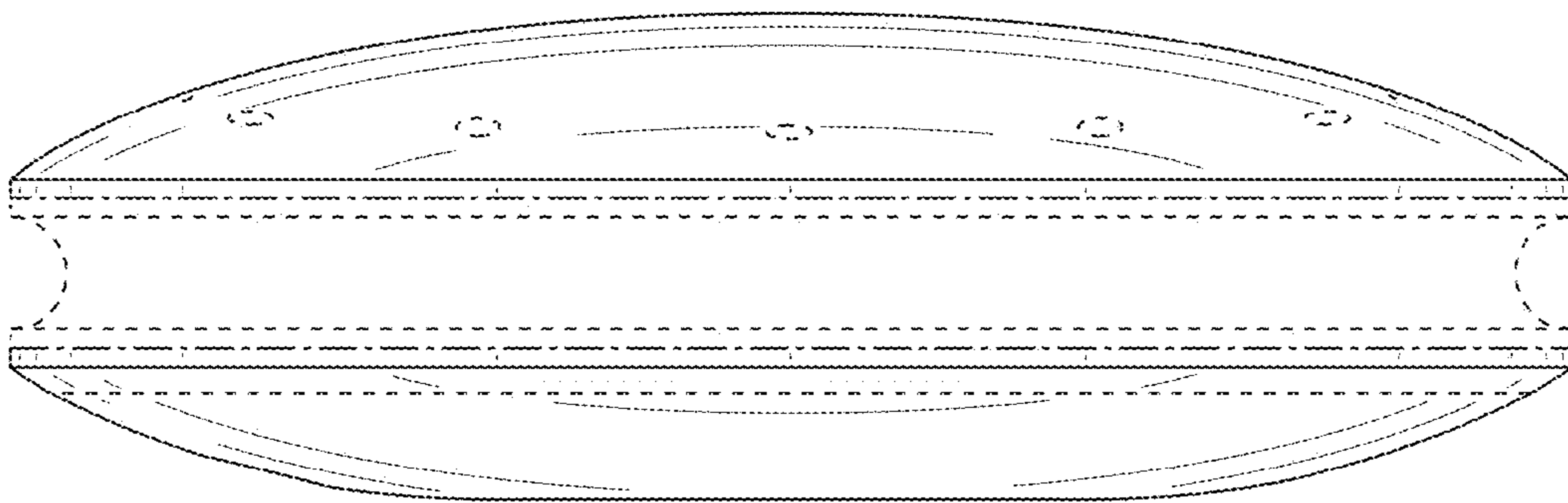


FIG. 5

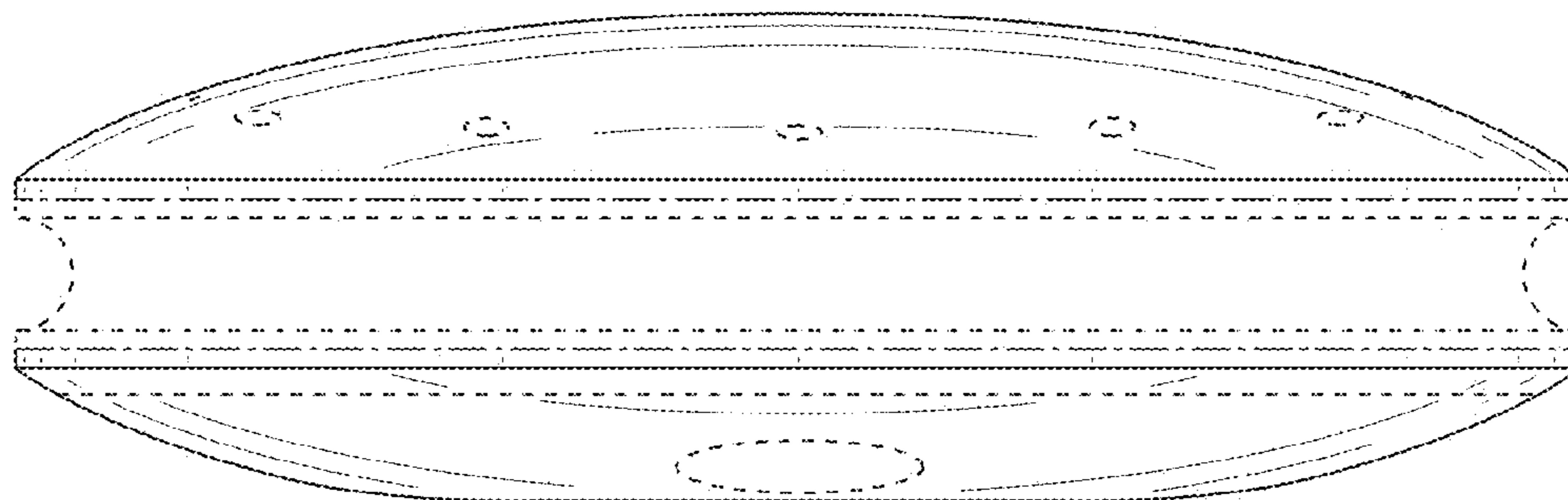


FIG. 6

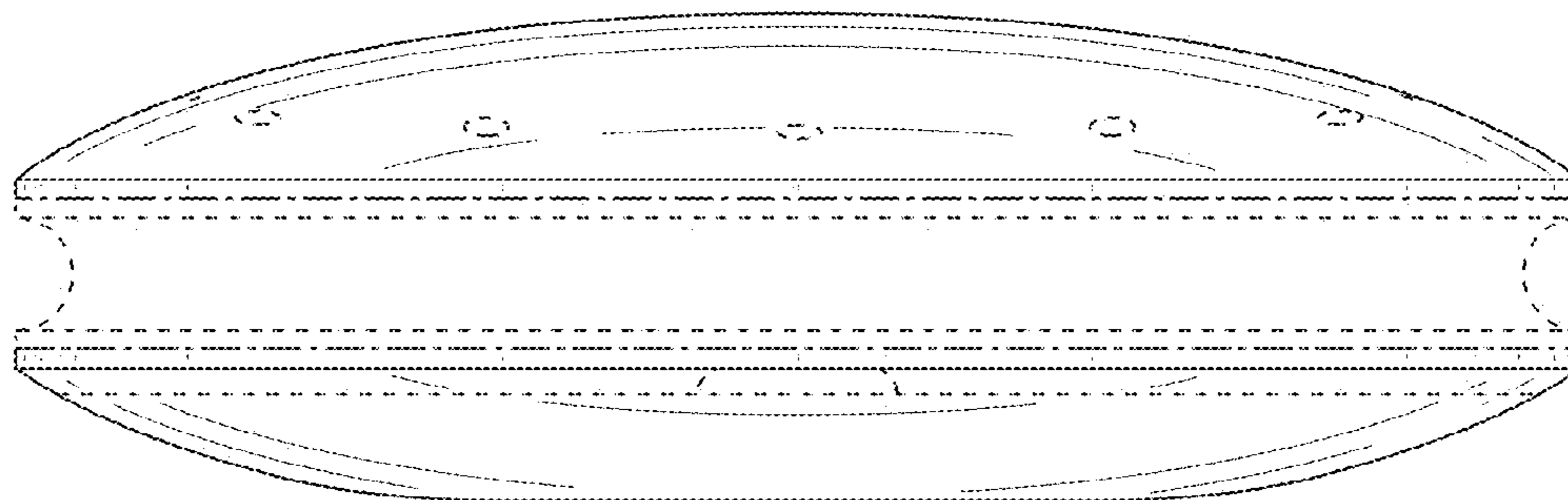


FIG. 7