



US00D717673S

(12) **United States Design Patent**
Eyring et al.

(10) **Patent No.:** **US D717,673 S**

(45) **Date of Patent:** **** Nov. 18, 2014**

(54) **THERMOSTAT**

(71) Applicant: **Orbit Irrigation Products, Inc.**, North Salt Lake, UT (US)

(72) Inventors: **Stuart Eyring**, Bountiful, UT (US);
Karl L. Connolly, Bountiful, UT (US);
Landon T. Gwilliam, Stanford, CA (US)

(73) Assignee: **Orbit Irrigation Products, Inc.**, North Salt Lake, UT (US)

(**) Term: **14 Years**

(21) Appl. No.: **29/488,497**

(22) Filed: **Apr. 19, 2014**

Related U.S. Application Data

(63) Continuation of application No. 29/446,426, filed on Feb. 22, 2013, now Pat. No. Des. 705,094.

(51) **LOC (10) Cl.** **10-04**

(52) **U.S. Cl.**
USPC **D10/50; D10/103**

(58) **Field of Classification Search**

CPC F23N 5/20; F23N 5/203; F23N 5/206; F23N 5/18; F23N 5/184; F23N 5/187; F23N 5/22; F23N 2025/12; F23N 2041/02; F24F 11/00; F24F 11/0012; F24F 11/0009; F24F 11/001; F24F 2011/0057; F24F 2011/0073; F24F 2011/0091
USPC D10/49-50, 103; D13/162; 55/279, 55/DIG. 7; 62/176.6, 125-130, 78, 180, 62/186; 73/23.2, 23.34, 31.01, 31.02, 431, 73/170.16-170.19, 170.21-170.25, 73/863.12, 29.02, 335.01-335.14; 220/3.2; 236/46 R, 47, 94, 44 C, 44 R, 236/49.3, 44 A, 96, 1 B, 1 C, 1 E, 1 EA, 1 EB, 236/1 F, 1 G, 1 H, 9 R; 337/112, 327, 360; 340/602, 627, 632, 634; 349/56-72; 454/229, 239, 256, 257, 258; 700/18, 700/159, 181, 276, 277, 278

See application file for complete search history.

(56) **References Cited**

U.S. PATENT DOCUMENTS

D676,768 S * 2/2013 Eyring et al. D10/50
D676,769 S 2/2013 Eyring et al.
D679,205 S * 4/2013 Eyring et al. D10/50
D705,094 S 5/2014 Eyring et al.

OTHER PUBLICATIONS

The products shown in Attachment A accompanying this submission were sold or offered for sale on or before Jul. 10, 2011.

(Continued)

Primary Examiner — Antoine D Davis

(74) *Attorney, Agent, or Firm* — Austin, Rapp & Hardman

(57) **CLAIM**

The ornamental design for a thermostat, as shown and described.

DESCRIPTION

FIG. 1 is an elevated perspective view of an embodiment of a thermostat, according to our new design;

FIG. 2 is a front view of the embodiment of the thermostat shown in FIG. 1;

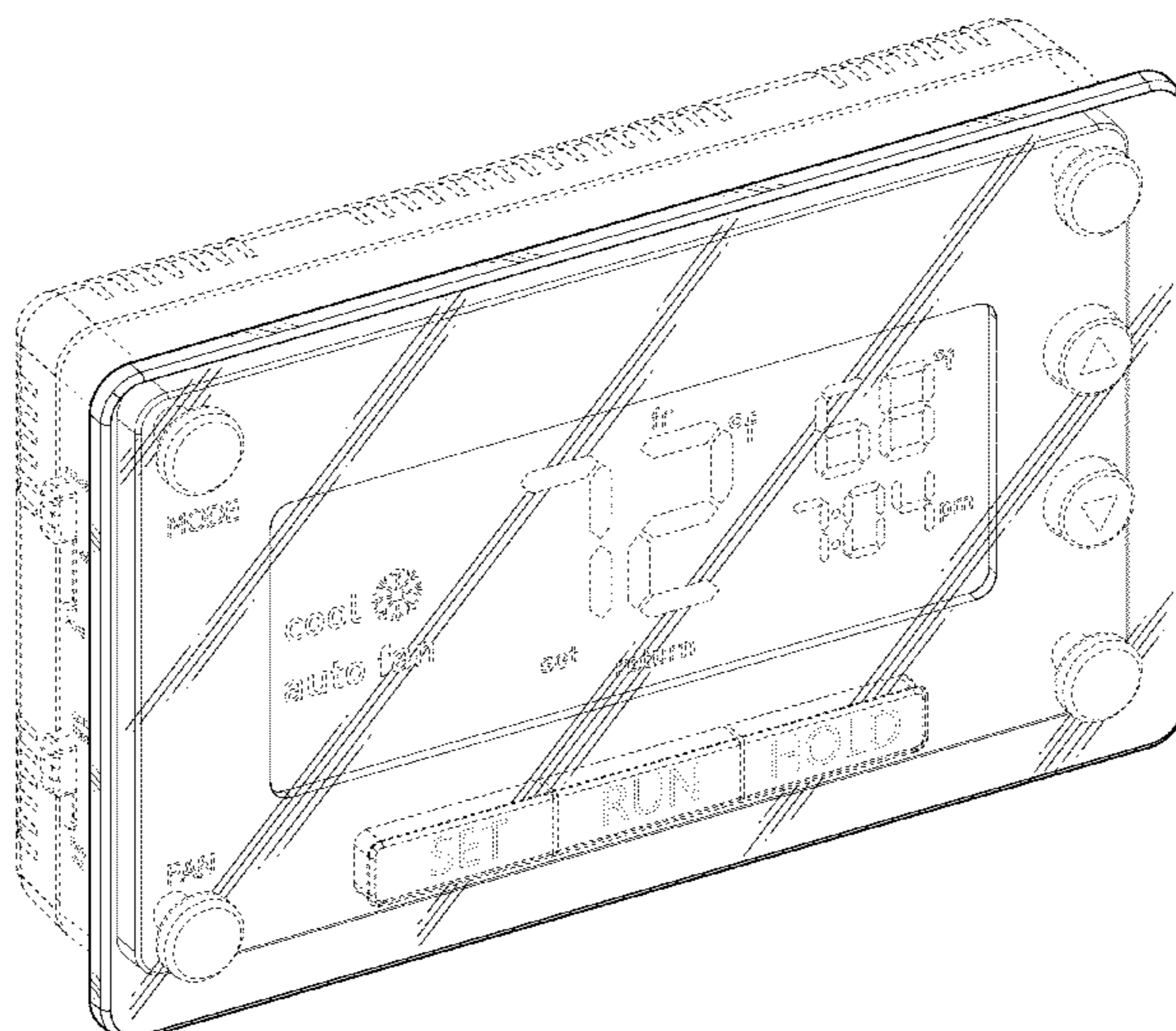
FIG. 3 is a top view of the embodiment of the thermostat shown in FIG. 1 (a bottom view of the embodiment of the thermostat of FIG. 1 is omitted as the bottom view is a mirror image of the top view);

FIG. 4 is first side view of the embodiment of the thermostat shown in FIG. 1; and,

FIG. 5 is a second side view of the embodiment of the thermostat shown in FIG. 1.

The portions shown in broken lines comprise environmental structure only and form no part of the claimed design.

1 Claim, 2 Drawing Sheets



(56)

References Cited

OTHER PUBLICATIONS

U.S. Appl. No. 29/426,884 and the associated file history.

U.S. Appl. No. 29/426,890 and the associated file history.

U.S. Appl. No. 29/426,892 and the associated file history.

U.S. Appl. No. 29/446,426 and the associated file history.

The product illustrated in Attachment B was sold or offered for sale at least by Oct. 2, 2013.

* cited by examiner

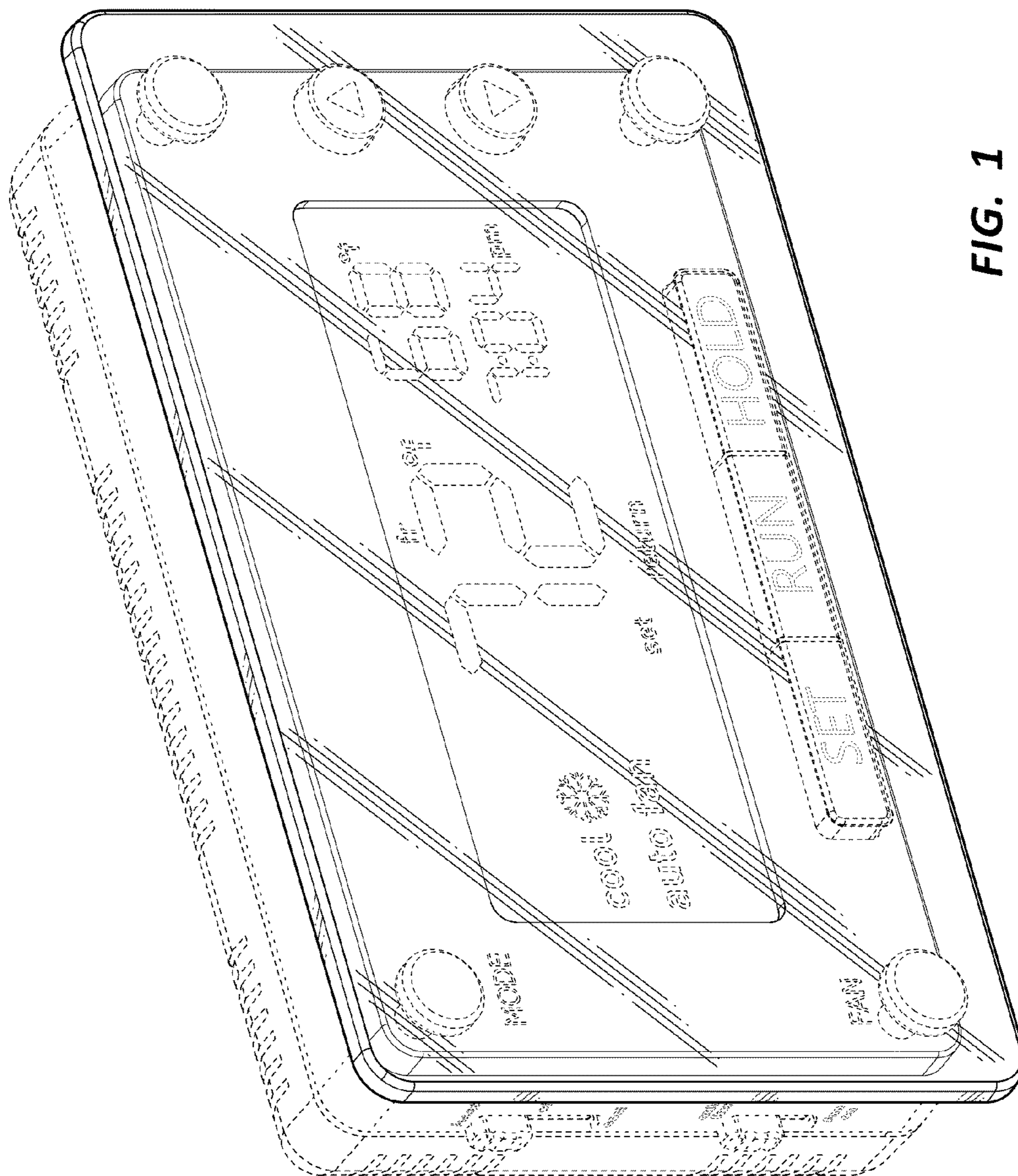


FIG. 1

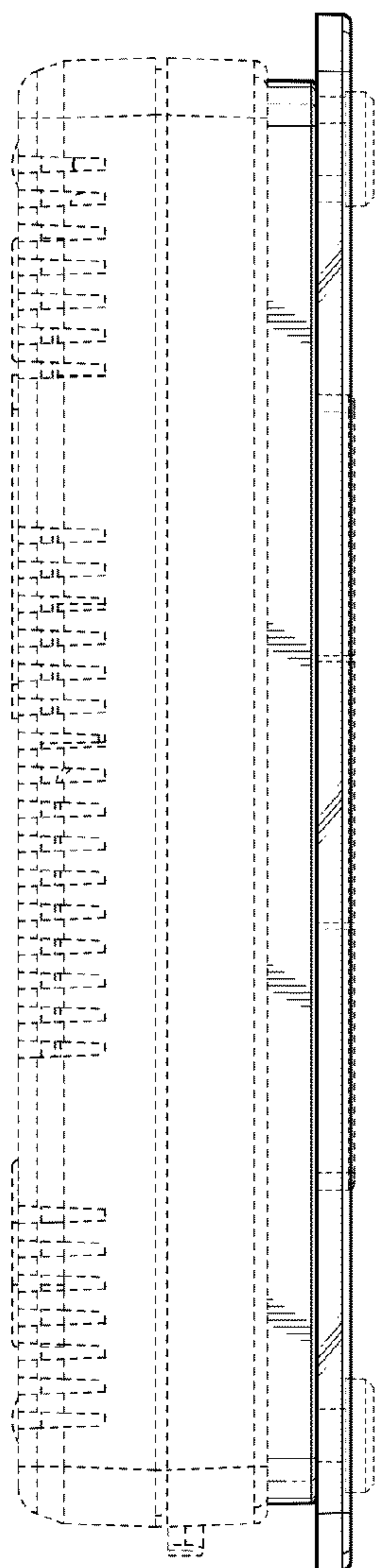


FIG. 3

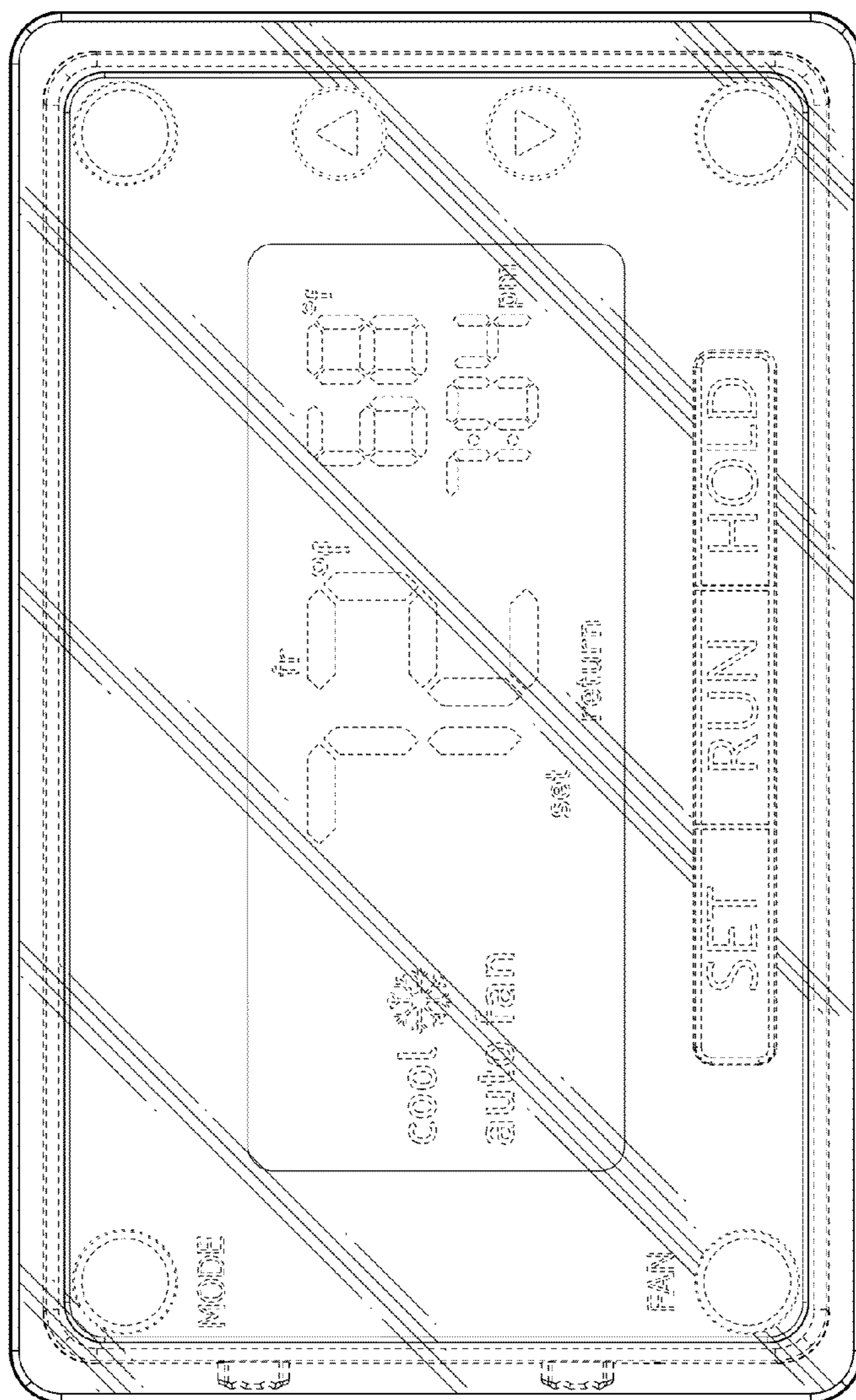


FIG. 4

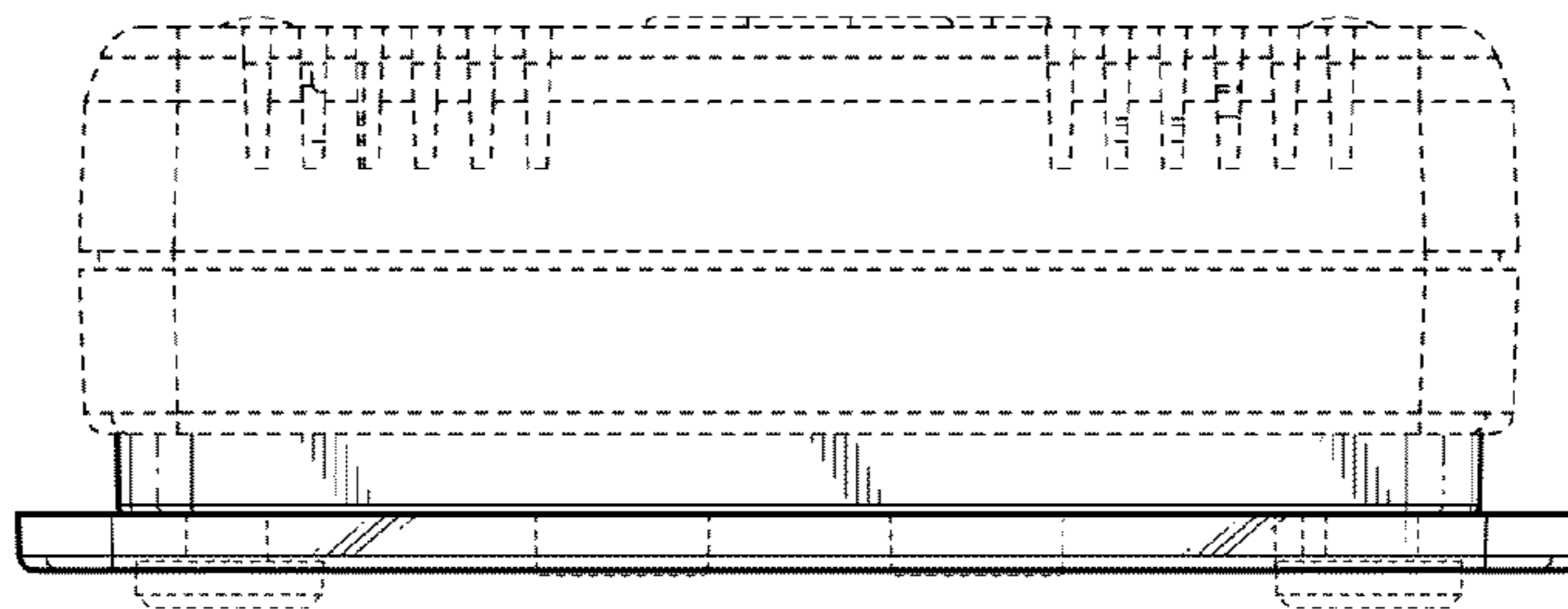


FIG. 5