



US00D717665S

(12) **United States Design Patent**
Dubitsky et al.

(10) **Patent No.:** **US D717,665 S**
(45) **Date of Patent:** **** Nov. 18, 2014**

(54) **SPRAY BOTTLE**

(71) Applicants: **Craig Dubitsky**, Montclair, NJ (US);
Matthew E. Chrostowski, Agoura Hills,
CA (US); **Elisabeth Schwartz**, Munich
(DE); **Peter Falt**, Thousand Oaks, CA
(US); **Philip D'Andrea**, Williamsville,
NY (US)

(72) Inventors: **Craig Dubitsky**, Montclair, NJ (US);
Matthew E. Chrostowski, Agoura Hills,
CA (US); **Elisabeth Schwartz**, Munich
(DE); **Peter Falt**, Thousand Oaks, CA
(US); **Philip D'Andrea**, Williamsville,
NY (US)

(73) Assignee: **Hello Products, LLC**, Montclair, NJ
(US)

(**) Term: **14 Years**

(21) Appl. No.: **29/448,787**

(22) Filed: **Mar. 13, 2013**

(51) **LOC (10) Cl.** **09-01**

(52) **U.S. Cl.**
USPC **D9/689**

(58) **Field of Classification Search**
CPC ... A45D 34/00; A45D 34/02; A45D 40/0075;
B05B 11/3001; B05B 11/3052; B05B
11/3053; B05B 11/0037; B05B 11/0038;
B65D 83/205; B65D 83/206; B65D 83/14;
B65D 83/20; B65D 83/22; B65D 83/228;
B65D 83/40
USPC D9/682–694, 500–504, 723–727, 516,
D9/517, 519, 521, 529, 434–436, 445,
D9/448; D28/76, 77, 88, 89, 91.1;
222/153.1–153.14, 631, 635, 321.1,
222/321.6–321.9, 372, 373, 378, 383.1,
222/385, 401, 402, 402.13

See application file for complete search history.

(56) **References Cited**

U.S. PATENT DOCUMENTS

D169,984	S	*	7/1953	Miller	D9/691
D196,686	S	*	10/1963	Croyle	D9/448
3,178,071	A	*	4/1965	Gentoso	222/402.13
D211,152	S	*	5/1968	Fuerst	D9/500
D261,105	S	*	10/1981	Schwartz	D9/504
D273,766	S	*	5/1984	Lampe	D9/504
D328,025	S	*	7/1992	Farricielli	D9/691
5,477,990	A	*	12/1995	Saito et al.	222/153.04
6,260,738	B1	*	7/2001	Kerr et al.	222/402.13
6,302,302	B1	*	10/2001	Albisetti	222/153.11
D456,266	S	*	4/2002	Cross et al.	D9/504
D459,226	S	*	6/2002	Guarnieri	D9/435
D469,008	S	*	1/2003	Helmlinger	D9/689
RE38,077	E	*	4/2003	Cohen et al.	239/333
6,655,552	B2	*	12/2003	Aiken et al.	222/146.3

(Continued)

FOREIGN PATENT DOCUMENTS

EM	000768445-0003	*	8/2007
KR	300508590.0000	*	10/2008
KR	300683577.0000	*	3/2013

Primary Examiner — Catherine Tuttle

(74) *Attorney, Agent, or Firm* — Fross Zelnick Lehrman &
Zissu, P.C.; Lawrence E. Apolzon, Esq.

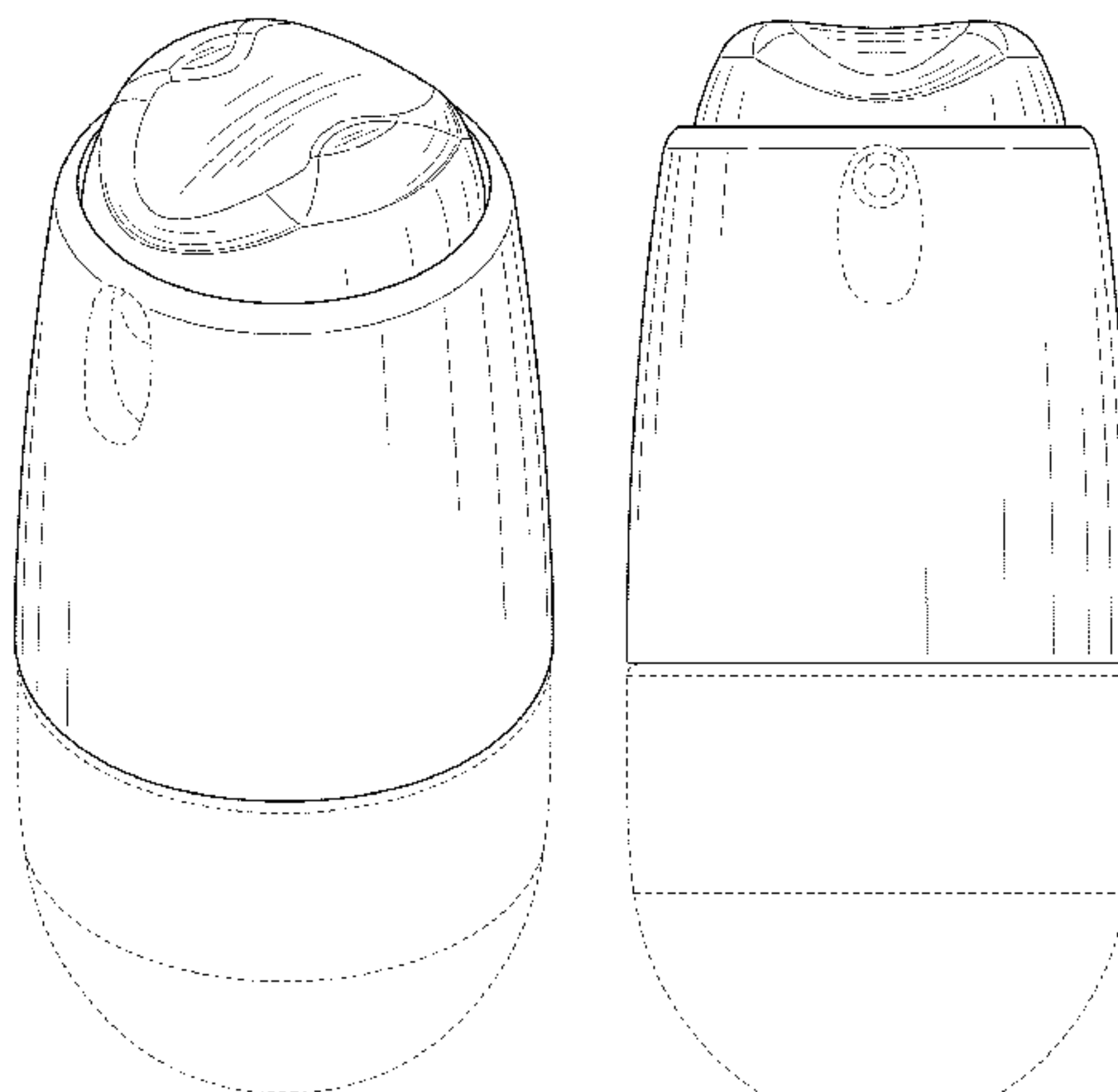
(57) **CLAIM**

The ornamental design for a spray bottle, as shown and
described.

DESCRIPTION

FIG. 1 is a front perspective view of the spray bottle showing
our new design;
FIG. 2 is a front elevation view thereof;
FIG. 3 is a rear elevation view thereof;
FIG. 4 is a left side elevation view thereof, the opposing side
view being a mirror image of the side shown;
FIG. 5 is a top plan view thereof; and,
FIG. 6 is a bottom plan view thereof.
The broken lines are included for the purpose of illustrating
the portions of the spray bottle that form no part of the
claimed design.

1 Claim, 3 Drawing Sheets



(56)

References Cited

U.S. PATENT DOCUMENTS

D484,794 S *	1/2004	Geardino et al.	D9/726	D561,024 S *	2/2008	Altonen et al.	D9/448
6,905,049 B1 *	6/2005	Lambert	222/321.7	D561,027 S *	2/2008	Nguyen	D9/500
D507,753 S *	7/2005	Lamb et al.	D9/689	D586,216 S *	2/2009	Crawford	D9/516
D538,668 S *	3/2007	Campbell et al.	D9/529	D608,655 S *	1/2010	Brewer et al.	D9/689
D540,170 S *	4/2007	Canamasas Puigbo	D9/504	D639,180 S *	6/2011	Shiota et al.	D9/689
D544,351 S *	6/2007	Dittmer et al.	D9/504	D641,250 S *	7/2011	Daniels et al.	D9/666
D548,084 S *	8/2007	Dittmer et al.	D9/504	D656,023 S *	3/2012	Baker et al.	D9/448
				D658,072 S *	4/2012	Davis et al.	D9/689
				D704,070 S *	5/2014	Pires et al.	D9/689
				2013/0112771 A1 *	5/2013	Ki et al.	239/102.2

* cited by examiner

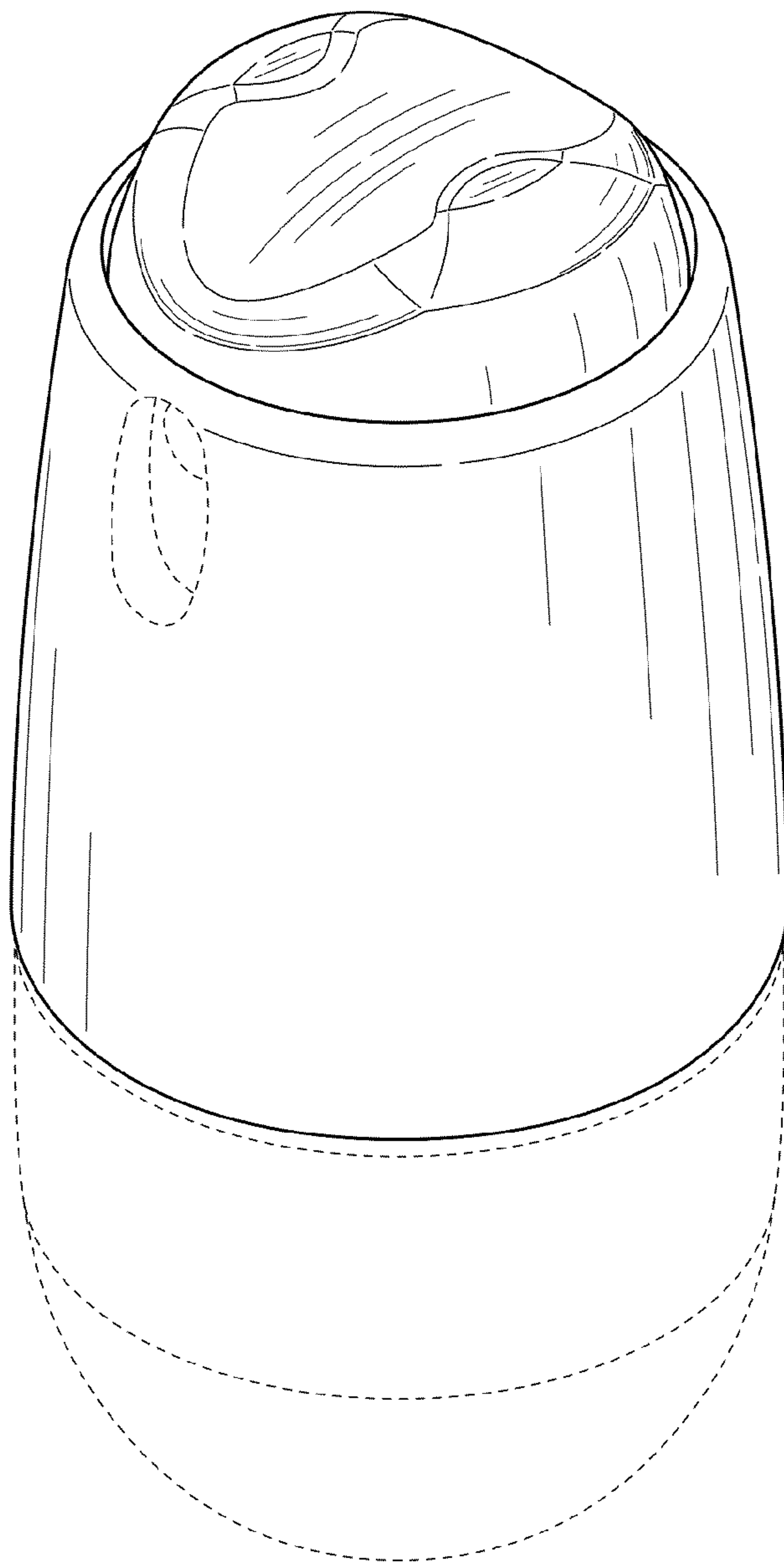


FIG. 1

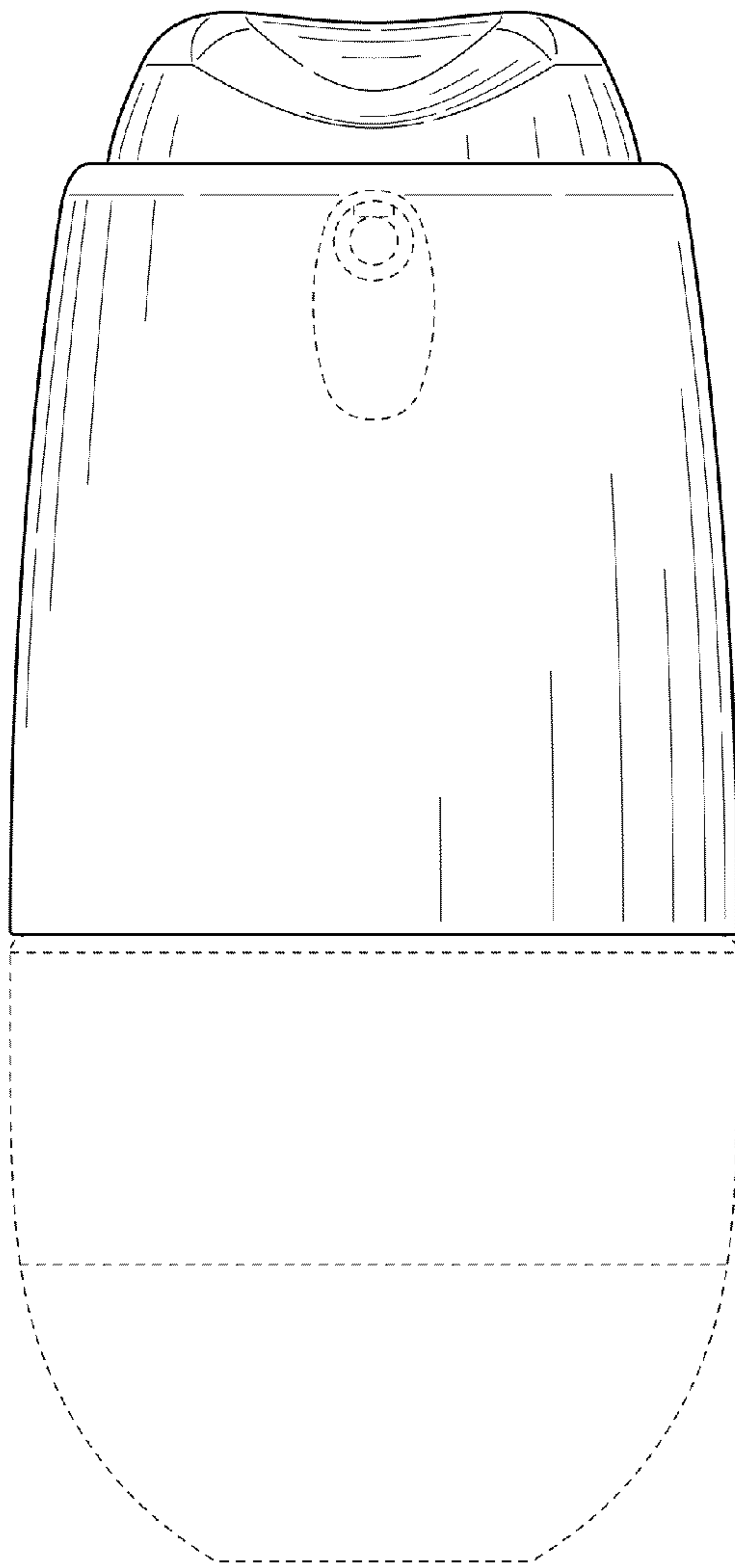


FIG. 2

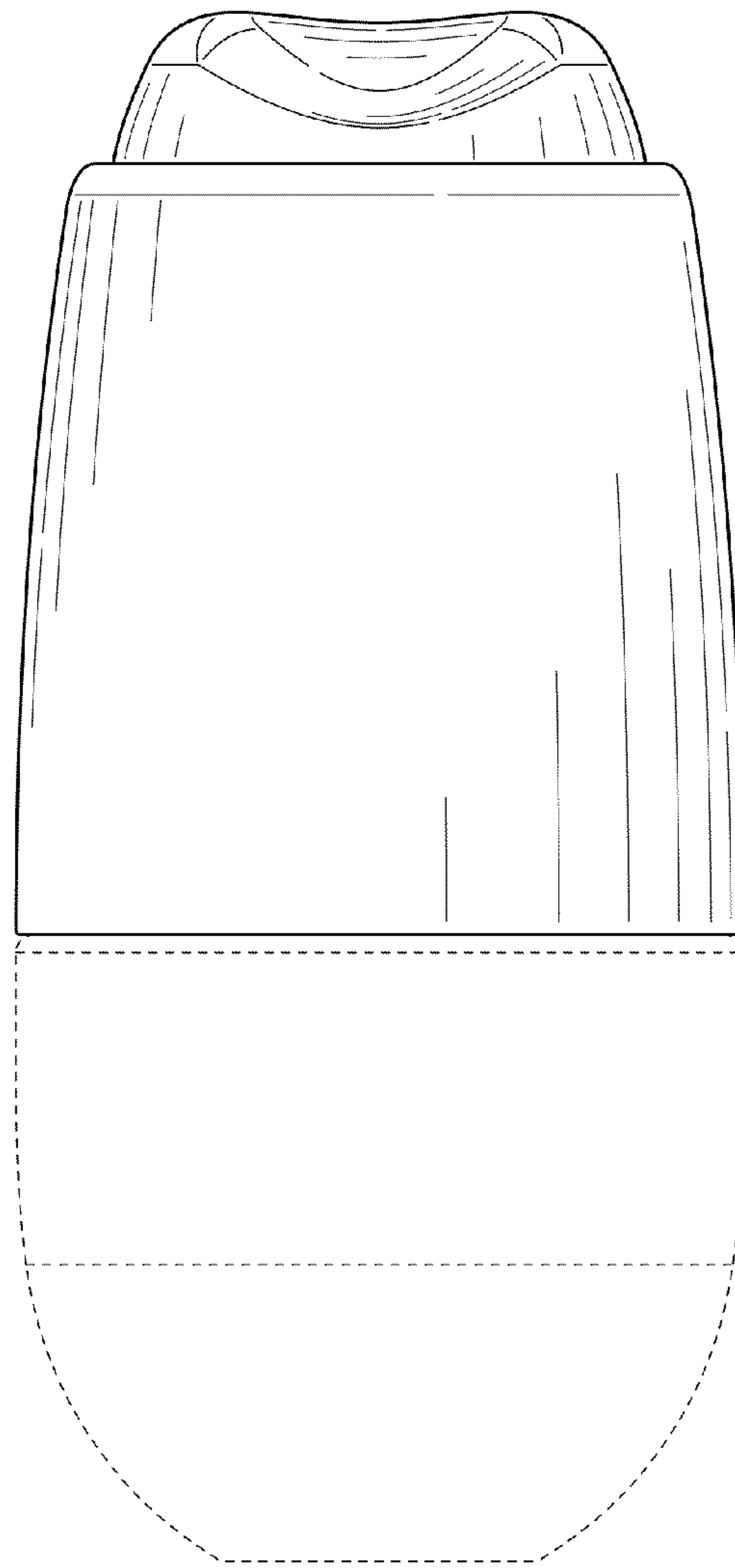


FIG. 3

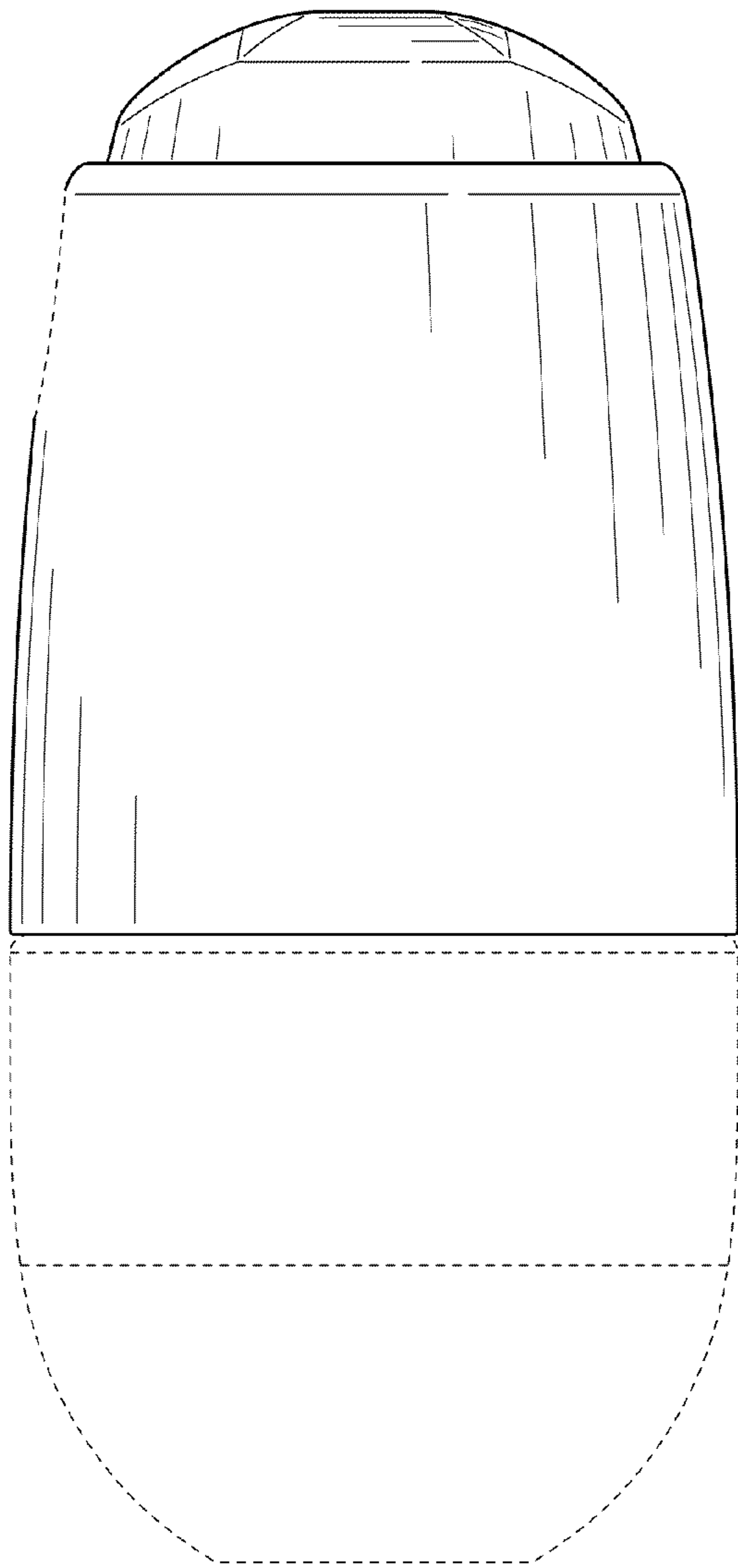


FIG. 4

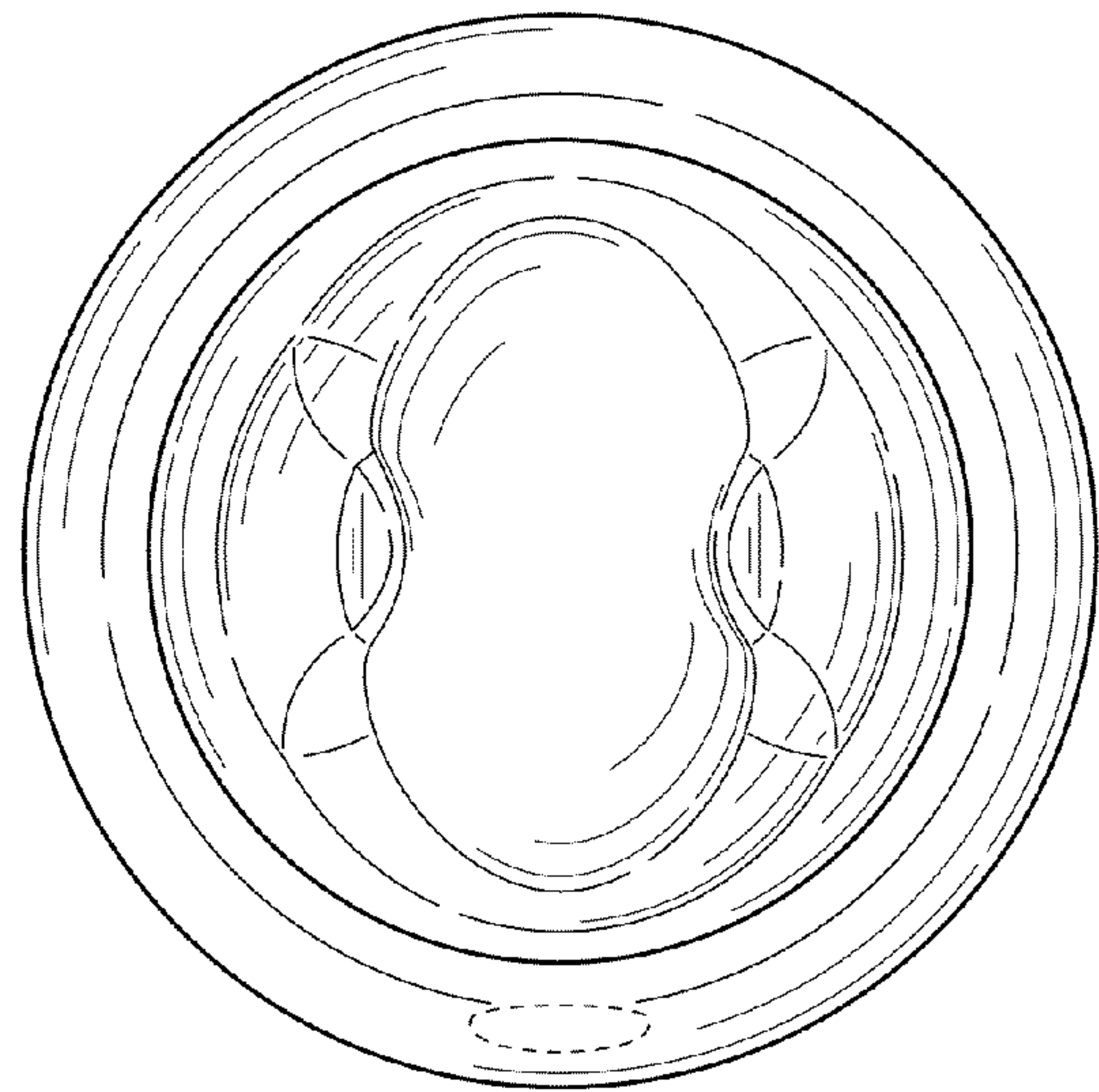


FIG. 5

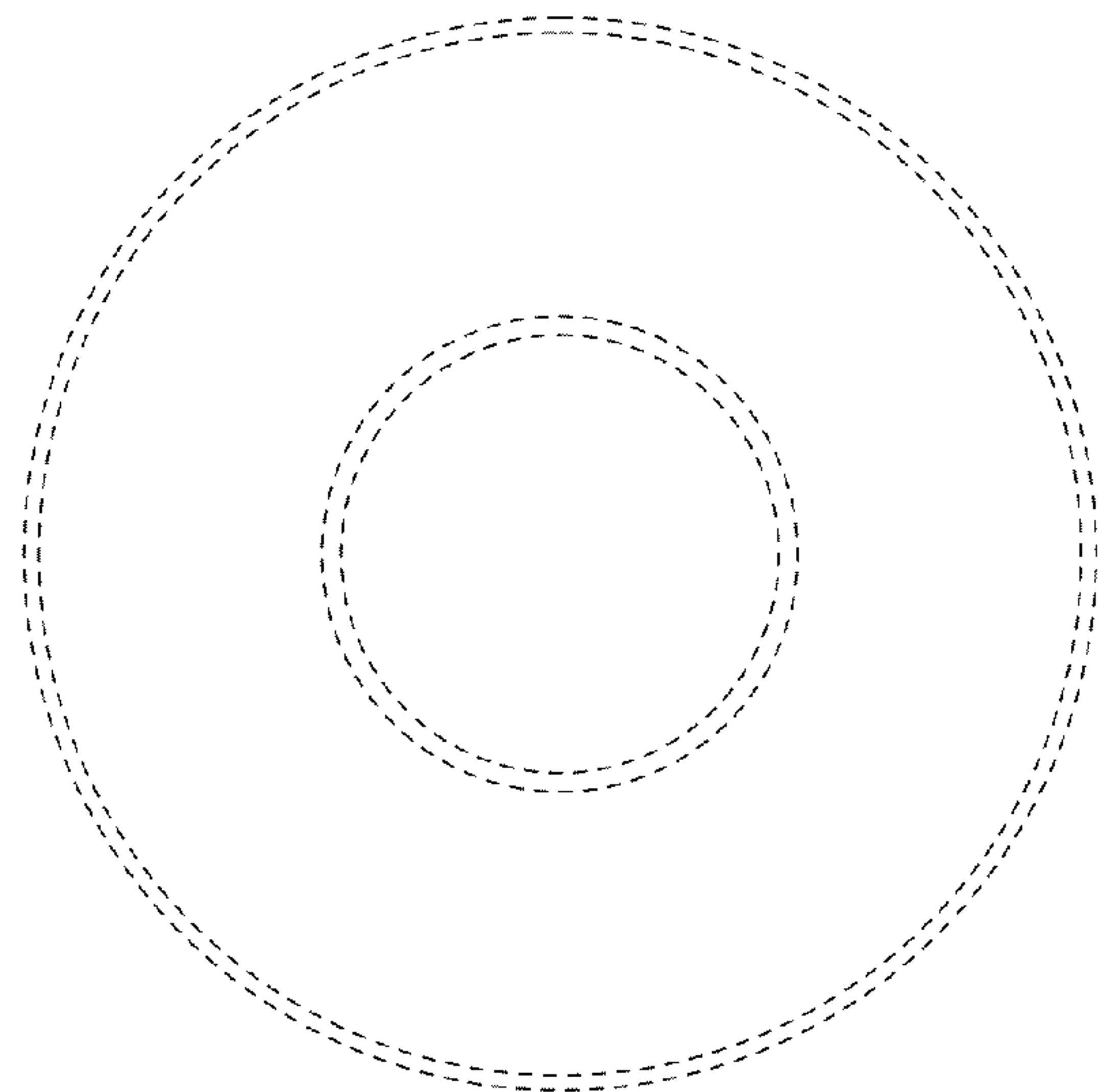


FIG. 6