



US00D717661S

(12) **United States Design Patent**
McIntire et al.

(10) **Patent No.:** **US D717,661 S**

(45) **Date of Patent:** **** Nov. 18, 2014**

(54) **JAR**

(71) Applicant: **The Clorox Company**, Oakland, CA
(US)

(72) Inventors: **Brett David McIntire**, Pleasanton, CA
(US); **Matthias Palm**, Pleasanton, CA
(US); **Kristina Michelle Punwani**,
Oakland, CA (US); **Raul Sales**
Bazaldua, Monterrey Nuevo Leon (MX)

(73) Assignee: **The Clorox Company**, Oakland, CA
(US)

(**) Term: **14 Years**

(21) Appl. No.: **29/446,004**

(22) Filed: **Feb. 19, 2013**

(51) **LOC (10) Cl.** **09-01**

(52) **U.S. Cl.**
USPC **D9/560; D9/571**

(58) **Field of Classification Search**
CPC B65D 1/00; B65D 1/02; B65D 1/0207;
B65D 1/0223; B65D 1/0246
USPC D9/516, 559-560, 566, 571-574,
D9/686-687, 694; 215/379, 381-382;
220/660, 675

See application file for complete search history.

(56) **References Cited**

U.S. PATENT DOCUMENTS

D267,076 S *	11/1982	Hurtig	D9/520
D270,331 S *	8/1983	Benson	D9/520
D320,155 S *	9/1991	Plochman et al.	D9/520
D491,069 S *	6/2004	Heliste et al.	D9/560
D511,943 S *	11/2005	Betras	D7/624.2
D512,276 S *	12/2005	Betras	D7/624.2
D537,727 S *	3/2007	Hutton	D9/560
D548,092 S *	8/2007	Klemm	D9/520
D656,405 S *	3/2012	Byron	D9/560

* cited by examiner

Primary Examiner — Ian Simmons

Assistant Examiner — Dana L Meyrow

(74) *Attorney, Agent, or Firm* — Ann Lee

(57) **CLAIM**

We claim the ornamental design for a jar, as shown and described.

DESCRIPTION

FIG. 1 is a top perspective view of a jar, showing our new design;

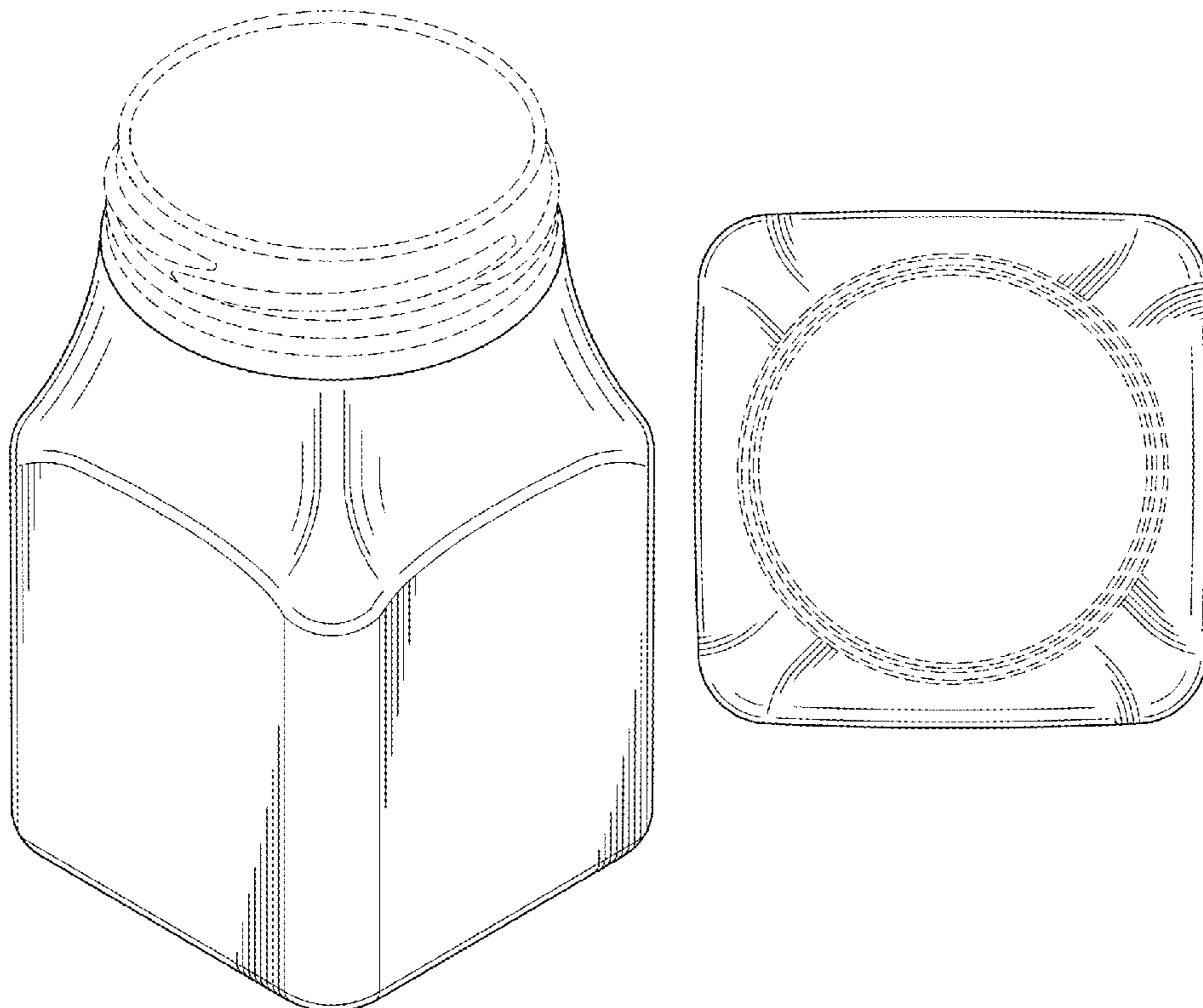
FIG. 2 is a top plan view thereof;

FIG. 3 is a bottom plan view thereof; and,

FIG. 4 is a front side elevation view thereof; the back side elevation view, right side elevation view, and left side elevation view thereof being the same.

The phantom lining shown in broken lines in the drawing is for illustrative purposes only and forms no part of the claimed design.

1 Claim, 2 Drawing Sheets



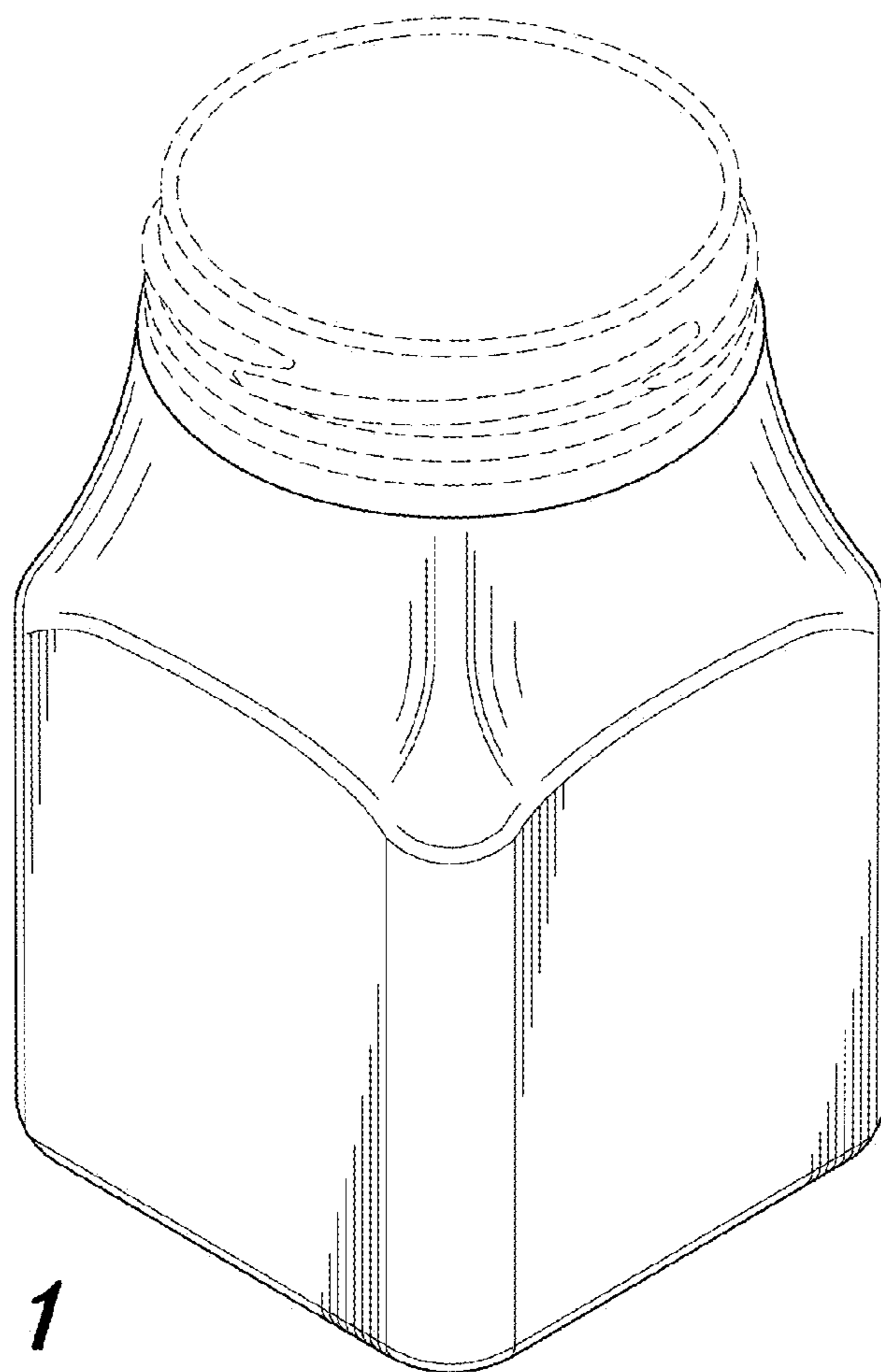


FIG. 1

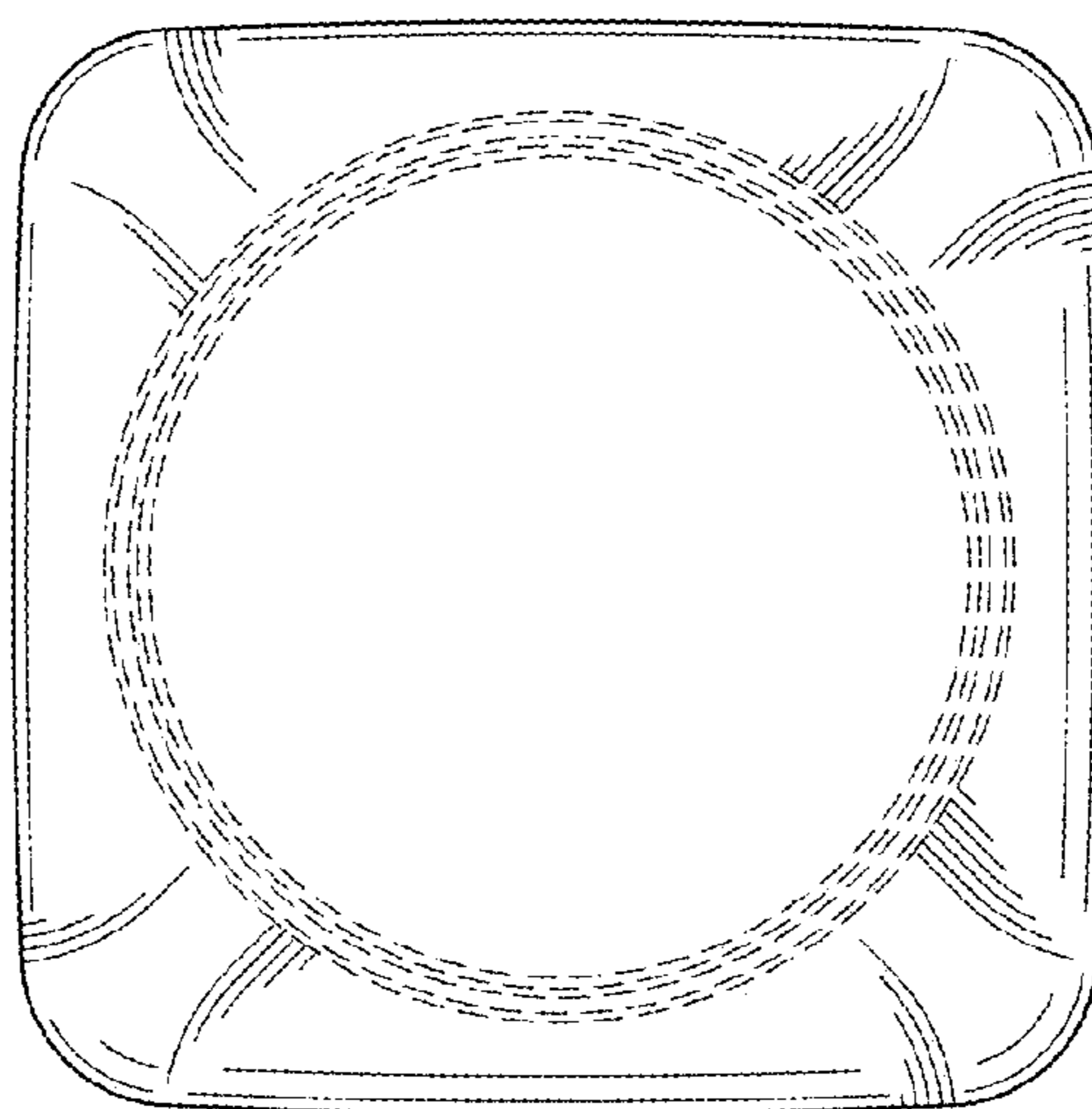


FIG. 2

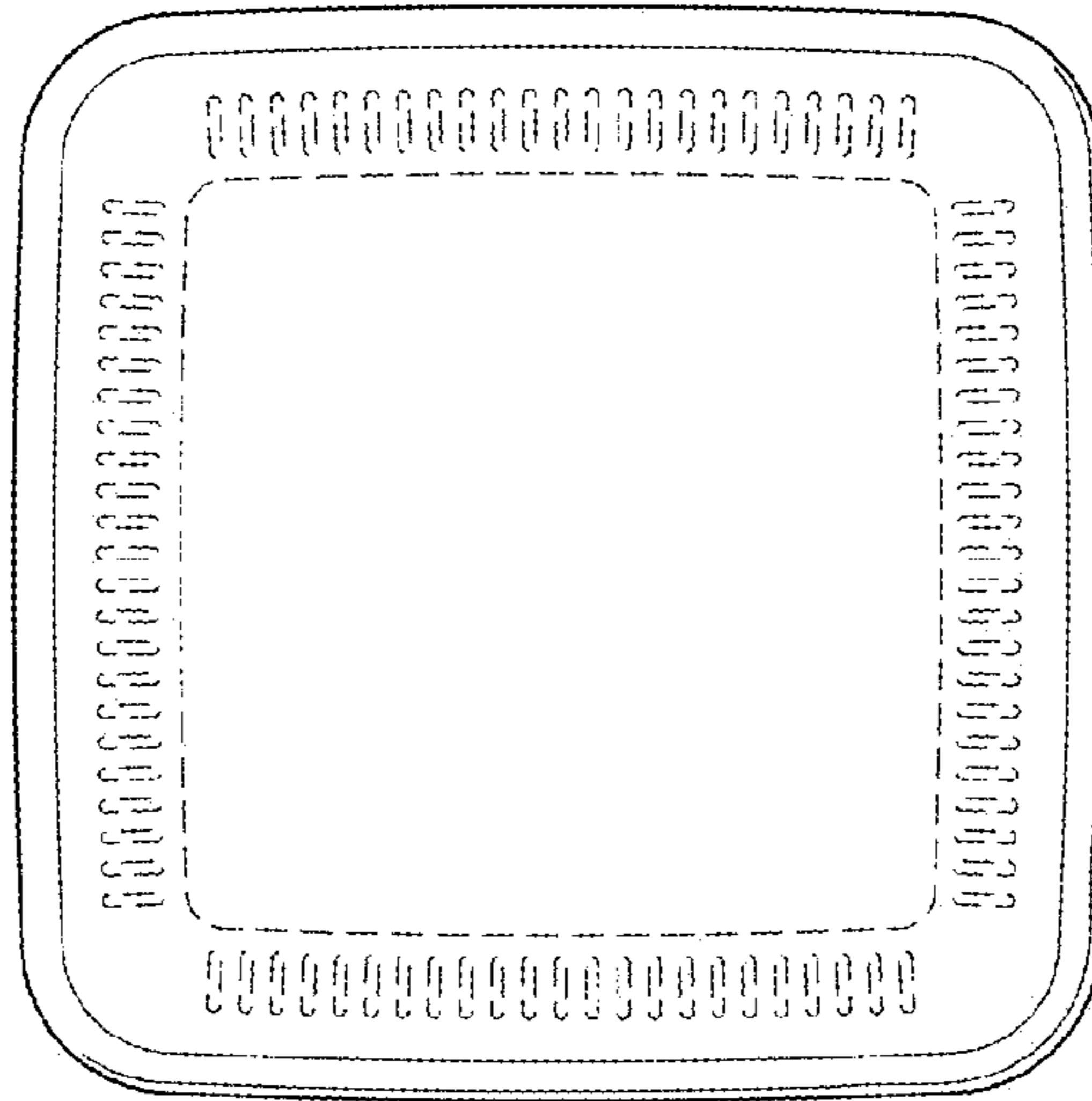


FIG. 3

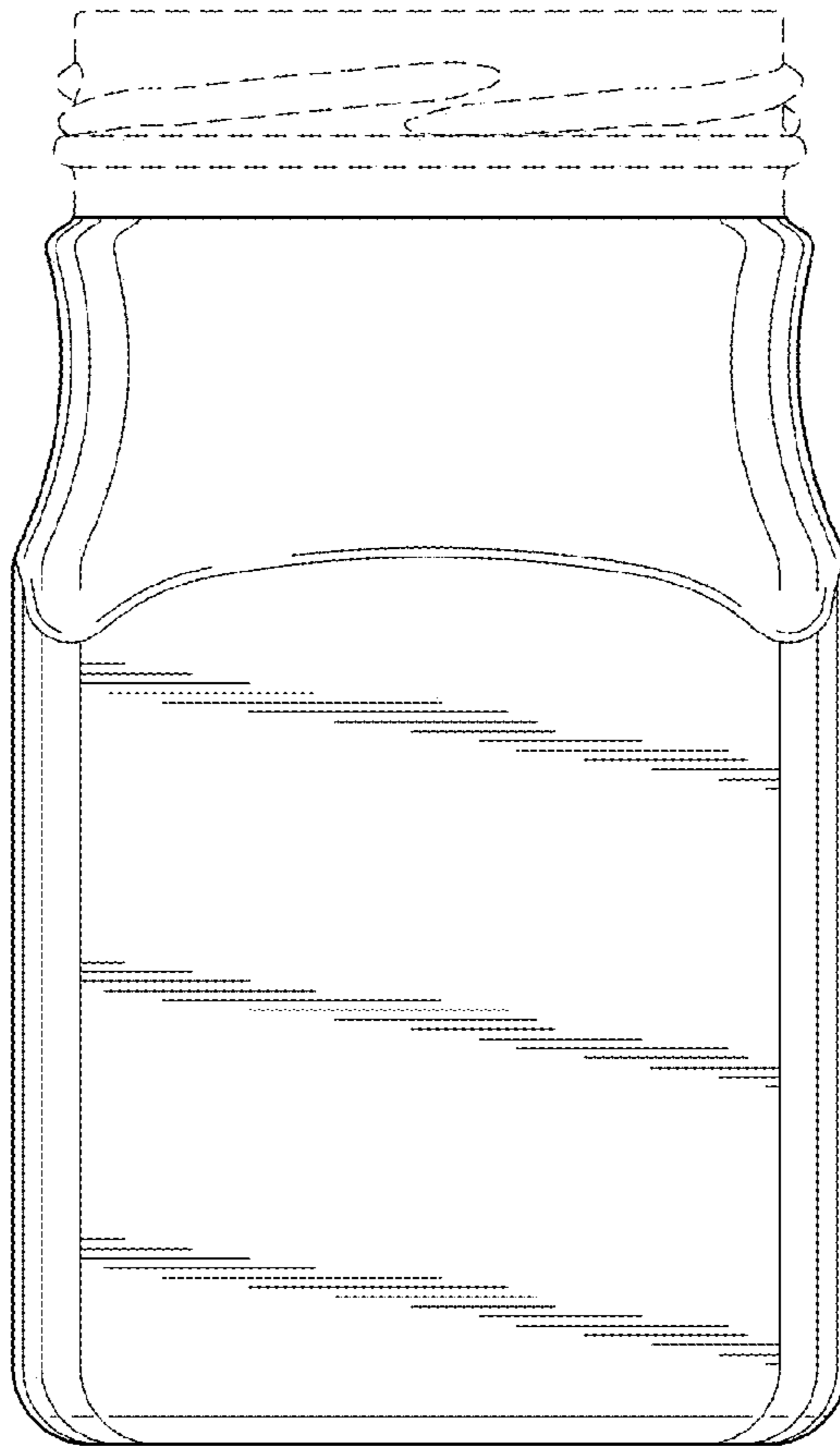


FIG. 4