



US00D717660S

(12) **United States Design Patent**
Schmertz, Jr.

(10) **Patent No.:** **US D717,660 S**

(45) **Date of Patent:** **** Nov. 18, 2014**

(54) **BOTTLE**

(75) Inventor: **William Schmertz, Jr.**, Memphis, TN
(US)

(73) Assignee: **MSD Consumer Care, Inc.**, Memphis,
TN (US)

(**) Term: **14 Years**

(21) Appl. No.: **29/407,828**

(22) Filed: **Dec. 2, 2011**

(51) **LOC (10) Cl.** **09-01**

(52) **U.S. Cl.**
USPC **D9/552; D9/565; D9/575**

(58) **Field of Classification Search**
USPC D9/682, 686-687, 693-694, 516, 523,
D9/530, 542-543, 552, 565, 574-575, 453,
D9/529, 549, 558; 215/381-384; 220/660,
220/669, 675

See application file for complete search history.

(56) **References Cited**

U.S. PATENT DOCUMENTS

D226,175	S	*	1/1973	Bystedt et al.	D9/552 X
D256,094	S	*	7/1980	Friso	D9/558
D282,634	S	*	2/1986	Beaver et al.	D9/523
D314,509	S	*	2/1991	Frazer	D9/575
D325,164	S	*	4/1992	Cann et al.	D9/529
D325,343	S	*	4/1992	Pisar	D9/549
D332,751	S	*	1/1993	Pischulti et al.	D9/573 X
D370,416	S	*	6/1996	Hirato	D9/549
D387,673	S	*	12/1997	Crawford	D9/575
D388,708	S	*	1/1998	Monaghan	D9/523
D397,038	S	*	8/1998	Estrin et al.	D9/523
5,803,287	A	*	9/1998	Kusz	215/330
D404,311	S	*	1/1999	Zimmer et al.	D9/552
5,927,531	A	*	7/1999	Kuzma et al.	215/321
D415,687	S	*	10/1999	Lai et al.	D9/523
D417,018	S	*	11/1999	Soller	D26/9
D419,455	S	*	1/2000	Macauley et al.	D9/575

D433,944	S	*	11/2000	Bernard	D9/558 X
D439,156	S	*	3/2001	Hall et al.	D9/743
D443,828	S	*	6/2001	Meeker et al.	D9/552 X
D446,726	S	*	8/2001	Hall et al.	D9/523 X
D446,727	S	*	8/2001	Cummings	D9/530
D447,059	S	*	8/2001	Vette	D9/549
D455,350	S	*	4/2002	Hopley et al.	D9/565 X
D455,657	S	*	4/2002	Hopley et al.	D9/565 X
D456,269	S	*	4/2002	Hopley et al.	D9/565 X
D456,716	S	*	5/2002	Hopley et al.	D9/543
D466,023	S	*	11/2002	Eickmeier	D9/552
D466,415	S	*	12/2002	Reis	D9/552
D466,815	S	*	12/2002	Sweeton	D9/574 X
D467,506	S	*	12/2002	Jones et al.	D9/543

(Continued)

Primary Examiner — Carol P Rademaker

(74) *Attorney, Agent, or Firm* — Dianne Pecararo; Catherine D. Fitch

(57) **CLAIM**

The ornamental design for a bottle, as shown and described.

DESCRIPTION

A portion of the disclosure of this patent document contains material which is protected by copyright. The copyright owner has no objection to the facsimile reproduction by anyone of the patent document or the patent disclosure, as it appears in the Patent and Trademark Office patent file or records, but reserves all other copyright rights whatsoever.

FIG. 1 is a top, front, right side perspective view of a bottle showing my new design;

FIG. 2 is a front elevational view thereof;

FIG. 3 is a right side front elevational view thereof;

FIG. 4 is a rear elevational view thereof;

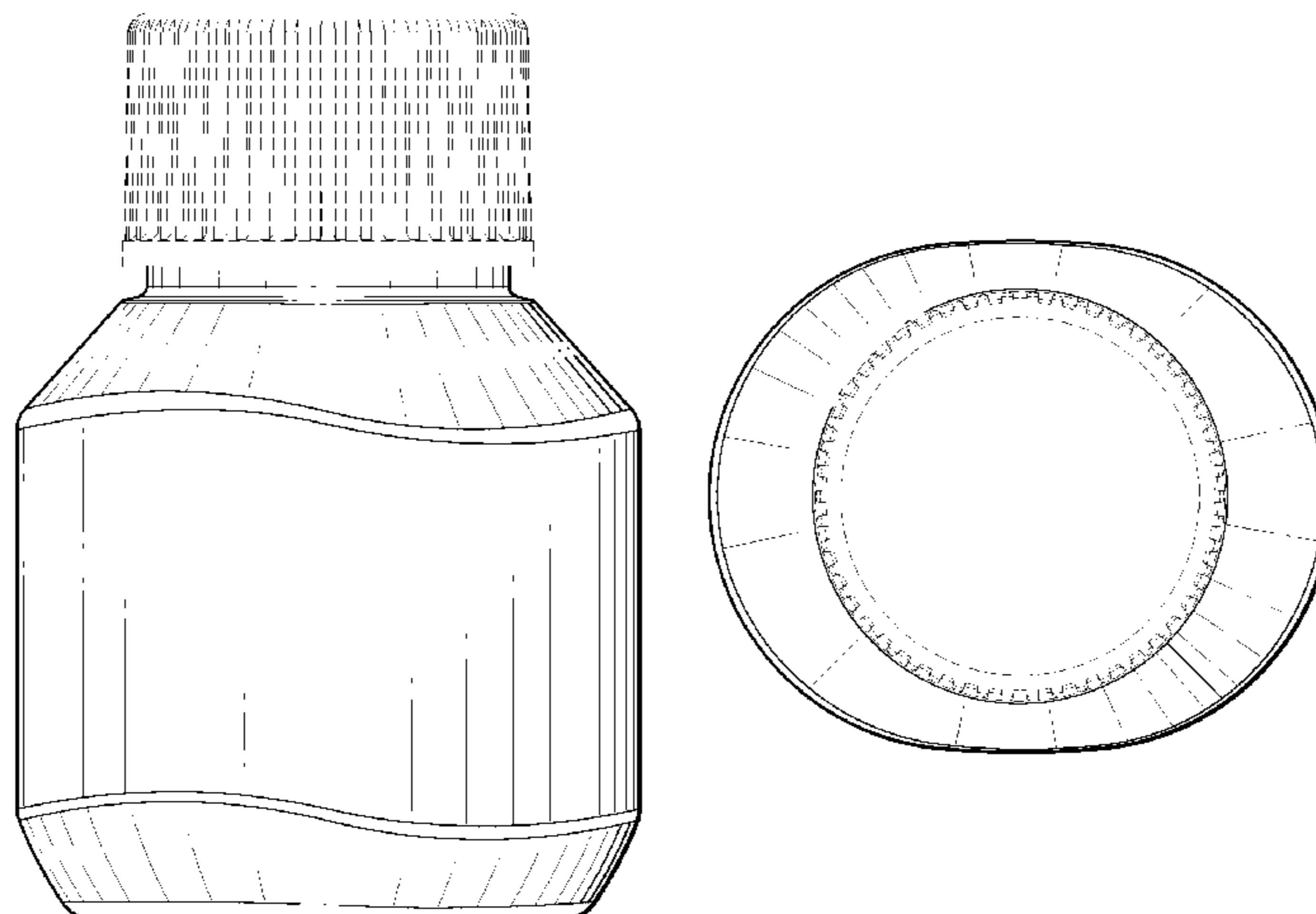
FIG. 5 is a left side elevational view thereof;

FIG. 6 is a top plan view thereof; and,

FIG. 7 is a bottom plan view thereof.

The broken lines shown in the drawings are included for the purpose of illustrating environmental structure and form no part of the claimed design.

1 Claim, 7 Drawing Sheets



(56)

References Cited

U.S. PATENT DOCUMENTS

D474,377 S *	5/2003	Holsinger	D7/615	D592,514 S *	5/2009	Schwartz et al.	D9/523 X
D483,270 S *	12/2003	Bertucci et al.	D9/575 X	D600,564 S *	9/2009	da Barp	D9/523 X
D501,637 S *	2/2005	Ferguson et al.	D9/575 X	D627,656 S *	11/2010	Wendt	D9/571 X
D523,755 S *	6/2006	Considine et al.	D9/574 X	D643,739 S *	8/2011	Schmertz et al.	D9/565
D539,655 S *	4/2007	Kipperman et al.	D9/529	D660,172 S *	5/2012	Schmertz et al.	D9/565
D558,583 S *	1/2008	Langbein et al.	D9/560	D660,173 S *	5/2012	Schmertz et al.	D9/565
D568,748 S *	5/2008	Harrison et al.	D9/516	D660,174 S *	5/2012	Schmertz et al.	D9/565
D584,149 S *	1/2009	Lohrman et al.	D9/453	D675,926 S *	2/2013	Tovar	D9/575 X
D588,011 S *	3/2009	Shimizu	D9/552	D682,110 S *	5/2013	Gonzalez	D9/523
					D691,481 S *	10/2013	Yourist et al.	D9/543
					2011/0114652 A1 *	5/2011	Lown	220/669

* cited by examiner

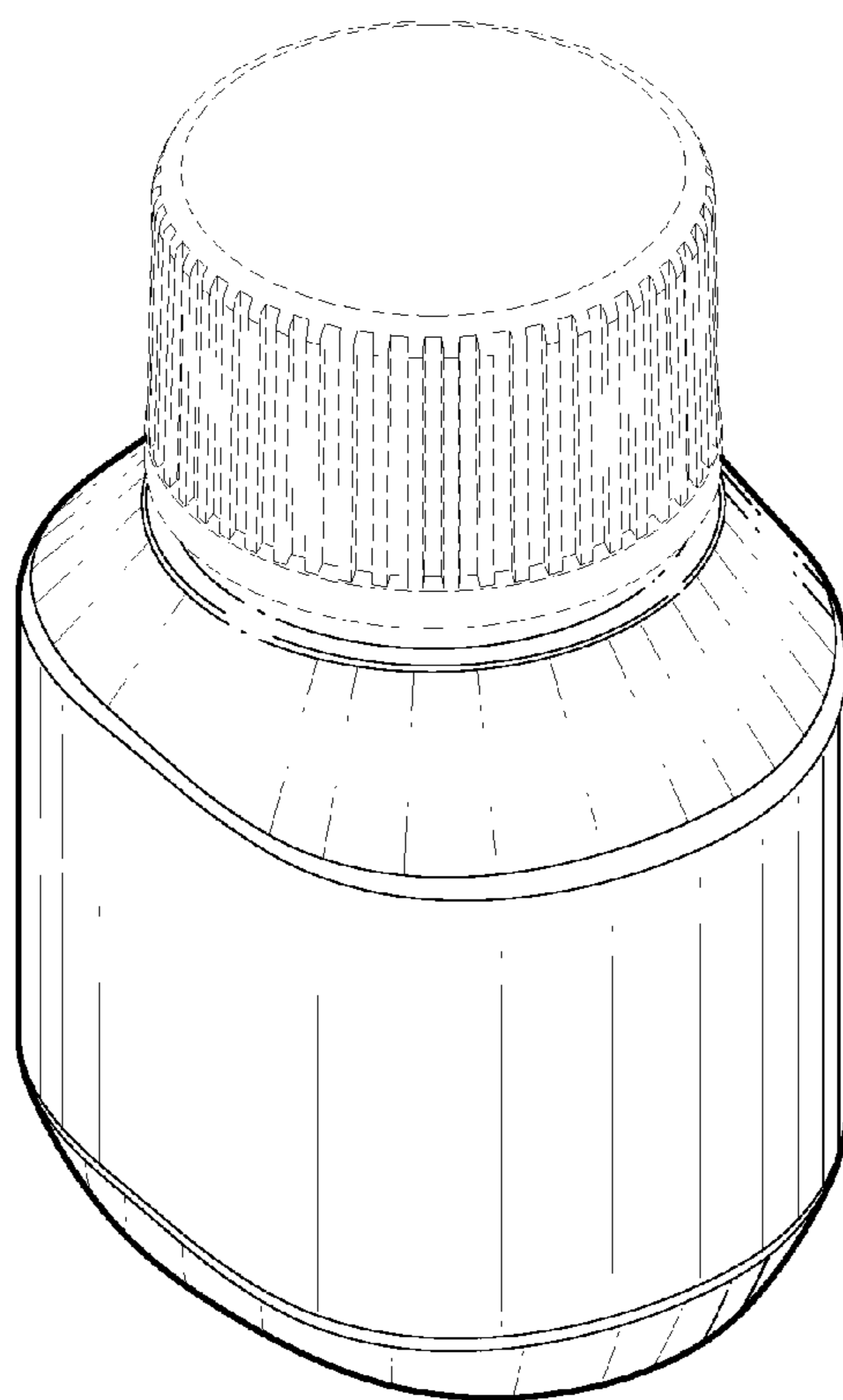


FIG. 1

© MSD Consumer Care, Inc.

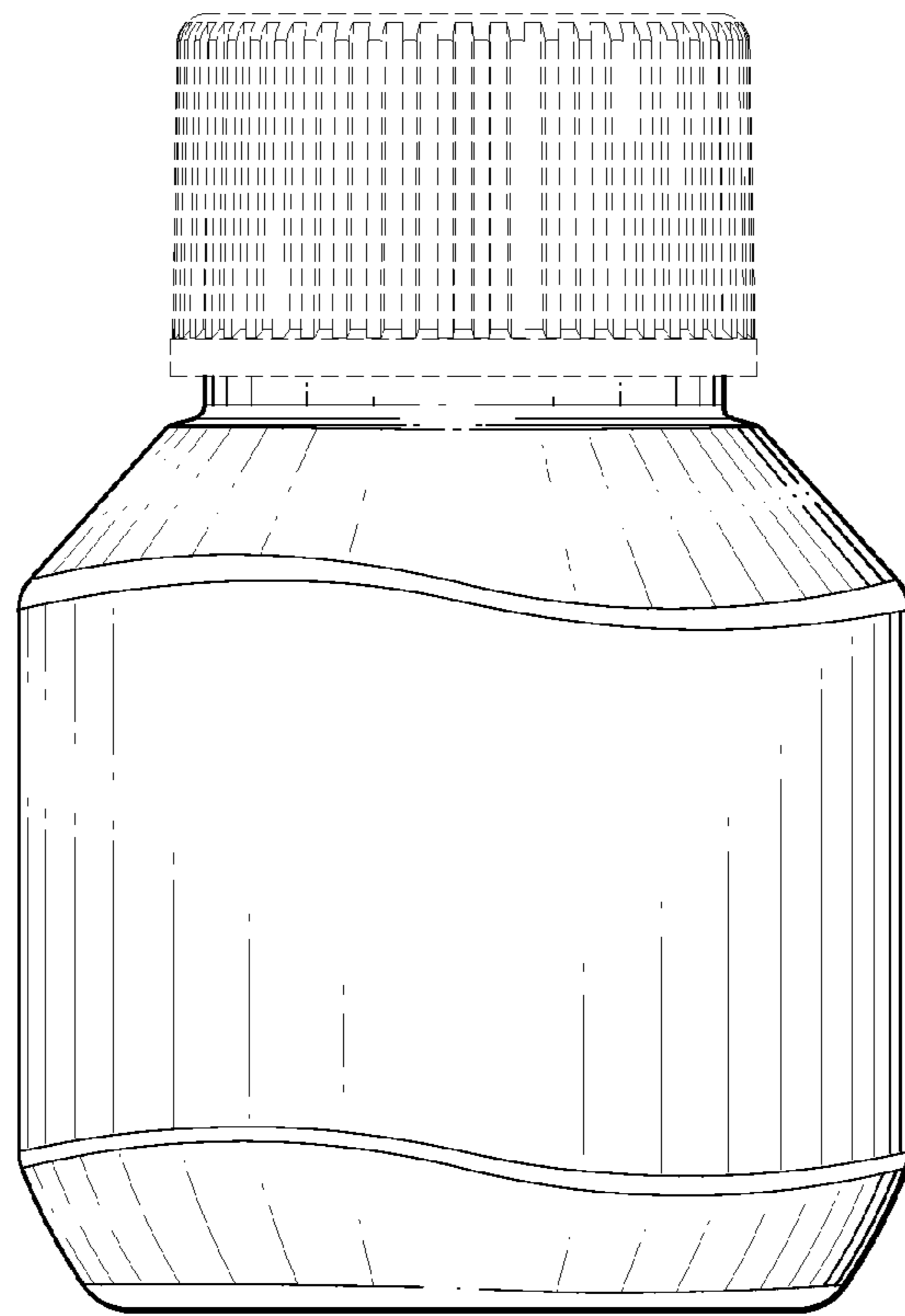


FIG. 2

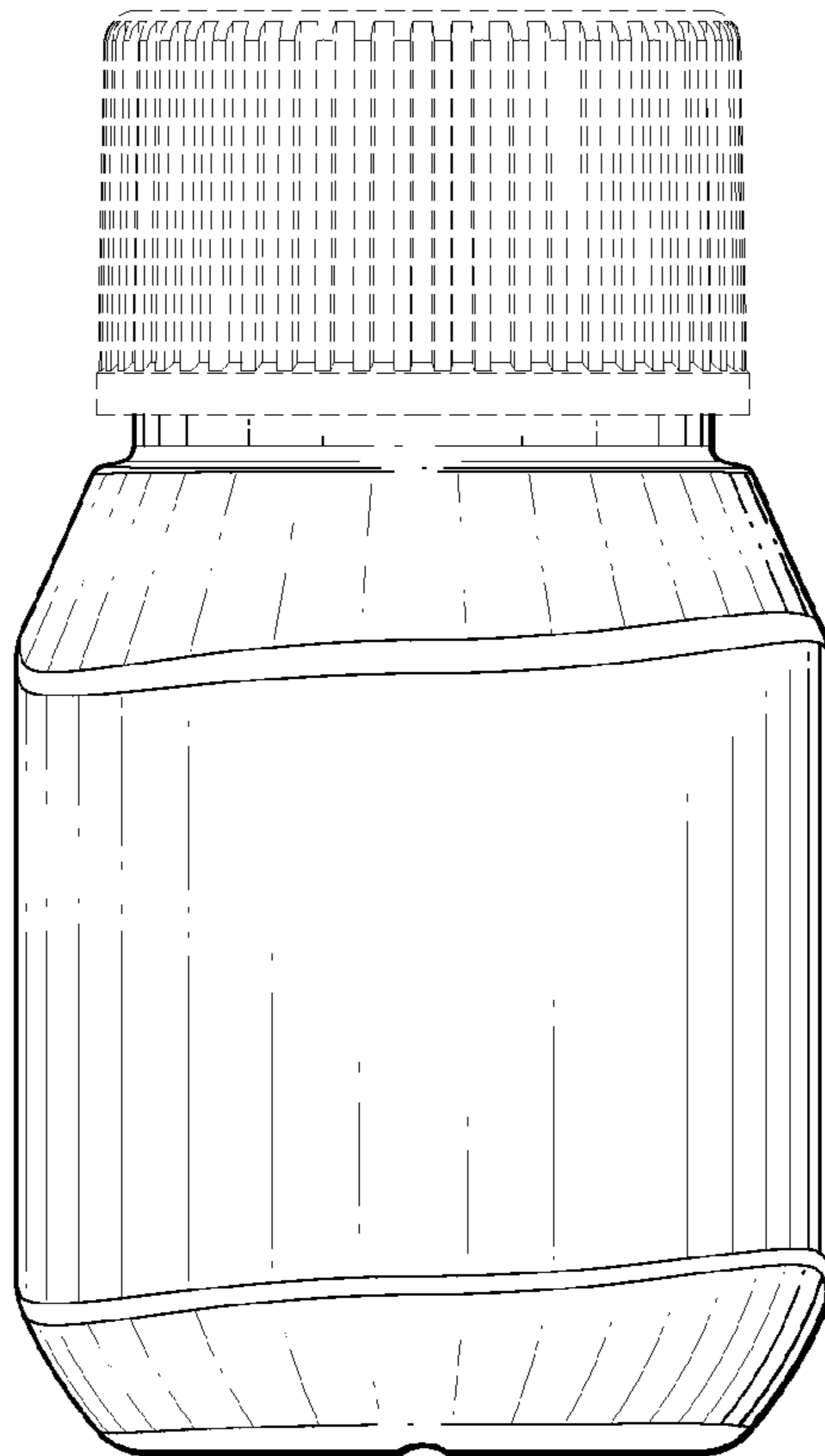


FIG. 3

© MSD Consumer Care, Inc.

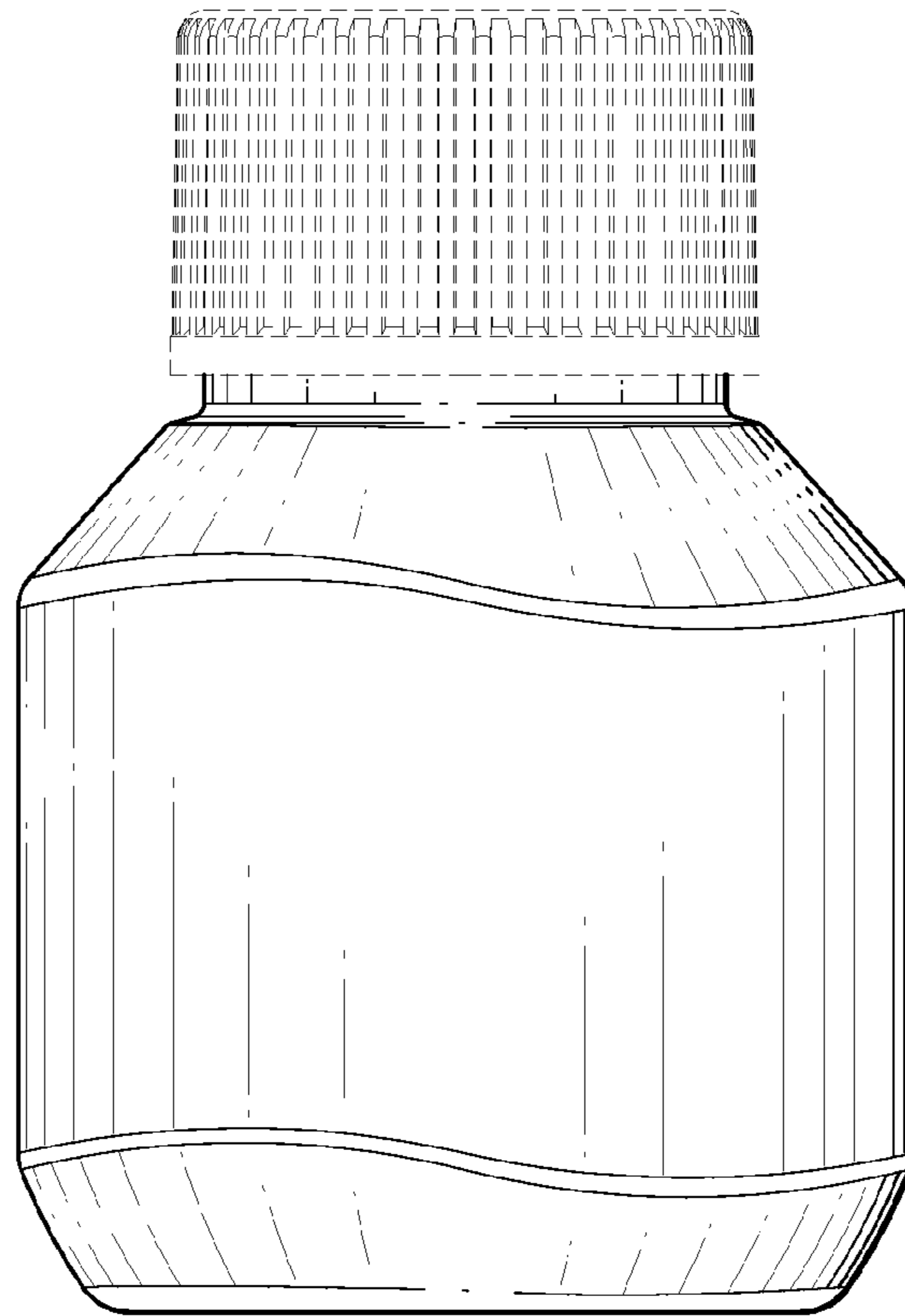


FIG. 4

© MSD Consumer Care, Inc.

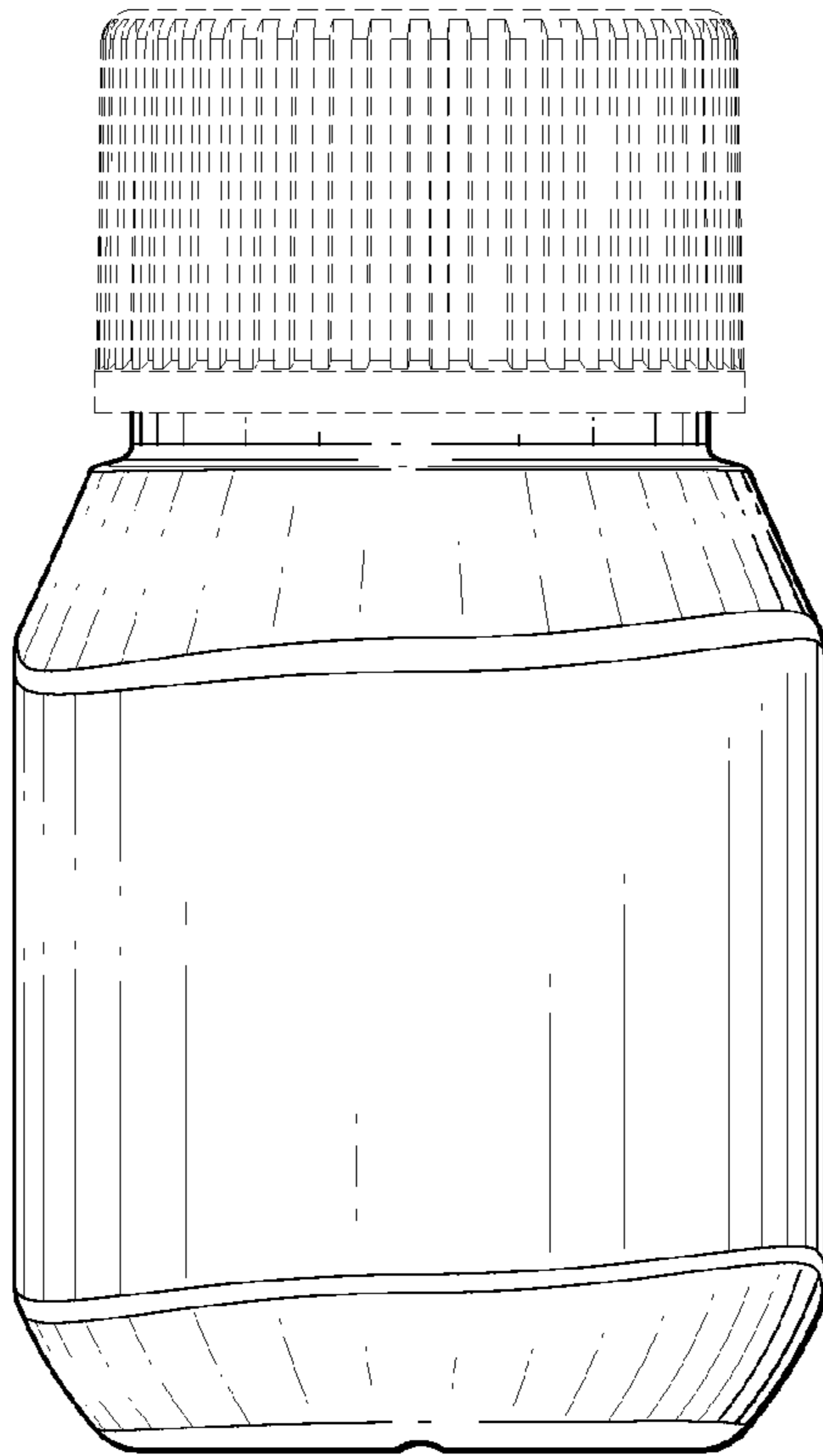


FIG. 5

© MSD Consumer Care, Inc.

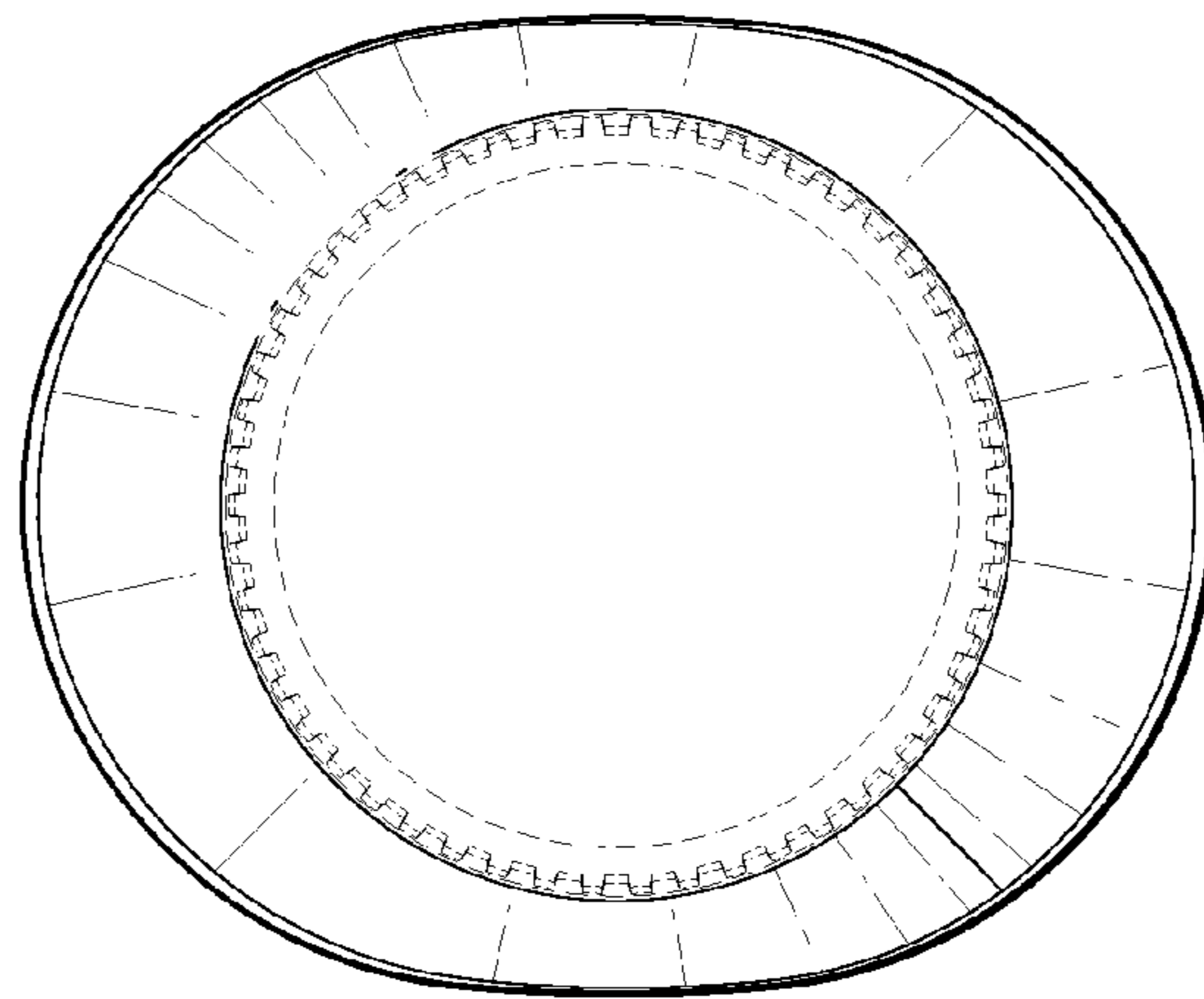


FIG. 6

© MSD Consumer Care, Inc.

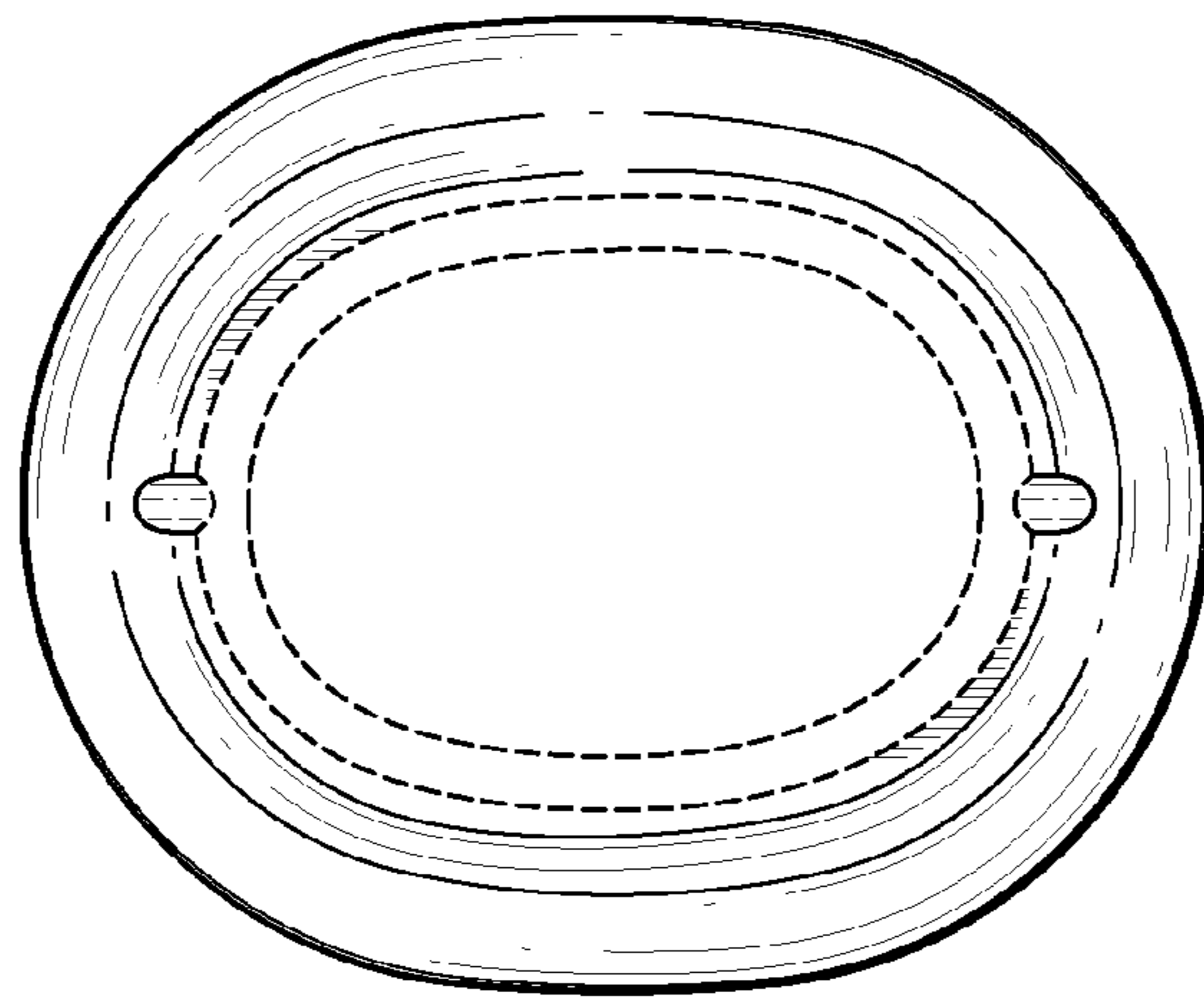


FIG. 7

© MSD Consumer Care, Inc.