



US00D717659S

(12) **United States Design Patent**
Veuger

(10) **Patent No.:** **US D717,659 S**

(45) **Date of Patent:** **** Nov. 18, 2014**

(54) **VESSEL FOR STORING LIQUIDS AND POWDERS**

(75) Inventor: **Rikus Veuger, Cimahi (ID)**

(73) Assignee: **Transport System Solutions Ltd., Hong Kong (CN)**

(**) Term: **14 Years**

(21) Appl. No.: **29/423,974**

(22) Filed: **Jun. 6, 2012**

(30) **Foreign Application Priority Data**

Dec. 6, 2011 (CN) 2011 3 0460386

(51) **LOC (10) Cl.** **09-01**

(52) **U.S. Cl.**
USPC **D9/550; D9/520; D9/557; D9/745**

(58) **Field of Classification Search**
CPC B65D 1/00; B65D 1/02; B65D 1/0223;
B65D 1/12; B65D 1/14; B65D 1/16; B65D
1/40; B65D 1/42; B65D 1/44; B65D 21/00;
B65D 21/02; B65D 21/0209; B65D 23/00;
B65D 2501/00; B65D 2501/0009; B65D
2501/0018; B65D 2501/0036; B65D
2501/0045

USPC D9/502, 516, 537, 539-540, 549-550,
D9/557-559, 575, 745; D34/39; 215/370,
215/379, 381-383; 220/600, 609, 660,
220/669-673, 675; 206/503

See application file for complete search history.

(56) **References Cited**

U.S. PATENT DOCUMENTS

D235,624 S * 7/1975 Templin D9/502
D238,754 S * 2/1976 Frahm et al. D9/500
D244,427 S * 5/1977 Schieser et al. D9/550

D262,522 S * 1/1982 Frahm et al. D9/557
4,308,955 A * 1/1982 Schieser et al. 206/509
D270,136 S * 8/1983 Cox D9/500
D272,604 S * 2/1984 Cox D9/550
D326,051 S * 5/1992 Frahm D9/558
D326,608 S * 6/1992 Frahm D9/500
D326,609 S * 6/1992 Stenger D9/502
D334,345 S * 3/1993 Wright D9/553
D365,757 S * 1/1996 Stenger D9/502
D419,885 S * 2/2000 Gonzalez C. D9/531
D430,038 S * 8/2000 Young et al. D9/549
D471,457 S * 3/2003 Deichler et al. D9/502
D502,405 S * 3/2005 Dorn et al. D9/551
D509,145 S * 9/2005 Dorn et al. D9/550
D514,947 S * 2/2006 Darr et al. D9/550
D657,686 S * 4/2012 Veuger D9/559
2006/0096942 A1 * 5/2006 Lane 215/10

* cited by examiner

Primary Examiner — Ian Simmons

Assistant Examiner — Dana L Meyrow

(74) *Attorney, Agent, or Firm* — Epstein Drangel LLP;
Robert L. Epstein

(57) **CLAIM**

The ornamental design for vessel for storing liquids and powders, as shown and described.

DESCRIPTION

FIG. 1 is a top, front, right side perspective view of a claimed design;

FIG. 2 is a bottom, front perspective view thereof;

FIG. 3 is a top plan view thereof;

FIG. 4 is a bottom plan view thereof;

FIG. 5 is a front elevation view thereof;

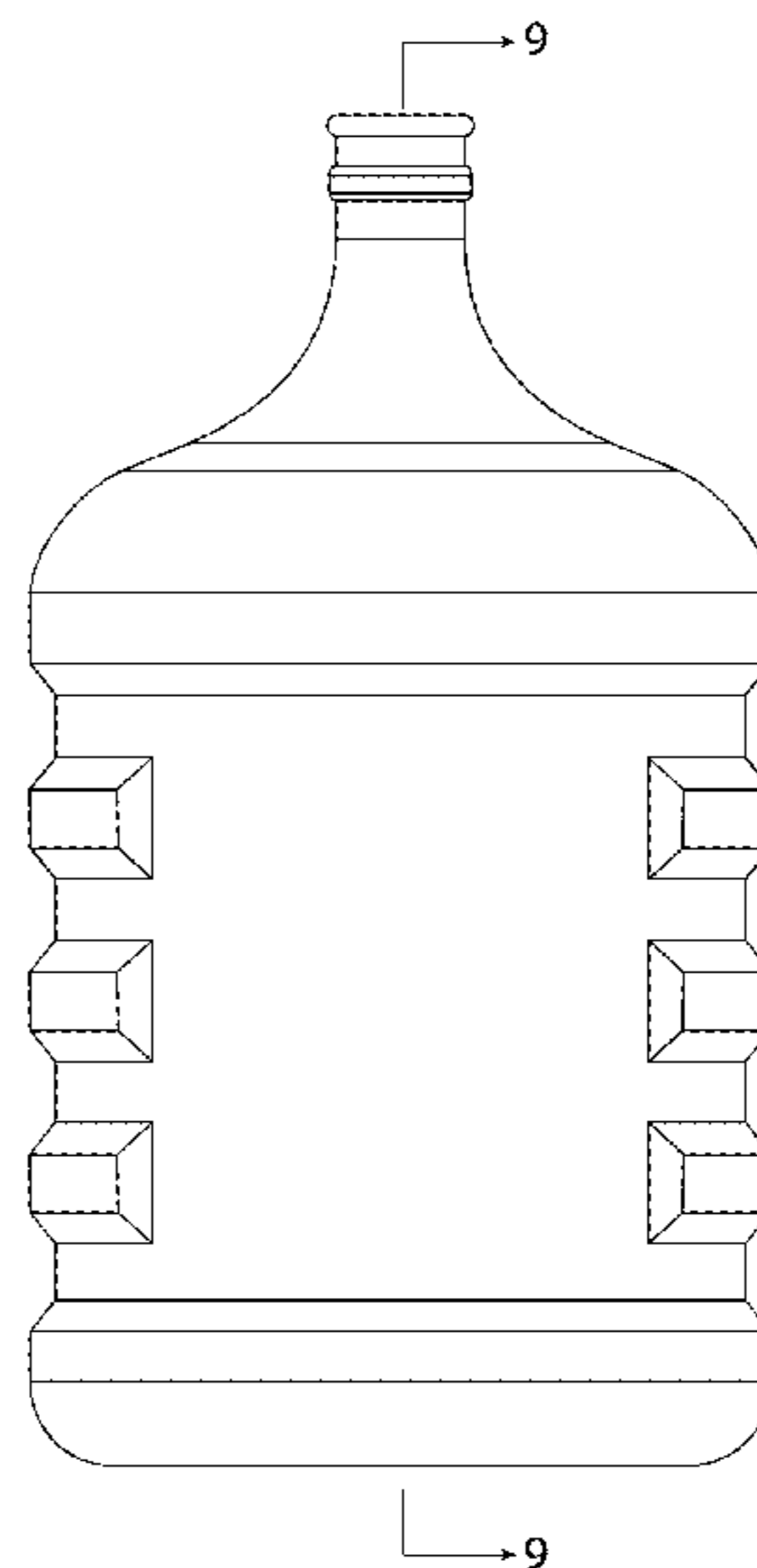
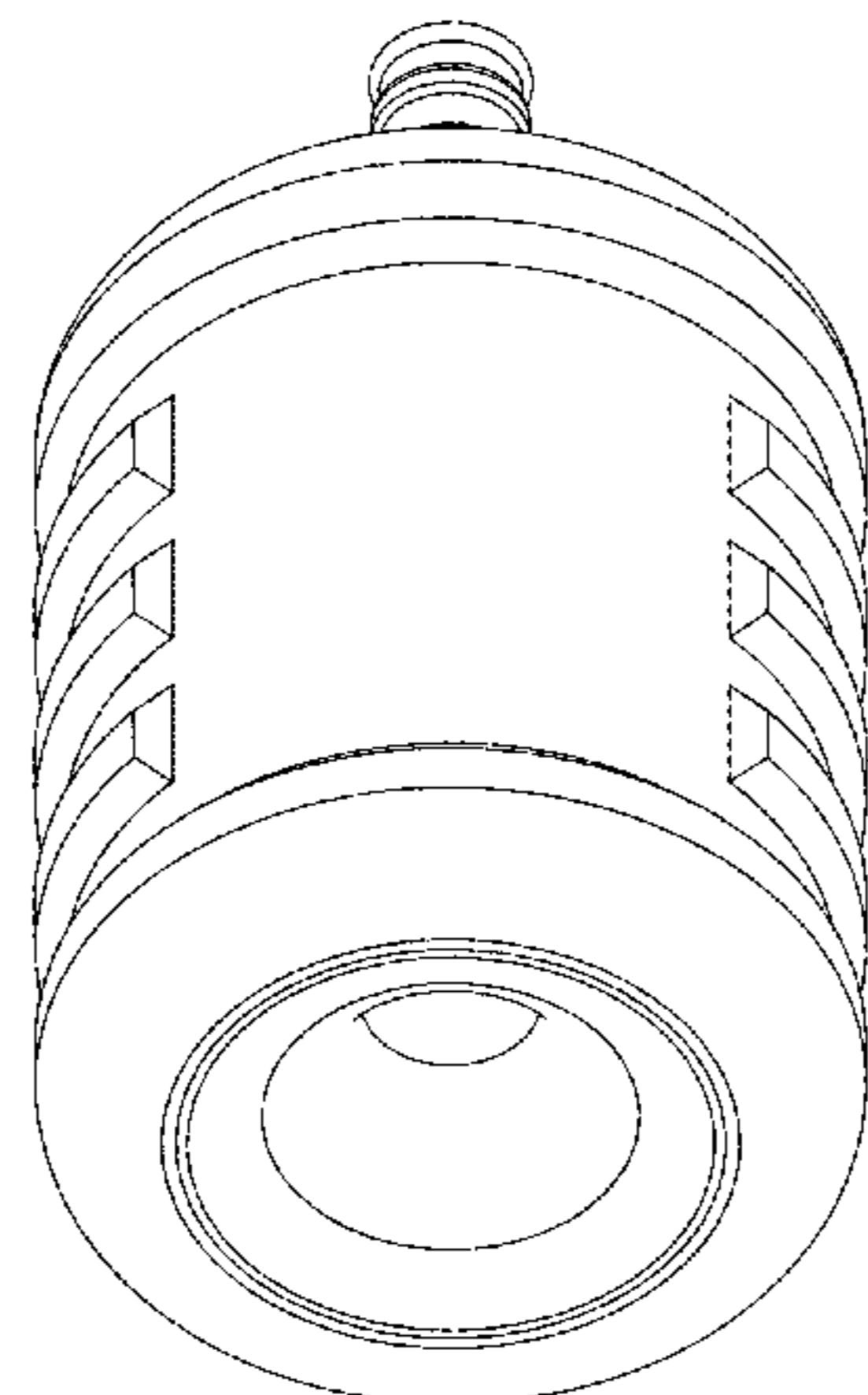
FIG. 6 is a left side elevation view thereof;

FIG. 7 is a right side elevation view thereof;

FIG. 8 is a rear elevation view thereof; and,

FIG. 9 is a cross-section view taken along the line 9-9 in the FIG. 5 drawing view.

1 Claim, 9 Drawing Sheets



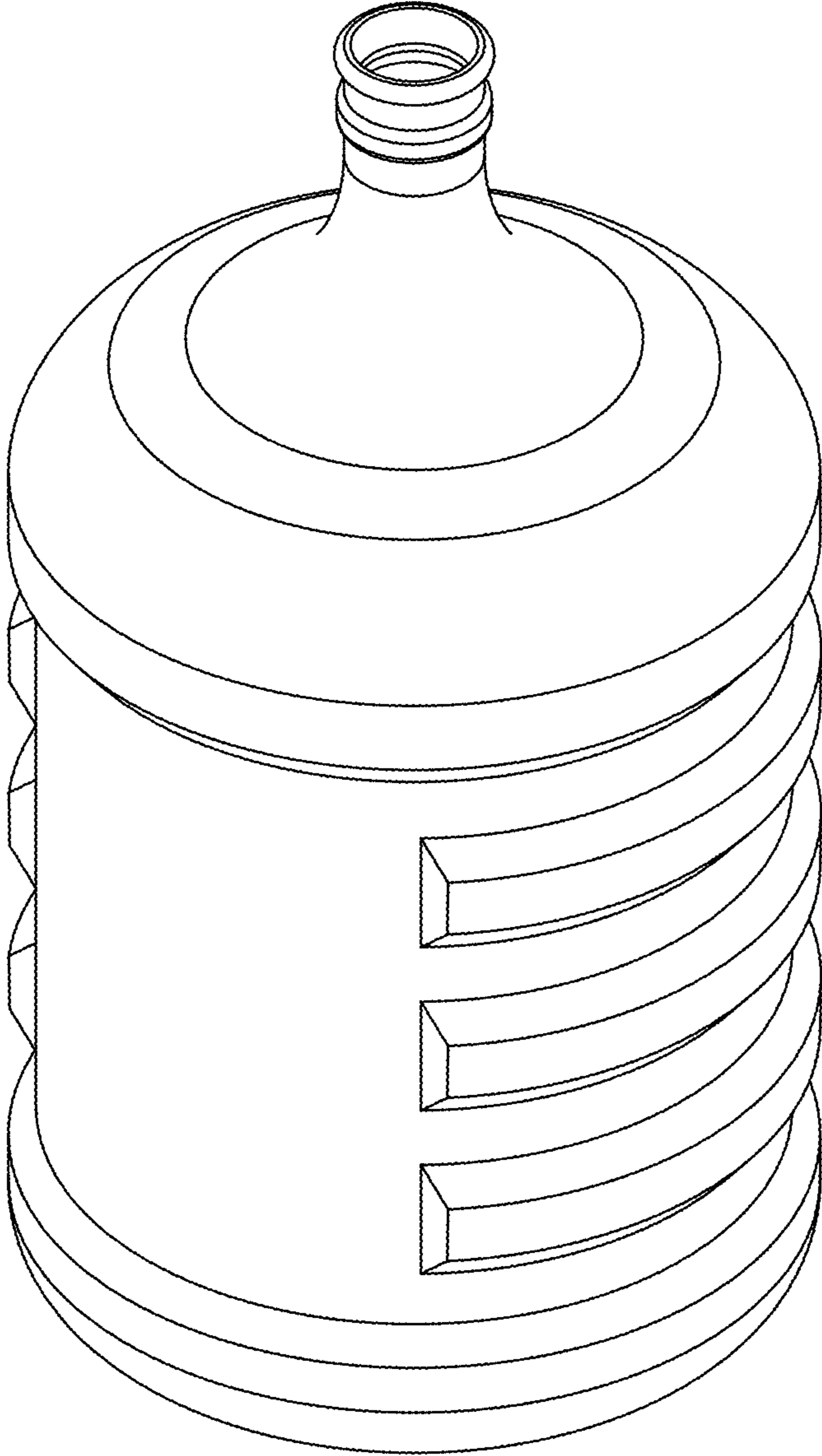


FIG. 1

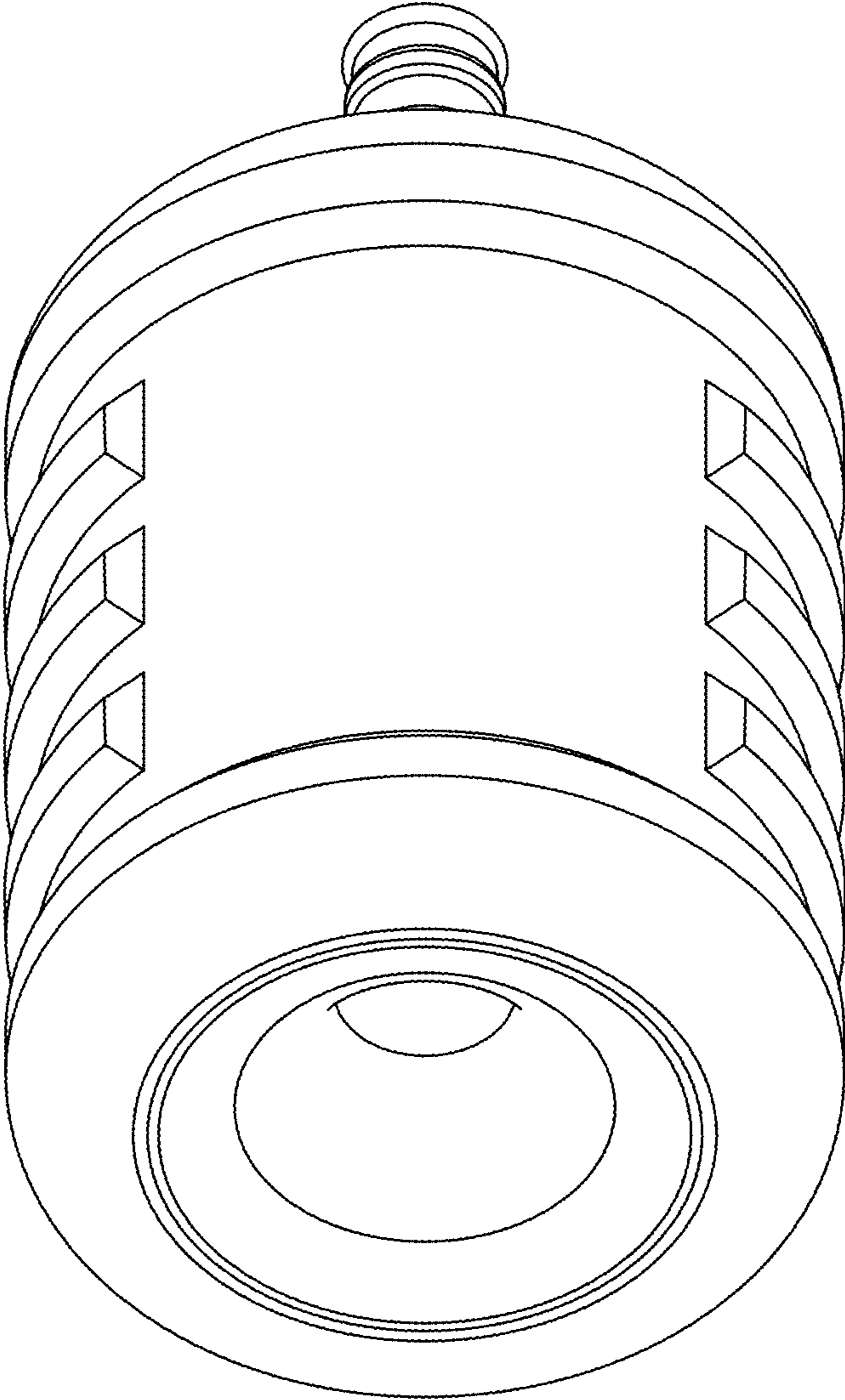


FIG. 2

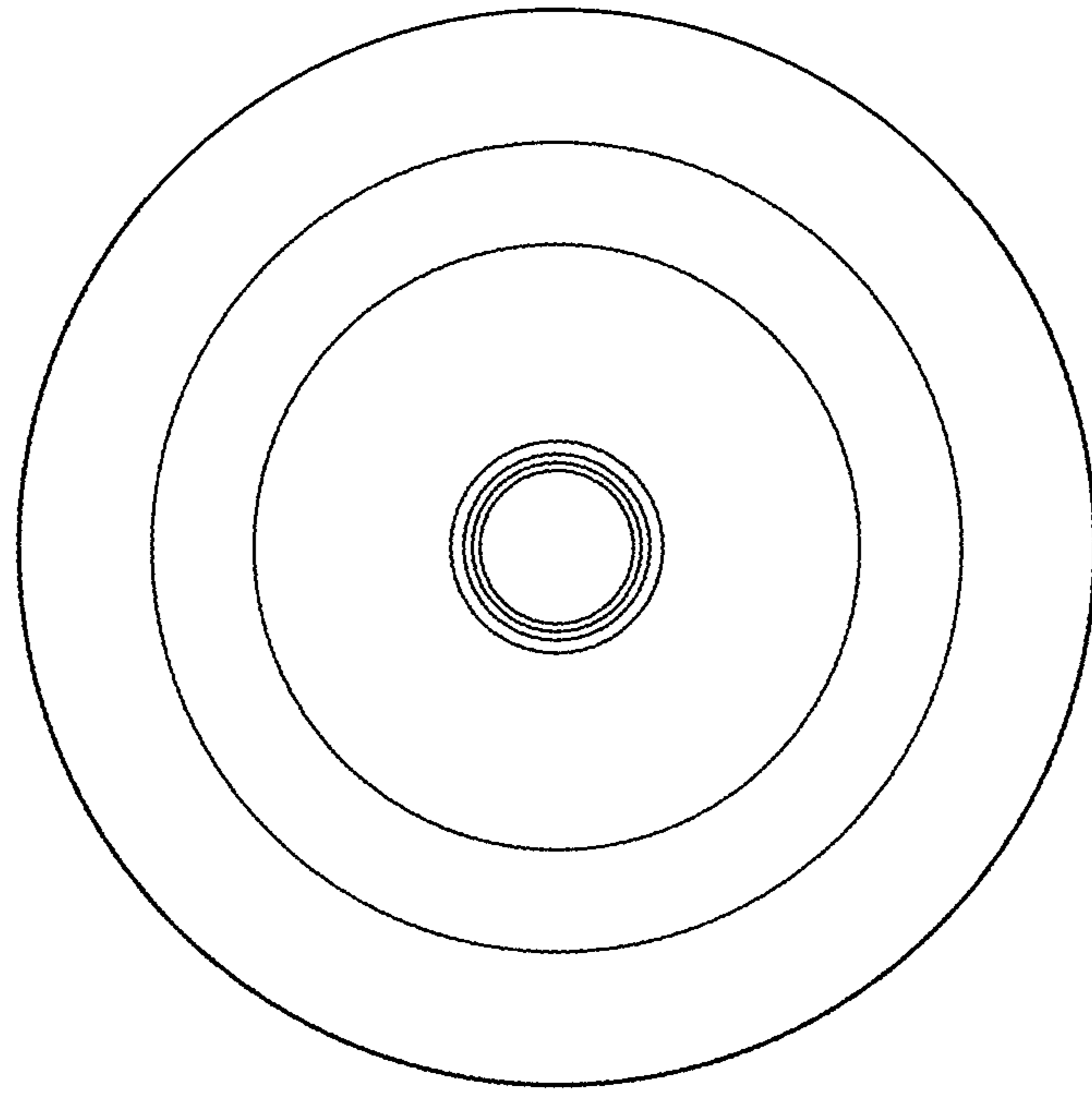


FIG. 3

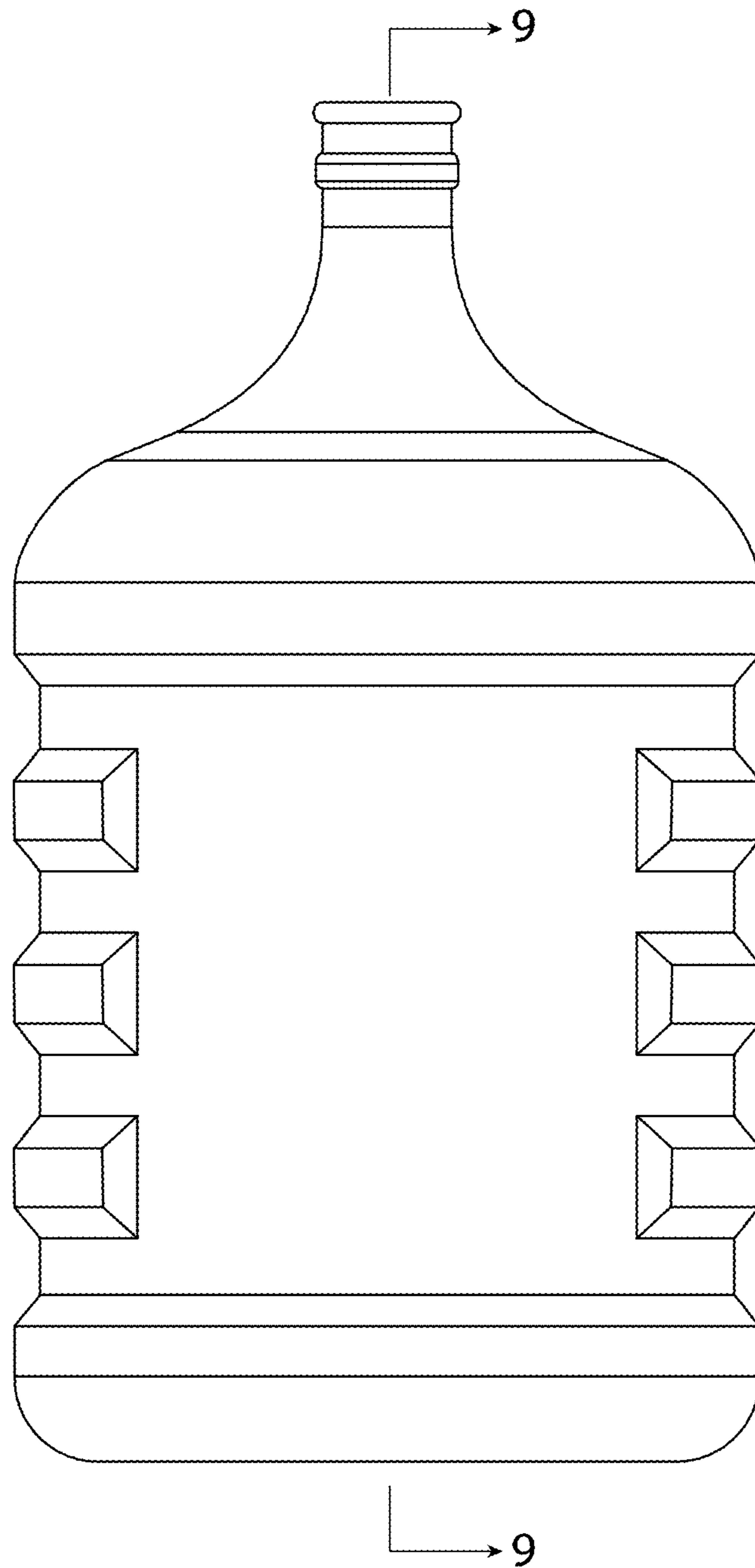


FIG. 5

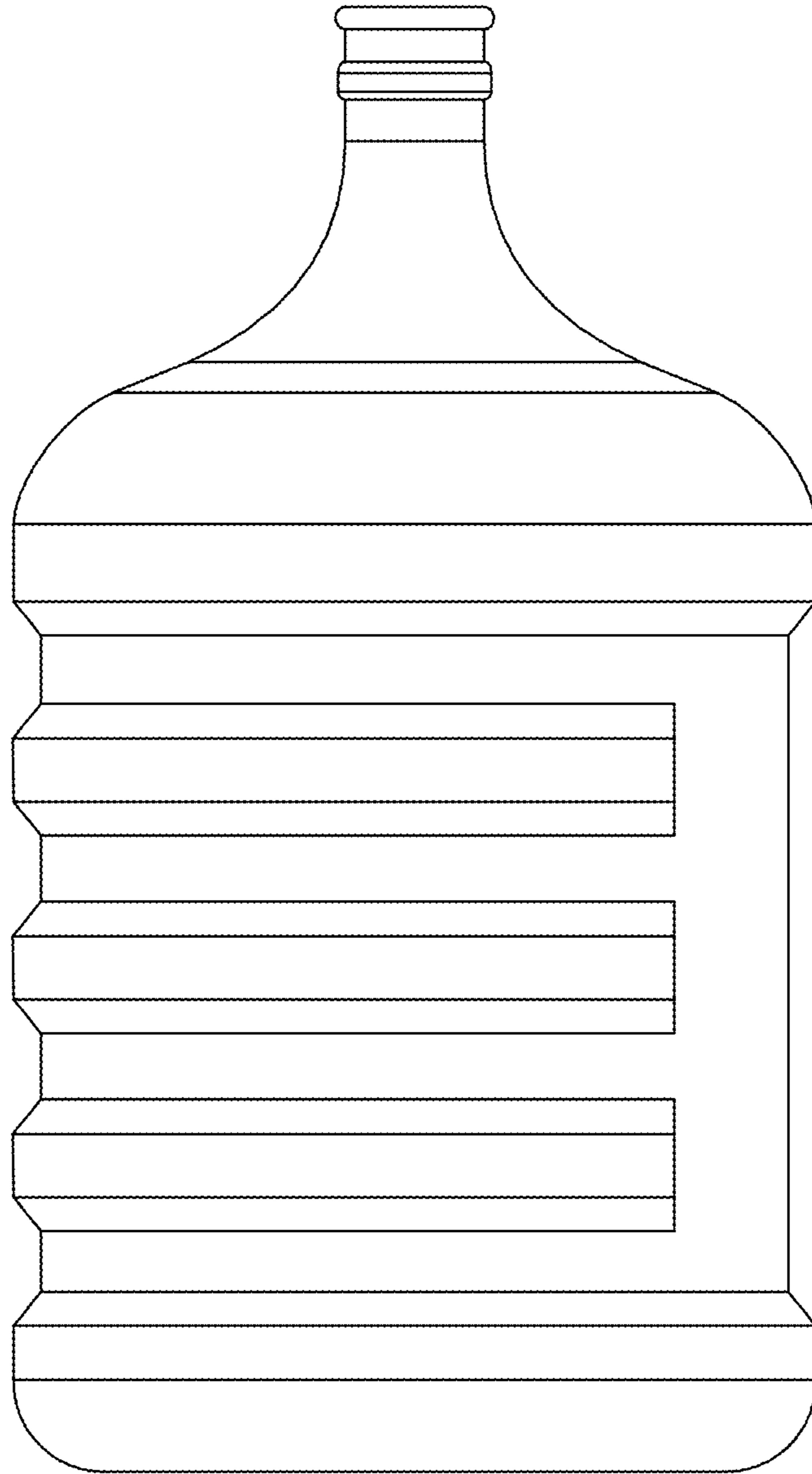


FIG. 6

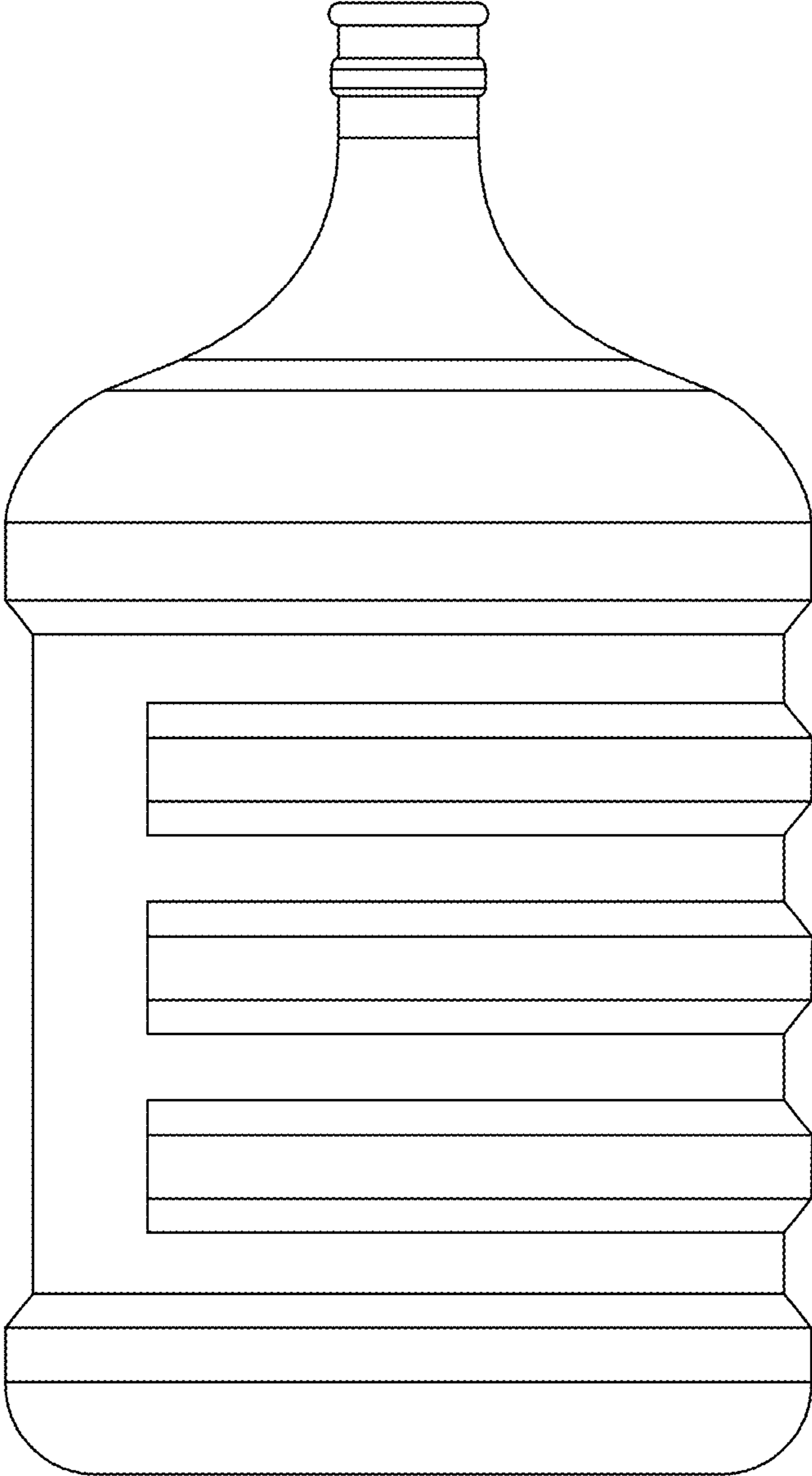


FIG. 7

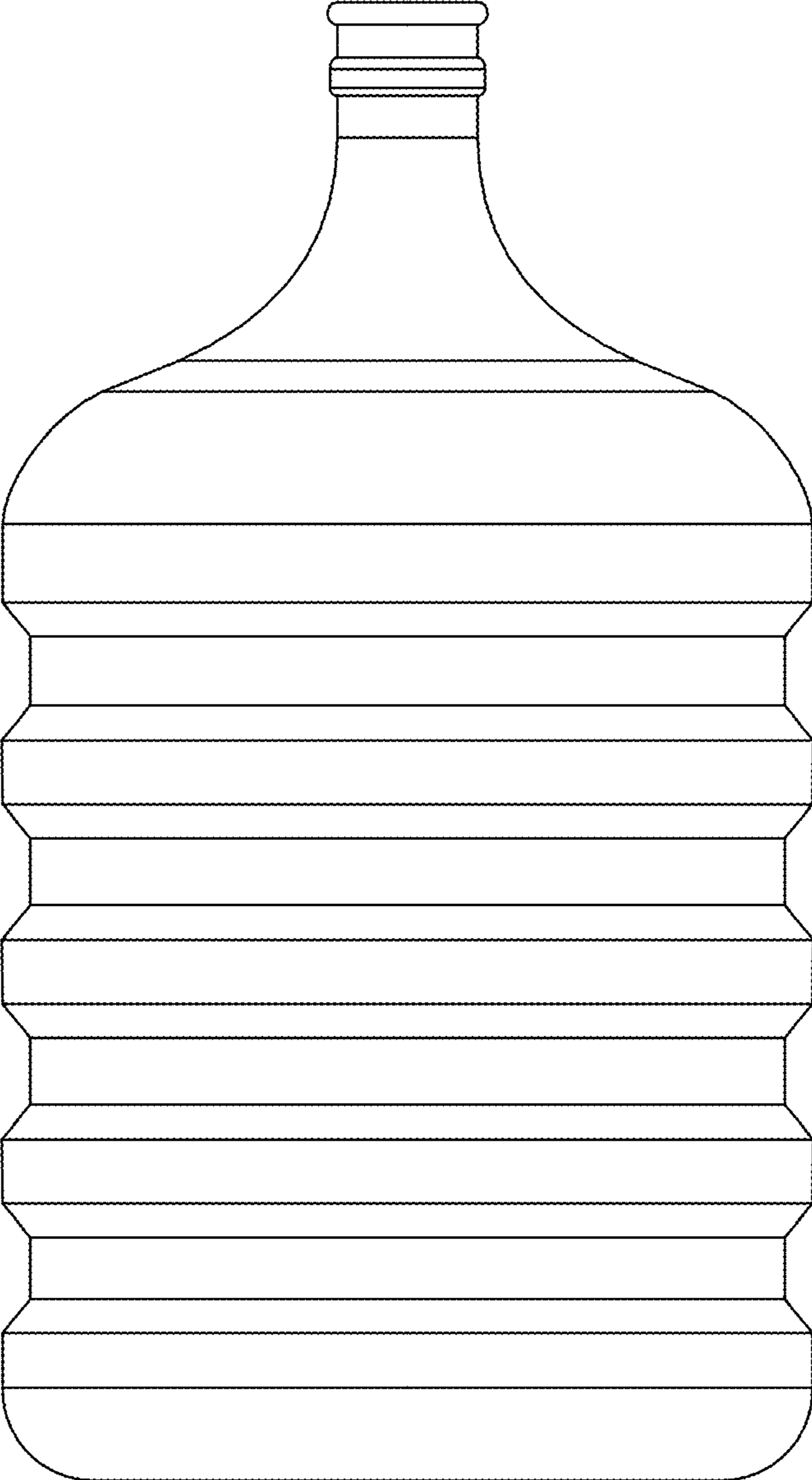


FIG. 8

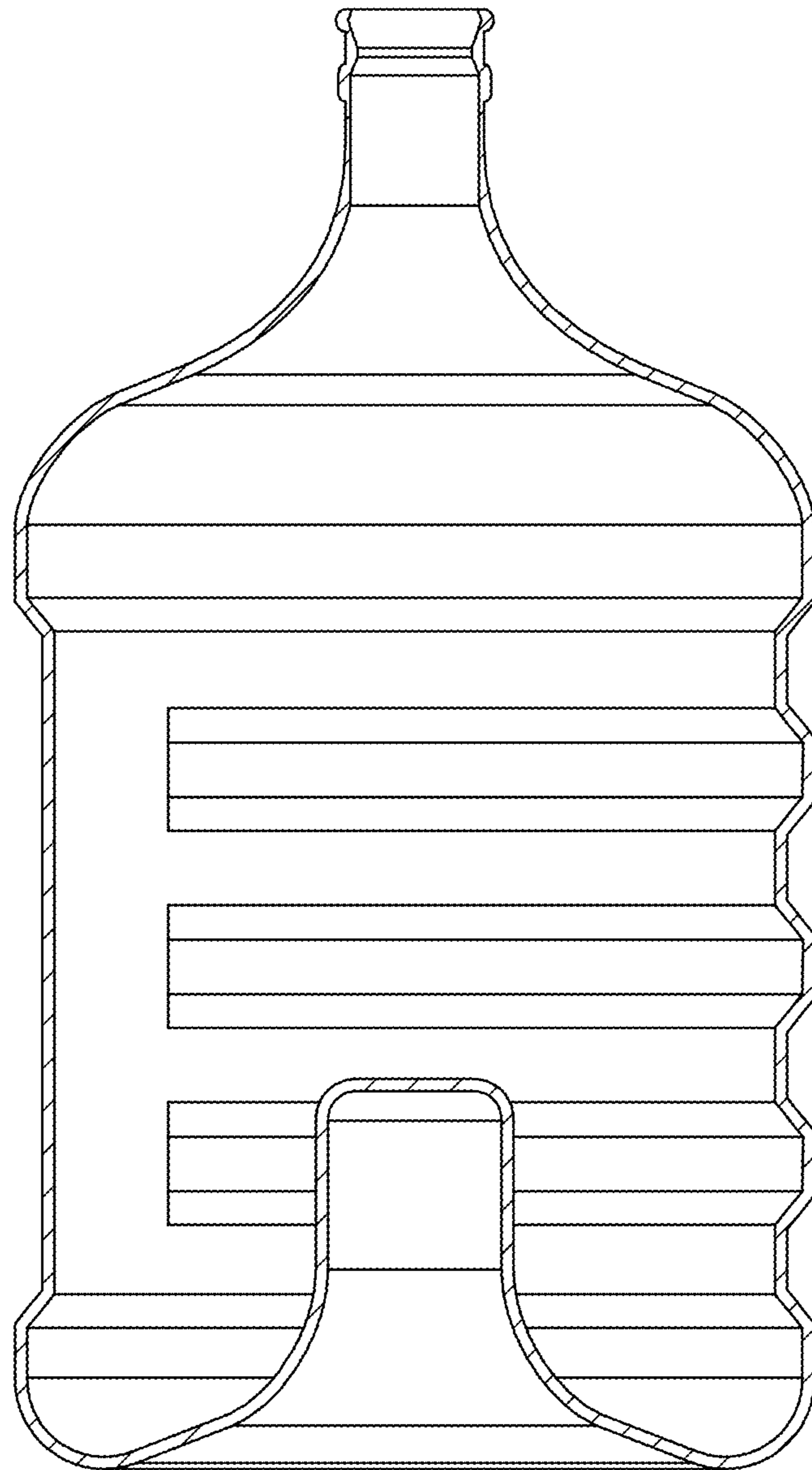


FIG. 9