



US00D717652S

(12) **United States Design Patent**  
**Rego Garcia de Alba**

(10) **Patent No.:** **US D717,652 S**

(45) **Date of Patent:** **\*\* Nov. 18, 2014**

(54) **PACKAGING STACKER**

(56) **References Cited**

(75) Inventor: **Luis Felipe Rego Garcia de Alba,**  
Austin, TX (US)

U.S. PATENT DOCUMENTS

(73) Assignee: **Power Retailing Group, S.A. de C.V.,**  
Mexico City (MX)

1,546,680	A *	7/1925	Sessions	190/37
D172,596	S *	7/1954	Harper	D9/456
D174,300	S *	3/1955	Waterman	D9/425
2,931,053	A *	4/1960	Andreasen	5/201
D217,329	S *	4/1970	Bixler et al.	D9/425
D229,037	S *	11/1973	Funahashi	D9/432
3,922,408	A *	11/1975	Smith	428/40.1
D248,274	S *	6/1978	Kingston et al.	D8/354
4,134,338	A *	1/1979	Selman	101/122
D251,546	S *	4/1979	Larsson et al.	D9/432
D264,382	S *	5/1982	Ankarswed	D25/131
4,594,818	A *	6/1986	Prestidge	52/58
D285,047	S *	8/1986	Dean et al.	D8/382
4,690,359	A *	9/1987	Phillips	248/300
4,877,648	A *	10/1989	Sotelo	427/140
D339,641	S *	9/1993	Leufstedt et al.	D25/119
5,297,011	A *	3/1994	Triunfol	362/147

(\*\*) Term: **14 Years**

(21) Appl. No.: **29/431,478**

(22) Filed: **Sep. 7, 2012**

(30) **Foreign Application Priority Data**

Mar. 9, 2012 (MX) ..... MX/F/2012/000806

(51) **LOC (10) Cl.** ..... **09-07**

(52) **U.S. Cl.**  
USPC ..... **D9/456**

(58) **Field of Classification Search**  
CPC ..... A47G 21/001; B65B 31/00; B65B 3/04;  
B65B 2220/14; B65B 25/22; B65B 29/08;  
B65B 61/18; B65D 81/3453; B65D 81/3461;  
B65D 2581/344; B65D 81/3446; B65D  
2581/3406; B65D 81/3893; B65D 2581/3497;  
B65D 2585/366; B65D 2581/34; B65D  
77/0433; A45C 11/20; A45C 11/005; A63F  
13/00; A63F 13/06; A63F 13/04; A63F  
2300/1093; A63F 2300/308; A63F 2300/695;  
A63F 2300/8076; A63F 9/24  
USPC ..... D9/456, 432, 433, 425, 429, 419, 422;  
D7/323, 391, 392.1, 541, 553.1, 553.2,  
D7/554.3, 601; D3/272, 313, 319; D8/28,  
D8/328, 403, 499; D25/126, 199; 206/526,  
206/320, 326, 453, 557-567, 586, 587, 592,  
206/756; 219/730; 426/107, 118

See application file for complete search history.

(Continued)

*Primary Examiner* — Susan Bennett Hattan

*Assistant Examiner* — Marie Fast Horse

(74) *Attorney, Agent, or Firm* — Harness, Dickey & Pierce,  
P.L.C.

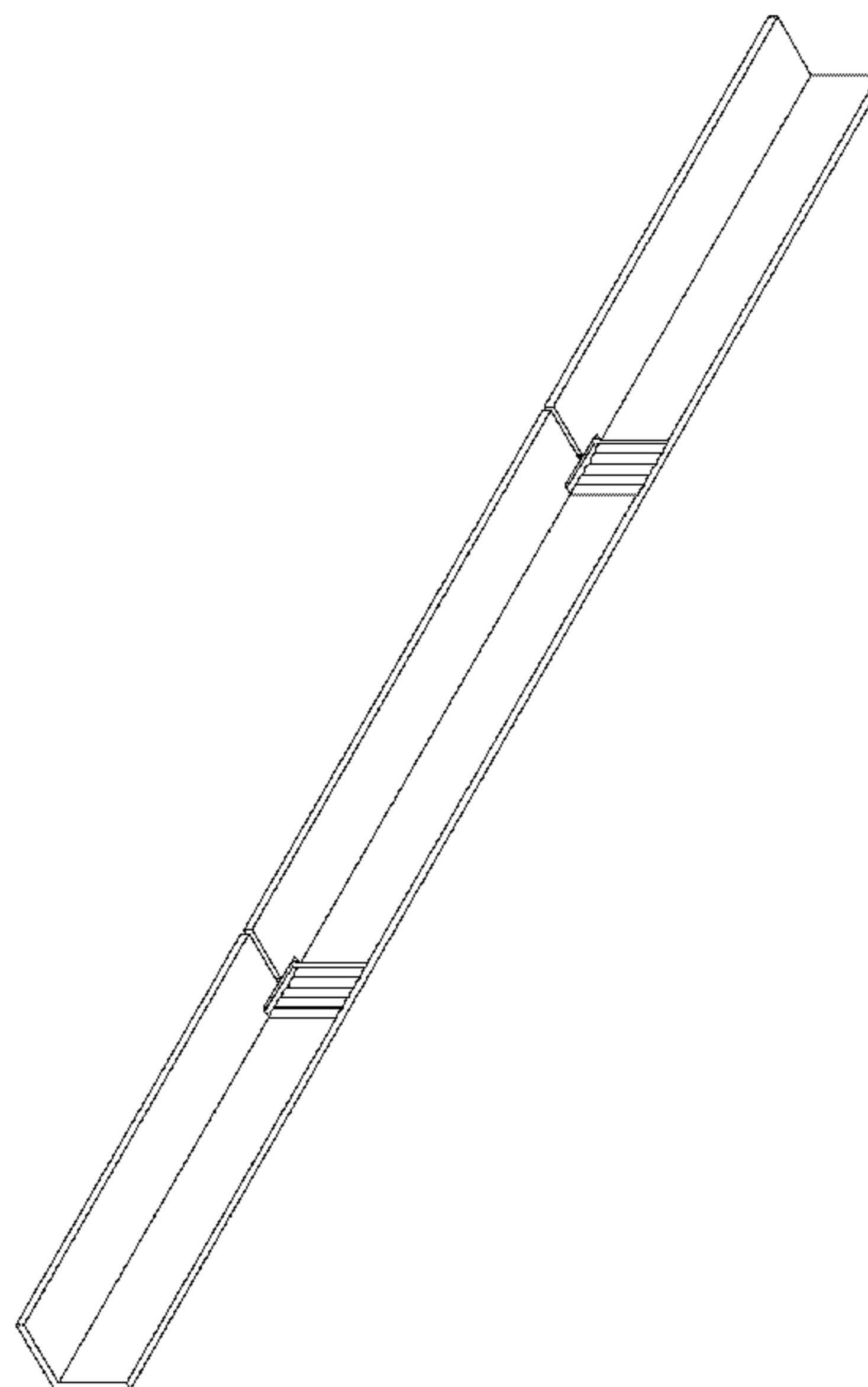
(57) **CLAIM**

The ornamental design for a packaging stacker, as shown and described.

**DESCRIPTION**

FIG. 1 is a view from the above to the front and to the left of the packaging stacker which is the subject of my new design. FIG. 2 is a front elevational view thereof; FIG. 3 is a bottom plan view thereof; FIG. 4 is a top plan view thereof; FIG. 5 is an enlarged left side elevational view thereof; and, FIG. 6 is an enlarged right side elevational view thereof. The broken lines in FIGS. 5 and 6 depict environmental subject matter only and form no part of the claimed design.

**1 Claim, 6 Drawing Sheets**



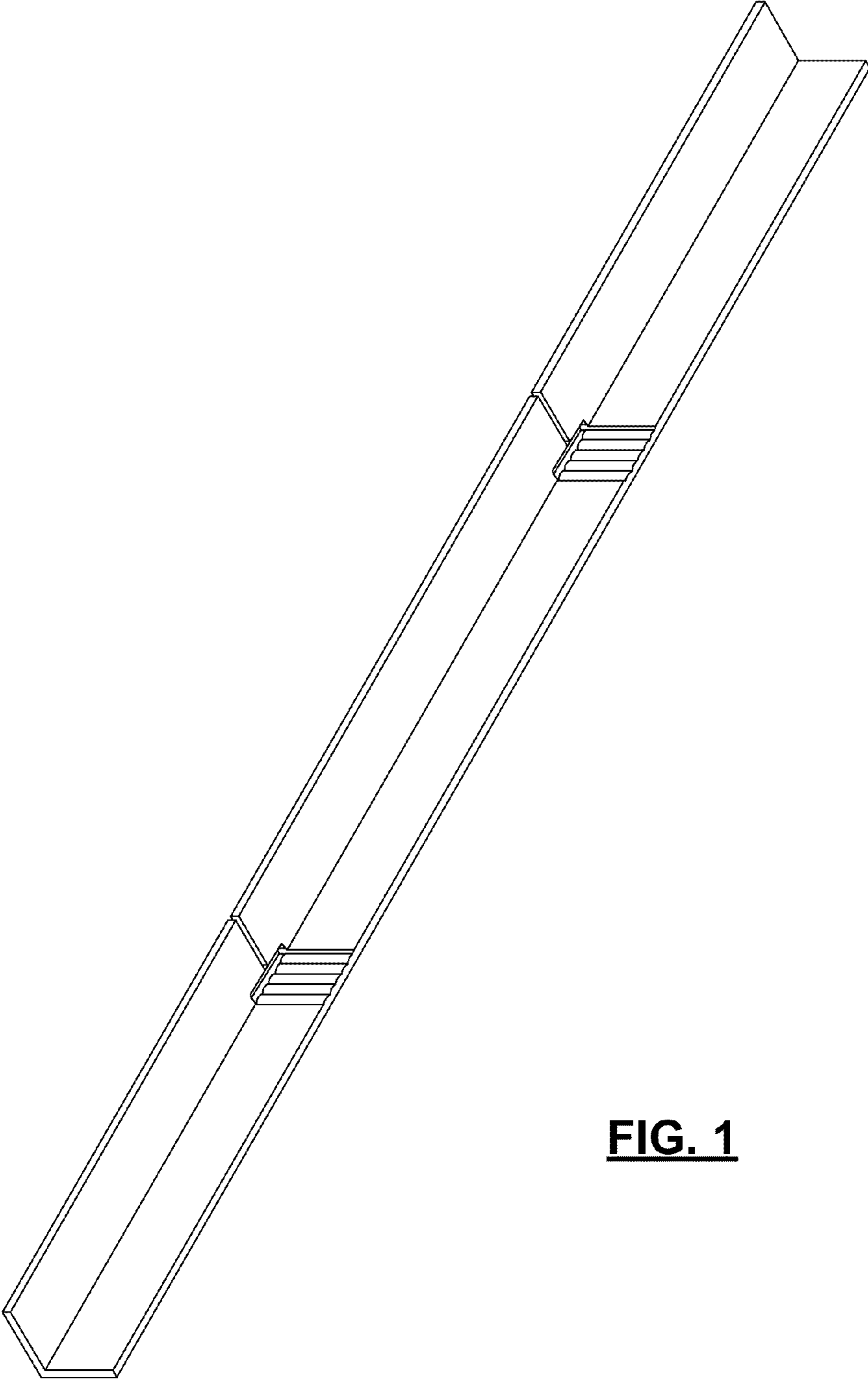
(56)

**References Cited**

U.S. PATENT DOCUMENTS

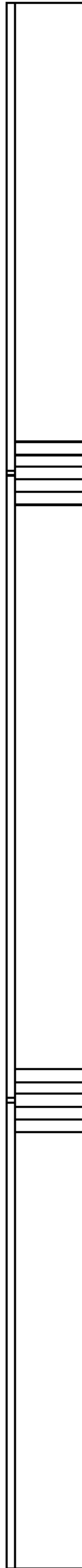
D351,988 S *	11/1994	Gotcher	.....	D8/403	D608,183 S *	1/2010	Meyer et al.	.....	D8/354
5,624,031 A *	4/1997	Fowler et al.	.....	206/391	D628,878 S *	12/2010	Kindig	.....	D8/403
5,675,939 A *	10/1997	Hickner	.....	52/58	D628,881 S *	12/2010	Kindig	.....	D8/403
5,878,455 A *	3/1999	Patterson	.....	5/663	D629,283 S *	12/2010	Spira	.....	D8/354
5,946,862 A *	9/1999	Hoffman	.....	52/58	D637,858 S *	5/2011	Overstreet et al.	.....	D6/607
D415,412 S *	10/1999	Chavers	.....	D8/403	7,950,697 B2 *	5/2011	Werner	.....	281/21.1
6,012,587 A *	1/2000	McCullough	.....	206/586	D653,524 S *	2/2012	Meyer	.....	D8/354
D479,799 S *	9/2003	Zamberg et al.	.....	D8/403	D654,063 S *	2/2012	Sergi	.....	D14/238
7,207,293 B2 *	4/2007	Deming, Jr.	.....	119/706	8,292,082 B2 *	10/2012	Bowman	.....	206/764
D542,645 S *	5/2007	Kovace	.....	D8/403	D686,498 S *	7/2013	Rego	.....	D9/456
7,290,379 B2 *	11/2007	Allen	.....	52/745.19	2004/0155514 A1 *	8/2004	Talley	.....	297/463.1
D587,098 S *	2/2009	Smith	.....	D8/354	2004/0262193 A1 *	12/2004	Korhonen	.....	206/586
D589,632 S *	3/2009	Ryan	.....	D25/126	2005/0087663 A1 *	4/2005	Schroeder	.....	248/345.1
D599,194 S *	9/2009	Meyer et al.	.....	D8/354	2005/0121356 A1 *	6/2005	Wisecarver	.....	206/586
D605,930 S *	12/2009	Piersant	.....	D8/381	2006/0081496 A1 *	4/2006	Carter	.....	206/586
					2010/0187226 A1 *	7/2010	Rego Garcia De Alba ..	220/4.28	
					2013/0156988 A1 *	6/2013	Terwelp et al.	.....	428/44
					2013/0277998 A1 *	10/2013	Ghaznavi	.....	294/142

\* cited by examiner

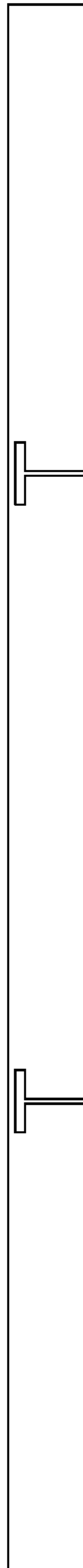


**FIG. 1**

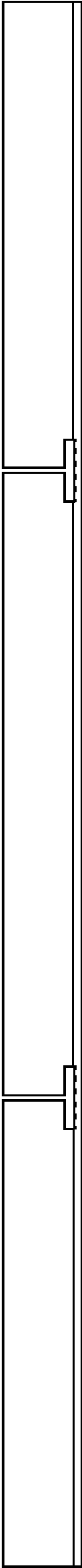
**FIG. 2**

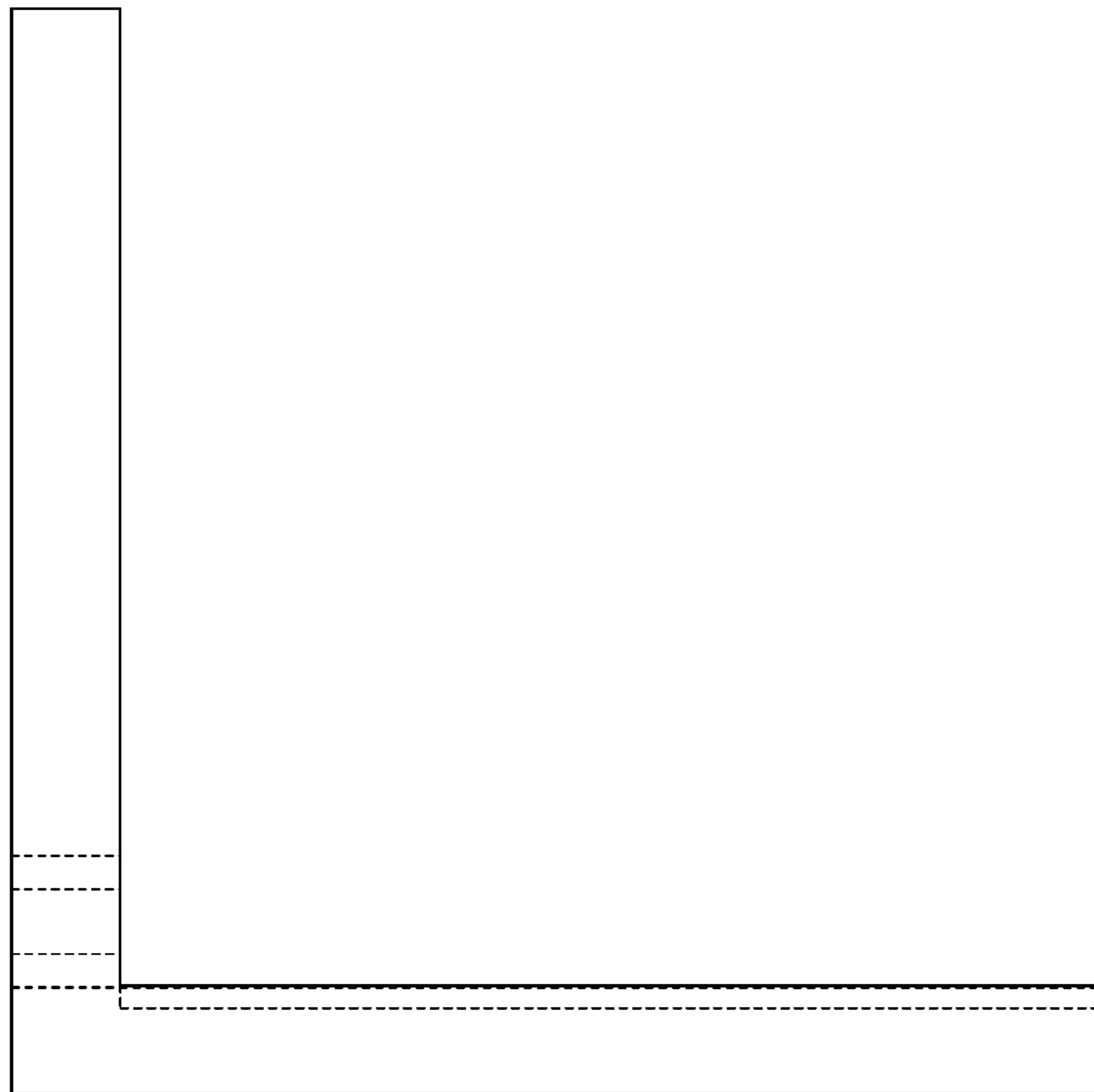


**FIG. 3**

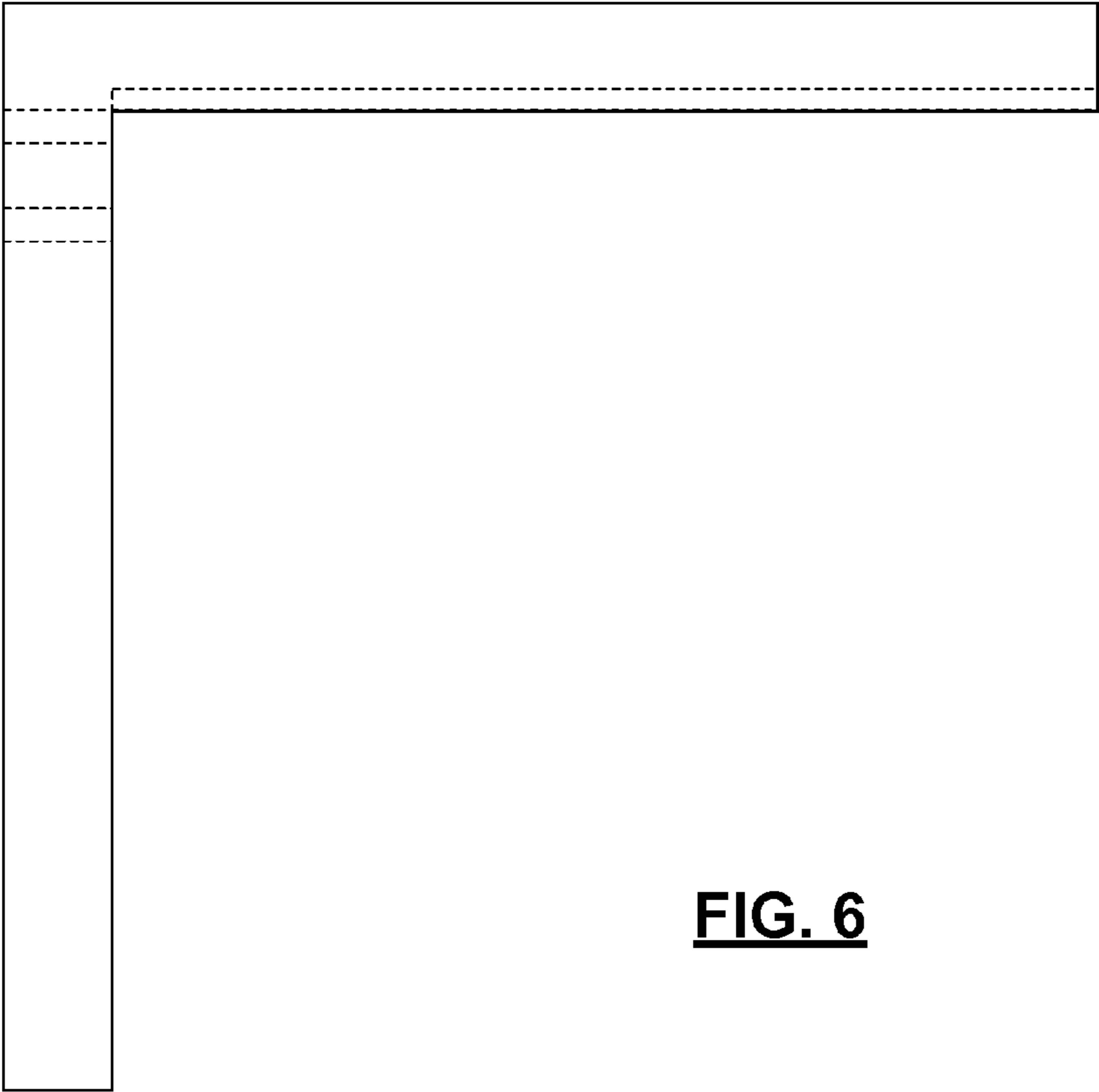


**FIG. 4**





**FIG. 5**



**FIG. 6**