



US00D717651S

(12) **United States Design Patent**
Marina et al.

(10) **Patent No.:** **US D717,651 S**
(45) **Date of Patent:** **** Nov. 18, 2014**

- (54) **CAP**
- (71) Applicant: **PepsiCo, Inc.**, Purchase, NY (US)
- (72) Inventors: **Carlos Hernan Marina**, Deerfield Beach, FL (US); **Jorge Manuel Maquita Nakano**, Distrito Federal (MX); **Tucker Fort**, Brooklyn, NY (US); **Carlos Francisco Gomez**, Querétaro (MX); **Paul Katz**, New York, NY (US); **Jacob Pamborg**, New York, NY (US); **Christopher R. Xydis**, New York, NY (US)
- (73) Assignee: **PepsiCo, Inc.**, Purchase, NY (US)
- (**) Term: **14 Years**
- (21) Appl. No.: **29/460,549**
- (22) Filed: **Jul. 11, 2013**
- (51) **LOC (10) Cl.** **09-07**
- (52) **U.S. Cl.**
USPC **D9/454**
- (58) **Field of Classification Search**
USPC D7/300, 300.1, 392.1, 396.2, 531, 703;
D9/434, 435, 436, 438, 440-445, 447,
D9/449, 499, 502; 215/200, 235, 236, 252,
215/254, 329, 355-364;
220/203.04-203.07, 203.11, 254.4,
220/556, 703, 704, 705, 787, 789
See application file for complete search history.

- D475,573 S * 6/2003 Jalet et al. D7/392.1
- D528,359 S * 9/2006 Laib D7/392.1
- D570,212 S * 6/2008 Sussman D9/444
- D641,209 S * 7/2011 Ablo D7/392.1
- D676,276 S * 2/2013 Muspratt-Williams D7/392.1
- 2010/0055252 A1 3/2010 Marina et al.
- 2011/0166910 A1 7/2011 Marina et al.
- 2012/0183657 A1 7/2012 Marina et al.

FOREIGN PATENT DOCUMENTS

WO 2013/103589 7/2013

* cited by examiner

Primary Examiner — Robert M Spear
Assistant Examiner — Darcey E Heflin

(74) *Attorney, Agent, or Firm* — Banner & Witcoff, Ltd.

(57) **CLAIM**

The ornamental design for a cap, as shown and described.

DESCRIPTION

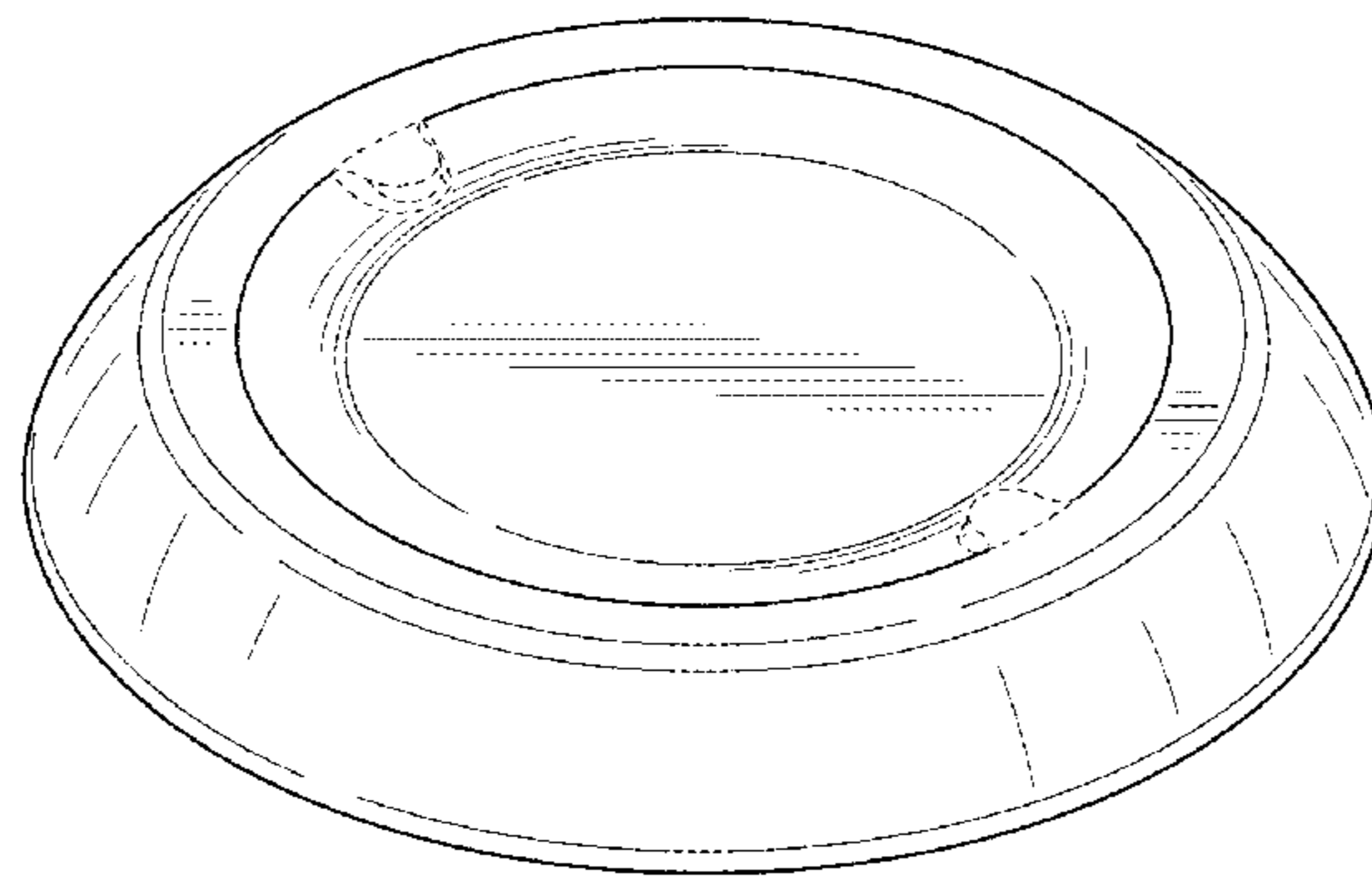
FIG. 1 is a top perspective view of a cap showing our new design;
 FIG. 2 is a front view thereof;
 FIG. 3 is a right side view thereof;
 FIG. 4 is a rear view thereof;
 FIG. 5 is a left side view thereof;
 FIG. 6 is a top view thereof;
 FIG. 7 is a bottom view thereof;
 FIG. 8 is a bottom, front, right perspective view thereof;
 FIG. 9 is a top perspective view thereof shown in an exemplary unclaimed environment;
 FIG. 10 is a top perspective view thereof shown in an exemplary unclaimed environment; and,
 FIG. 11 is a right side view thereof shown in an exemplary unclaimed environment.
 The broken lines immediately adjacent to the shaded area represent unclaimed boundaries of the design. The broken lines showing the remainder of the cap are for environmental purposes only and form no part of the claimed design.

1 Claim, 7 Drawing Sheets

(56) **References Cited**

U.S. PATENT DOCUMENTS

- D281,758 S * 12/1985 Trombly D7/392.1
- D286,026 S * 10/1986 Rayner D9/435
- D309,109 S * 7/1990 Allen D9/436
- D373,727 S * 9/1996 Lowry D9/445
- D381,267 S * 7/1997 Rush et al. D9/452
- D381,268 S * 7/1997 Rush et al. D9/452
- D417,584 S * 12/1999 Lillelund et al. D7/392.1



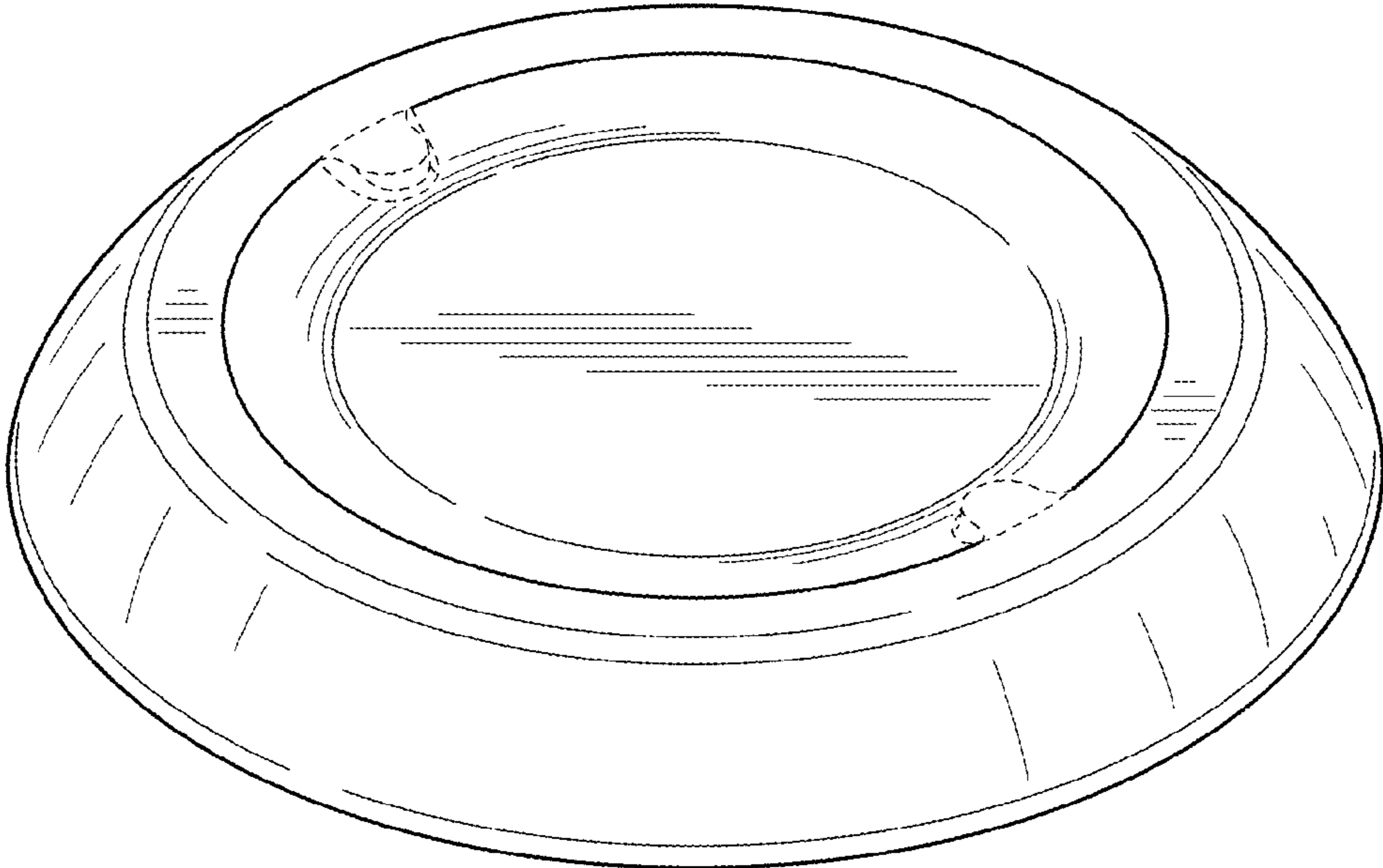


FIG. 1

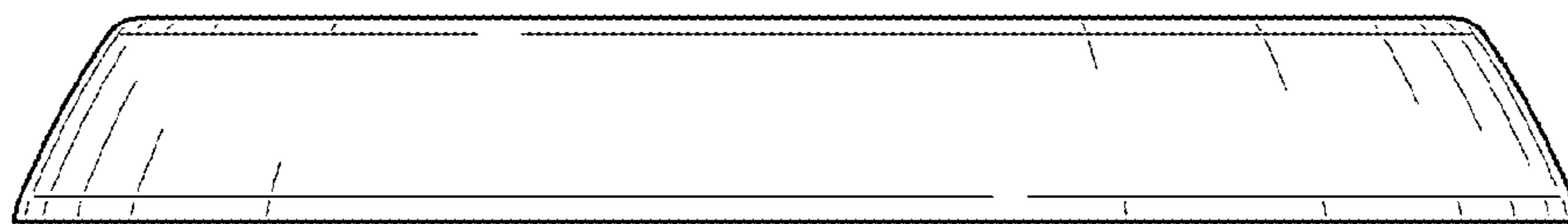


FIG. 2

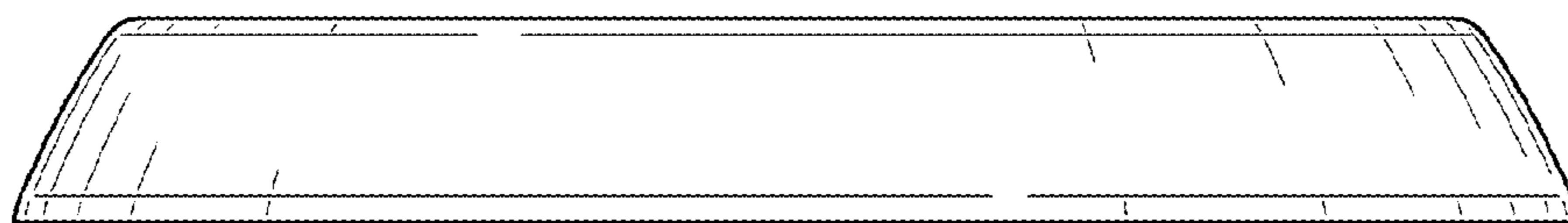


FIG. 3

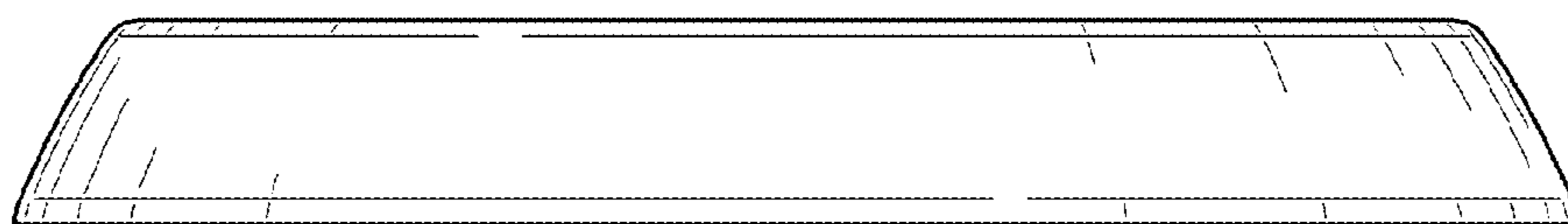


FIG. 4

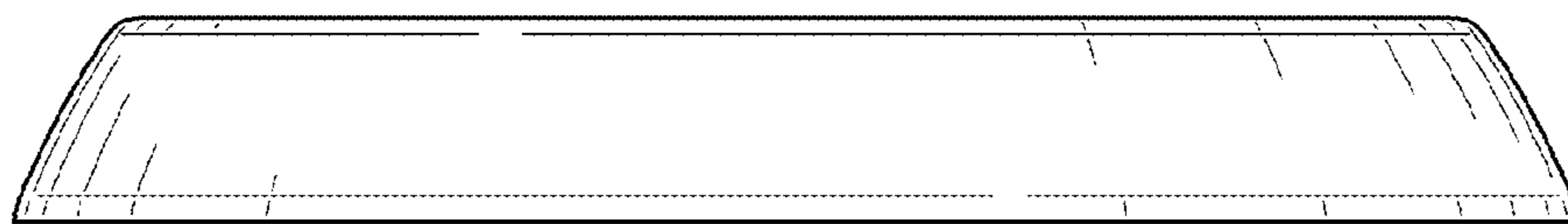


FIG. 5

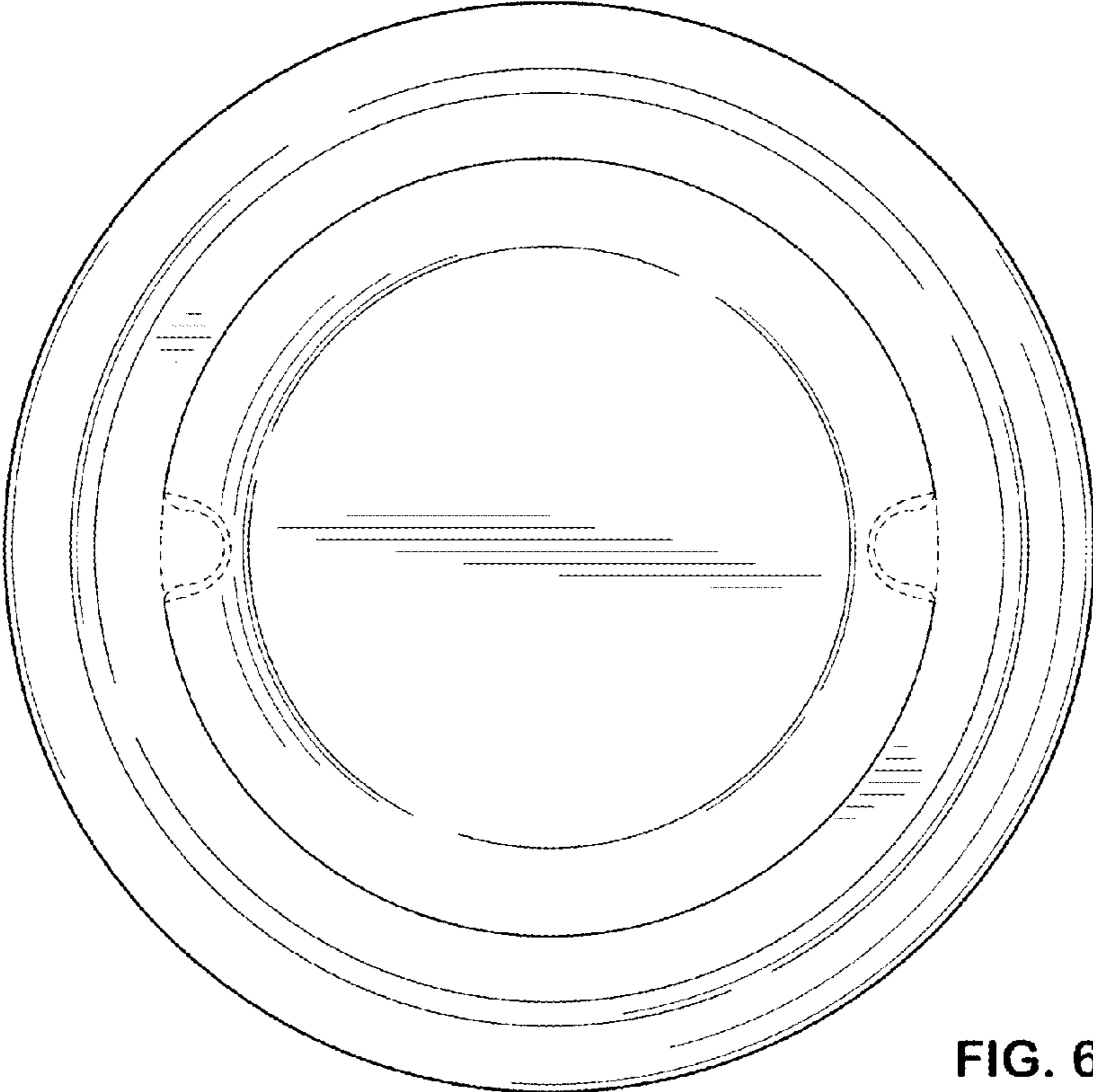


FIG. 6

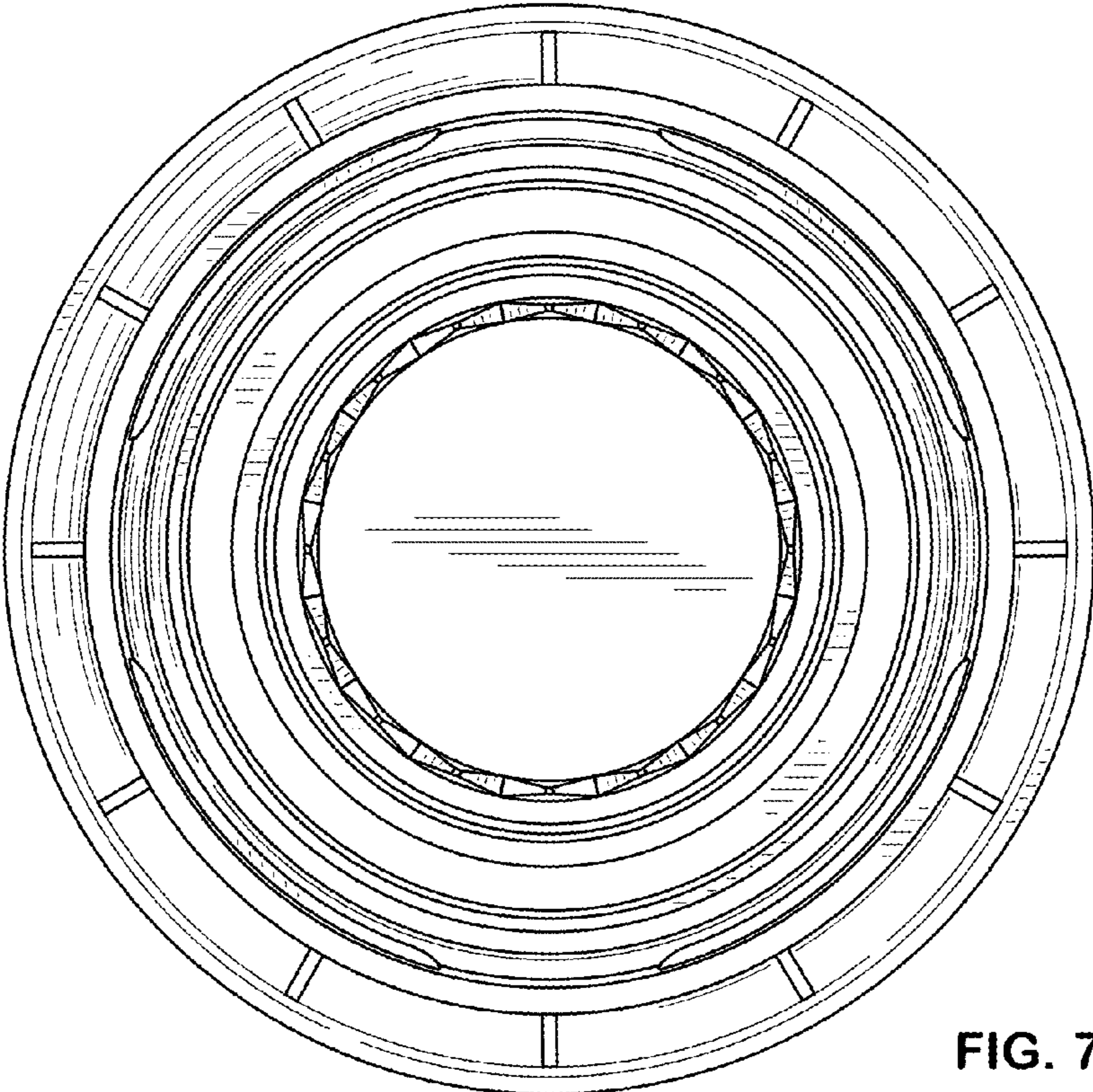


FIG. 7

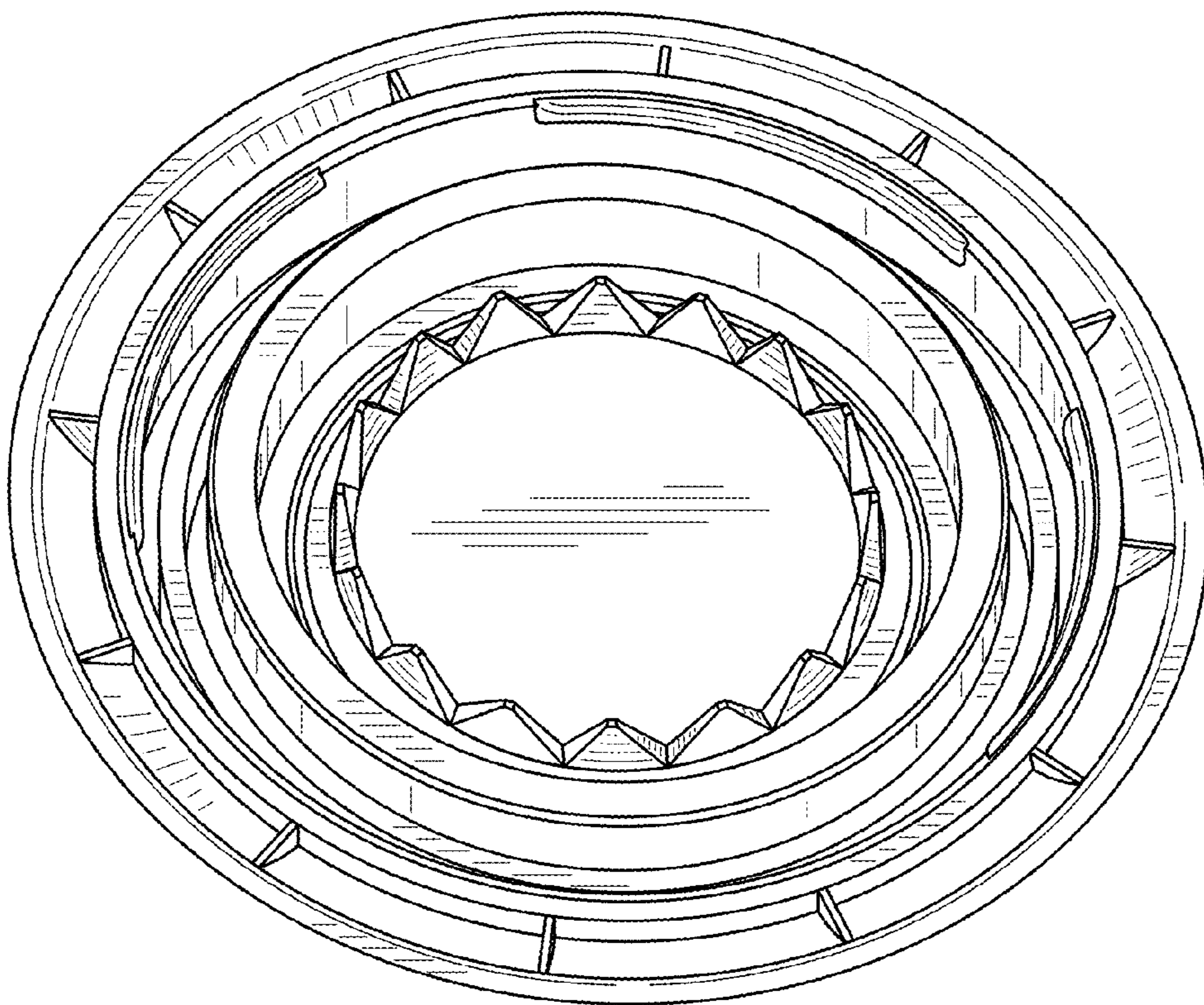


FIG. 8

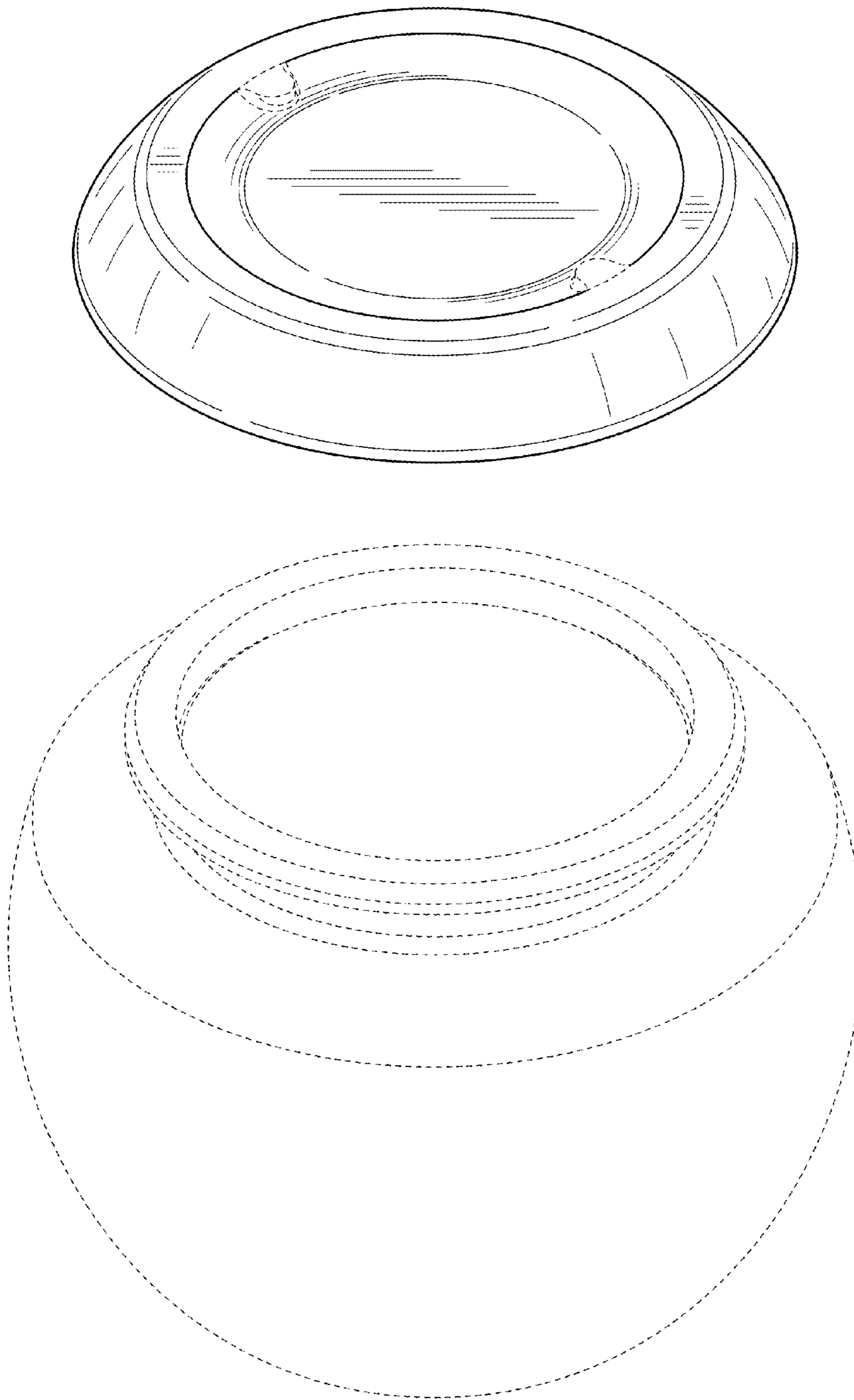


FIG. 9

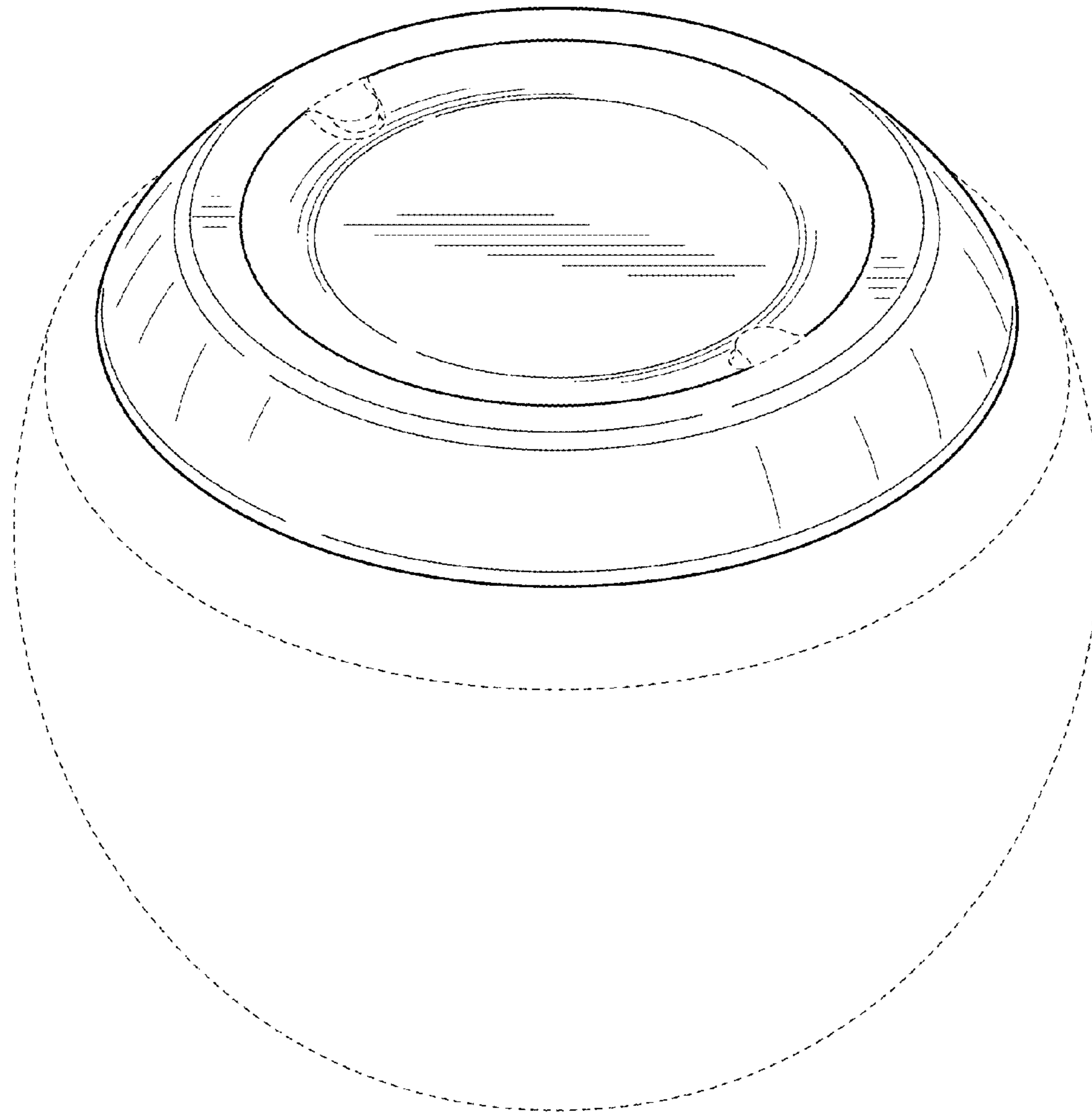


FIG. 10

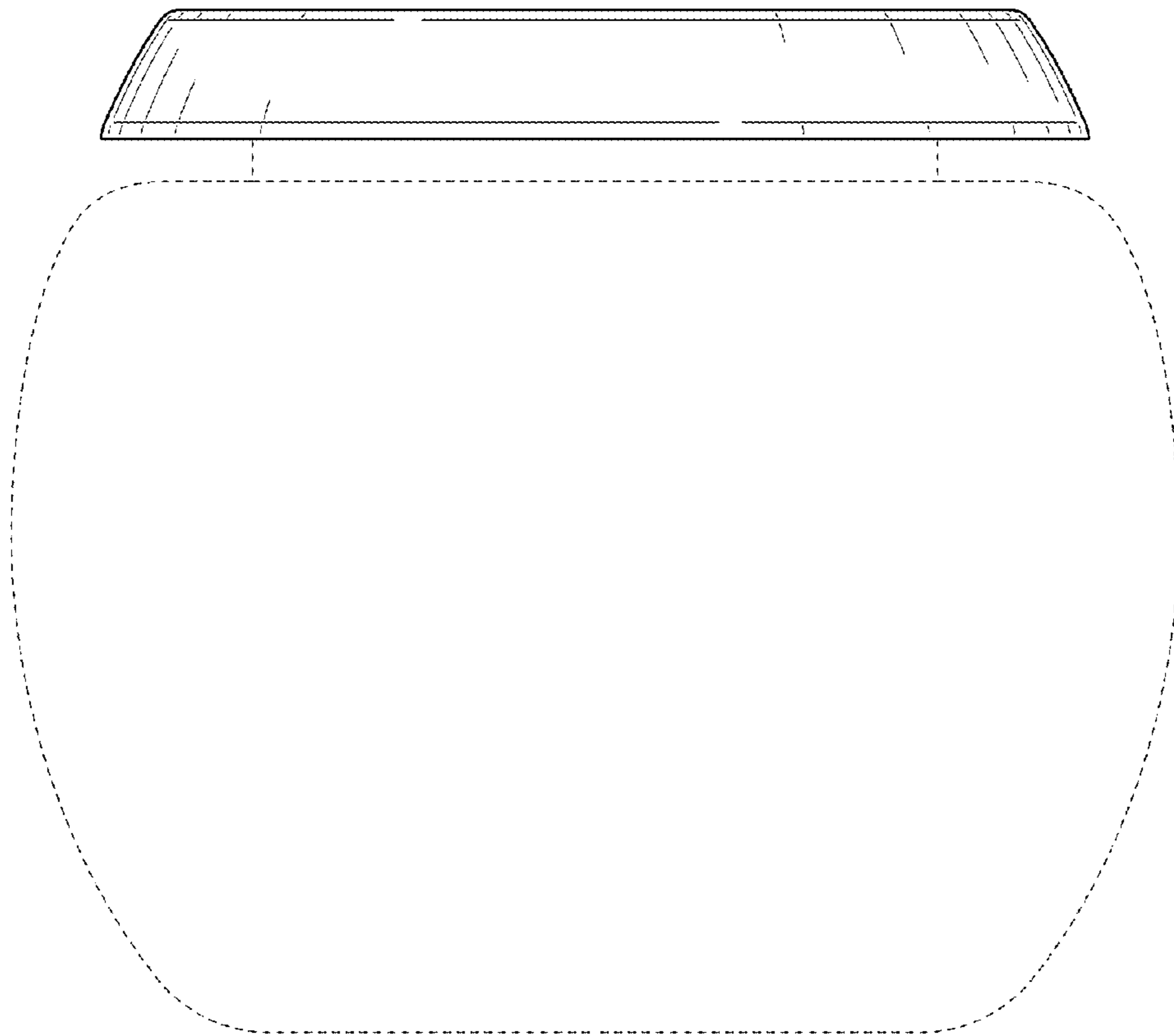


FIG. 11