



US00D717650S

(12) **United States Design Patent**
Tamarindo

(10) **Patent No.:** **US D717,650 S**
(45) **Date of Patent:** **** Nov. 18, 2014**

(54) **CAP FOR A CONTAINER**
(71) Applicant: **Guala Pack S.p.A.**, Alessandria (IT)
(72) Inventor: **Stefano Tamarindo**, Alessandria (IT)
(73) Assignee: **Guala Pack S.p.A.**, Castellazzo
Bormida, Alessandria (IT)
(**) Term: **14 Years**

(21) Appl. No.: **29/455,952**
(22) Filed: **May 28, 2013**

(30) **Foreign Application Priority Data**
Nov. 29, 2012 (IT) BS2012O0030
(51) **LOC (10) Cl.** **09-07**
(52) **U.S. Cl.**
USPC **D9/454**
(58) **Field of Classification Search**
CPC B65D 41/34
USPC D9/434, 435, 443, 449, 452, 453, 454,
D9/708, 709, 710; D7/392, 392.1;
138/96 R; 215/220, 222, 253, 271;
220/281
See application file for complete search history.

(56) **References Cited**
U.S. PATENT DOCUMENTS
D467,501 S * 12/2002 Tacchella D9/451
D547,657 S * 7/2007 Tacchella D9/454

D604,613	S	*	11/2009	Garboni	D9/454
D681,460	S	*	5/2013	Kim	D9/452
D682,694	S	*	5/2013	van den Hoonaard	D9/451
D684,055	S	*	6/2013	Kwon	D9/452
D684,057	S	*	6/2013	Kwon	D9/453
D684,058	S	*	6/2013	Kwon	D9/453
8,627,968	B2	*	1/2014	Baban	215/220
D705,061	S	*	5/2014	Jo et al.	D9/453
D705,062	S	*	5/2014	Jo et al.	D9/453
2012/0211460	A1	*	8/2012	Tamarindo	215/228
2014/0048536	A1	*	2/2014	Bisio	220/266

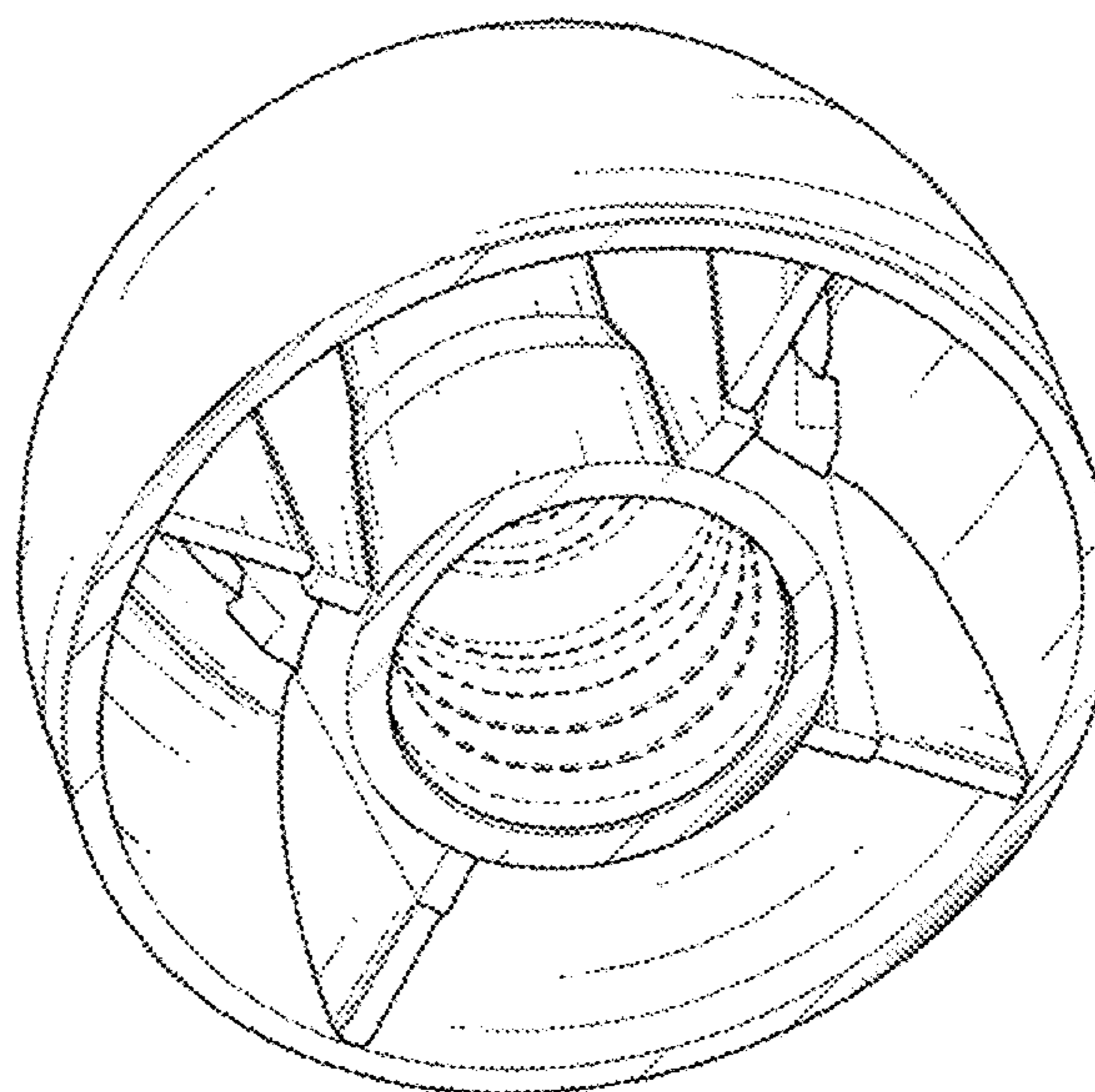
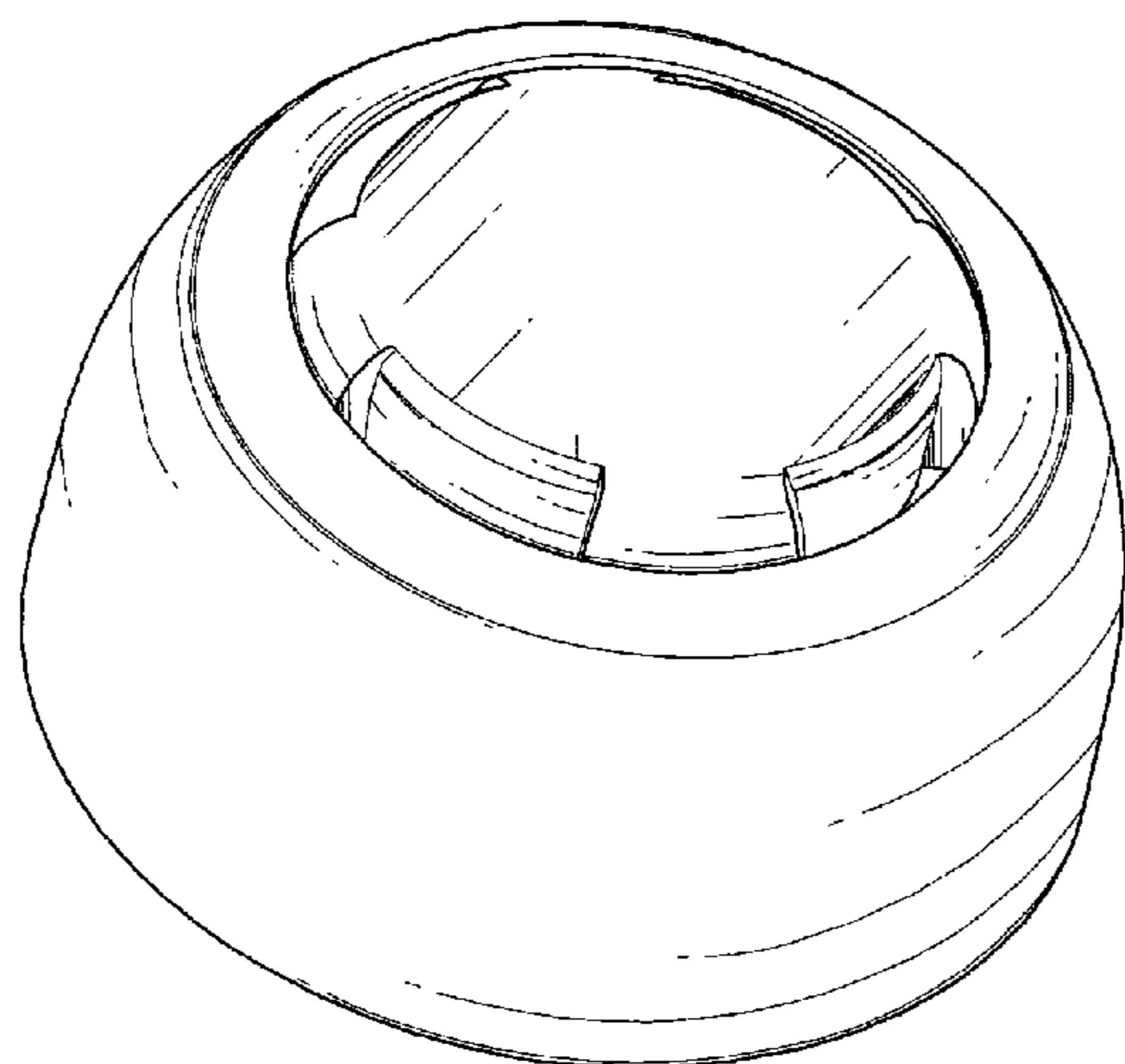
* cited by examiner

Primary Examiner — Robert M Spear
(74) *Attorney, Agent, or Firm* — Thomas|Horstemeyer, LLP

(57) **CLAIM**
The ornamental design for a cap for a container, as shown and described.

DESCRIPTION
FIG. 1 is a top perspective view of my new cap for a container. FIG. 2 is a bottom perspective view of my new cap for a container of FIG. 1. FIG. 3 is a side elevational view of my new cap for a container. FIG. 4 is another side elevational view of my new cap for a container. FIG. 5 is yet another side elevational view of my new cap for a container. FIG. 6 is a top plan view of my new cap for a container; and, FIG. 7 is a bottom plan view of my new cap for a container. The broken lines in the drawings represent unclaimed environmental subject matter and form no part of the claim.

1 Claim, 7 Drawing Sheets



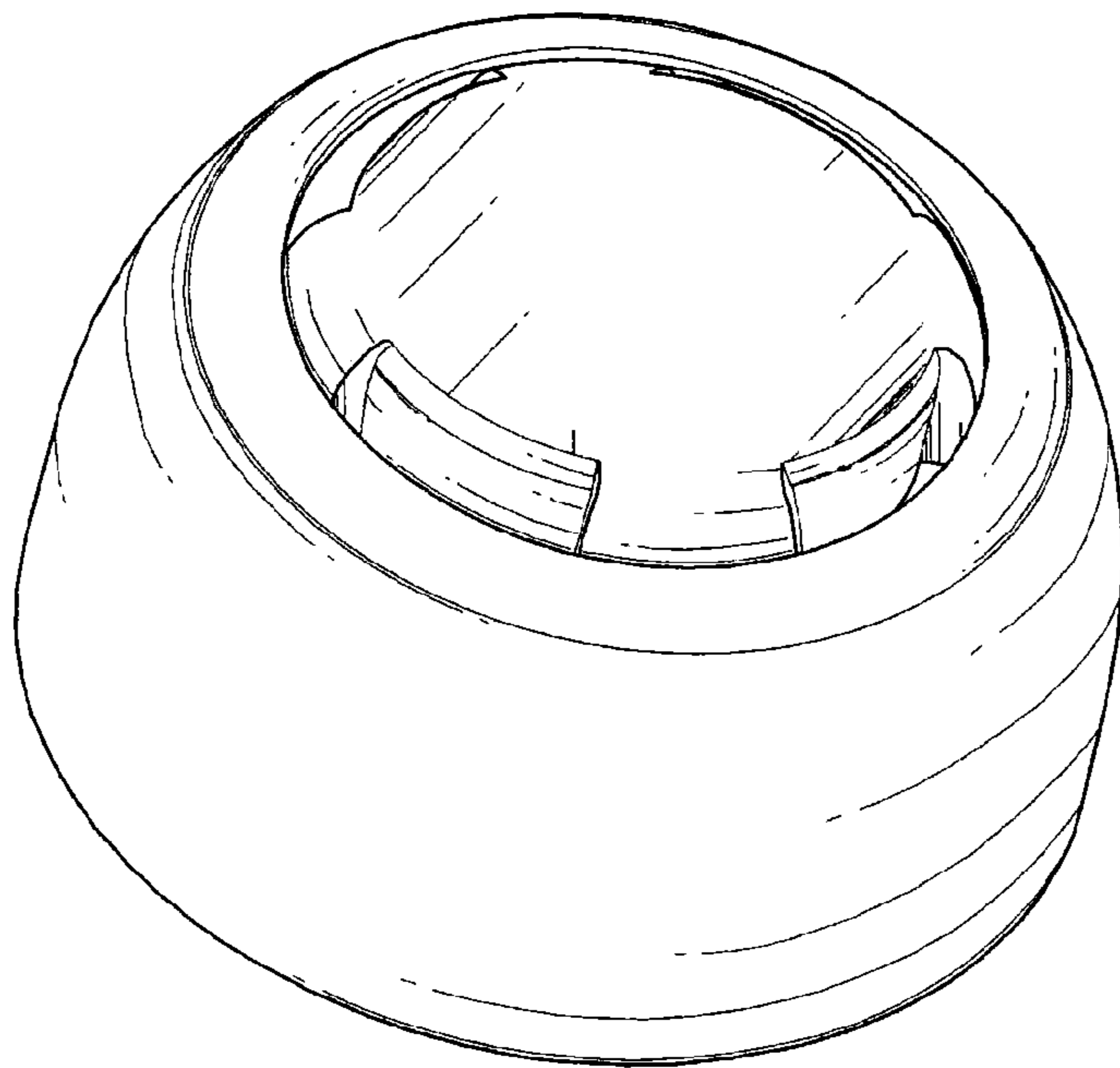


FIG. 1

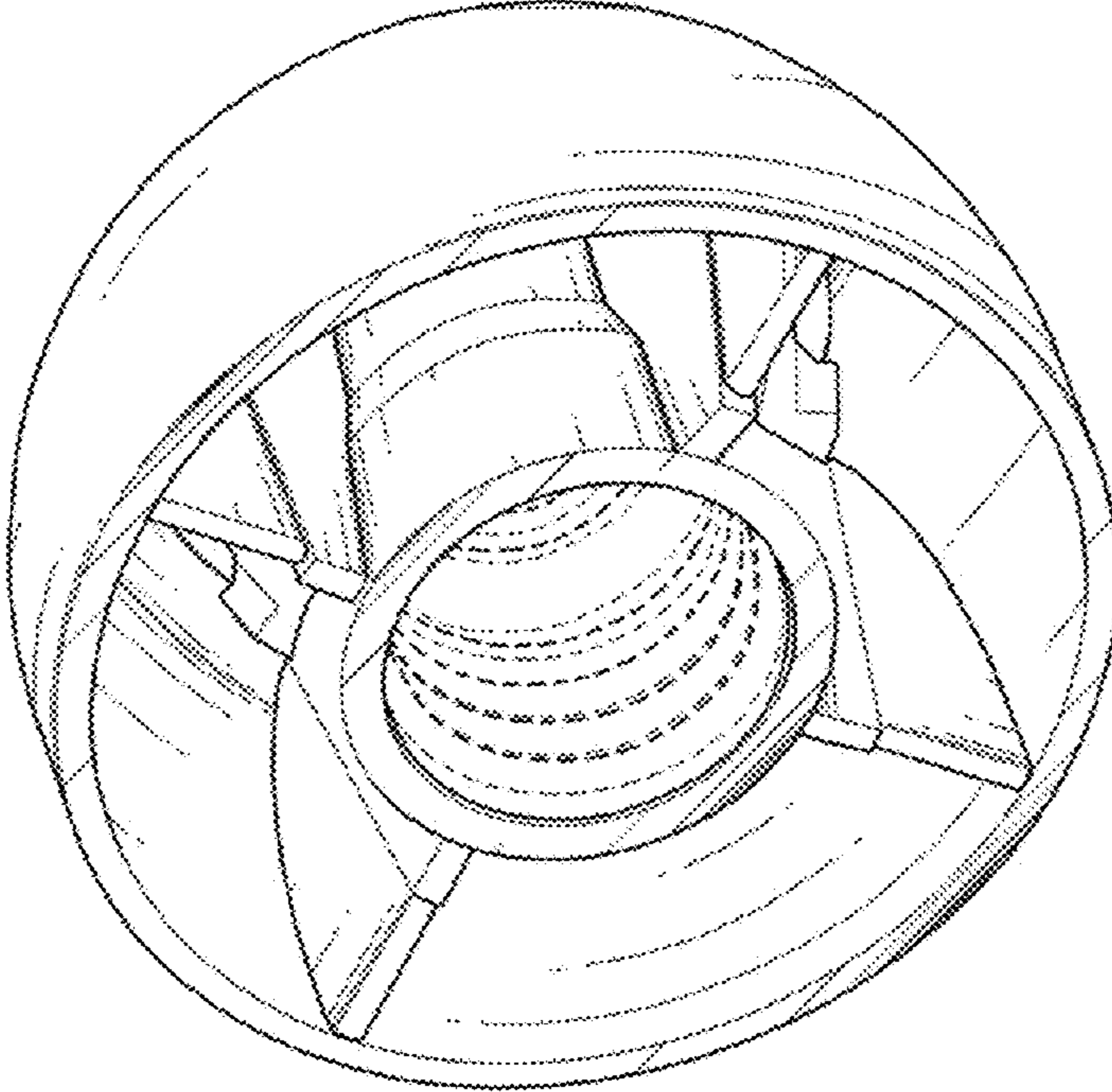


Fig. 2

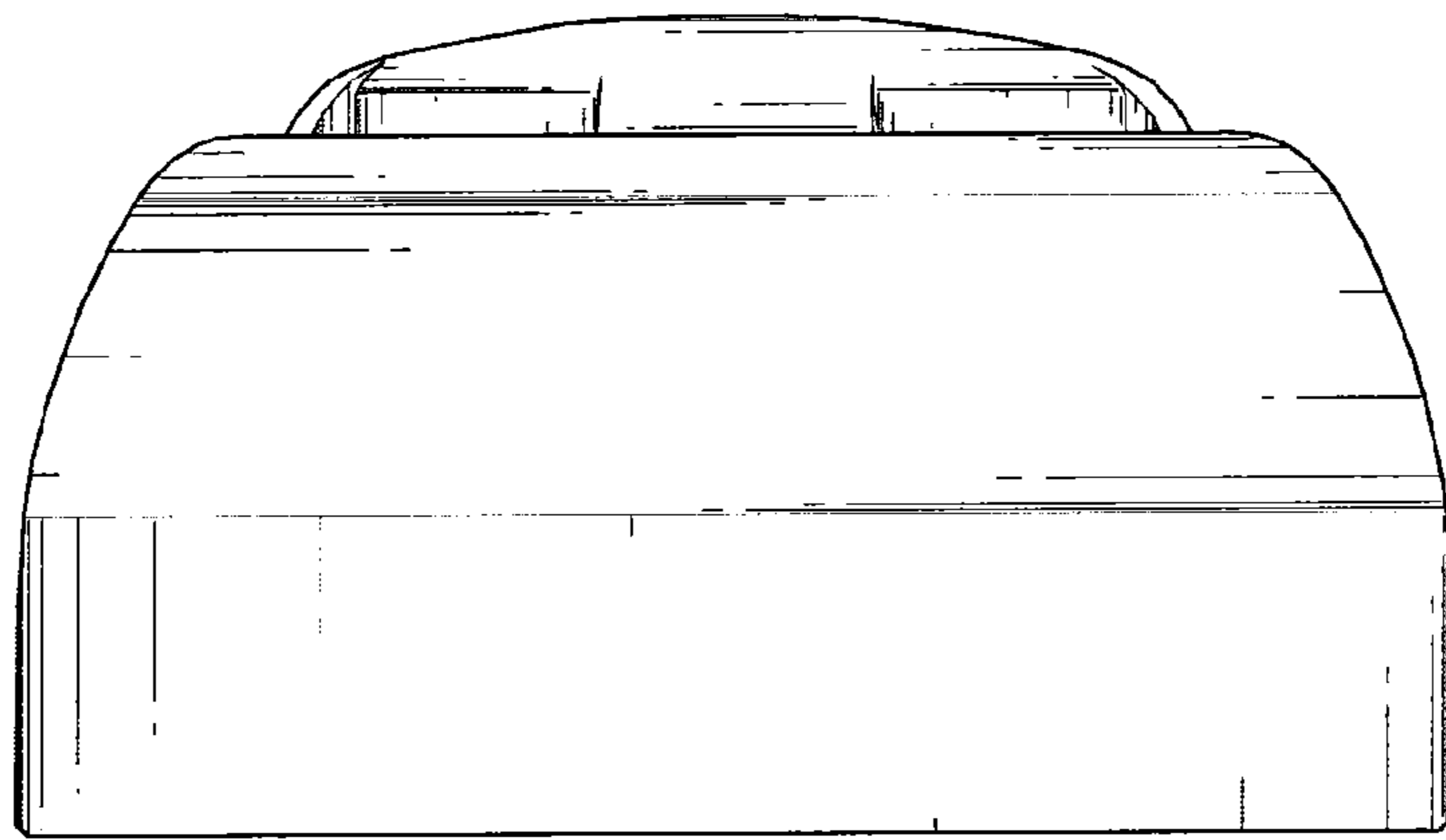


FIG. 3

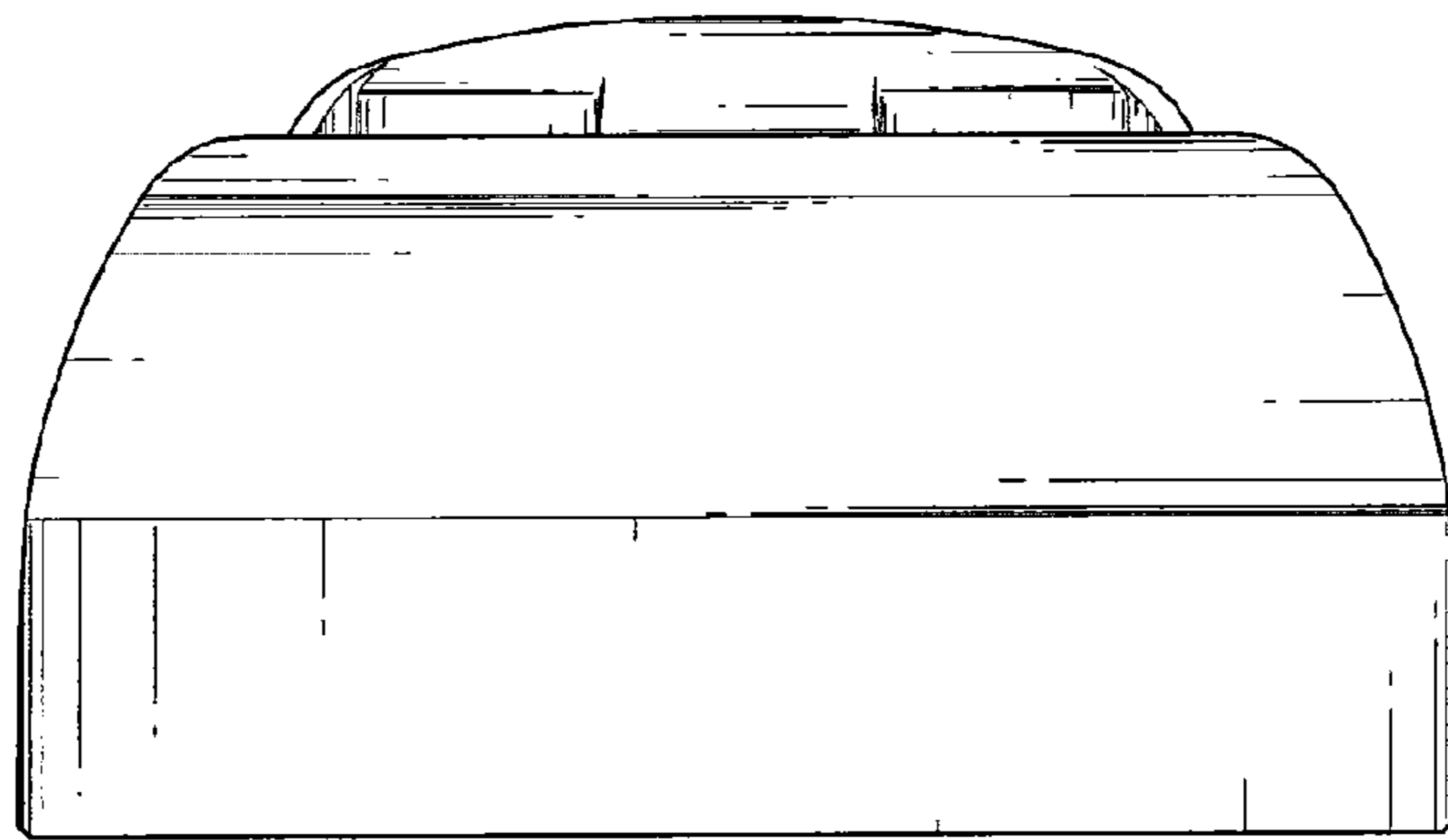


FIG. 4

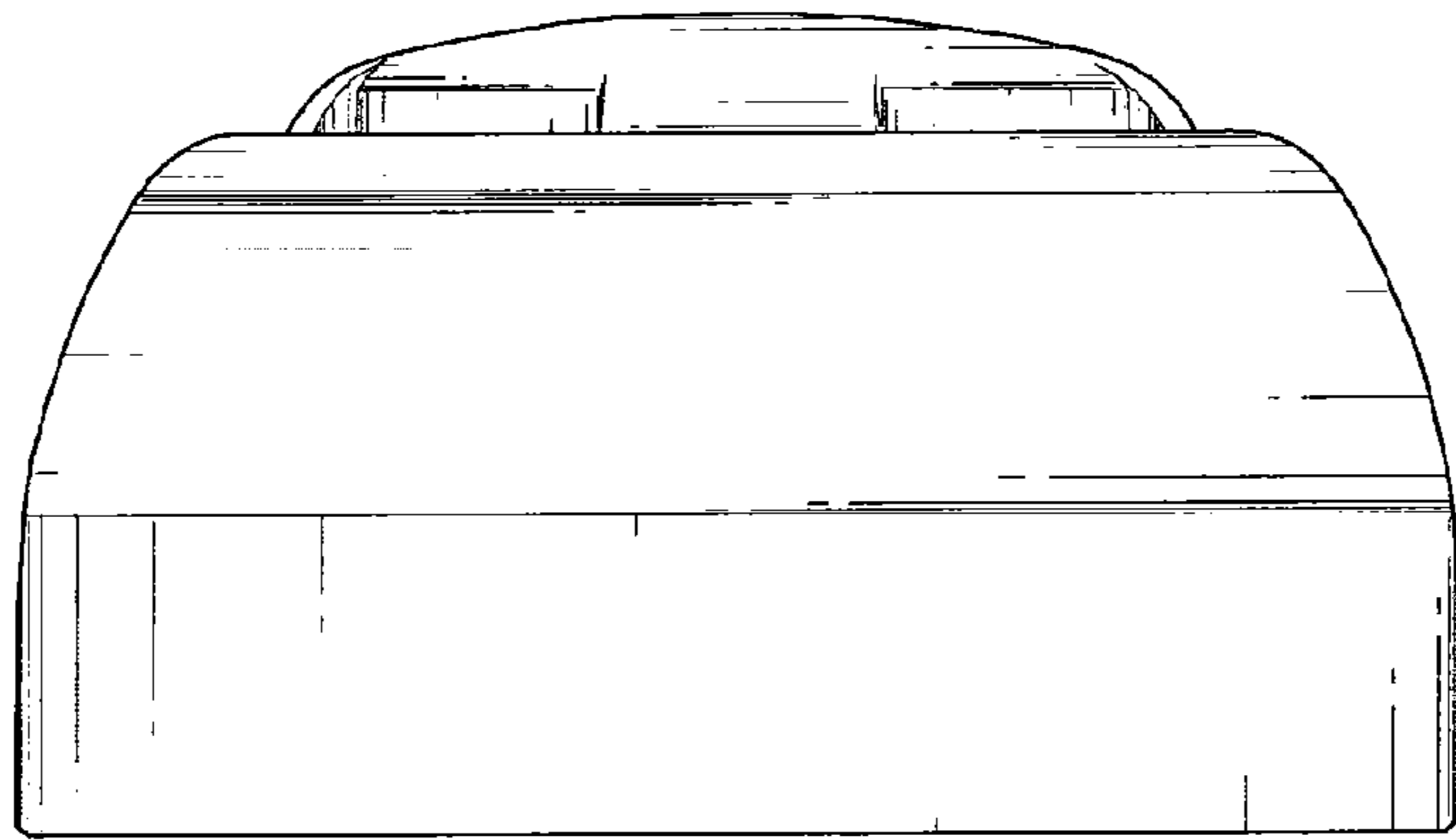


FIG. 5

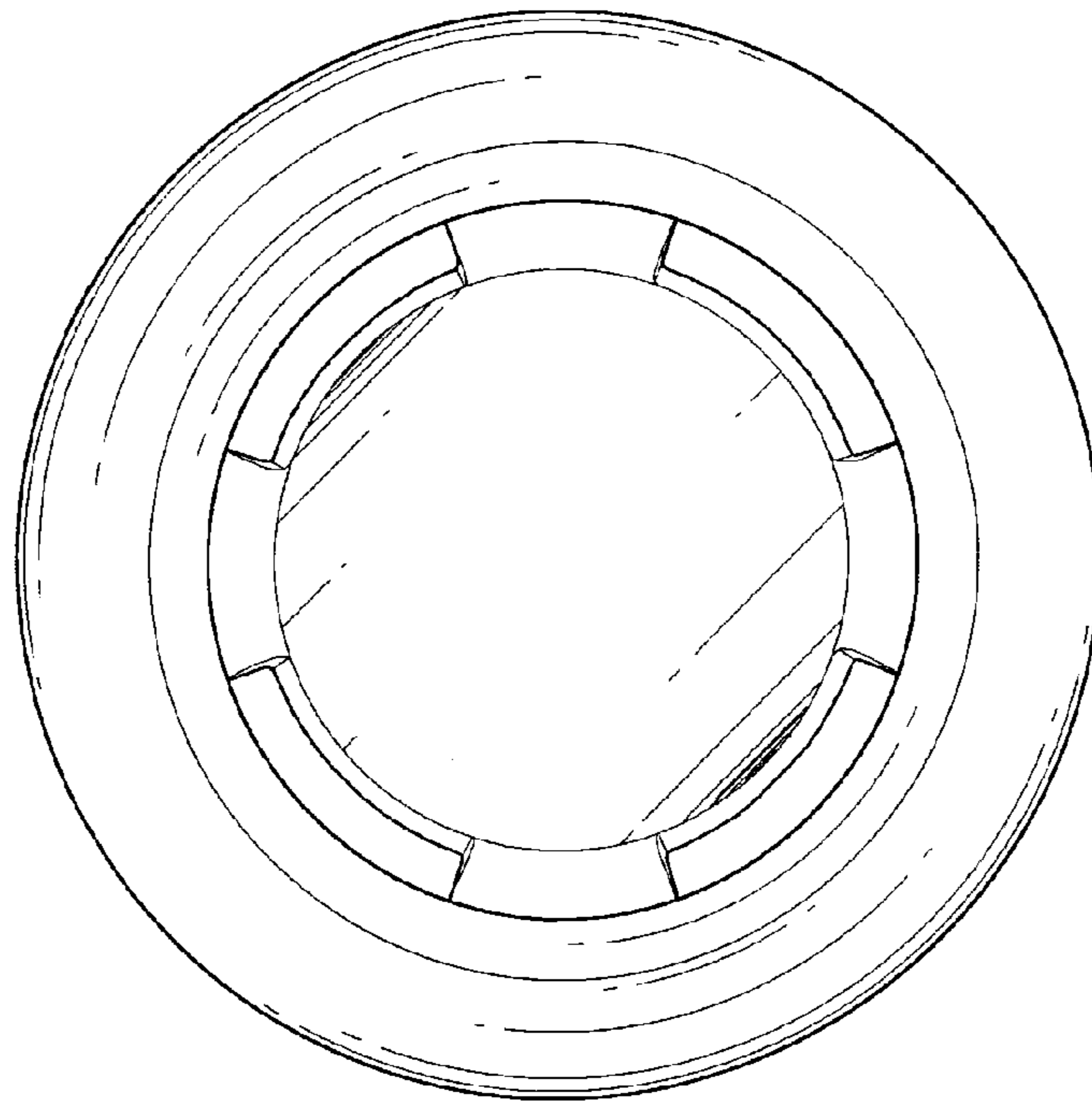


FIG. 6

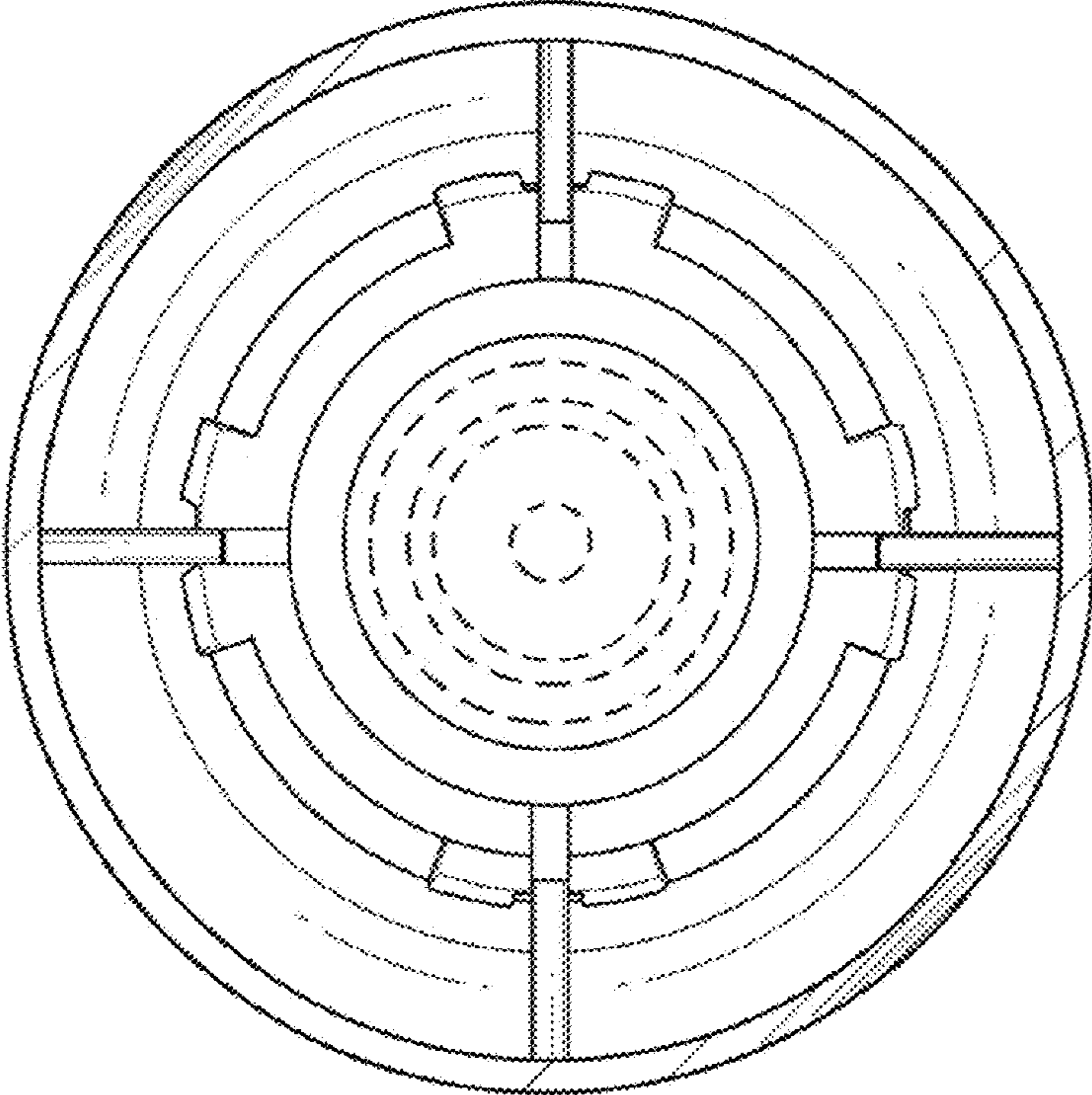


Fig. 7