



US00D717649S

(12) **United States Design Patent**  
**Bloc**

(10) **Patent No.:** **US D717,649 S**

(45) **Date of Patent:** **\*\* Nov. 18, 2014**

(54) **DISPENSER HEAD**

(71) Applicant: **Richard René Bloc,**  
Derchigny-Graincourt (FR)

(72) Inventor: **Richard René Bloc,**  
Derchigny-Graincourt (FR)

(73) Assignee: **Albea Le Treport S.A.S.** (FR)

(\*\*) Term: **14 Years**

(21) Appl. No.: **29/450,638**

(22) Filed: **Mar. 20, 2013**

(30) **Foreign Application Priority Data**

Sep. 20, 2012 (EM) ..... 002106807-0001

(51) **LOC (10) Cl.** ..... **09-07**

(52) **U.S. Cl.**  
USPC ..... **D9/448**

(58) **Field of Classification Search**

CPC ..... F02M 61/08; F02M 61/20  
USPC ..... D9/434, 435, 445, 448, 454, 682, 686,  
D9/688; 239/453; D28/76; 222/252, 330,  
222/331, 401, 402.1, 402.13, 402.22, 566,  
222/630, 631

See application file for complete search history.

(56) **References Cited**

**U.S. PATENT DOCUMENTS**

D325,357 S \* 4/1992 Worthington ..... D10/106.1  
D407,313 S \* 3/1999 Wadsworth et al. .... D9/448

6,000,633 A \* 12/1999 Lund et al. .... 239/211  
D527,256 S \* 8/2006 Gieske ..... D9/445  
D532,300 S \* 11/2006 Moretti ..... D9/448  
D532,301 S \* 11/2006 Moretti ..... D9/448  
D541,170 S \* 4/2007 Bloc ..... D9/692  
D567,651 S \* 4/2008 Bloc ..... D9/448  
D596,939 S \* 7/2009 Moretti ..... D9/448  
D625,186 S \* 10/2010 Rossignol ..... D9/448  
D649,878 S \* 12/2011 Weiss ..... D9/447  
D680,432 S \* 4/2013 Geier ..... D9/448

\* cited by examiner

*Primary Examiner* — Robert M Spear

(74) *Attorney, Agent, or Firm* — St. Onge Steward Johnston  
& Reens LLC

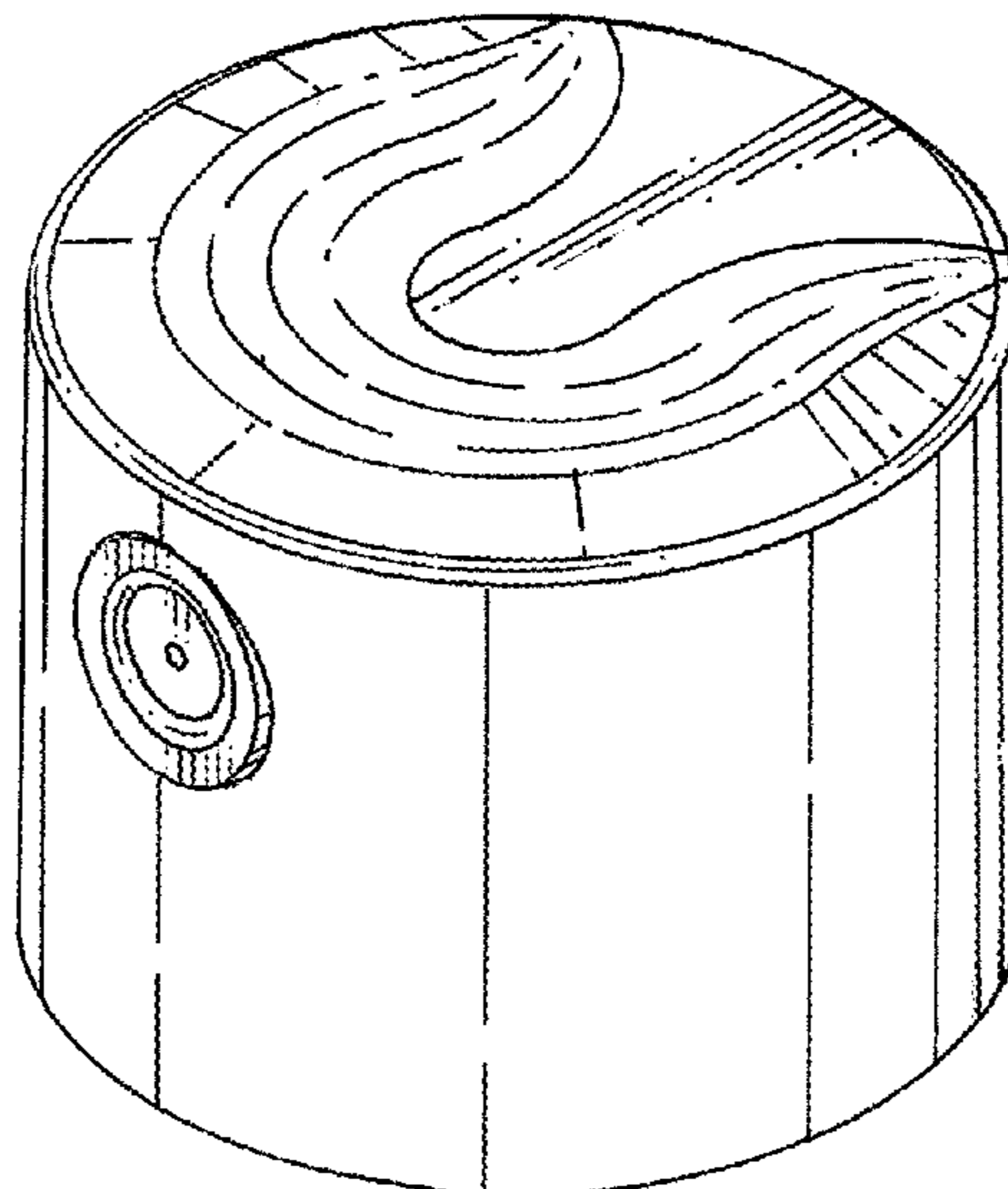
(57) **CLAIM**

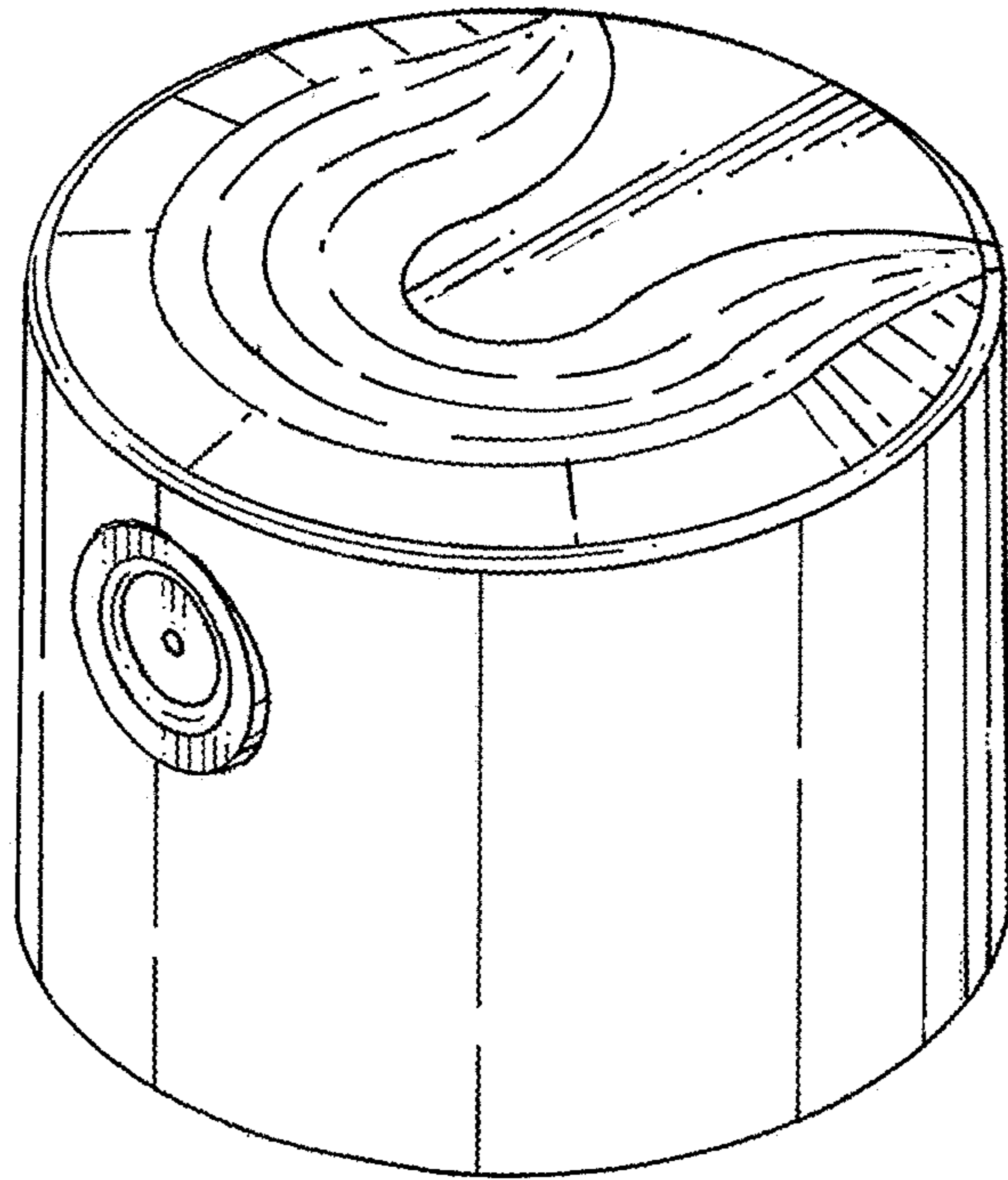
The ornamental design for a dispenser head, as shown and described.

**DESCRIPTION**

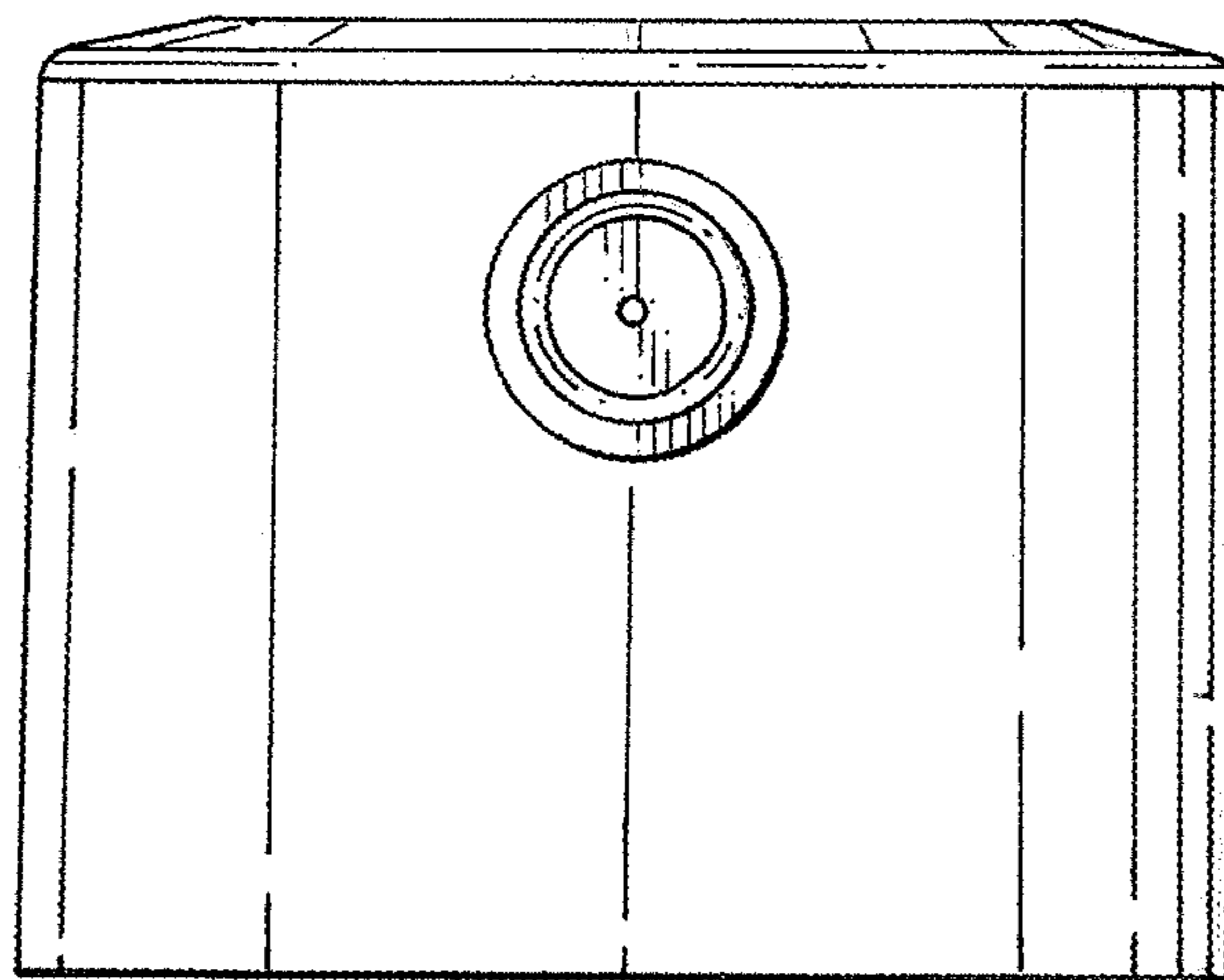
FIG. 1 is a top left side isometric view of a dispenser head in accordance with the new design;  
FIG. 2 is a front elevation view thereof;  
FIG. 3 is a rear elevation view thereof;  
FIG. 4 is a right side elevation view thereof;  
FIG. 5 is a left side elevation view thereof;  
FIG. 6 is a top plan view thereof; and,  
FIG. 7 is a bottom plan view thereof.  
The broken lines shown in FIG. 7 represent the bounds of the claimed design, with the lines themselves and the areas within them forming no part of the claimed design.

**1 Claim, 4 Drawing Sheets**

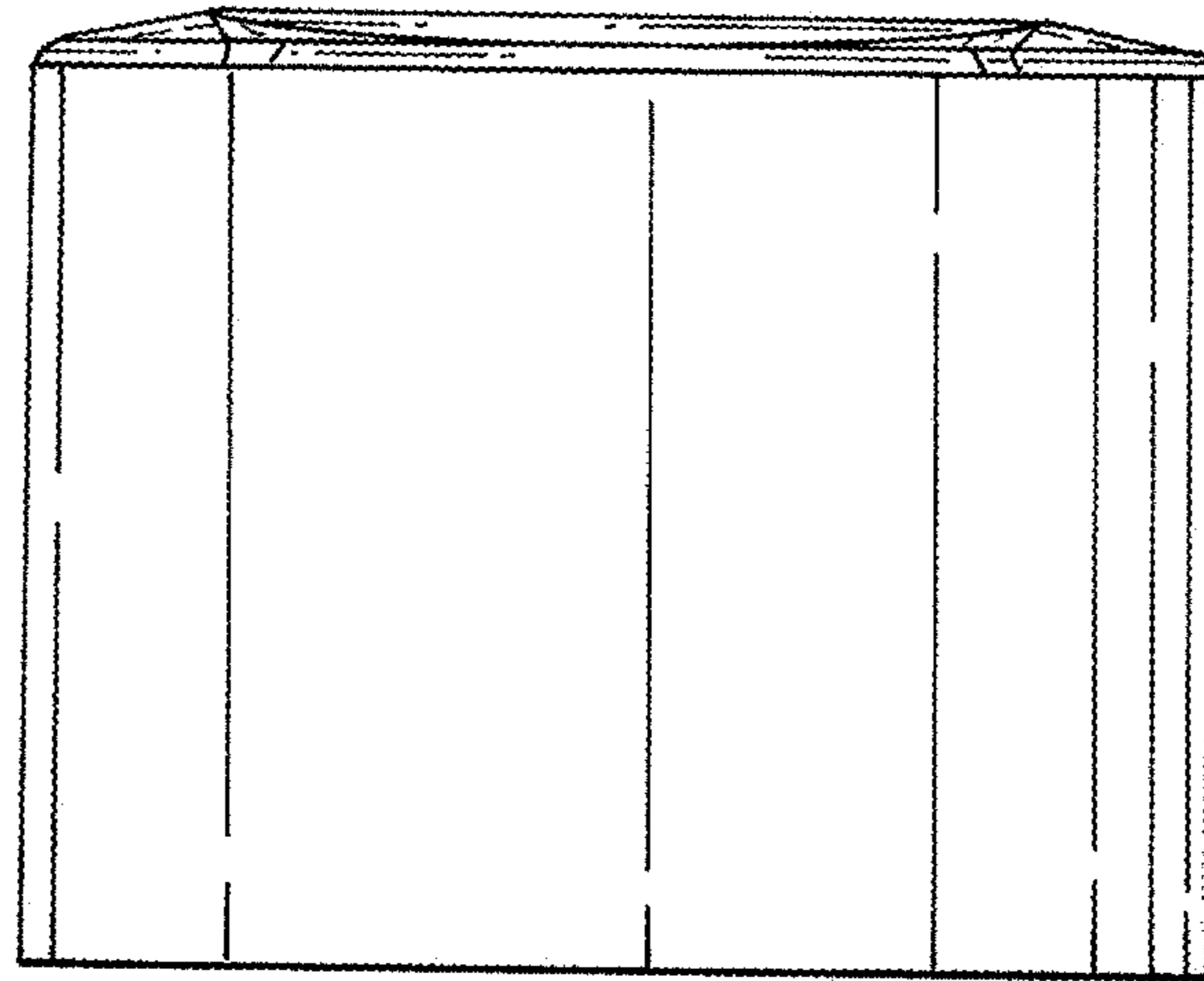




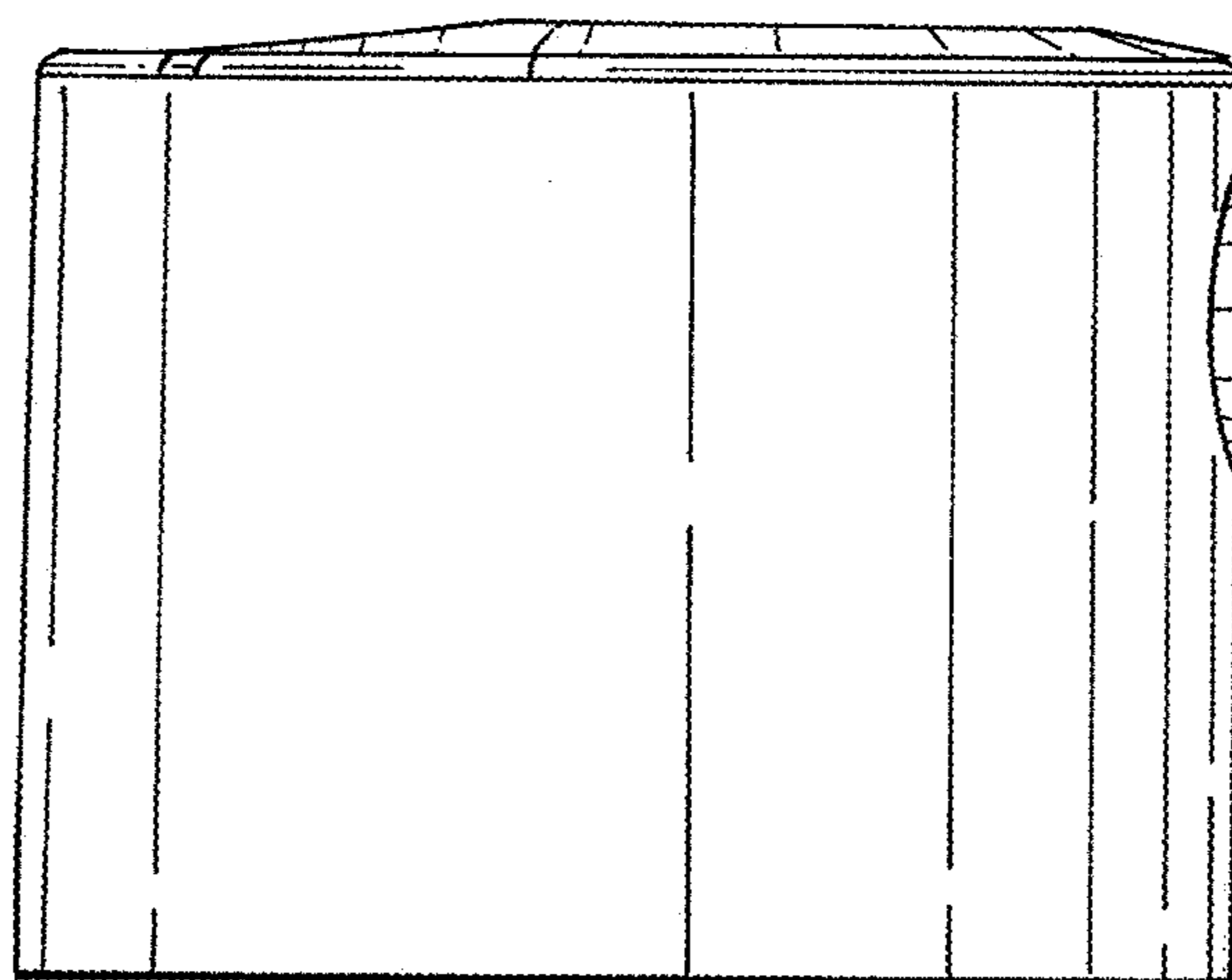
*FIG. 1*



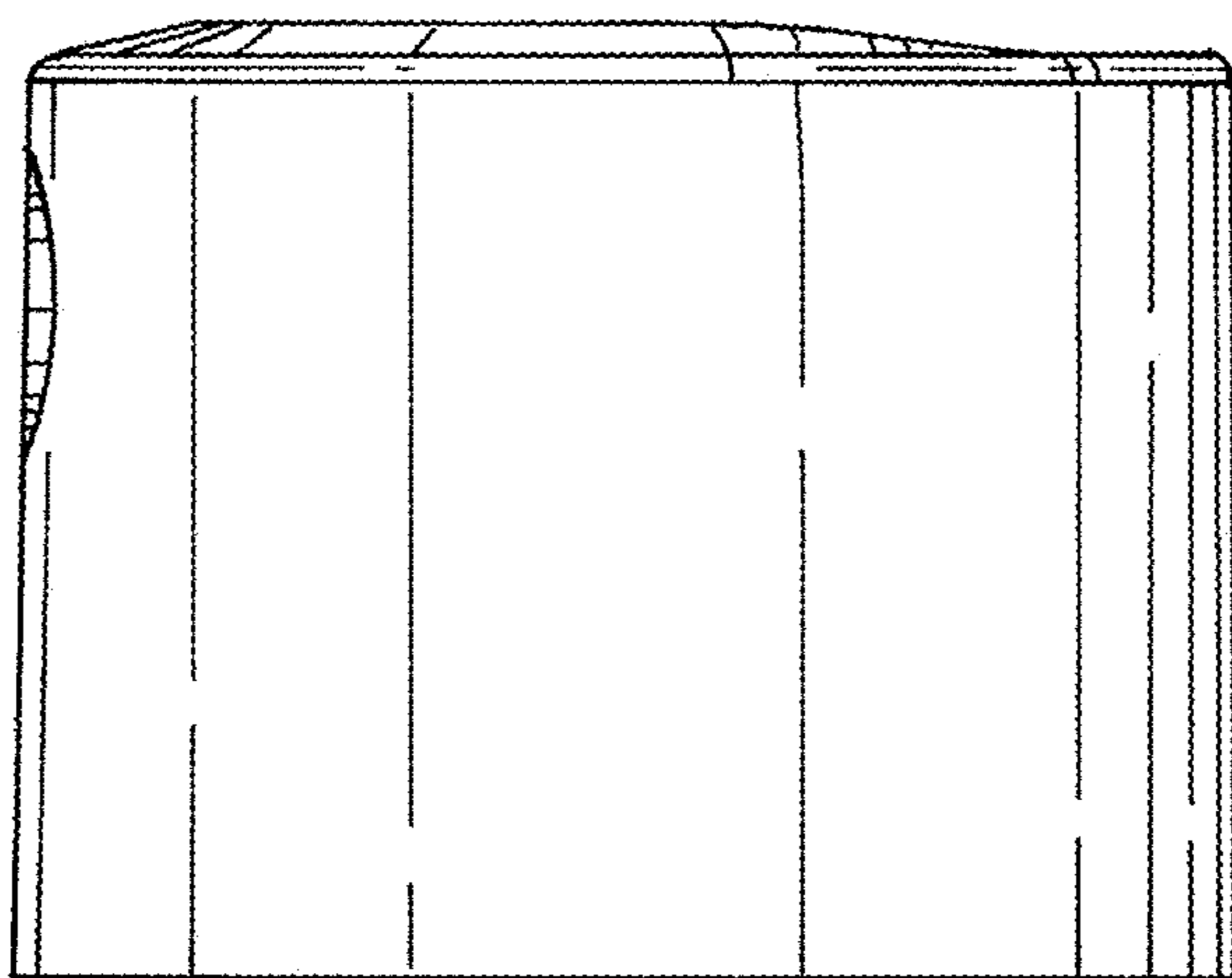
*FIG. 2*



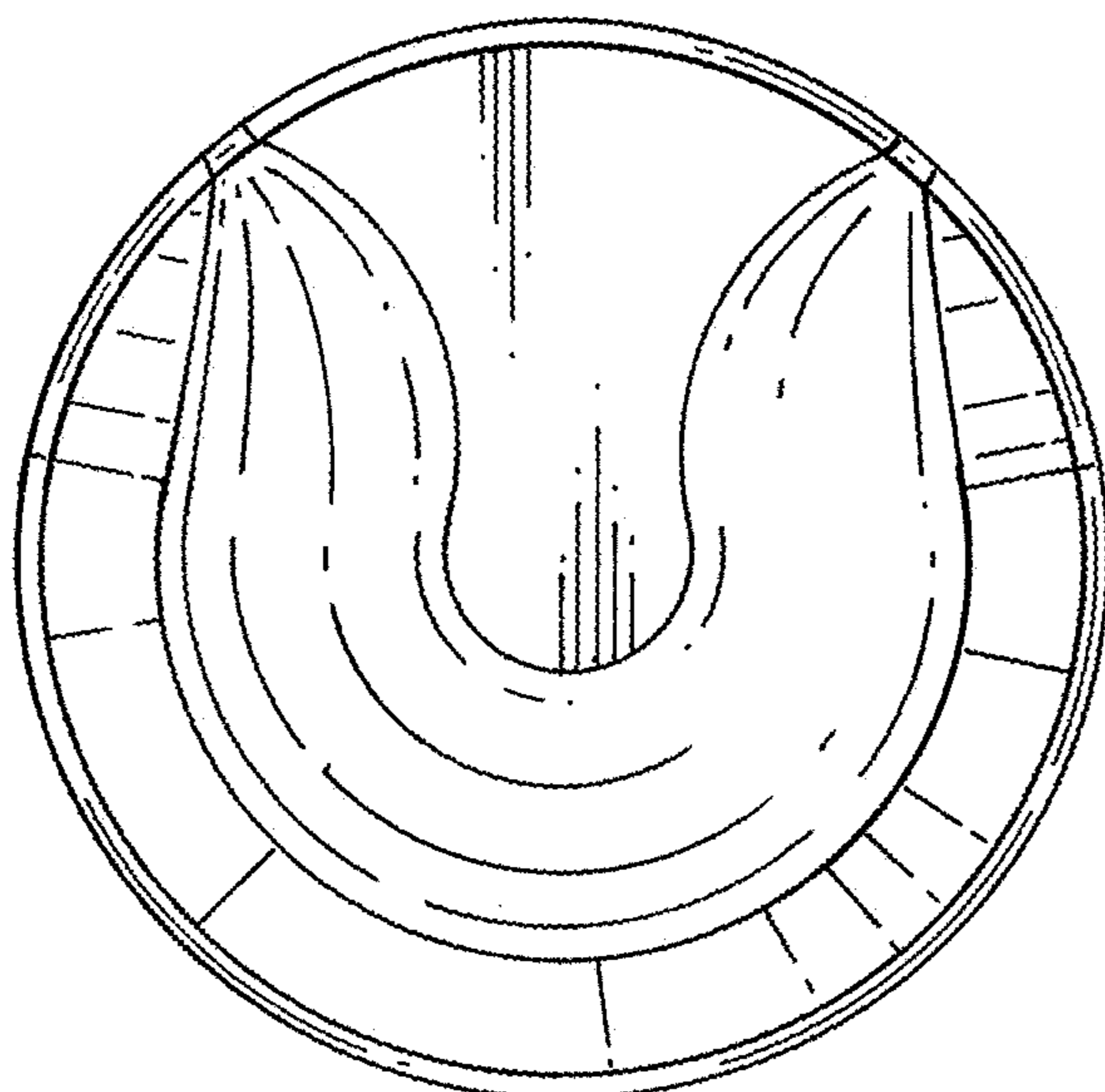
*FIG. 3*



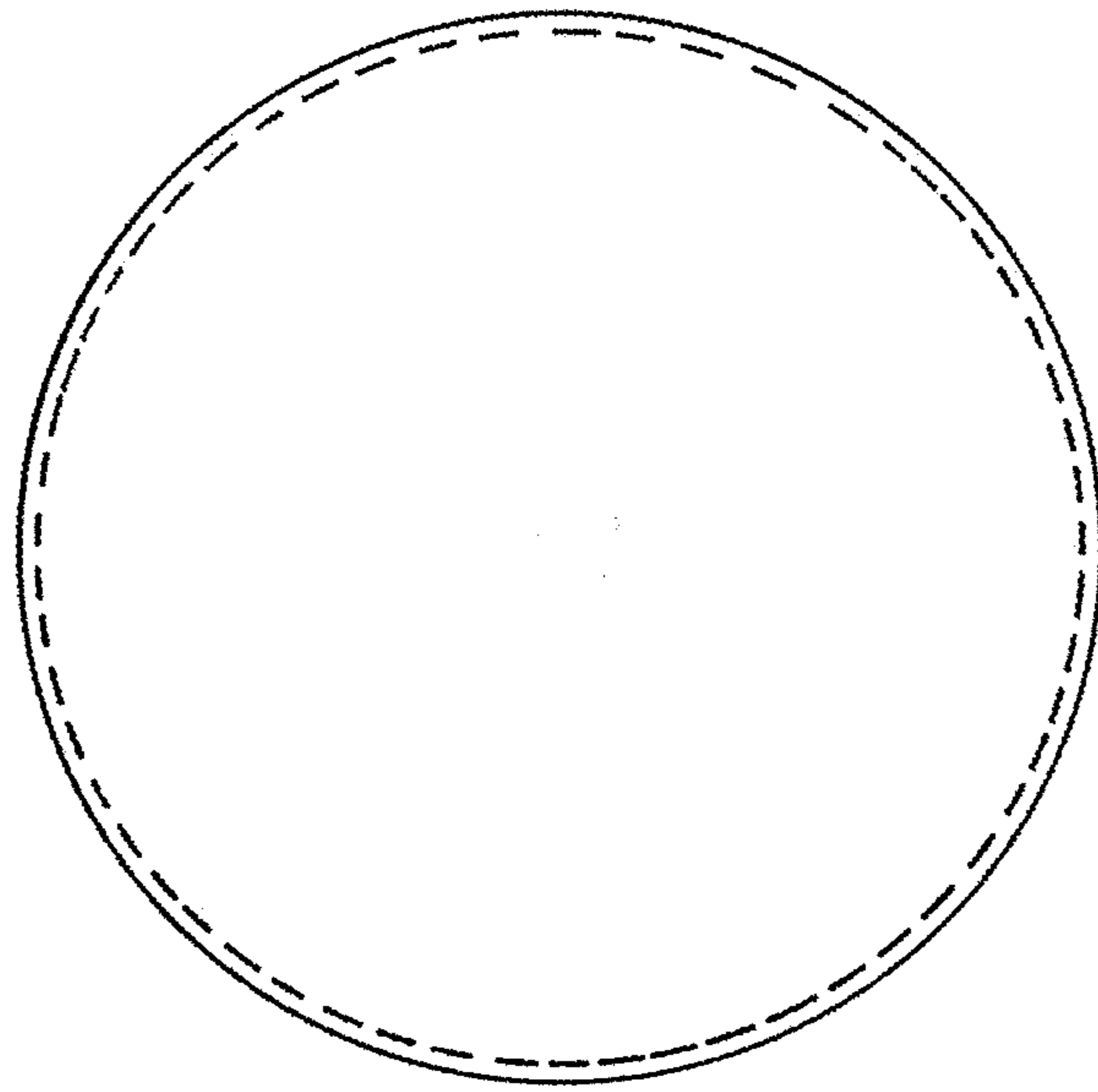
*FIG. 4*



*FIG. 5*



*FIG. 6*



*FIG. 7*